



US00D736949S

(12) **United States Design Patent**  
**Dar et al.**

(10) **Patent No.:** **US D736,949 S**  
(45) **Date of Patent:** **\*\* Aug. 18, 2015**

- (54) **MULTIMEDIA BOOTH**
- (71) Applicants: **Omer Dar**, Budapest (HU); **Avner Moratt**, Roswell, GA (US); **Itai Peer**, Roswell, GA (US)
- (72) Inventors: **Omer Dar**, Budapest (HU); **Avner Moratt**, Roswell, GA (US); **Itai Peer**, Roswell, GA (US)
- (73) Assignee: **IAO, LLC**, Roswell, GA (US)
- (\*\*) Term: **14 Years**
- (21) Appl. No.: **29/468,690**
- (22) Filed: **Oct. 2, 2013**
- (51) **LOC (10) Cl.** ..... **25-03**
- (52) **U.S. Cl.**  
USPC ..... **D25/16**
- (58) **Field of Classification Search**  
USPC ..... D25/1-35; 52/36.1, 169.6, 79.1-79.6, 52/80.1, 80.2, 90.1, 90.2, 91.1-91.3, 52/92.1-92.3, 93.2; D16/215  
See application file for complete search history.

D638,551	S	*	5/2011	Gann	.....	D25/16
D641,090	S	*	7/2011	Clark	.....	D25/16
D692,474	S	*	10/2013	Thorpe	.....	D16/215
2002/0060124	A1	*	5/2002	Thompson	.....	194/350
2009/0266005	A1	*	10/2009	Snel	.....	52/79.1
2010/0070341	A1	*	3/2010	Teles Da Silva et al.	.....	705/10
2010/0070413	A1	*	3/2010	Teles Da Silva et al.	.....	705/43
2010/0076893	A1	*	3/2010	Anselmo Pereira et al.	...	705/71
2010/0170424	A1	*	7/2010	Pinho	.....	109/50
2013/0160682	A1	*	6/2013	Tavares de Pinho	.....	109/36
2013/0185181	A1	*	7/2013	Rodrigues et al.	.....	705/35
2013/0233211	A1	*	9/2013	Tavares de Pinho	.....	109/51

\* cited by examiner

*Primary Examiner* — Ian Simmons  
*Assistant Examiner* — Samantha Q Lawrence  
(74) *Attorney, Agent, or Firm* — Eliezer IP

(57) **CLAIM**  
The ornamental design for a multimedia booth, as shown and described.

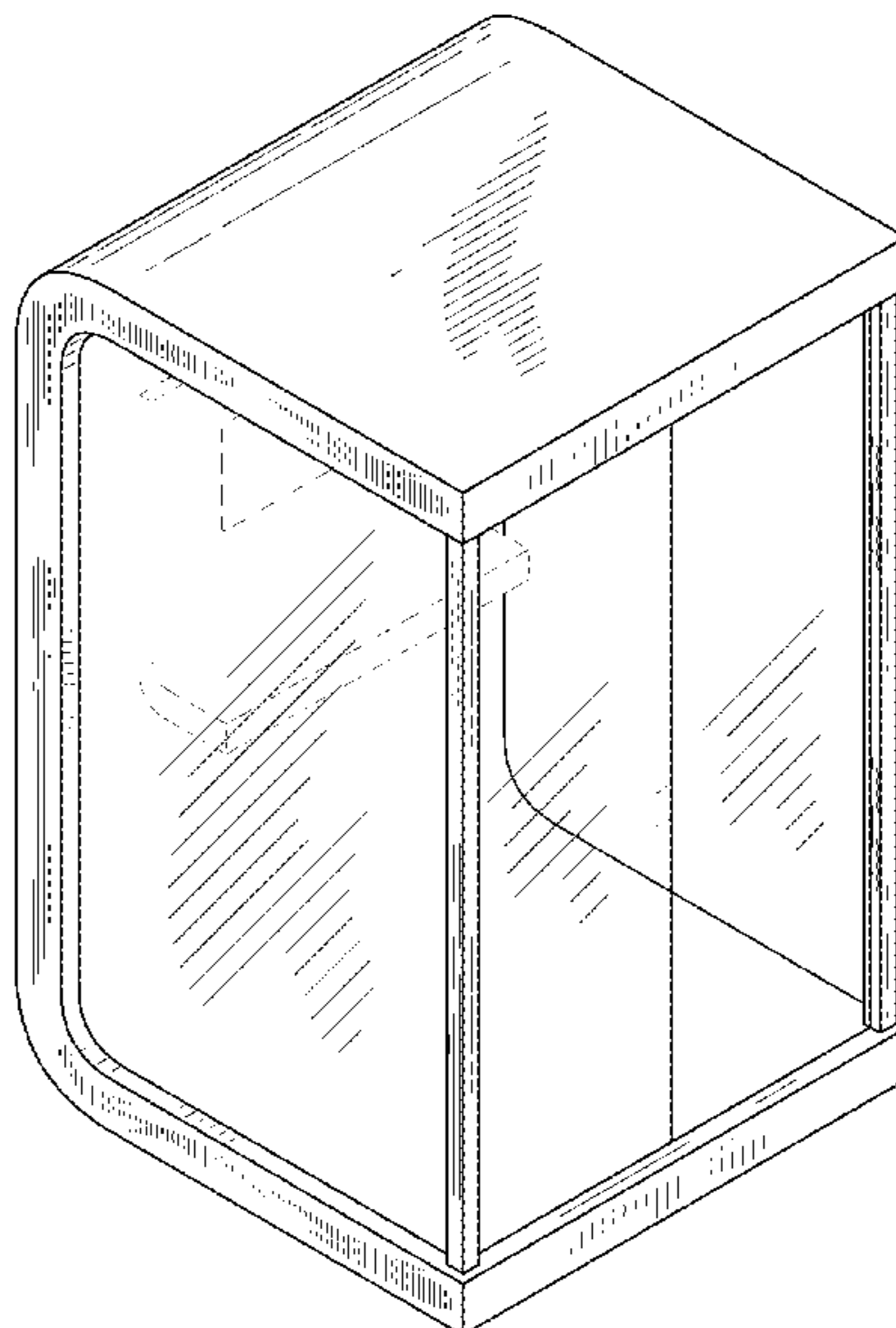
**DESCRIPTION**

This application is related to two co-filed applications for design patent, both entitled "Multimedia Booth," having U.S. Design patent application Ser. Nos. 29/468,681 and 29/468,699, invented by the same inventors and filed on even date herewith.

FIG. 1 is a perspective view of a multimedia booth showing my new design;  
FIG. 2 is a perspective view thereof;  
FIG. 3 is a right side view thereof;  
FIG. 4 is a left side view thereof;  
FIG. 5 is a front view thereof  
FIG. 6 is a back view thereof;  
FIG. 7 is a top view thereof; and,  
FIG. 8 is a bottom view thereof.  
The broken lines illustrate portions of the multimedia booth that do not form a part of the claimed design.

**1 Claim, 8 Drawing Sheets**

- (56) **References Cited**  
U.S. PATENT DOCUMENTS
- |           |    |   |         |                  |       |         |
|-----------|----|---|---------|------------------|-------|---------|
| 3,871,146 | A  | * | 3/1975  | Hamy             | ..... | 52/79.7 |
| 3,905,167 | A  | * | 9/1975  | Watkins et al.   | ..... | 52/79.4 |
| D245,706  | S  | * | 9/1977  | McAllister       | ..... | D25/16  |
| D248,776  | S  | * | 8/1978  | Kinnebrew, IV    | ..... | D25/18  |
| D285,005  | S  | * | 8/1986  | Italiane         | ..... | D25/16  |
| D286,098  | S  | * | 10/1986 | Prinzhorn        | ..... | D99/28  |
| D324,873  | S  | * | 3/1992  | Thayer           | ..... | D16/215 |
| D371,206  | S  | * | 6/1996  | Priestley et al. | ..... | D25/16  |
| 5,533,305 | A  | * | 7/1996  | Bielecki         | ..... | 52/79.1 |
| D487,807  | S  | * | 3/2004  | Graham           | ..... | D25/33  |
| 7,377,425 | B1 | * | 5/2008  | Ma et al.        | ..... | 235/379 |
| 7,413,118 | B2 | * | 8/2008  | Kim              | ..... | 235/379 |



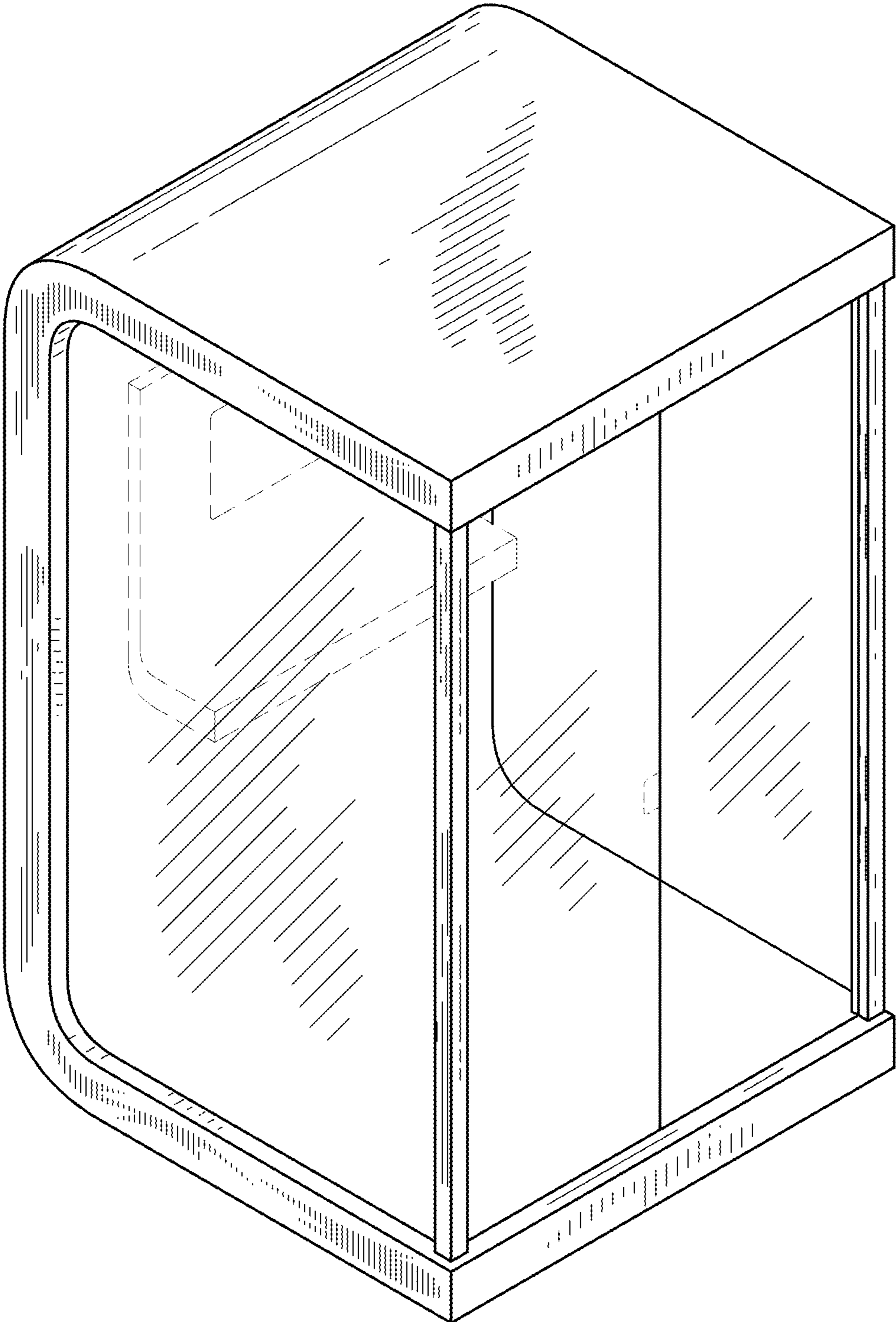


FIG. 1

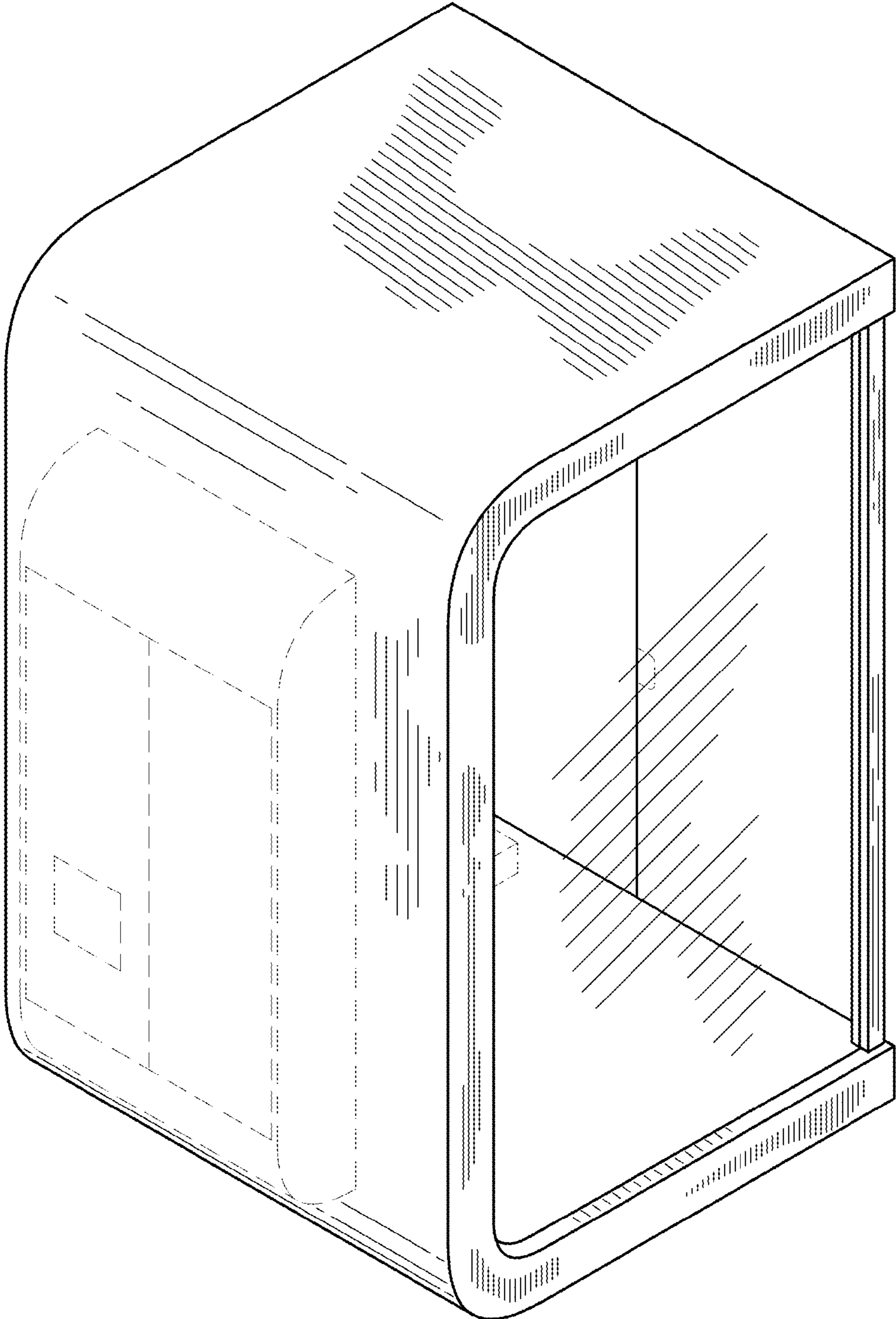


FIG. 2

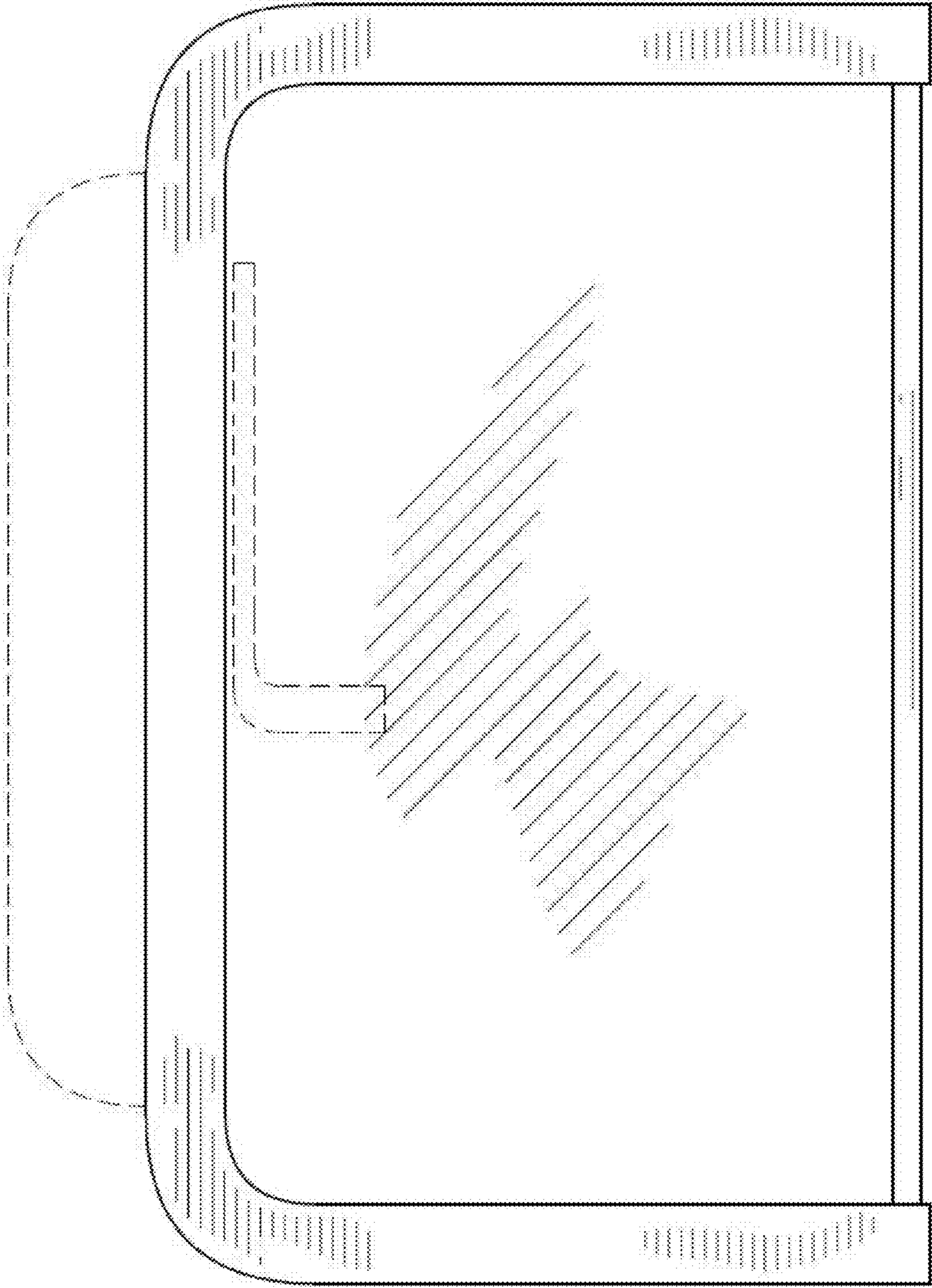


FIG. 3

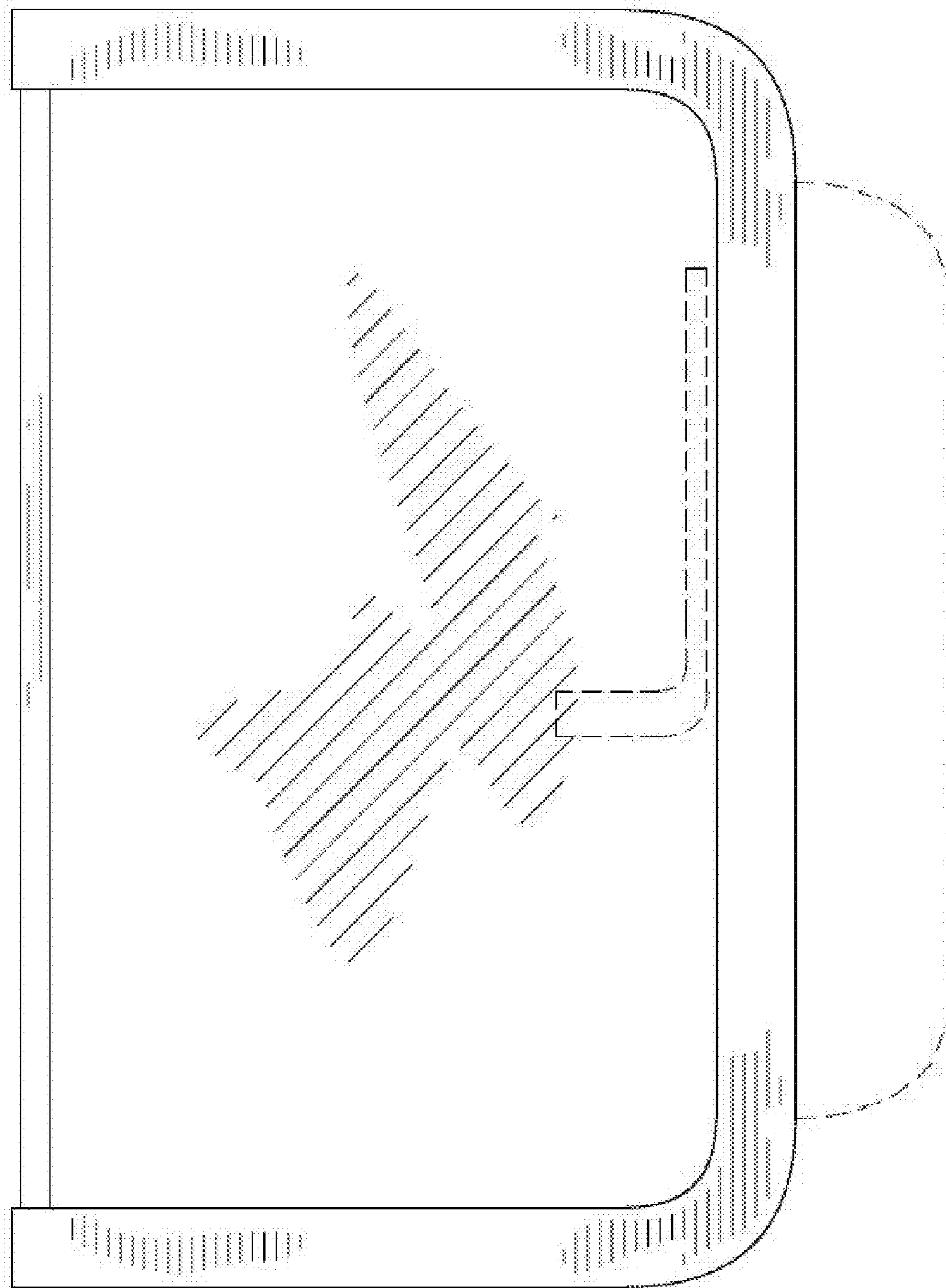


FIG. 4

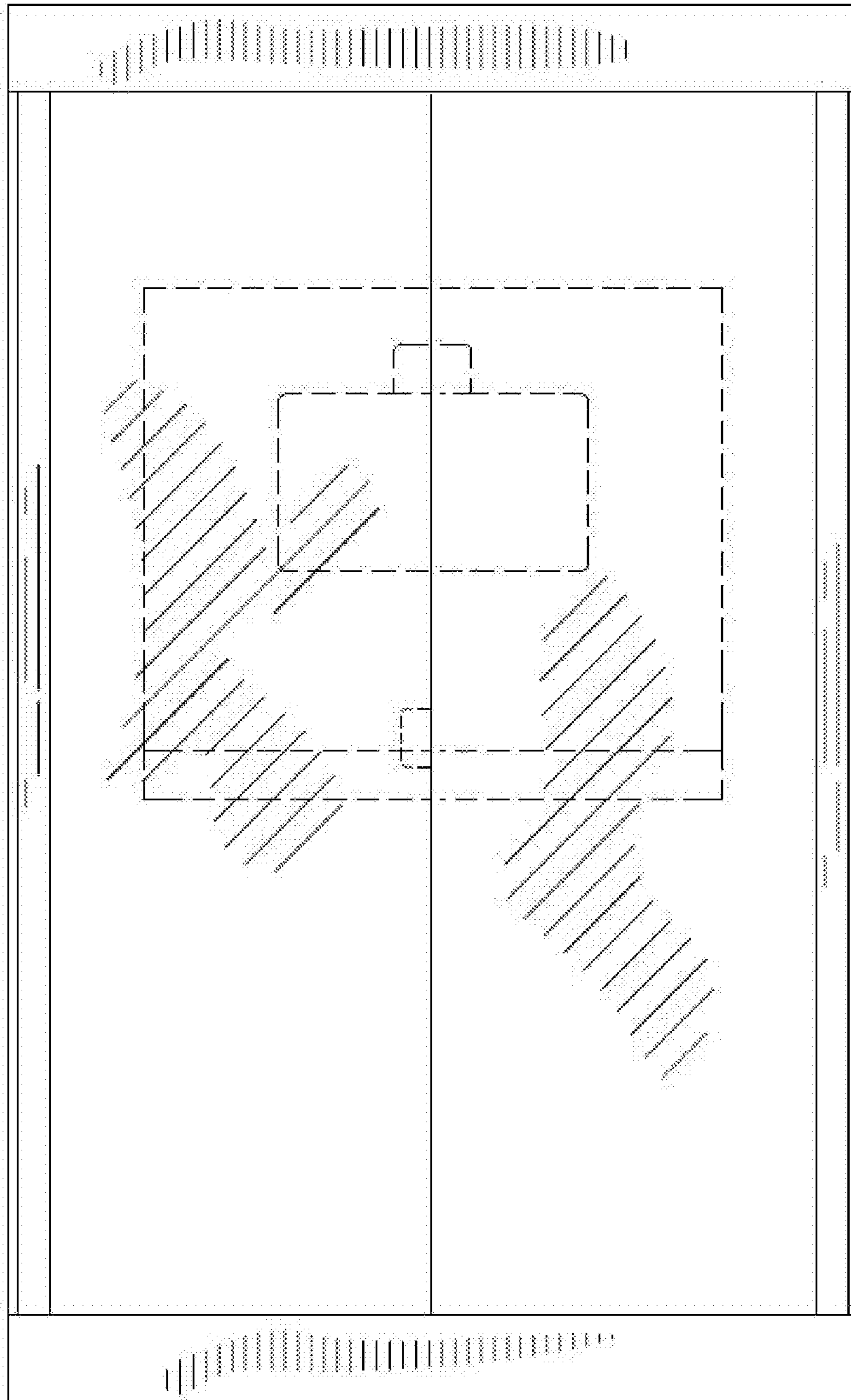


FIG. 5

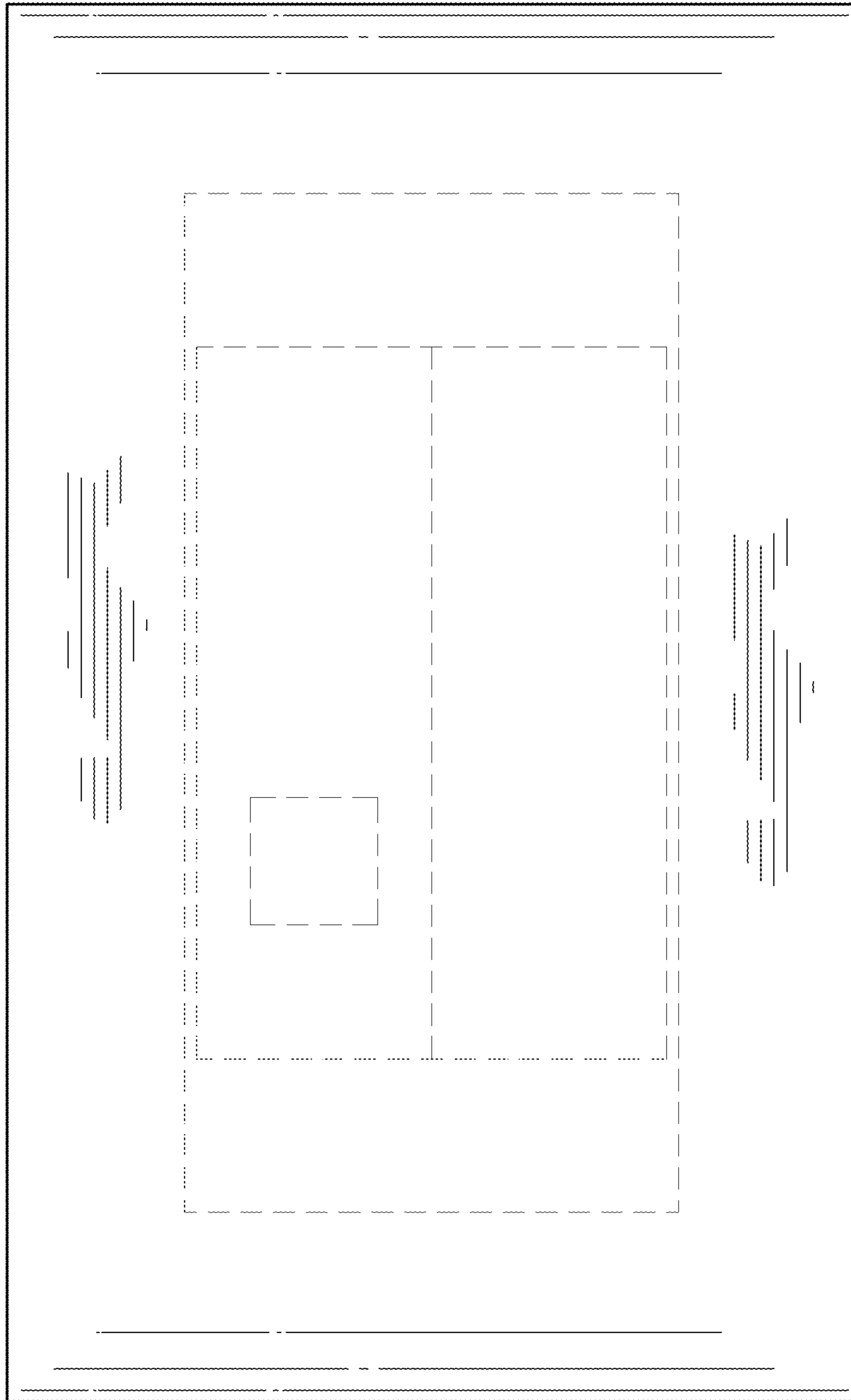


FIG. 6

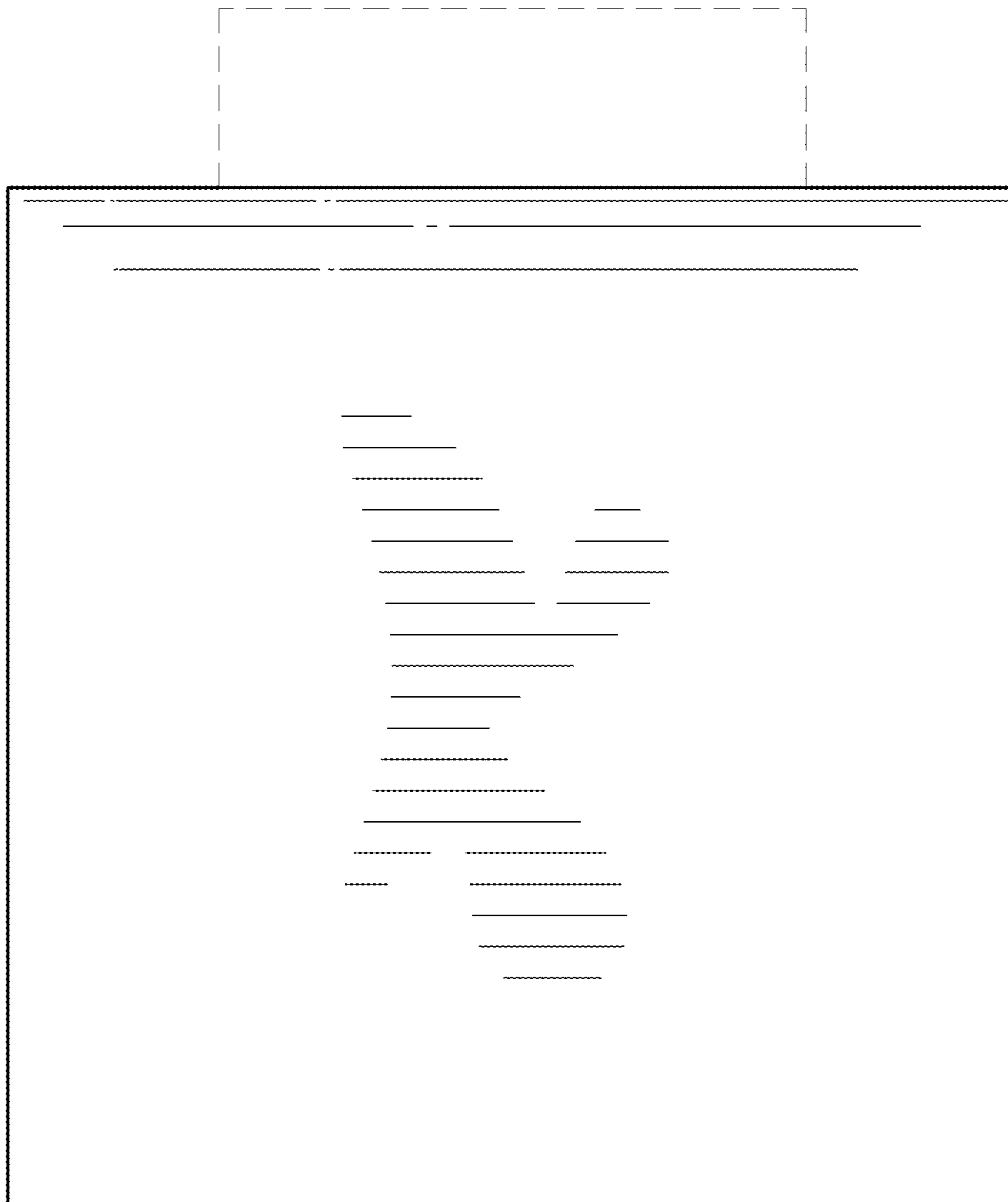


FIG. 7



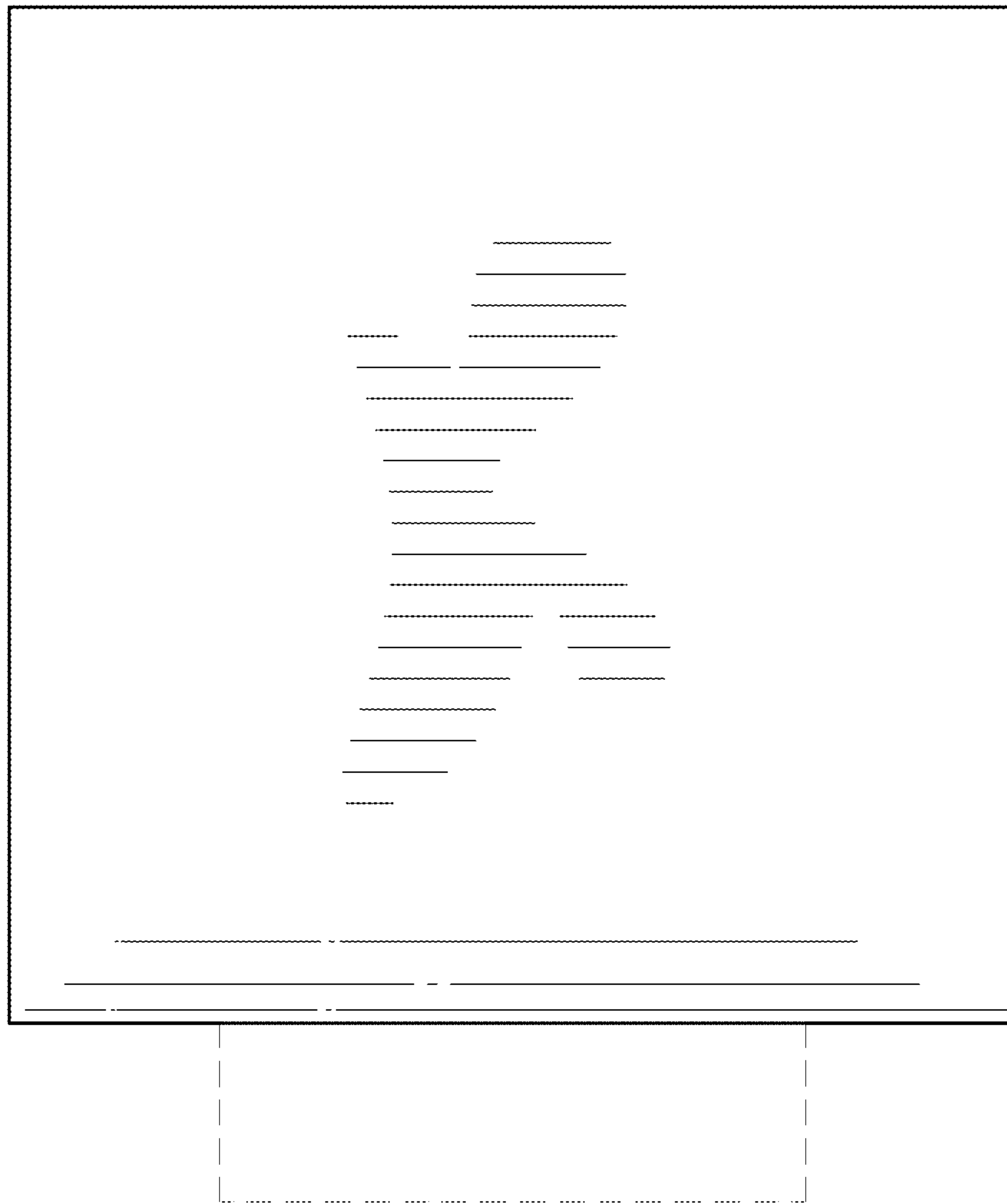


FIG. 8