



US00D736947S

(12) **United States Design Patent**
Webb

(10) **Patent No.:** **US D736,947 S**

(45) **Date of Patent:** **** Aug. 18, 2015**

(54) **UNDERWATER HOTEL**

(71) Applicant: **Michael Anthony Webb**, Key West, FL
(US)

(72) Inventor: **Michael Anthony Webb**, Key West, FL
(US)

(**) Term: **14 Years**

(21) Appl. No.: **29/484,418**

(22) Filed: **Mar. 10, 2014**

(51) **LOC (10) Cl.** **25-01**

(52) **U.S. Cl.**
USPC **D25/4**

(58) **Field of Classification Search**
USPC D25/1, 3-4, 16, 31, 33
CPC A47B 220/0073; A47B 2083/006;
E04B 1/34; G09F 27/00; E04H 1/205; E04H
1/12; E04H 1/1222; E04H 1/125; E04H
1/1205

See application file for complete search history.

(56) **References Cited**

U.S. PATENT DOCUMENTS

D212,844 S *	12/1968	Mullen	D25/4
4,716,854 A *	1/1988	Bourdon	119/223
4,798,169 A *	1/1989	Rosen et al.	119/223
D362,508 S *	9/1995	Ericsson	D25/19

* cited by examiner

Primary Examiner — Robert Delehanty

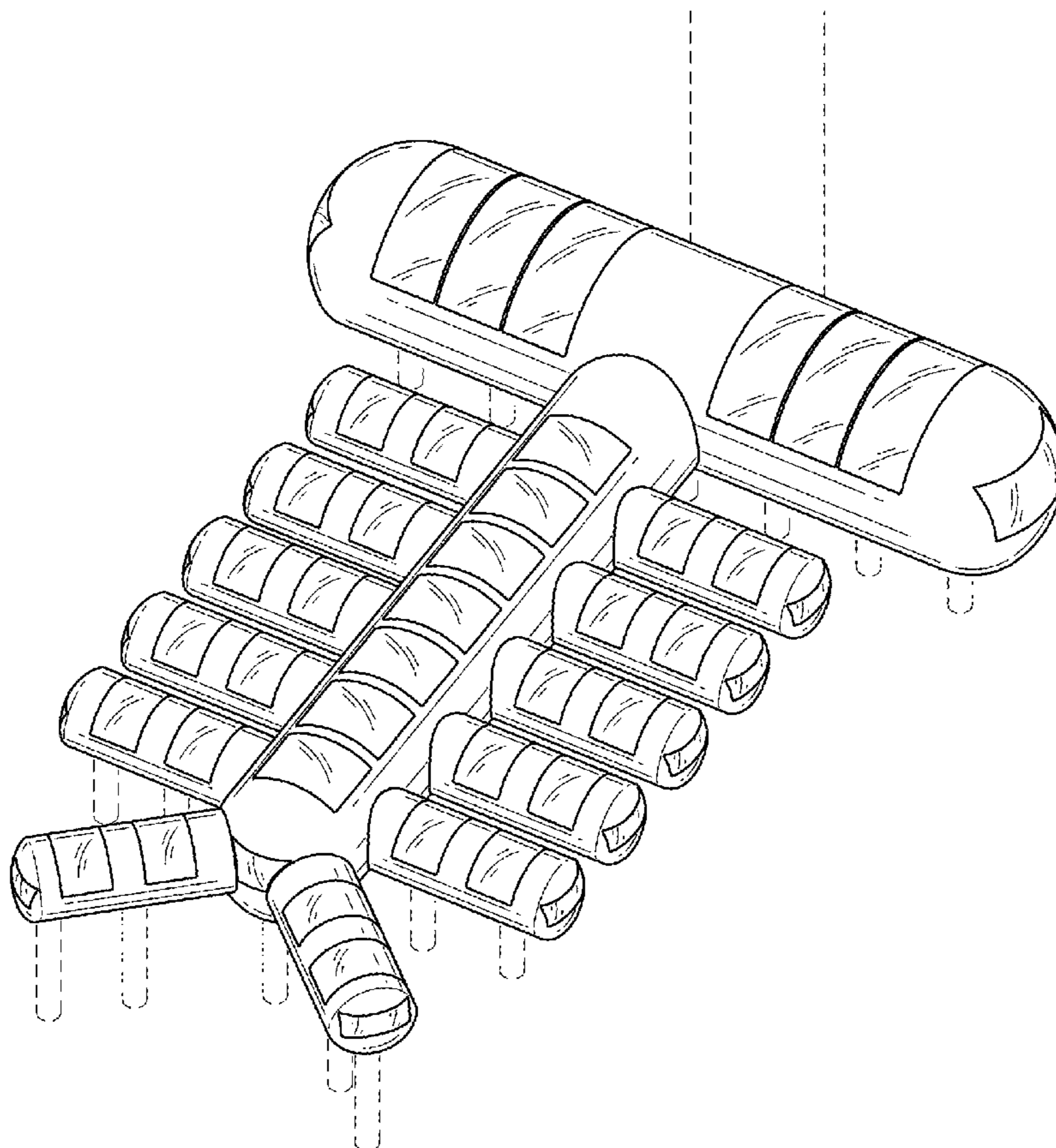
(57) **CLAIM**

The ornamental design for an underwater hotel, as shown and described.

DESCRIPTION

FIG. 1 is a top perspective view of an underwater hotel;
FIG. 2 is a front elevation view thereof;
FIG. 3 is a rear elevation view thereof;
FIG. 4 is a left side elevation view thereof, the right side
elevation view being a mirror image thereof;
FIG. 5 is a top plan view thereof; and,
FIG. 6 is a bottom plan view thereof.
The broken lines shown in the drawings illustrate portions of
the underwater hotel that form no part of the claimed design.

1 Claim, 5 Drawing Sheets



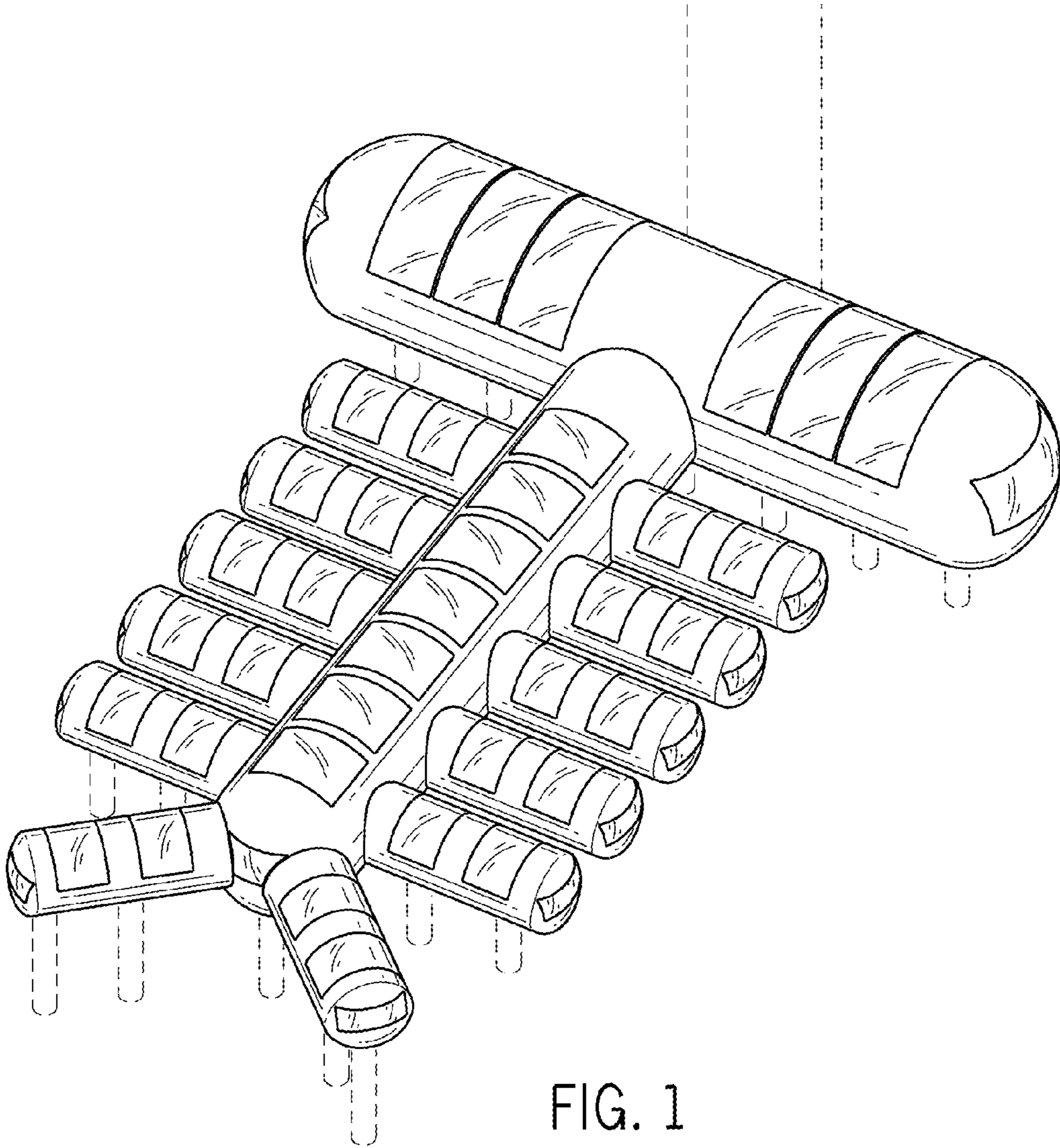


FIG. 1

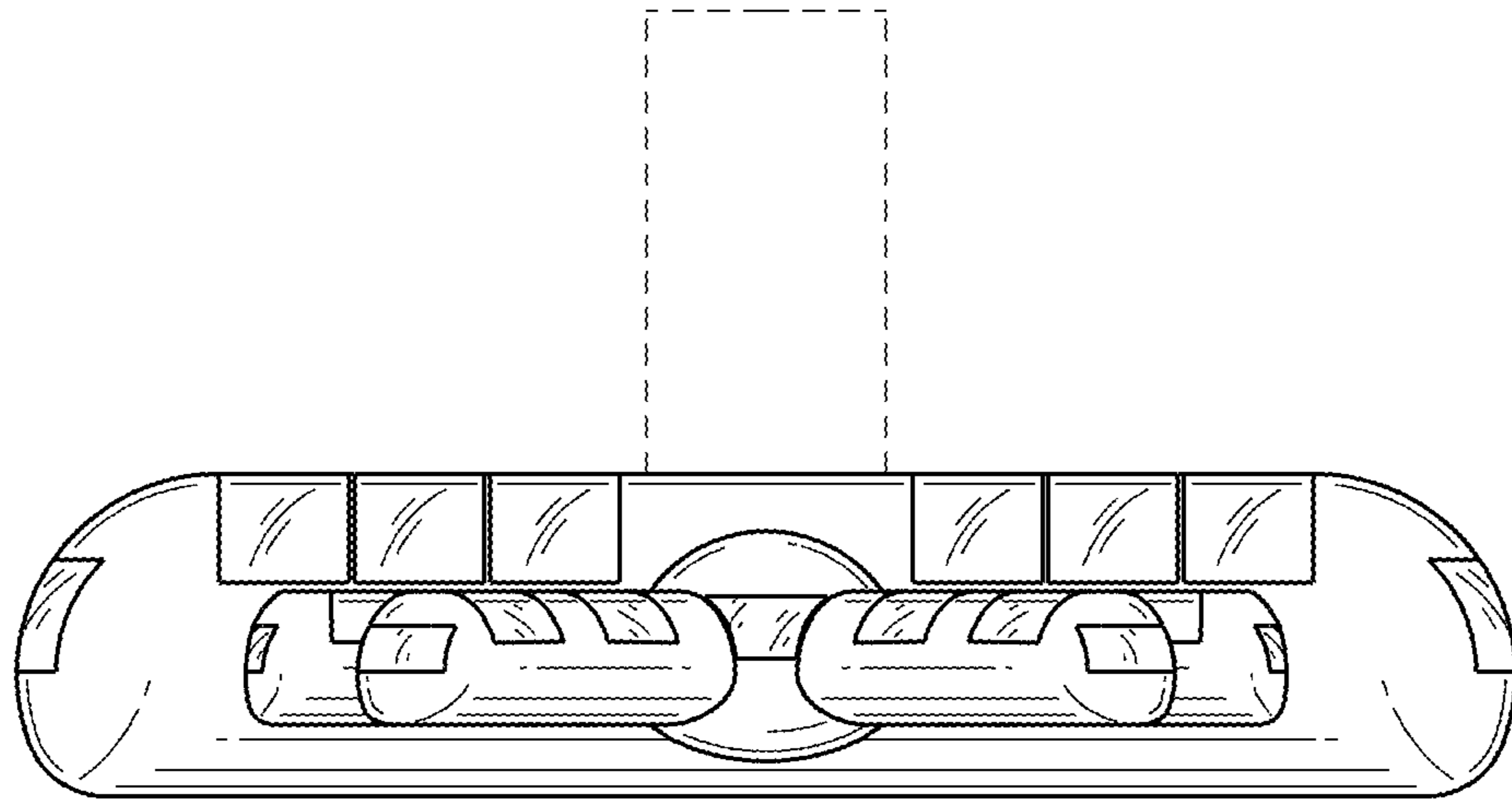


FIG. 2

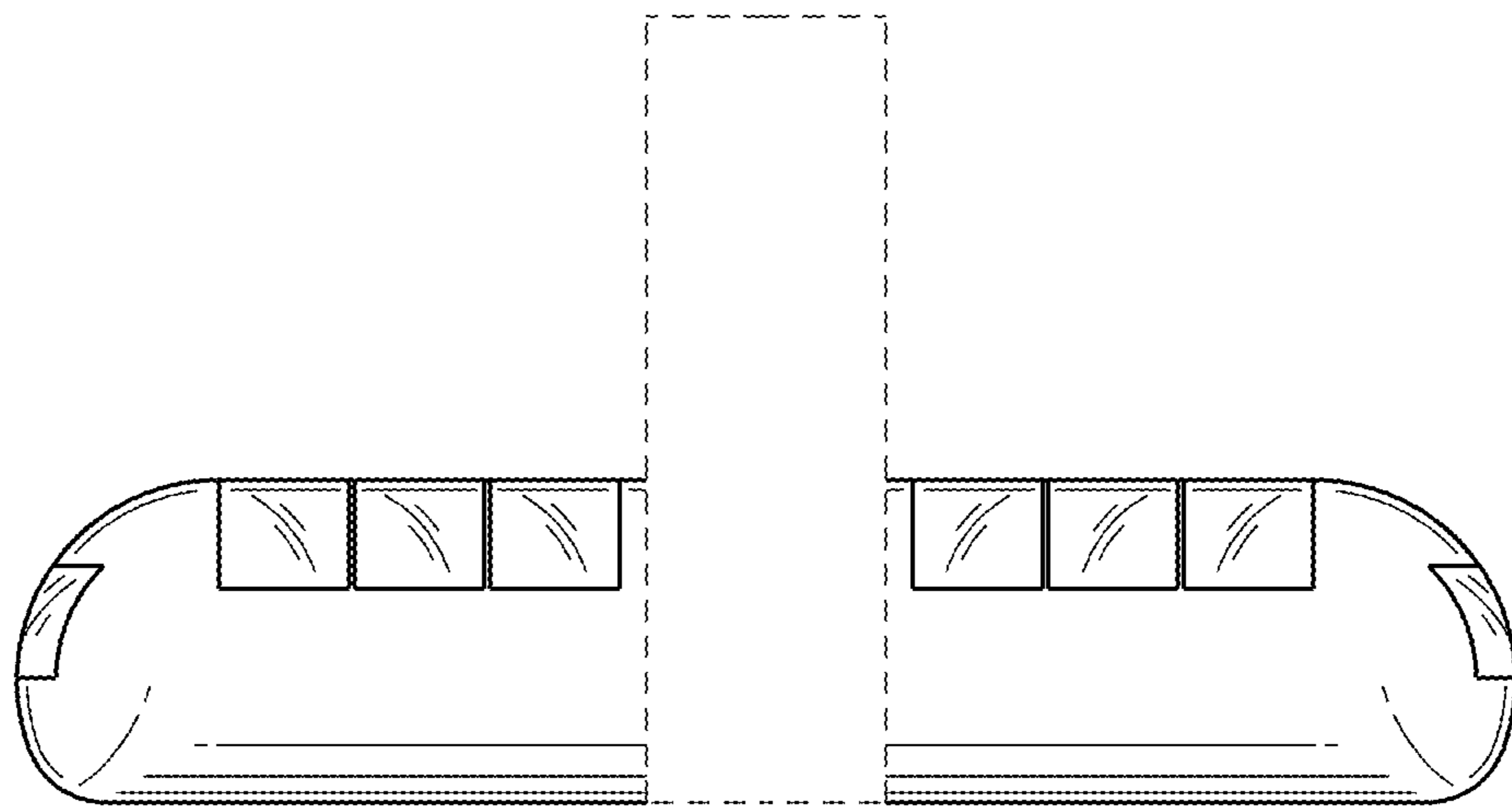


FIG. 3

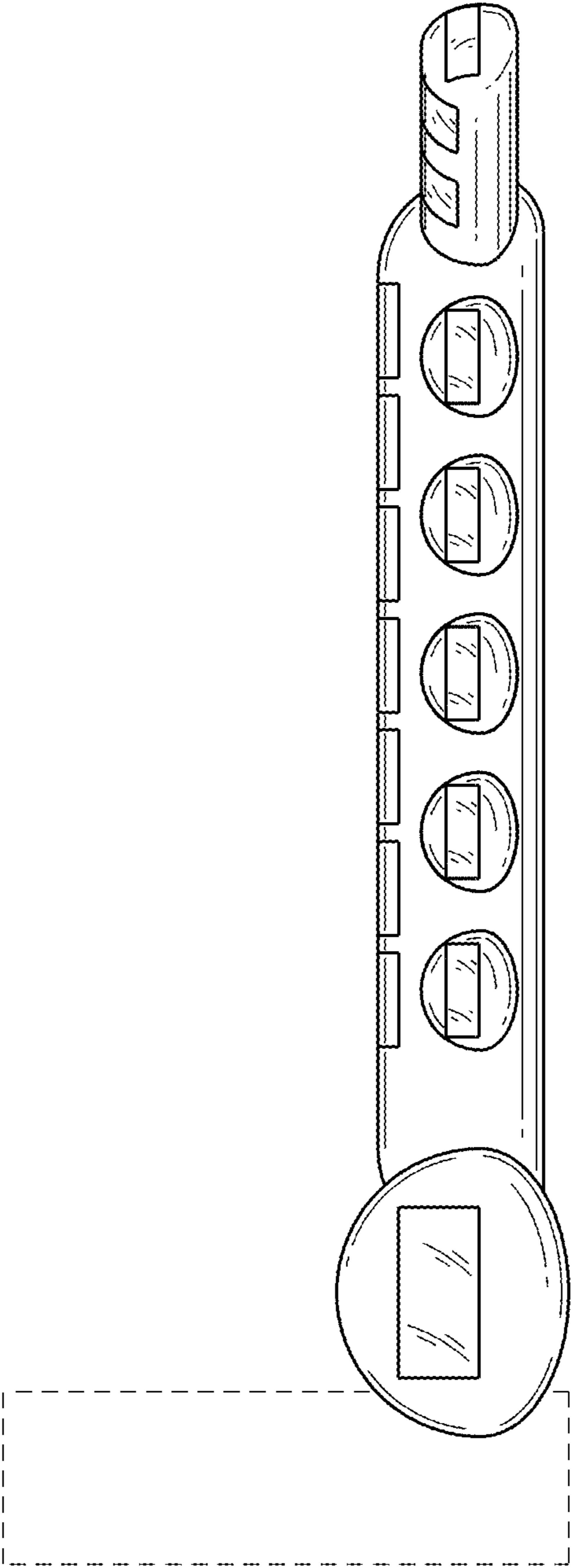


FIG. 4

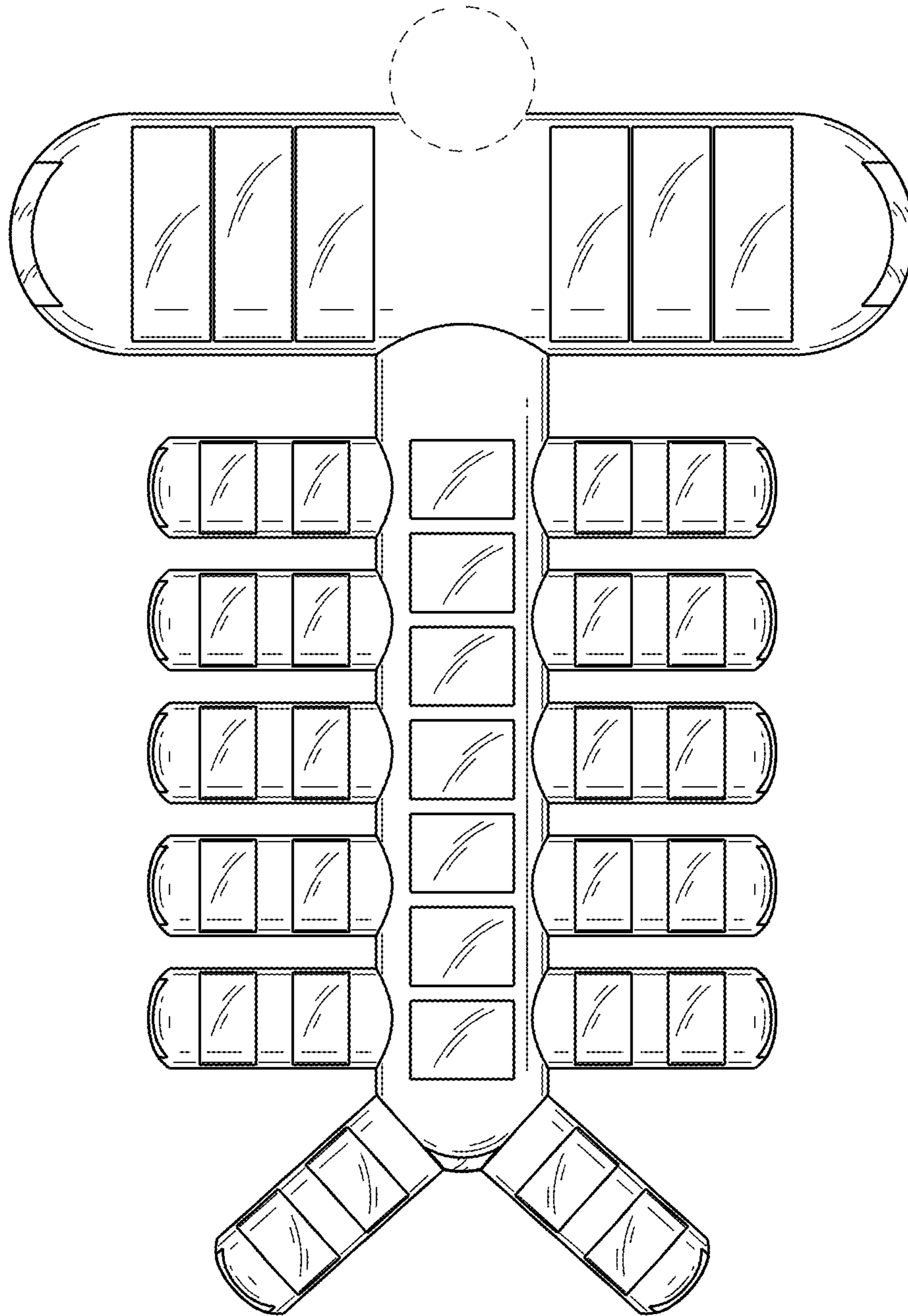


FIG. 5

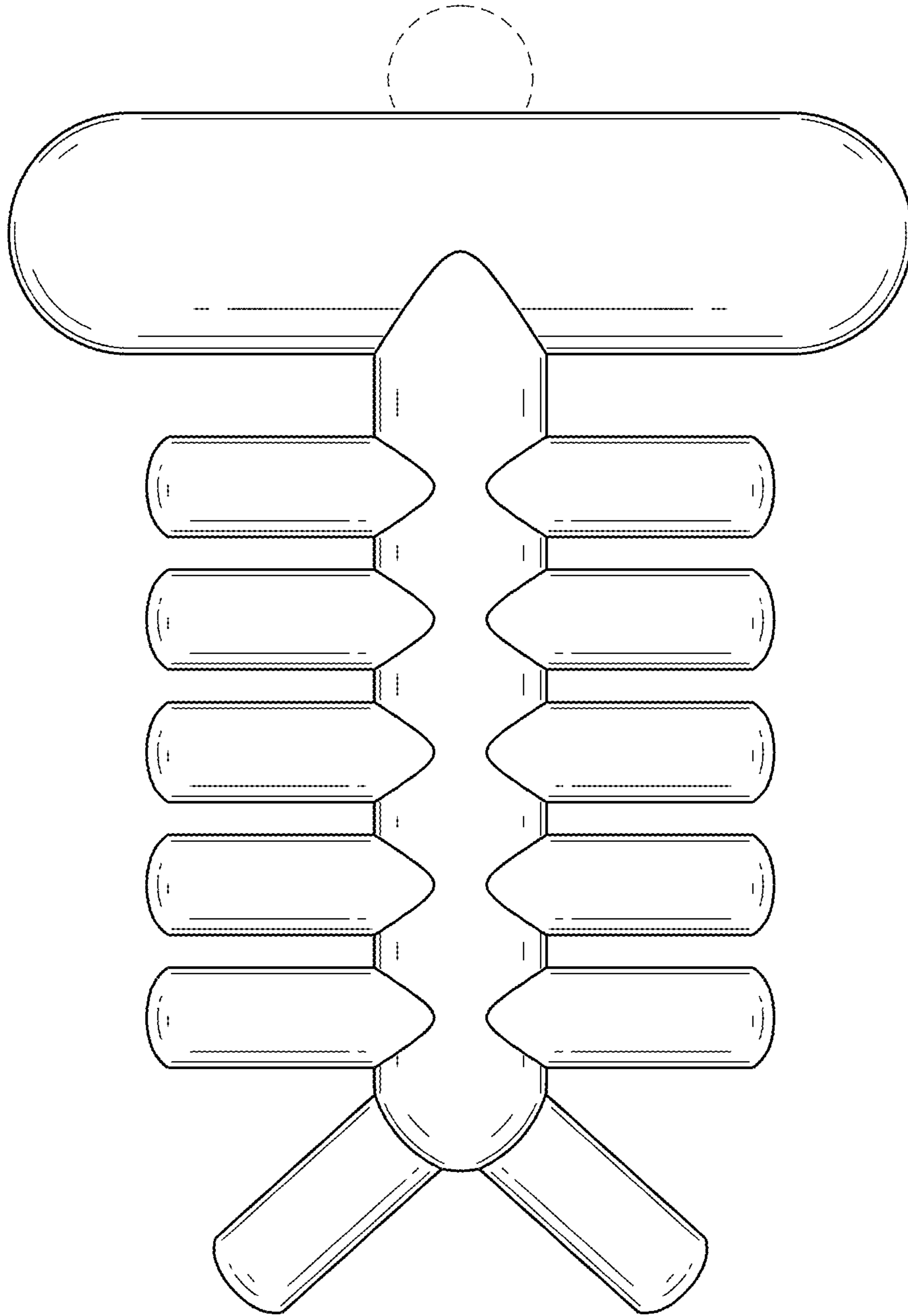


FIG. 6