



US00D736945S

(12) **United States Design Patent**
Singh

(10) **Patent No.:** **US D736,945 S**
(45) **Date of Patent:** **** Aug. 18, 2015**

(54) **SLEEP APPLIANCE**

(71) Applicant: **Gurdev Dave Singh**, Portland, OR (US)

(72) Inventor: **Gurdev Dave Singh**, Portland, OR (US)

(**) Term: **14 Years**

(21) Appl. No.: **29/510,777**

(22) Filed: **Dec. 3, 2014**

Related U.S. Application Data

(62) Division of application No. 29/450,525, filed on Mar. 19, 2013.

(51) **LOC (10) Cl.** **24-00**

(52) **U.S. Cl.**
USPC **D24/231**

(58) **Field of Classification Search**
USPC D24/231, 184, 135, 155-156, 176-178,
D24/180-182; D8/394, 354, 370; 128/861,
128/200.26, 860, 848, 859; 433/2, 5-8, 11,
433/18-24, 173, 219
CPC . A63B 71/085; A61M 16/0488; A61F 5/566;
A61C 7/08; A61C 7/00; A61C 7/30; A61C
7/36
See application file for complete search history.

(56) **References Cited**

U.S. PATENT DOCUMENTS

4,976,275	A *	12/1990	Dixon	128/860
D322,674	S *	12/1991	Bergersen	D24/180
D342,318	S *	12/1993	Moffat	D24/180
D354,569	S *	1/1995	Hilgers	D24/180
D538,434	S *	3/2007	White	D24/180
D568,994	S *	5/2008	Kumar et al.	D24/135
D569,519	S *	5/2008	White	D24/180

D570,486	S *	6/2008	White	D24/180
D582,557	S *	12/2008	Inman	D24/180
7,581,542	B2 *	9/2009	Abramson	128/848
7,832,404	B2 *	11/2010	Jansheski	128/859
D636,084	S *	4/2011	Troester	D24/180
D639,439	S *	6/2011	Raad	D24/180
D639,440	S *	6/2011	Raad	D24/180
D641,478	S *	7/2011	Belvedere et al.	D24/180
D650,483	S *	12/2011	Roggenkamp	D24/184
D650,655	S *	12/2011	Wester	D8/354
8,100,131	B2 *	1/2012	Swann et al.	128/861
8,302,597	B2 *	11/2012	Beely et al.	128/200.26
D685,098	S *	6/2013	Tompkins	D24/180
D687,291	S *	8/2013	Hendricks	D8/394
D699,556	S *	2/2014	Hendricks	D8/394
D704,843	S *	5/2014	Singh	D24/180
2007/0264605	A1 *	11/2007	Belfor et al.	433/6

* cited by examiner

Primary Examiner — Holly Baynham

Assistant Examiner — Rhea Shields

(74) *Attorney, Agent, or Firm* — Peter A Haas Esquire LLC

(57) **CLAIM**

The ornamental design for a sleep appliance, as shown and described.

DESCRIPTION

FIG. 1 is a top front perspective view of a sleep appliance.

FIG. 2 is a top view thereof.

FIG. 3 is a bottom view thereof.

FIG. 4 is a front view thereof.

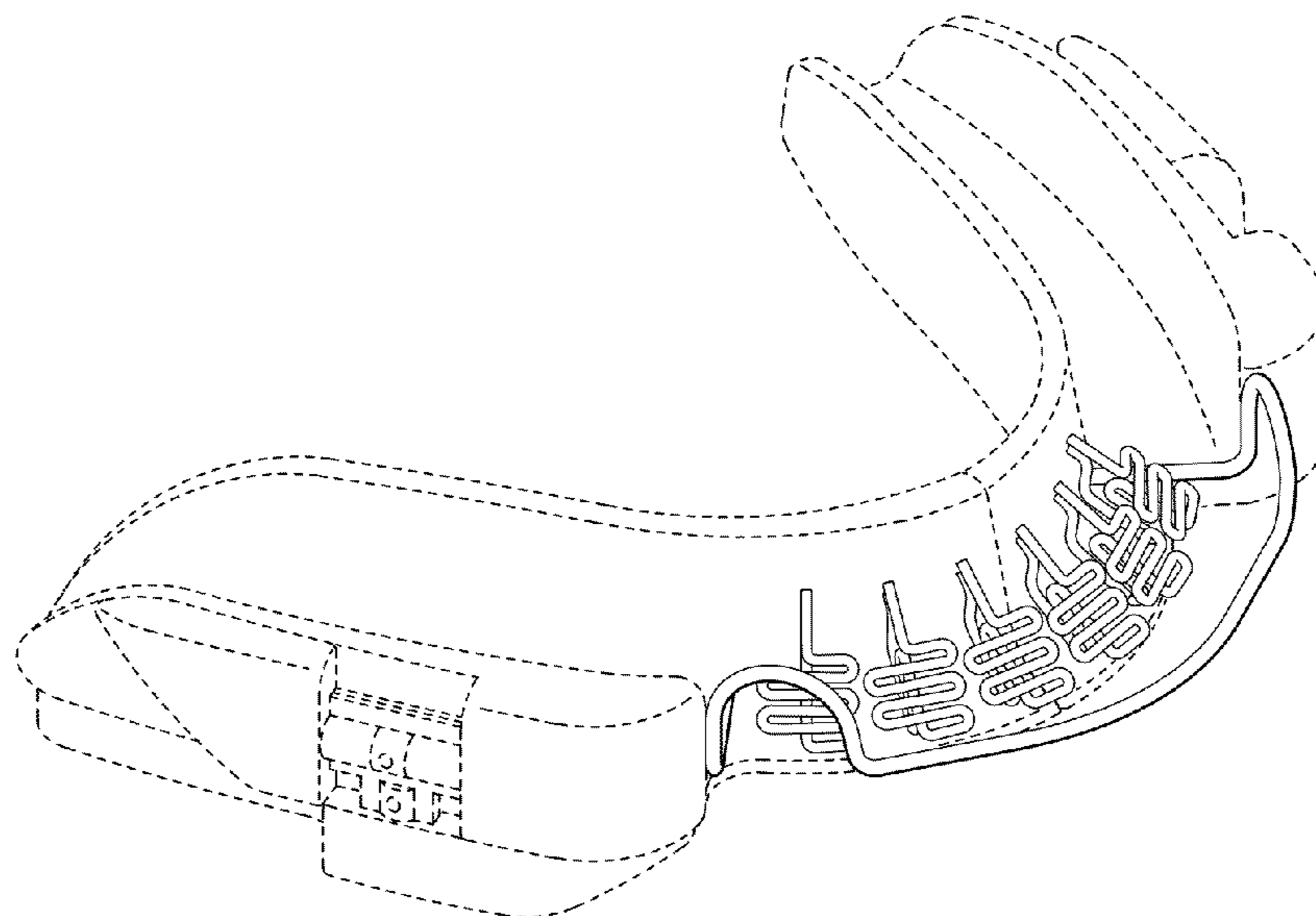
FIG. 5 is a rear view thereof.

FIG. 6 is a left side view thereof; and,

FIG. 7 is a right side view thereof.

In the drawings, the broken lines are for the purpose of illustrating environment only and form no part of the claimed design.

1 Claim, 3 Drawing Sheets



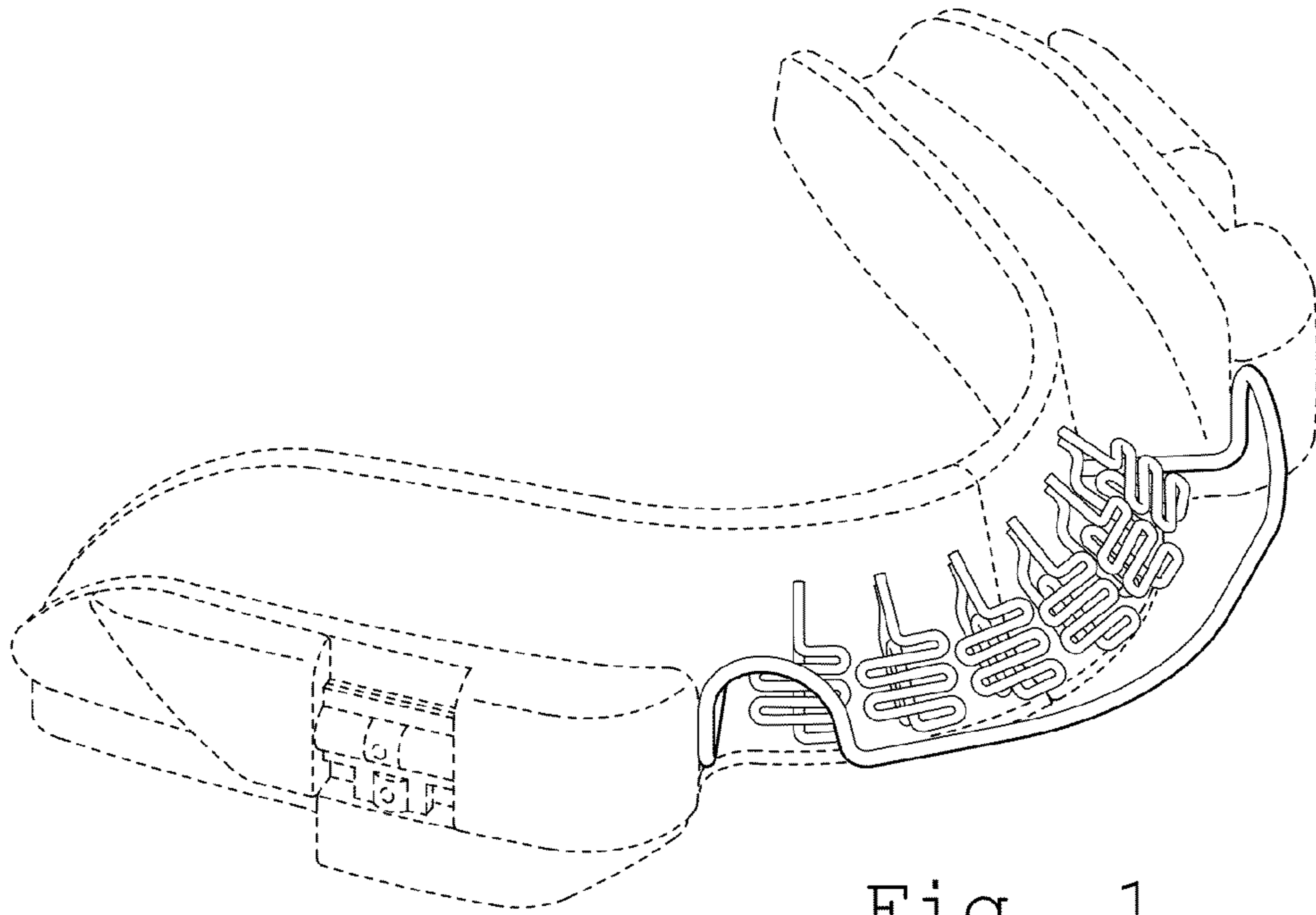


Fig. 1

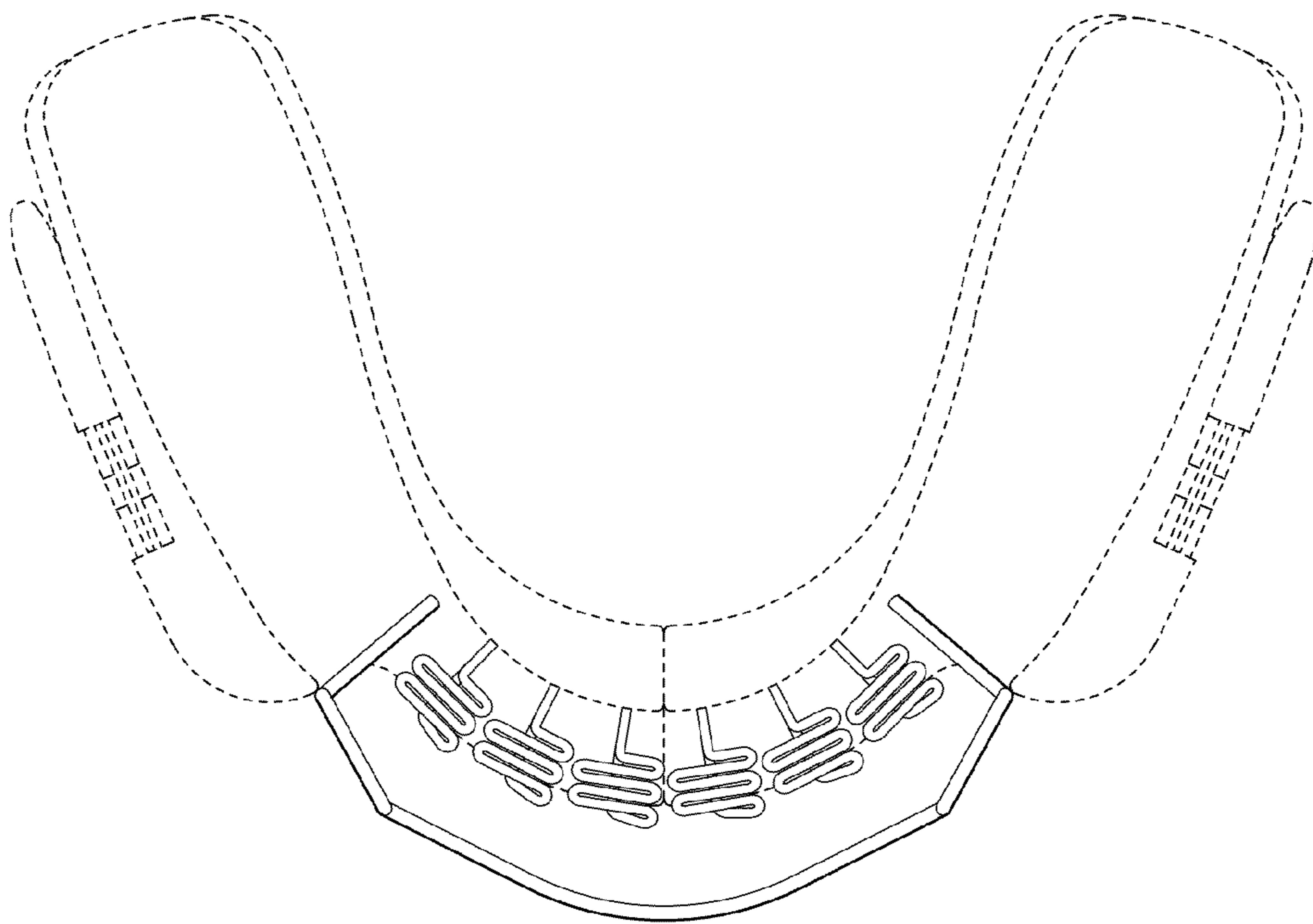


Fig. 2

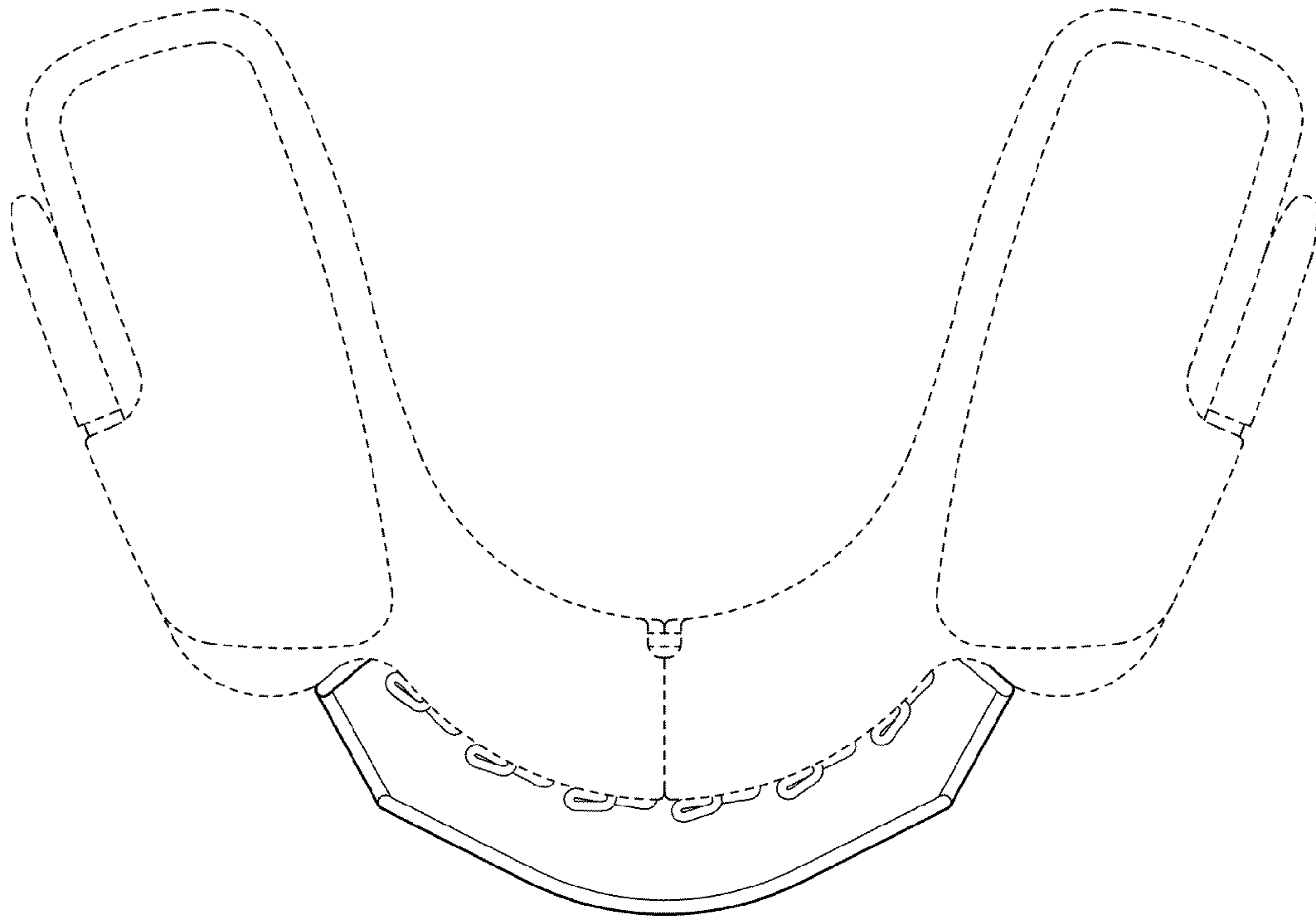


Fig. 3

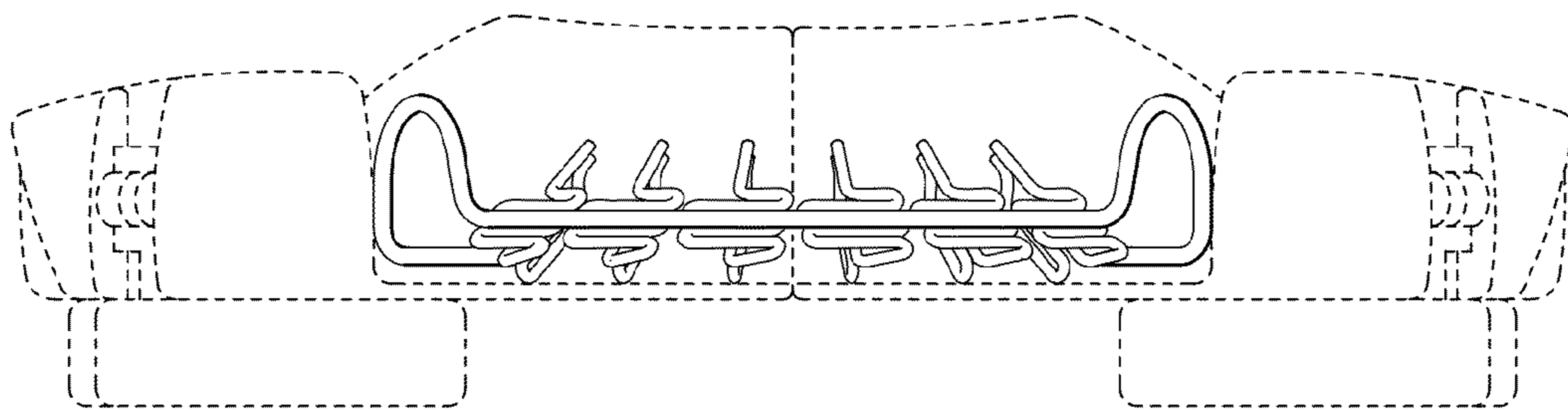


Fig. 4

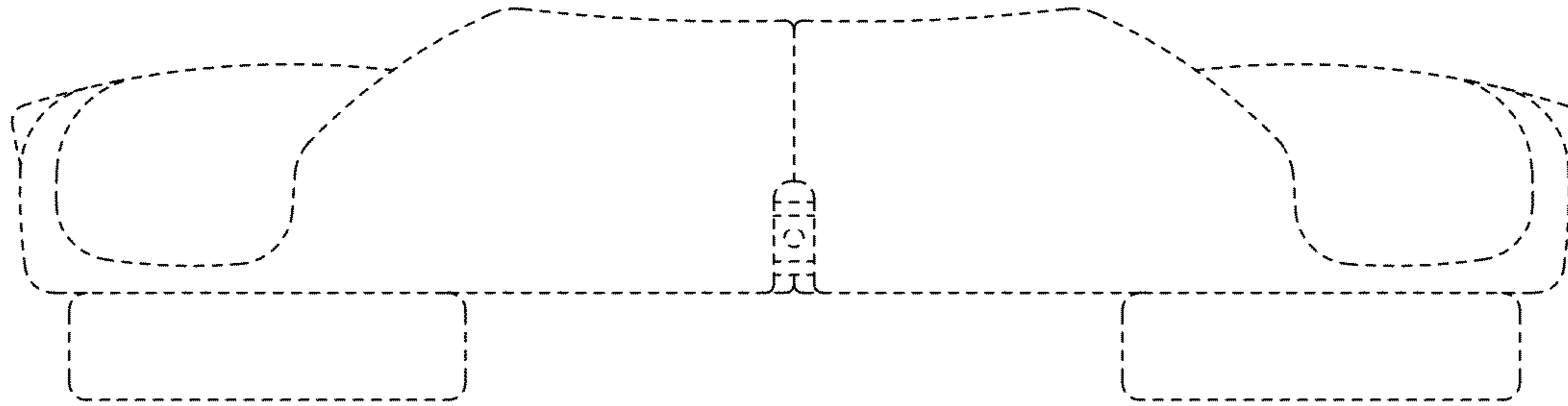


Fig. 5

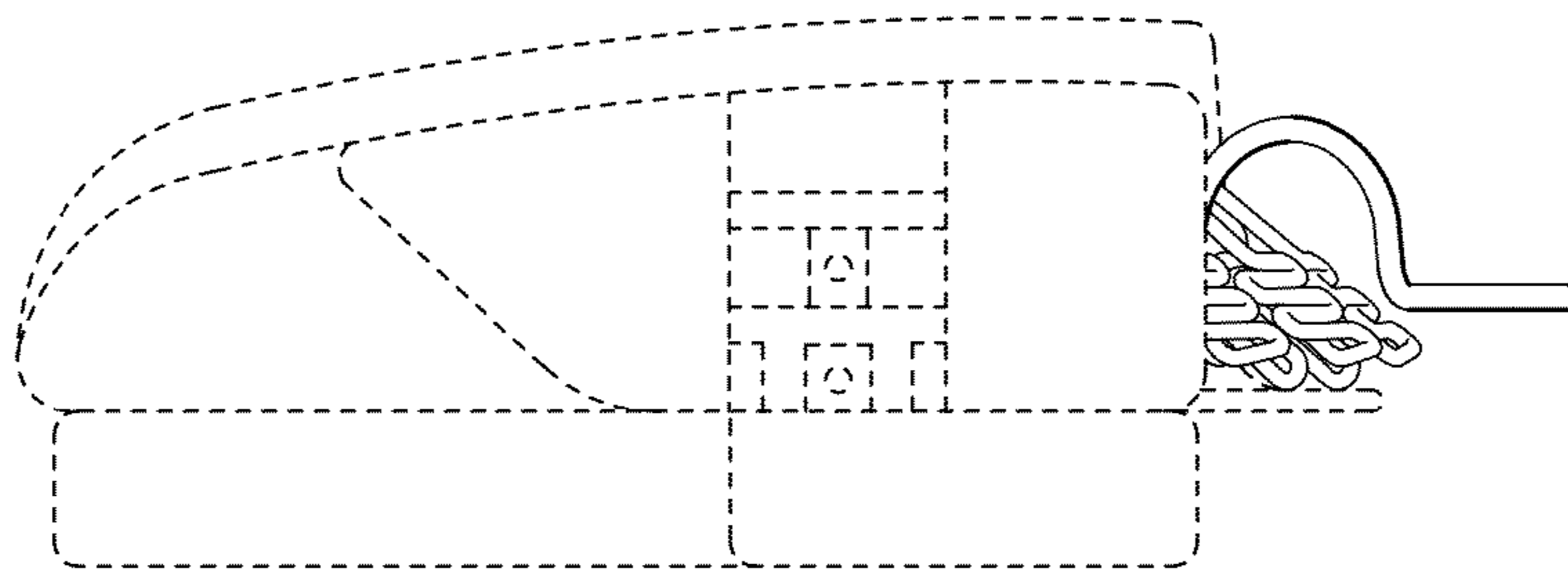


Fig. 6

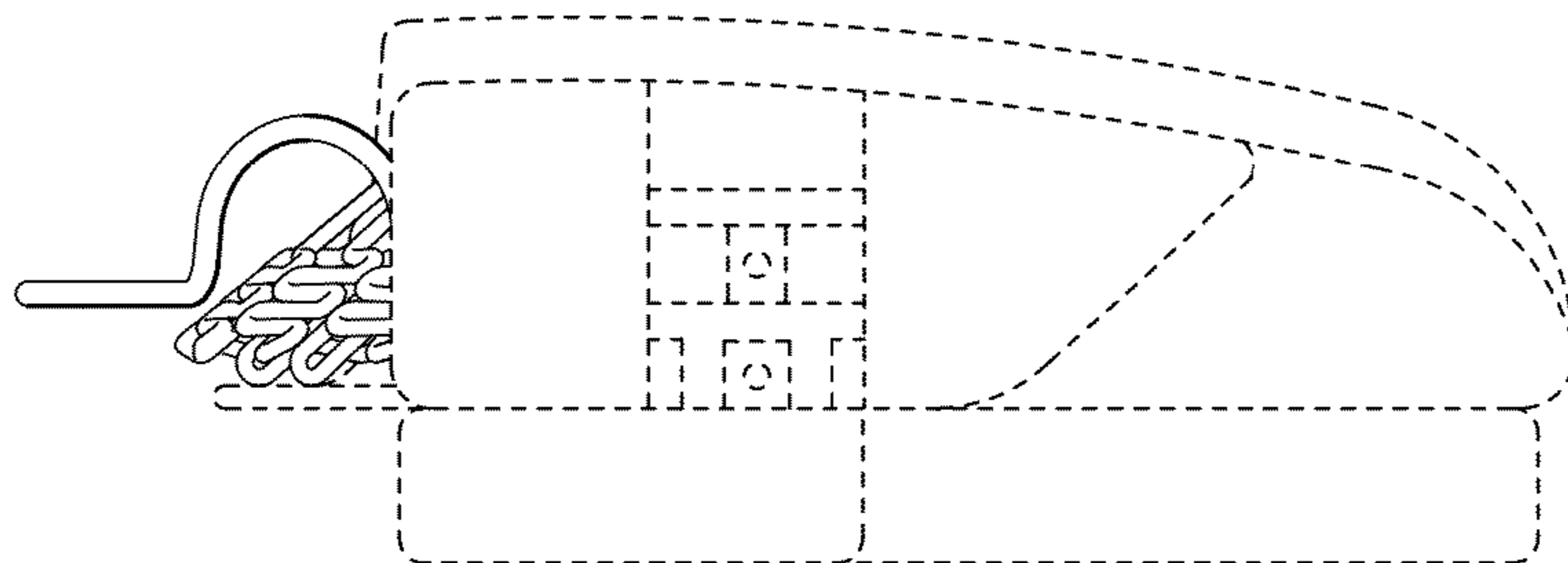


Fig. 7