



US00D736944S

(12) **United States Design Patent**
Hakoda

(10) **Patent No.:** **US D736,944 S**

(45) **Date of Patent:** **** Aug. 18, 2015**

(54) **BIOLOGICAL SAMPLE TESTING APPARATUS**

D630,535 S * 1/2011 Hoshino D10/81
D693,939 S * 11/2013 Iseki D24/216
D704,348 S * 5/2014 Shibata et al. D24/216

(71) Applicant: **Sony Corporation**, Tokyo (JP)

FOREIGN PATENT DOCUMENTS

(72) Inventor: **Katsuhisa Hakoda**, Kanagawa (JP)

JP D1346684 S 12/2008
JP D1346685 S 12/2008
JP D1361547 S 6/2009
JP D1361548 S 6/2009
JP D1365693 S 7/2009

(73) Assignee: **Sony Corporation**, Tokyo (JP)

(**) Term: **14 Years**

* cited by examiner

(21) Appl. No.: **29/493,819**

Primary Examiner — Anhdao Doan

(22) Filed: **Jun. 13, 2014**

(74) *Attorney, Agent, or Firm* — Fishman Stewart Yamaguchi PLLC

(30) **Foreign Application Priority Data**

Feb. 13, 2014 (JP) 2014-002852

(51) **LOC (10) Cl.** **24-01**

(52) **U.S. Cl.**
USPC **D24/216**

(58) **Field of Classification Search**
USPC D24/216, 231, 232, 186, 169, 107, 111;
D10/81; 422/500, 62-67; 435/287.1,
435/287.3; 436/43, 47, 46
CPC G01N 1/28; G01N 33/50; G01N 35/025
See application file for complete search history.

(57) **CLAIM**

The ornamental design for a biological sample testing apparatus, as shown and described.

DESCRIPTION

FIG. 1 is a perspective view of a biological sample testing apparatus showing my new design;
FIG. 2 is a front elevational view thereof;
FIG. 3 is a left side elevational view thereof;
FIG. 4 is a right side elevational view thereof; and
FIG. 5 is a top plan view thereof.
FIG. 6 is a perspective view thereof wherein the cover is in an open position;
FIG. 7 is a front elevational view thereof;
FIG. 8 is a rear elevational view thereof;
FIG. 9 is a left side elevational view thereof;
FIG. 10 is a right side elevational view thereof; and
FIG. 11 is a top plan view thereof.
Portions shown as broken lines illustrate unclaimed portions of the biological sample testing apparatus and form no part of the claimed design. The dot-dash broken lines define the boundaries of, but not included in, the claimed design.

(56) **References Cited**

U.S. PATENT DOCUMENTS

D356,967 S * 4/1995 Takekoshi et al. D10/81
D452,852 S 1/2002 Hyogo et al.
D470,832 S 2/2003 Oikawa
D512,045 S 11/2005 Motoishi
D521,476 S 5/2006 Hisatsune
D535,403 S * 1/2007 Isozaki et al. D24/232
D547,298 S 7/2007 Hibino
D571,756 S 6/2008 Sugiyama et al.
D588,276 S * 3/2009 Isozaki et al. D24/232

1 Claim, 11 Drawing Sheets

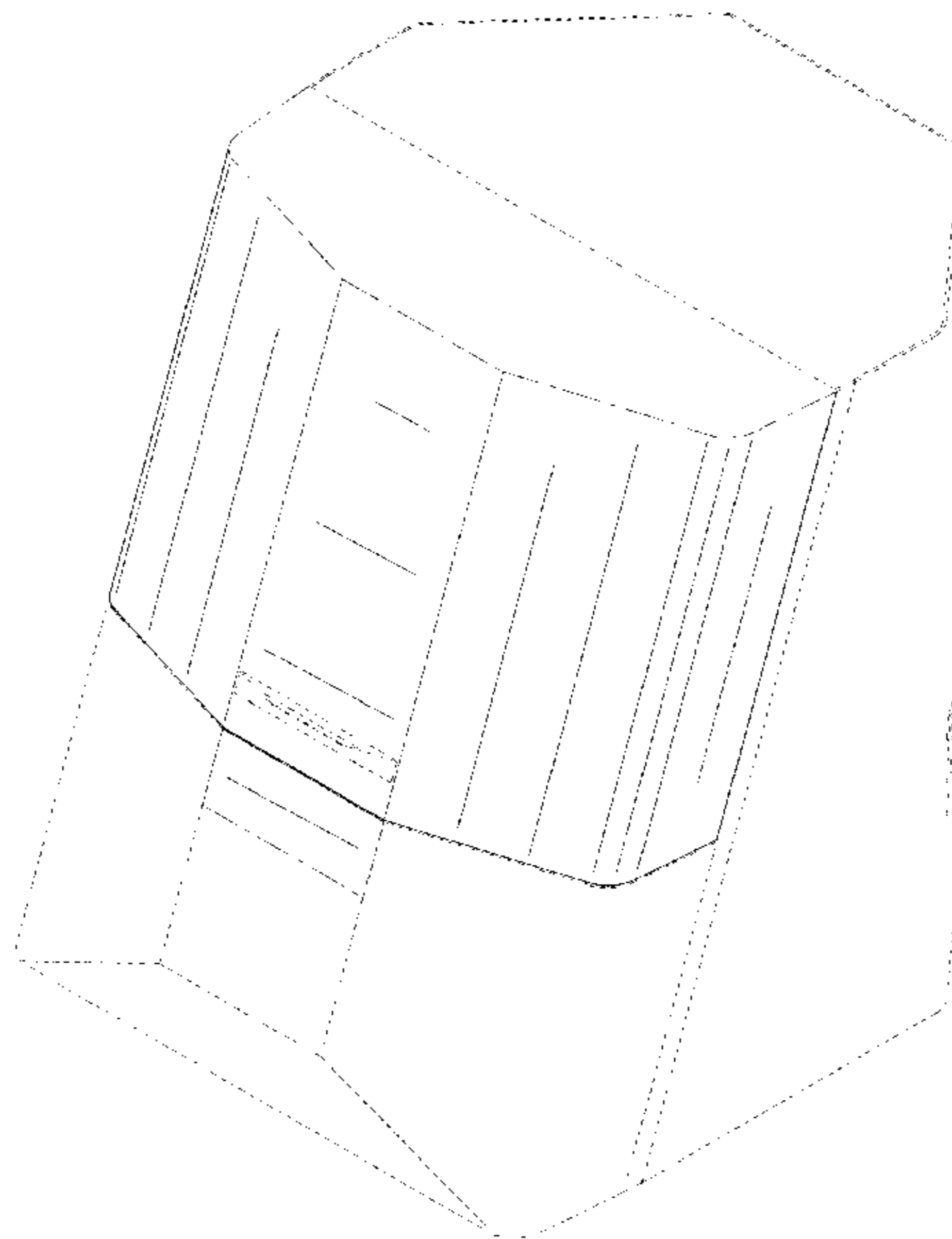


FIG.1

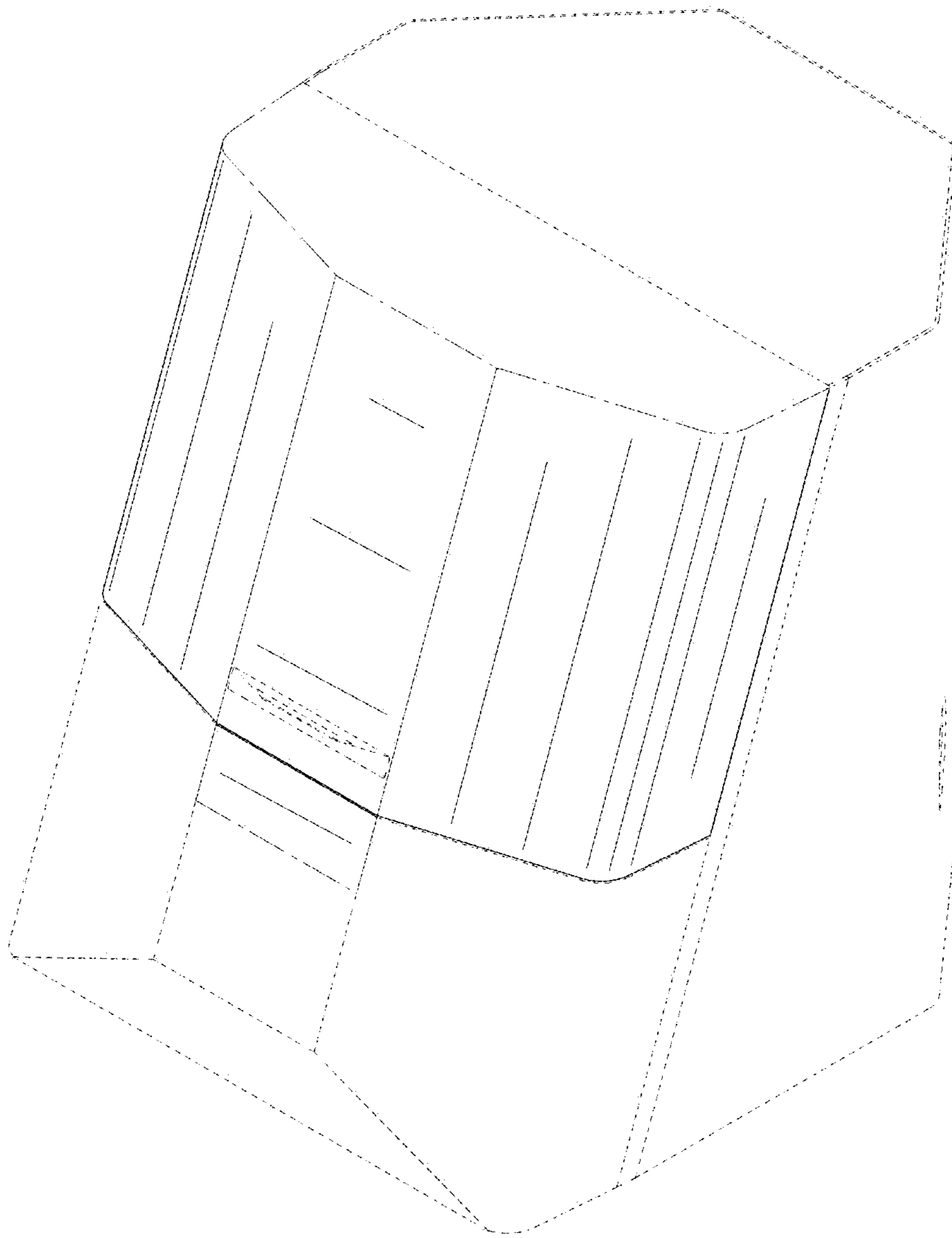


FIG.2

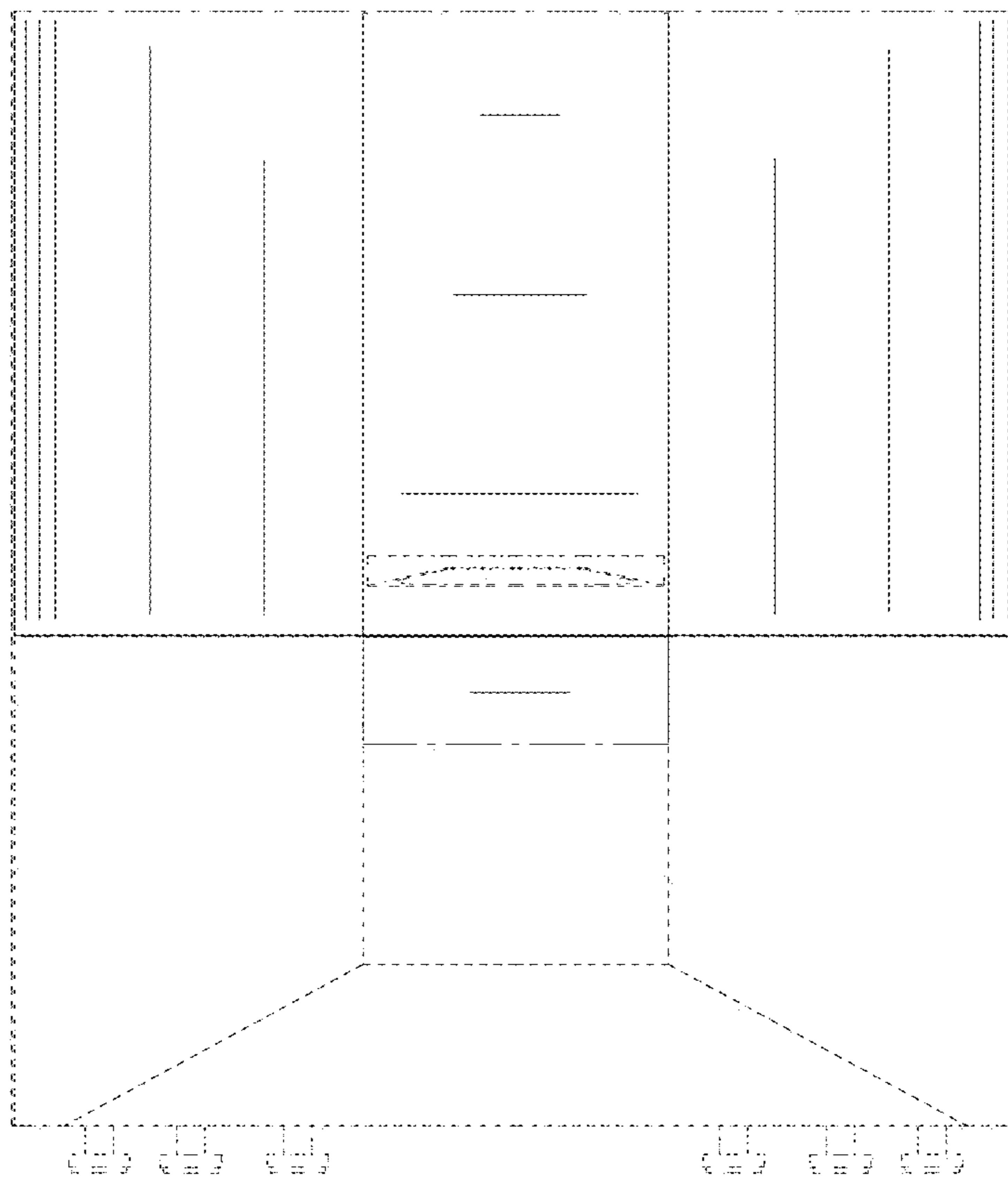


FIG.3

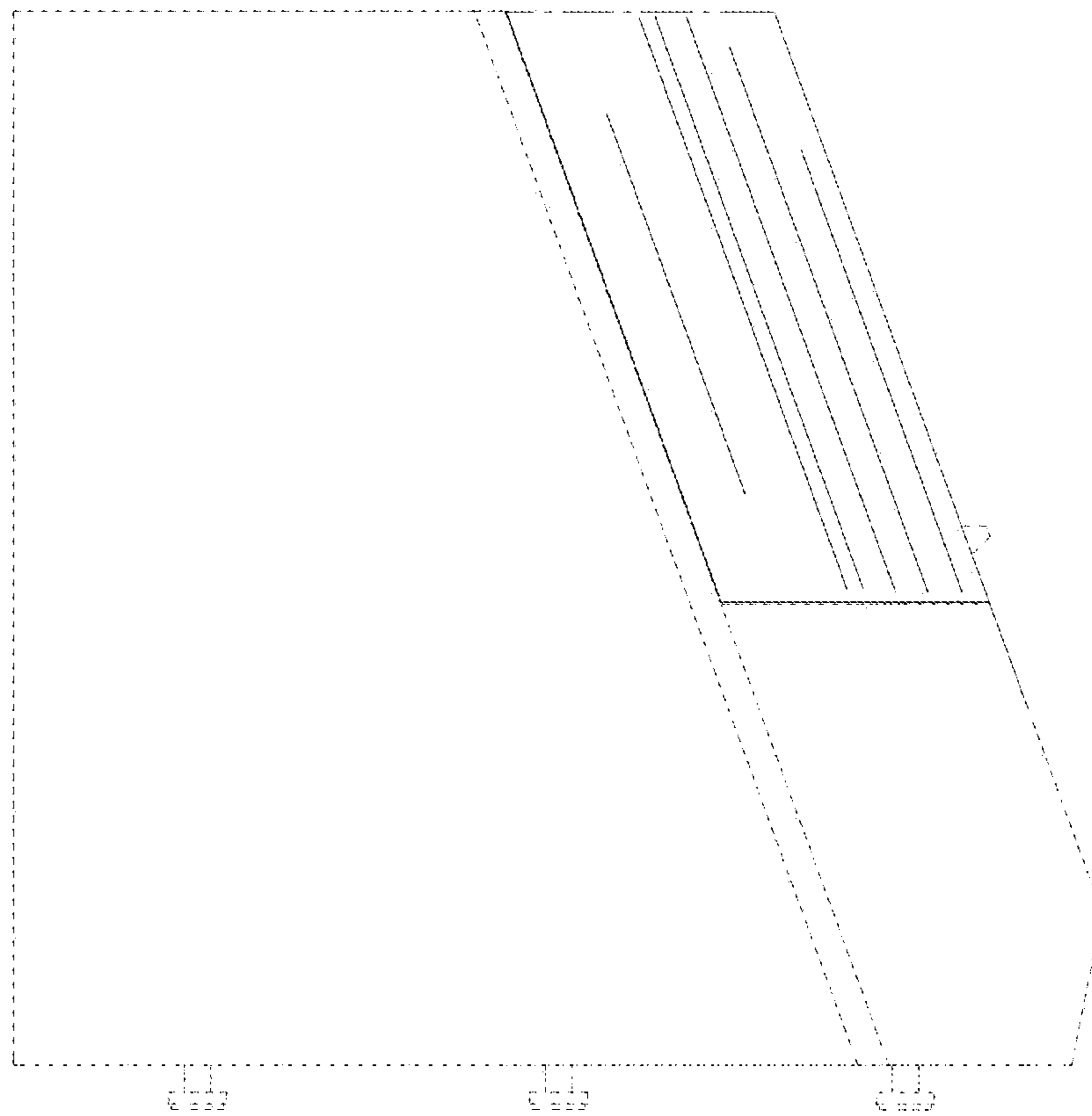


FIG.4

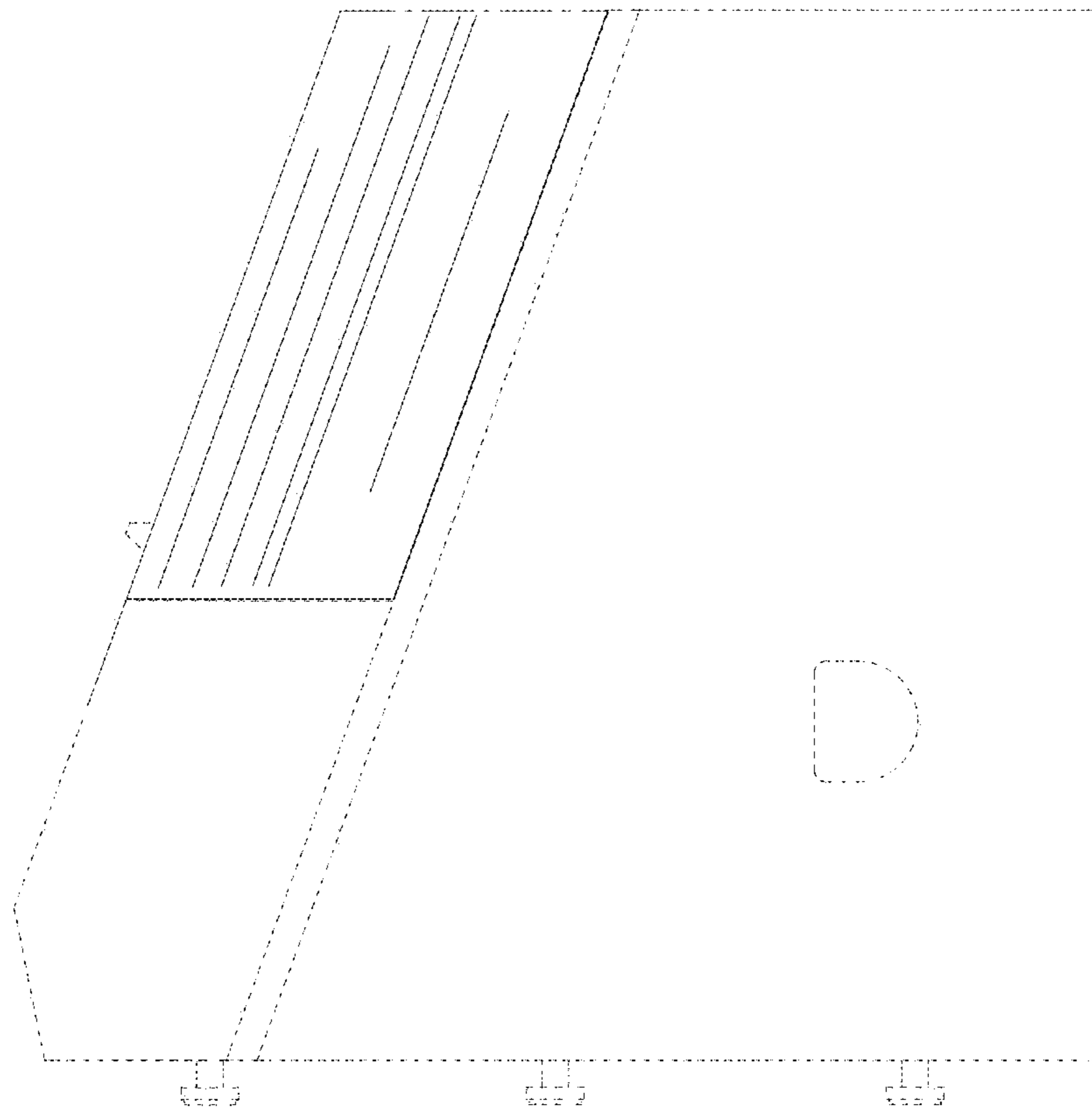


FIG.5

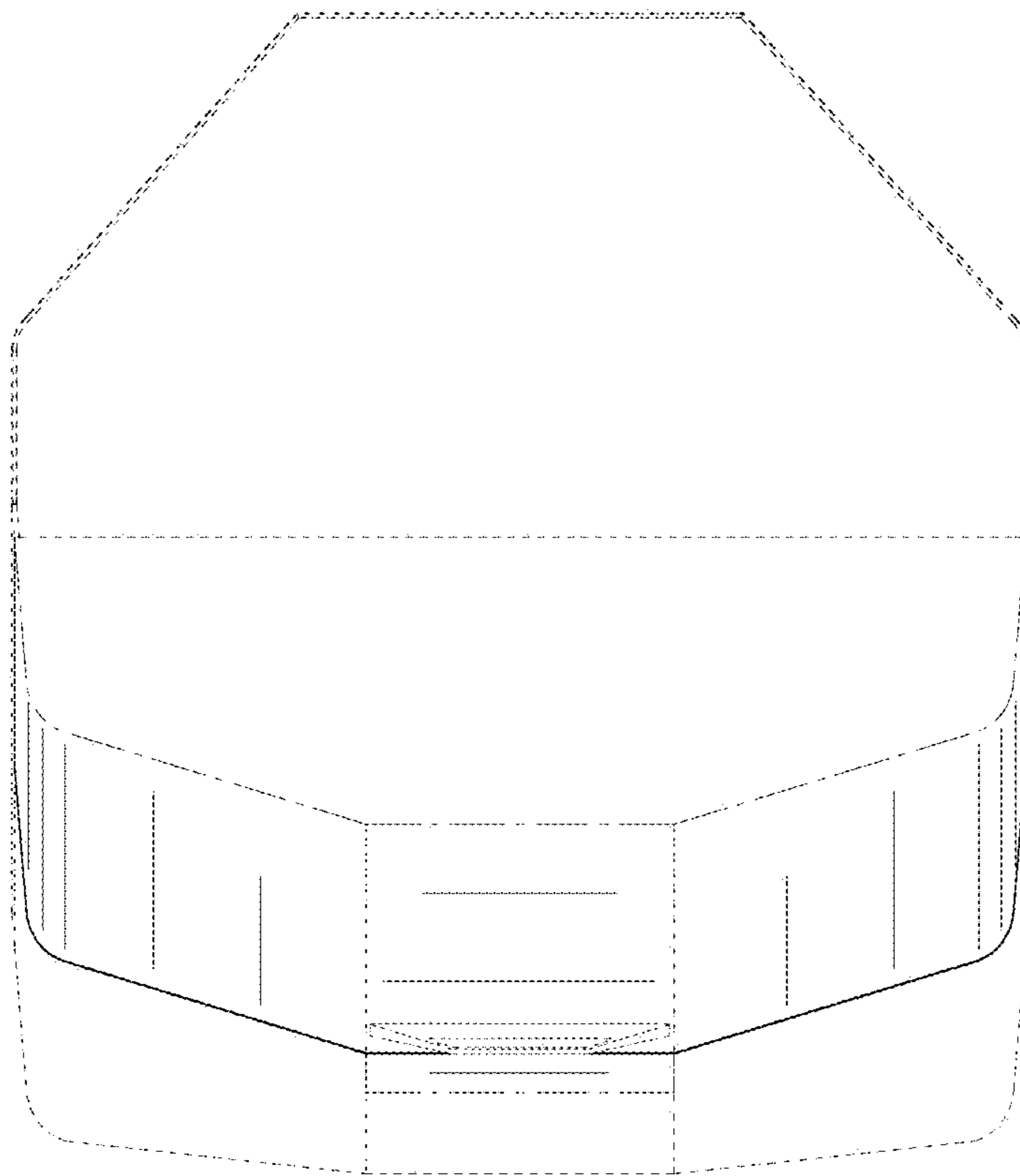


FIG.6

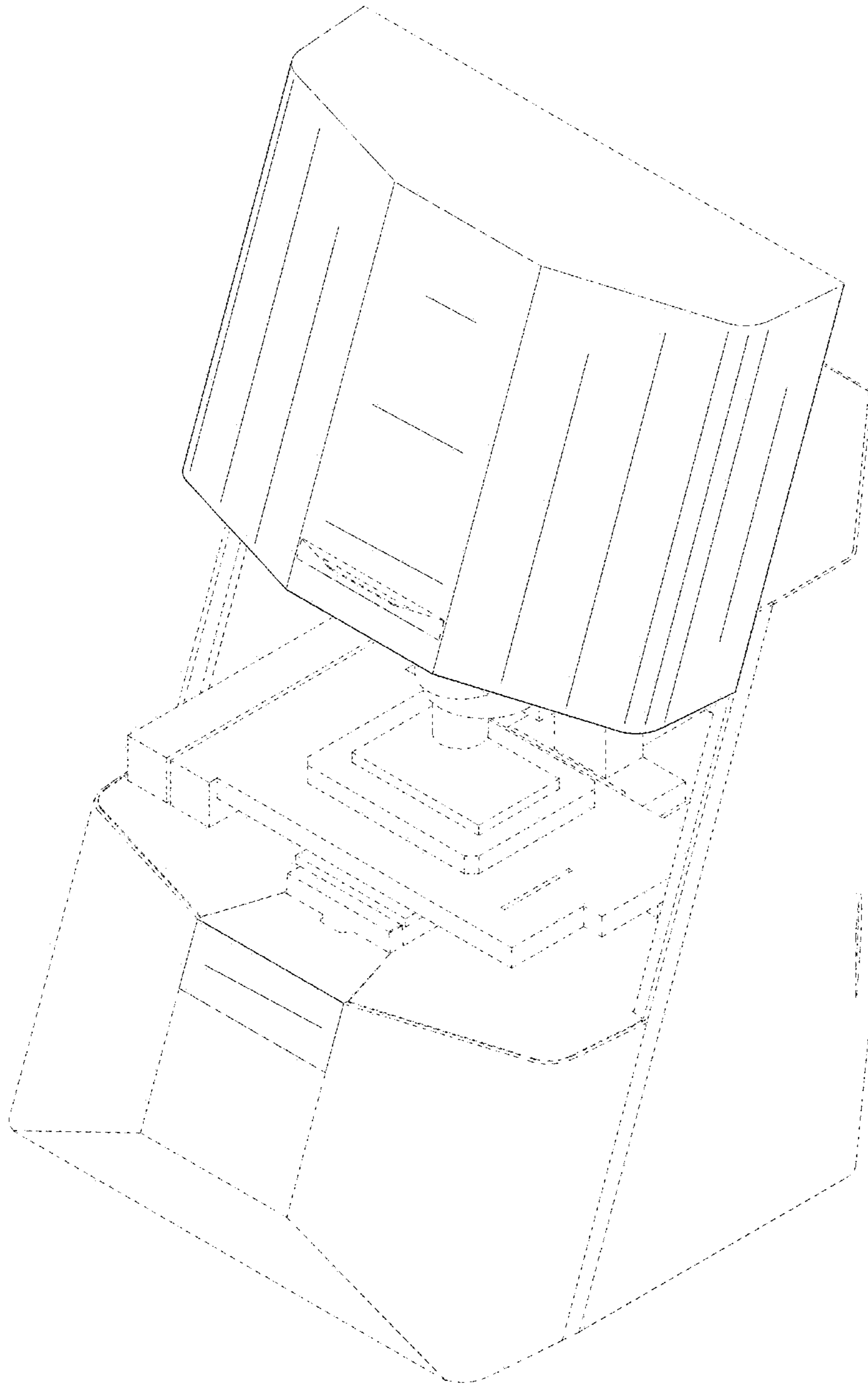


FIG.7

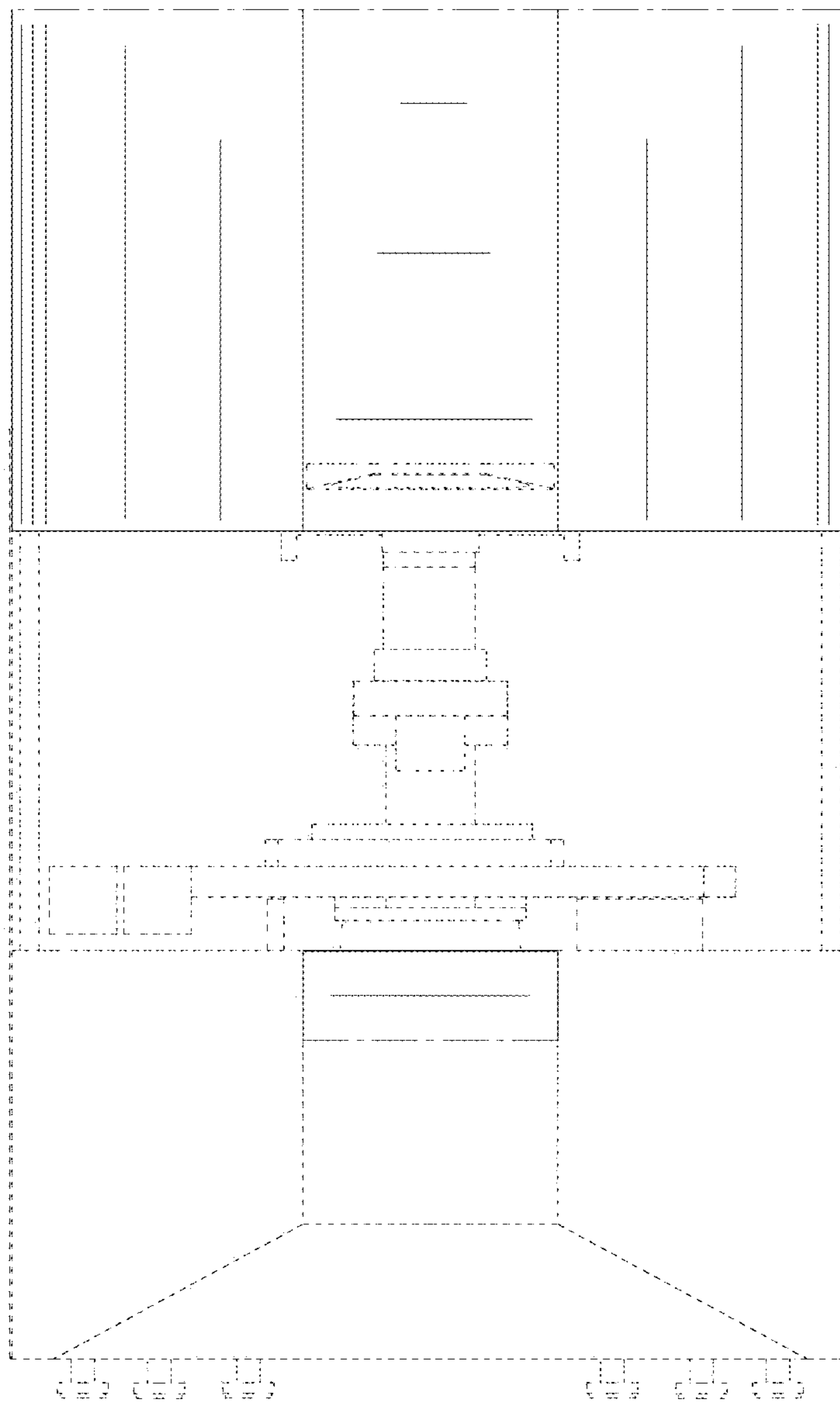


FIG.8

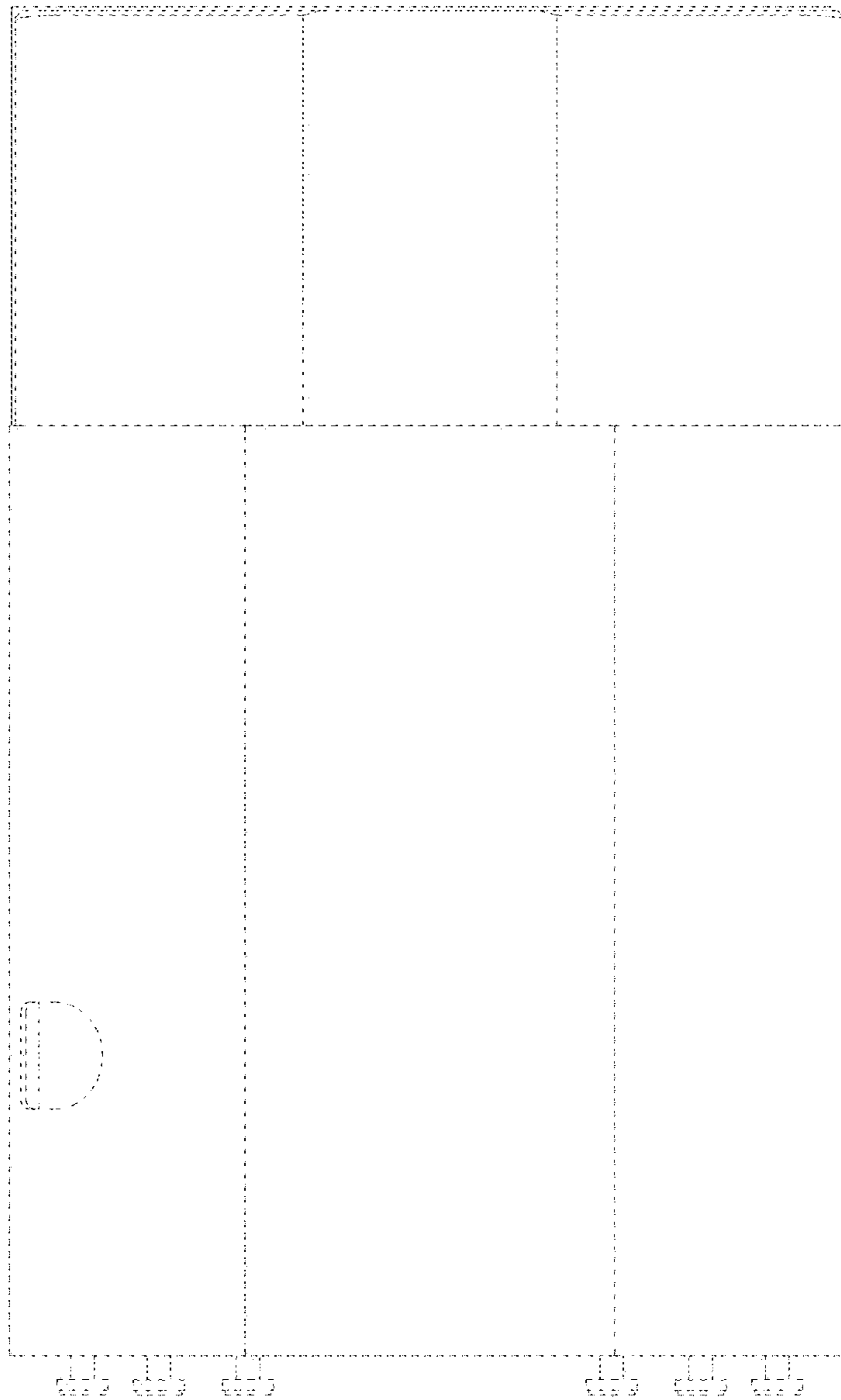


FIG.9

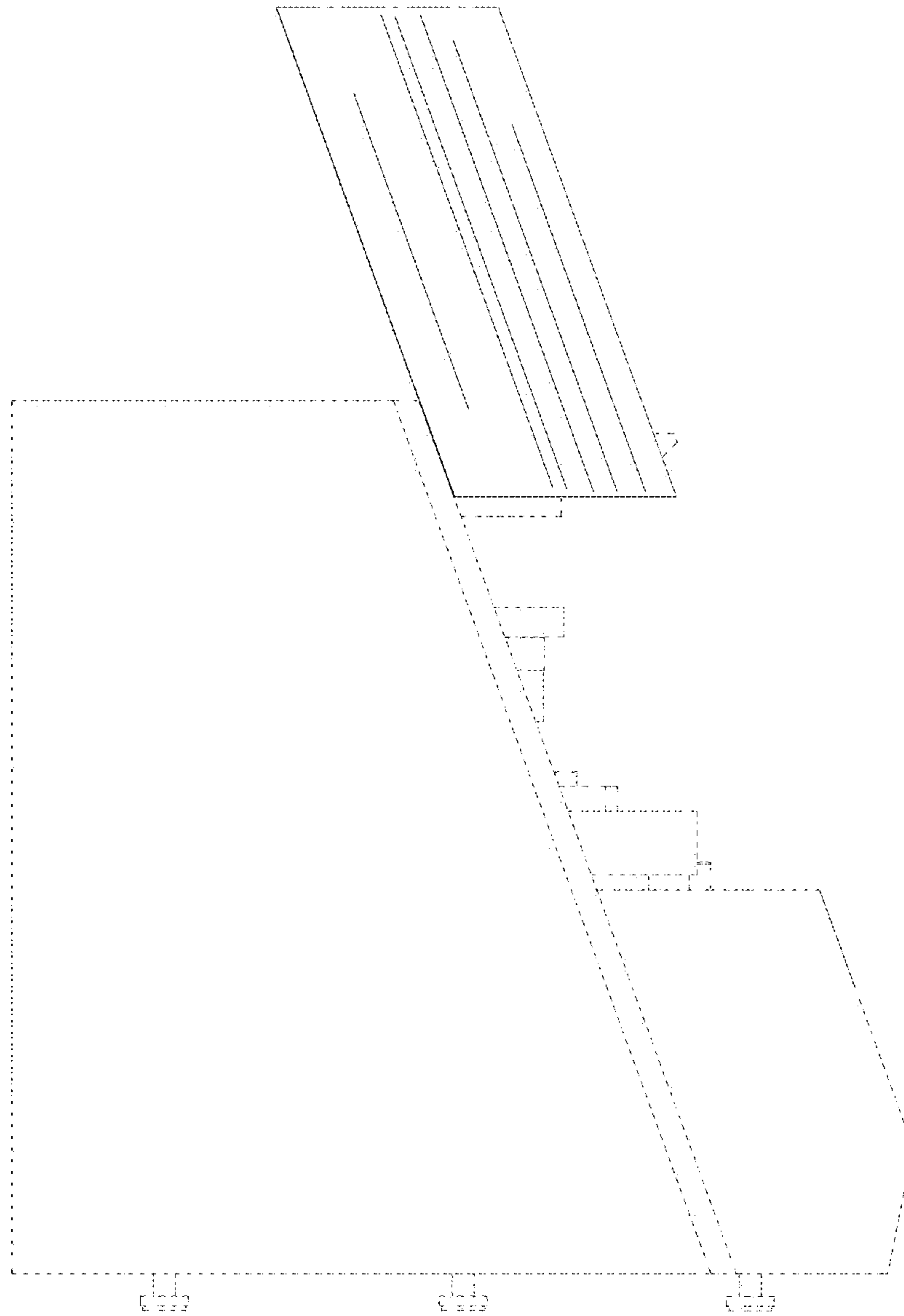


FIG. 10

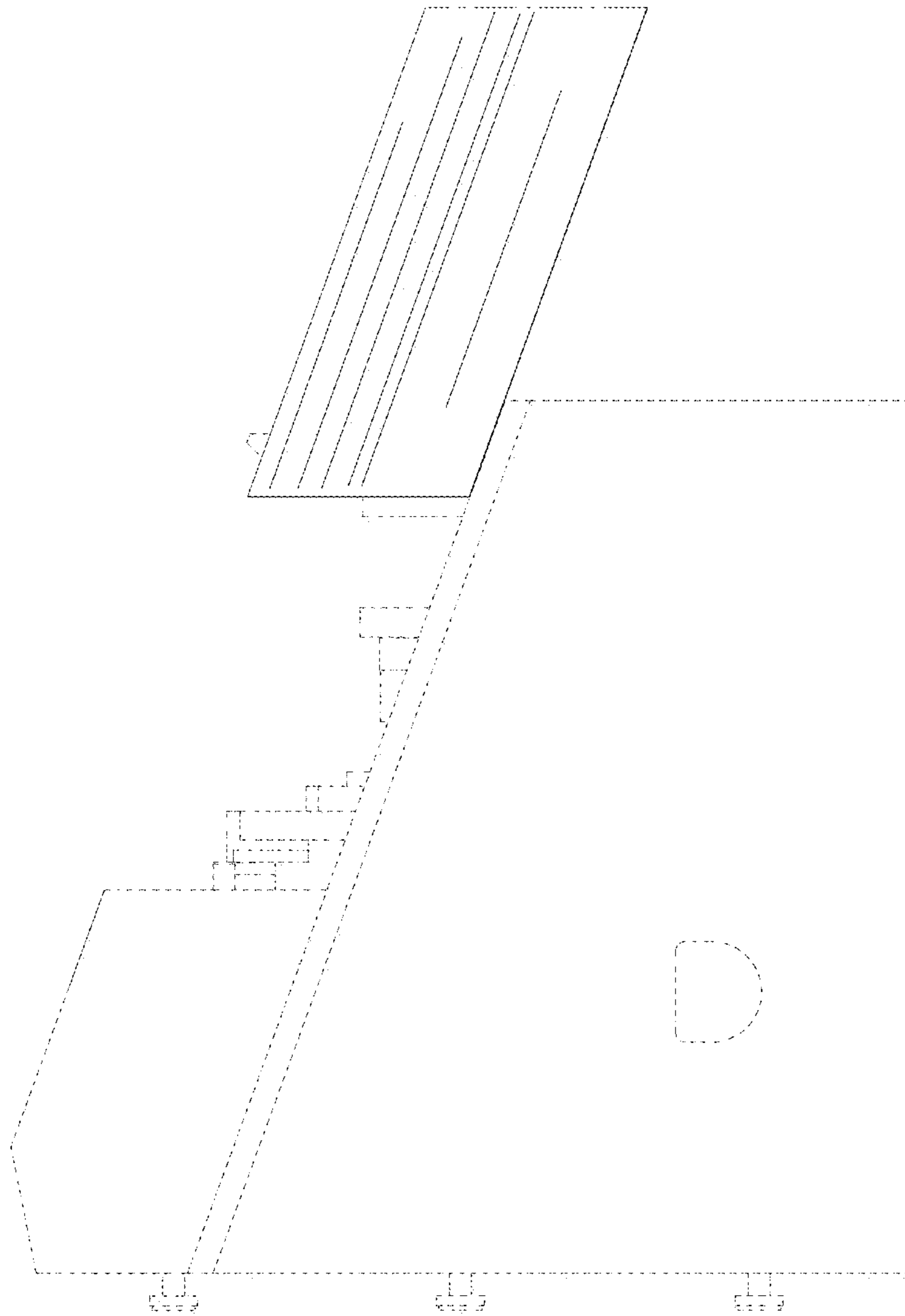


FIG. 11

