



US00D736941S

(12) **United States Design Patent**
Nicholson et al.

(10) **Patent No.:** **US D736,941 S**

(45) **Date of Patent:** **** Aug. 18, 2015**

(54) **GEL PACK**

(56) **References Cited**

(71) Applicants: **Egerton Roy Nicholson**, Lynden, WA (US); **Carolyn Evelyn Nicholson**, Lynden, WA (US); **Victoria Pawluski**, Surrey (CA)

U.S. PATENT DOCUMENTS

D321,745	S	*	11/1991	Murrell	D23/209
D324,915	S	*	3/1992	Wastchak	D24/207
5,304,215	A	*	4/1994	MacWhinnie et al.	607/108
D439,651	S	*	3/2001	Moroi et al.	D23/386
D446,295	S	*	8/2001	Williams et al.	D23/370
D493,230	S	*	7/2004	Liedtke et al.	D24/189
D517,673	S	*	3/2006	Yamamoto et al.	D23/366
7,036,800	B2	*	5/2006	Ellis	261/26
D575,875	S	*	8/2008	Robinson et al.	D24/206
D610,666	S	*	2/2010	Furner et al.	D23/366
D654,920	S	*	2/2012	Wang et al.	D14/441
D676,543	S	*	2/2013	Hiner et al.	D23/377
2014/0188199	A1	*	7/2014	Enderby	607/108

(72) Inventors: **Egerton Roy Nicholson**, Lynden, WA (US); **Carolyn Evelyn Nicholson**, Lynden, WA (US); **Victoria Pawluski**, Surrey (CA)

* cited by examiner

(**) Term: **14 Years**

Primary Examiner — David Muller

(21) Appl. No.: **29/448,099**

Assistant Examiner — Nathan Johnston

(22) Filed: **Mar. 8, 2013**

(74) *Attorney, Agent, or Firm* — QuickPatents; Kevin Prince

(51) **LOC (10) Cl.** **24-04**

(52) **U.S. Cl.**

(57) **CLAIM**

USPC **D24/207**

We claim the ornamental design for a gel pack, as shown and described.

(58) **Field of Classification Search**

DESCRIPTION

USPC D24/206–208, 189–192, 118; 602/1–7, 602/17–27, 61–66, 74, 30; 128/112.1, 128/117.1, 95.1, 96.1, 97.1, 100.1, 101.1, 128/876; 606/204, 27; 607/96, 108, 109, 607/111, 112; D29/121.2, 122, 101.2, D29/101.5, 120.1, 121.1; D3/327; D9/707; 601/15, DIG. 1; 126/204

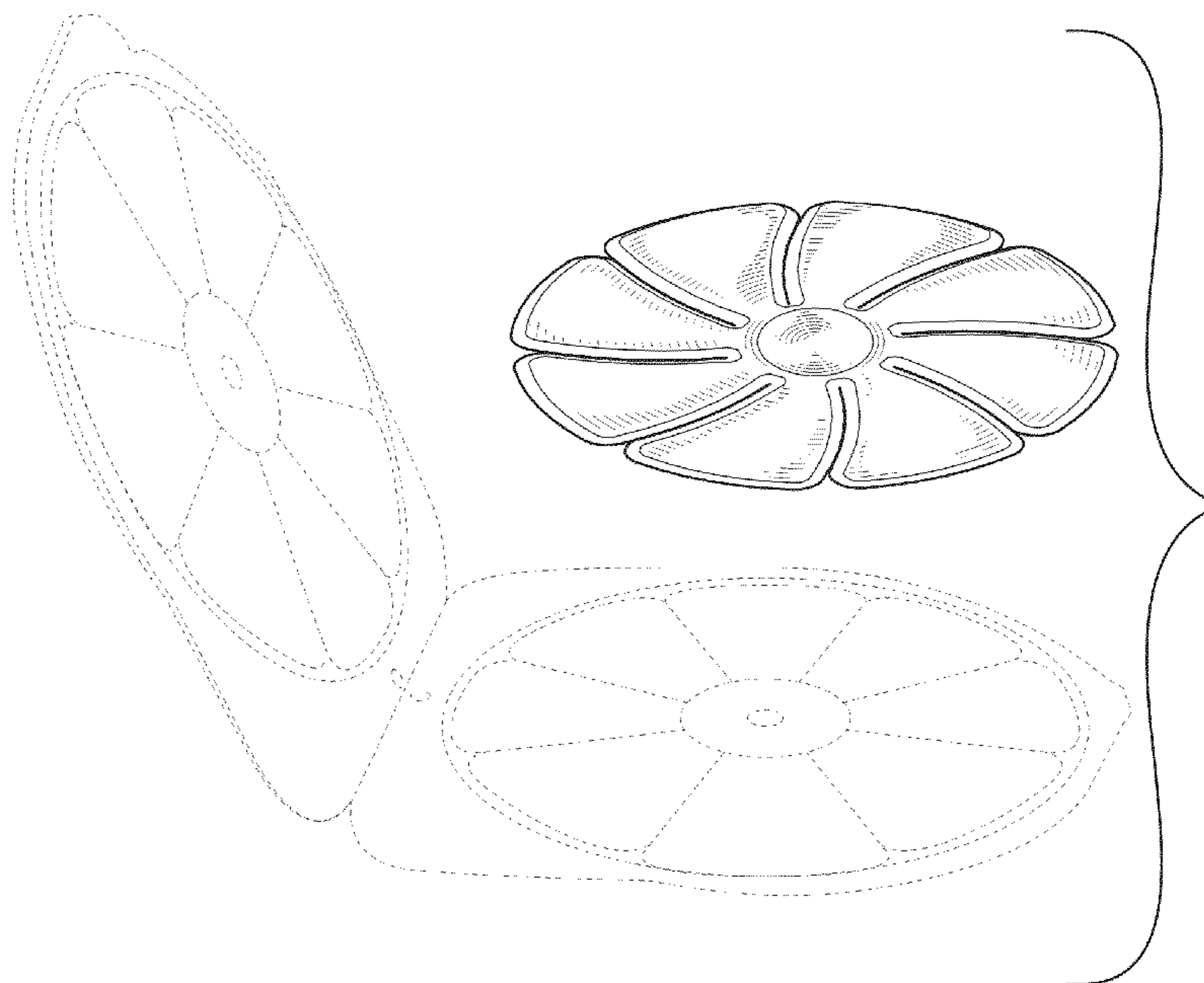
FIG. 1 is a perspective view of a gel pack, showing our new design;
FIG. 2 is a front elevational view thereof, the rear elevational view being a mirror image thereof; and,
FIG. 3 is a left-side elevational view thereof, the right-side elevational view, top plan view, and bottom plan view all being identical thereto.

CPC A61F 2007/0021; A61F 2007/0273; A61F 7/02; A61M 2205/3606; A61M 2205/366; A61M 1/064

The broken lines showing clam-shell packaging for the design in FIG. 1 depict environmental matter and form no part of the claimed design.

See application file for complete search history.

1 Claim, 2 Drawing Sheets



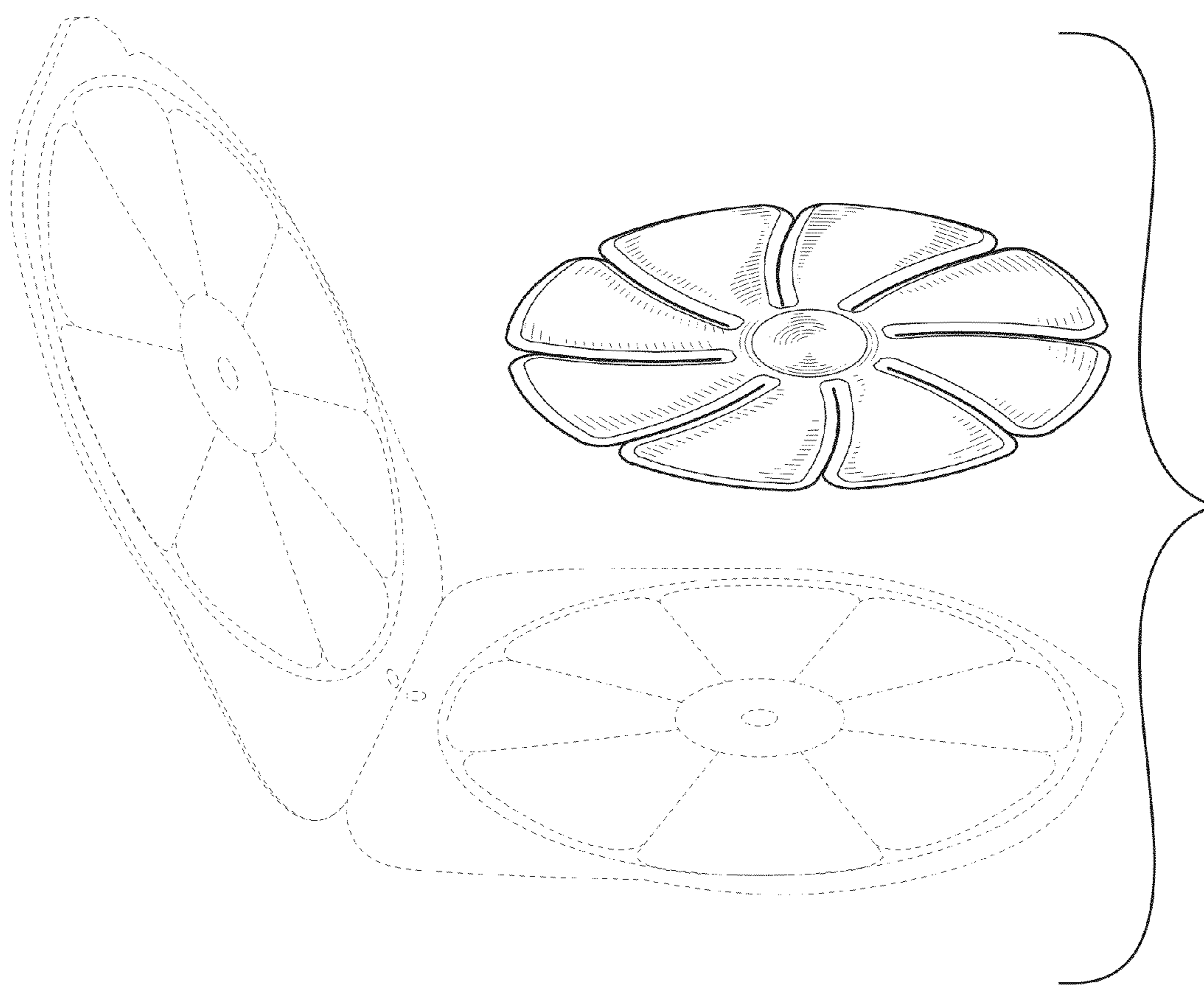


FIG. 1

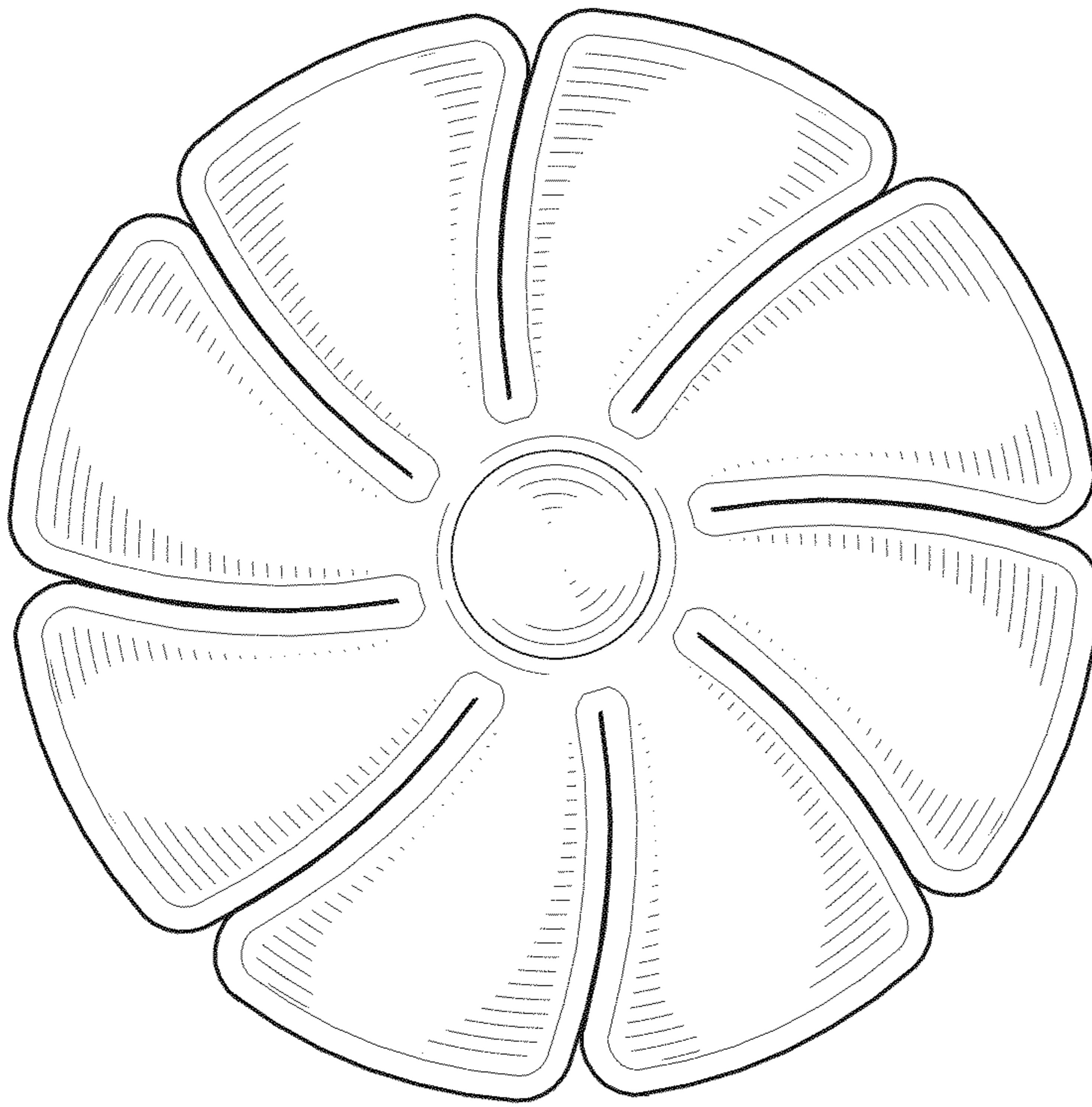


FIG. 2



FIG. 3