



US00D736939S

(12) **United States Design Patent**
McKay

(10) **Patent No.:** **US D736,939 S**
(45) **Date of Patent:** **** Aug. 18, 2015**

- (54) **FOOT REST**
- (71) Applicant: **ANKLEAID, LLC**, Ellington, CT (US)
- (72) Inventor: **Scott McKay**, Ellington, CT (US)
- (73) Assignee: **ANKLEAID, LLC**, Ellington, CT (US)
- (**) Term: **14 Years**
- (21) Appl. No.: **29/507,572**
- (22) Filed: **Oct. 29, 2014**

D606,205 S	12/2009	Truman et al.	
D615,170 S	5/2010	Della Monaca	
D616,562 S	5/2010	Ton	
D621,948 S	8/2010	Ton	
D623,448 S *	9/2010	Galati et al.	D6/716.6
D627,075 S *	11/2010	Galati et al.	D24/204
D639,916 S	6/2011	Dosne	
D650,084 S	12/2011	Tran	
D668,768 S *	10/2012	Payne et al.	D24/204
2005/0204466 A1 *	9/2005	Luong	4/622
2006/0036198 A1 *	2/2006	Cafaro et al.	601/16
2007/0136944 A1 *	6/2007	Long	4/622
2009/0058164 A1 *	3/2009	Ton	297/423.19

* cited by examiner

Related U.S. Application Data

- (62) Division of application No. 29/431,913, filed on Sep. 12, 2012, now Pat. No. Des. 719,271.
- (51) **LOC (10) Cl.** **24-02**
- (52) **U.S. Cl.**
USPC **D24/204**
- (58) **Field of Classification Search**
USPC D24/201, 204, 205; D23/277, 278, 276,
D23/280.1-280.3; 601/154-158;
4/541.1-541.6, 547, 578.1, 579
See application file for complete search history.

Primary Examiner — David Muller

(74) *Attorney, Agent, or Firm* — Cantor Colburn LLP

(57) **CLAIM**

I claim, an ornamental design for a foot rest, as shown and described.

DESCRIPTION

FIG. 1 is a top front perspective view of a foot rest, showing my new design;
 FIG. 2 is a top rear perspective view thereof;
 FIG. 3 is a front elevation view thereof;
 FIG. 4 is a rear elevation view thereof;
 FIG. 5 is a side elevation view thereof;
 FIG. 6 is a top plan view thereof;
 FIG. 7 is a bottom plan view thereof;
 FIG. 8 is a sectional view taken along line 8-8 as shown in FIG. 1; and,
 FIG. 9 is a sectional view taken along line 9-9 as shown in FIG. 1.

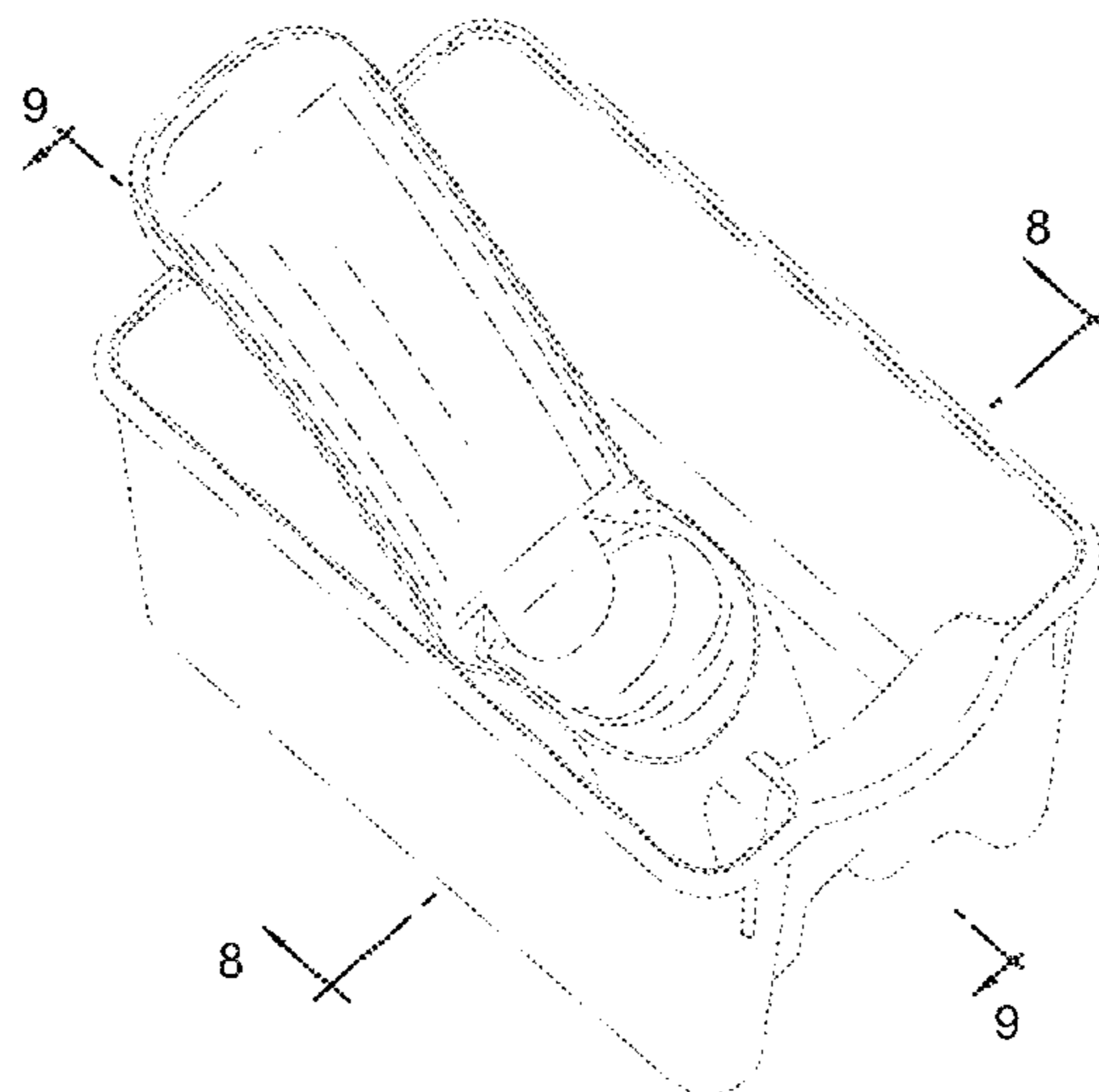
The broken-lines shown in the drawings represent portions of the article that form no part of the claimed design. References to “side,” “top,” “bottom,” “front,” and “rear” in the Figure Descriptions are not meant to require any specific orientation of the article as viewed.

(56) **References Cited**

U.S. PATENT DOCUMENTS

4,197,838 A	4/1980	Shill	
D264,629 S	5/1982	Longmire	
D266,788 S *	11/1982	DuBois et al.	D24/205
4,561,135 A *	12/1985	Adriaansen	4/572.1
D298,055 S	10/1988	O'Brien	
D304,235 S	10/1989	Chambers	
D319,313 S *	8/1991	Battles et al.	D24/209
D346,043 S *	4/1994	Galati et al.	D28/61
D346,466 S	4/1994	Punternold, Sr.	
D469,860 S	2/2003	Riemer et al.	
6,772,800 B1 *	8/2004	Garcia	141/2
D531,318 S *	10/2006	Morrall Gispert	D24/201
D583,957 S	12/2008	Bromilow	

1 Claim, 7 Drawing Sheets



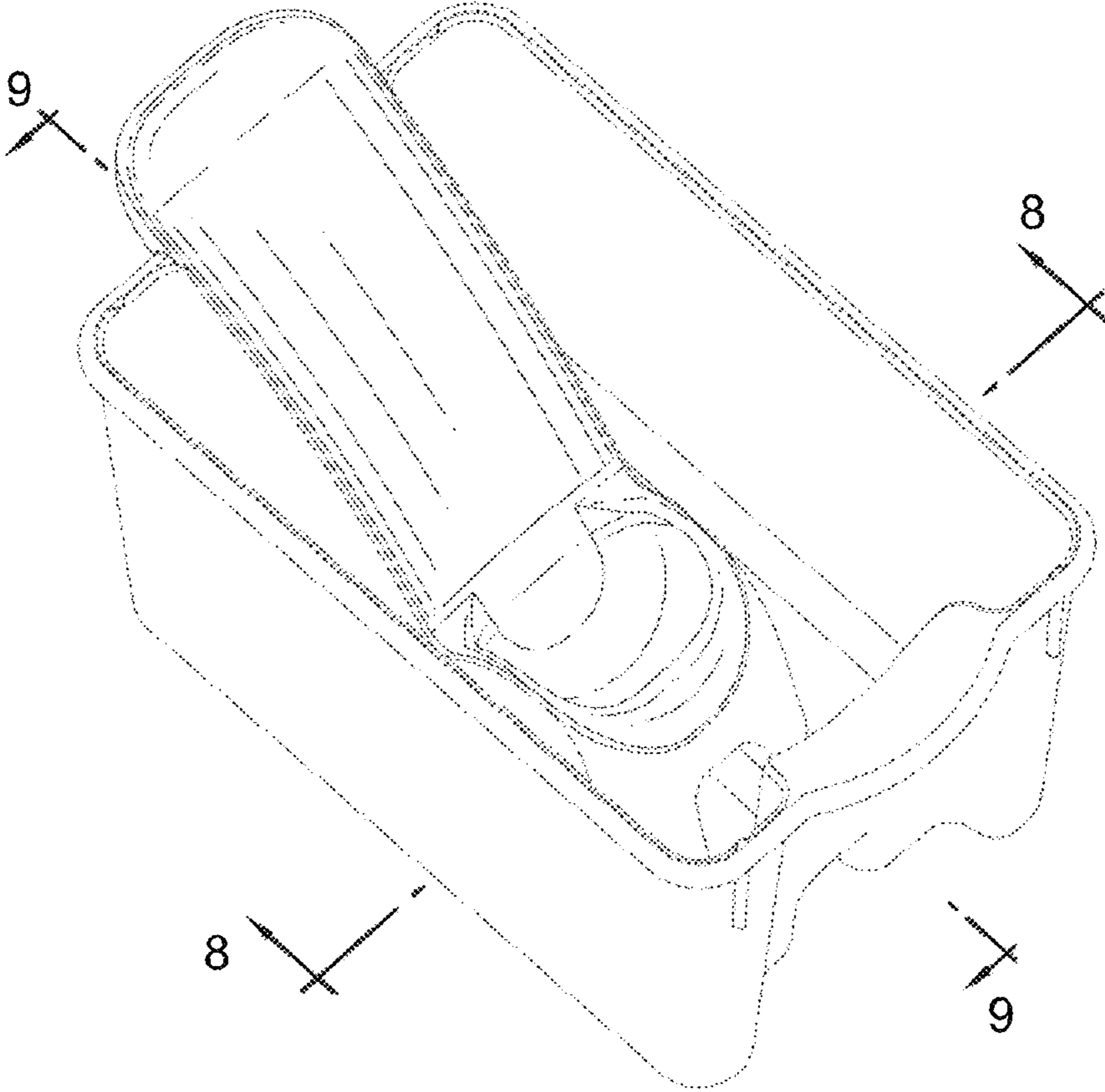


FIG. 1

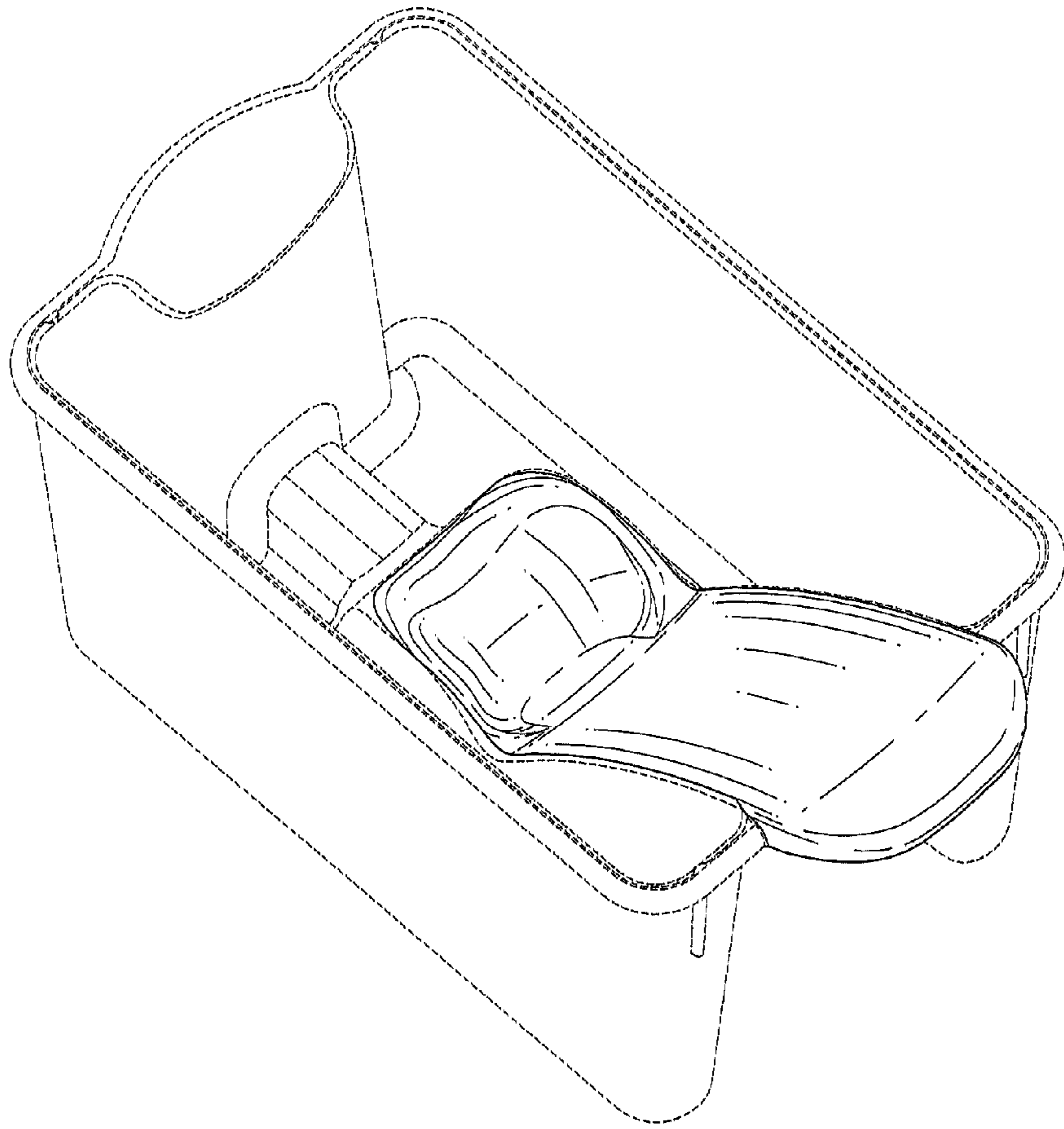


FIG. 2

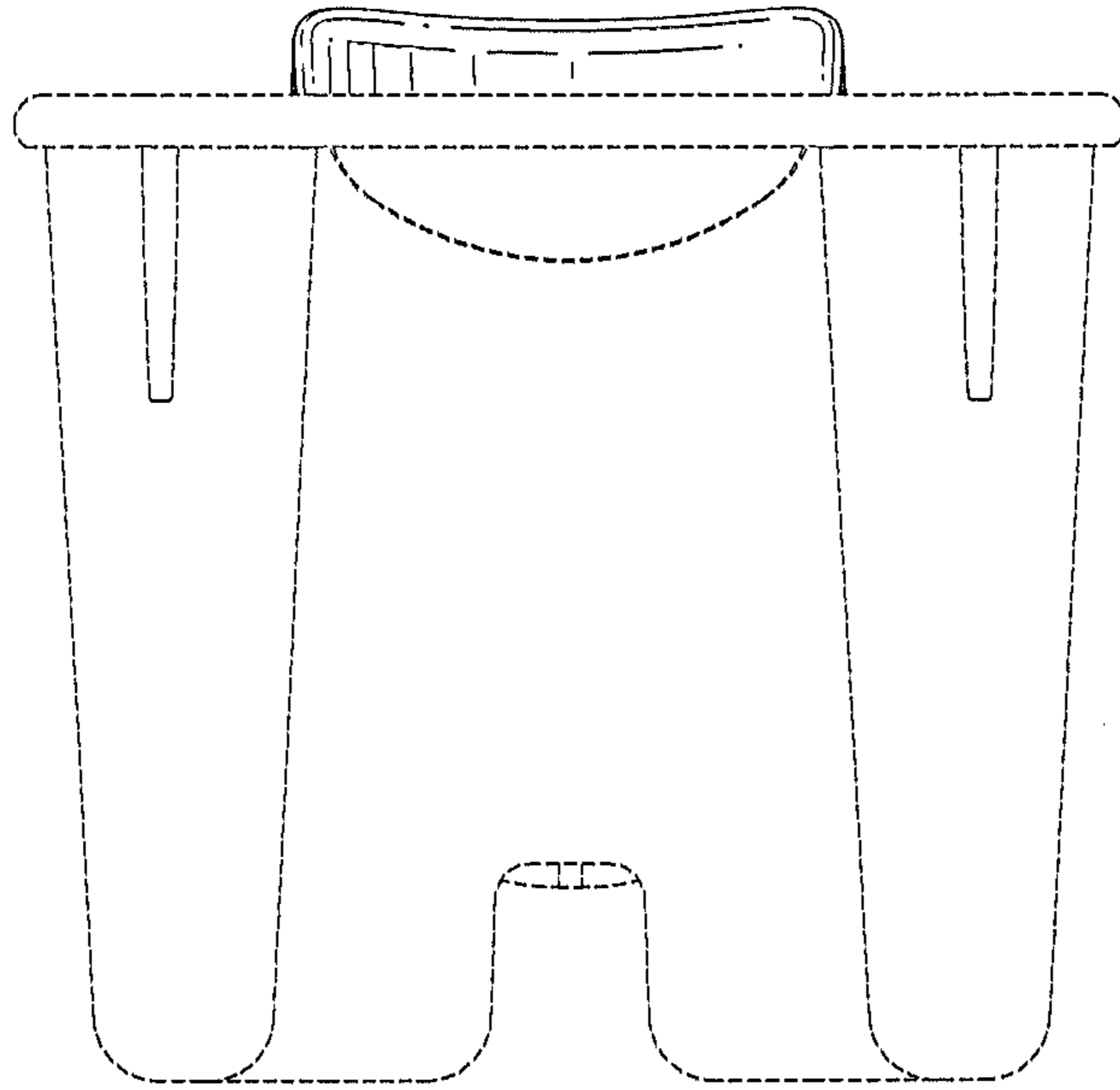


FIG. 3

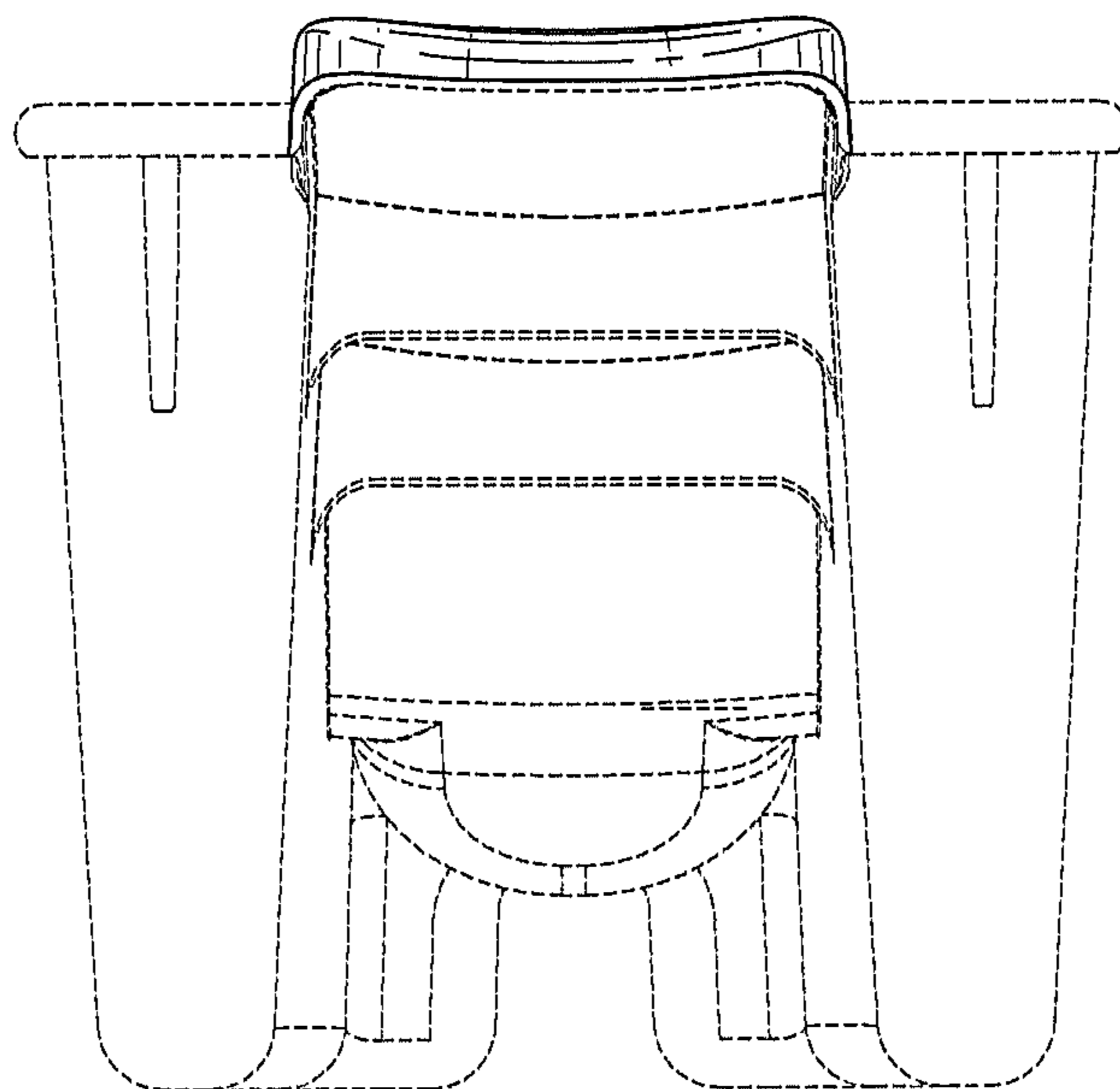


FIG. 4

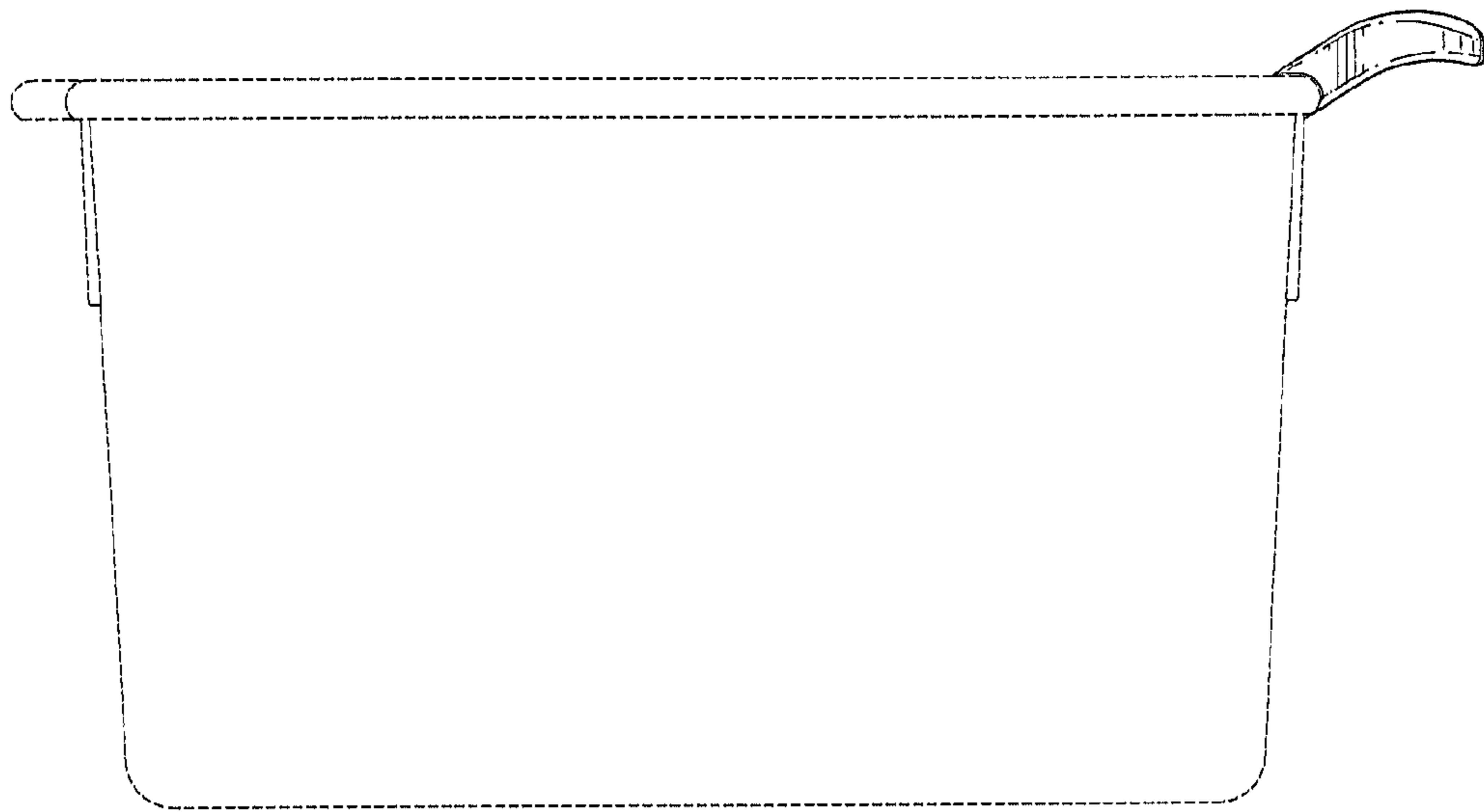


FIG. 5

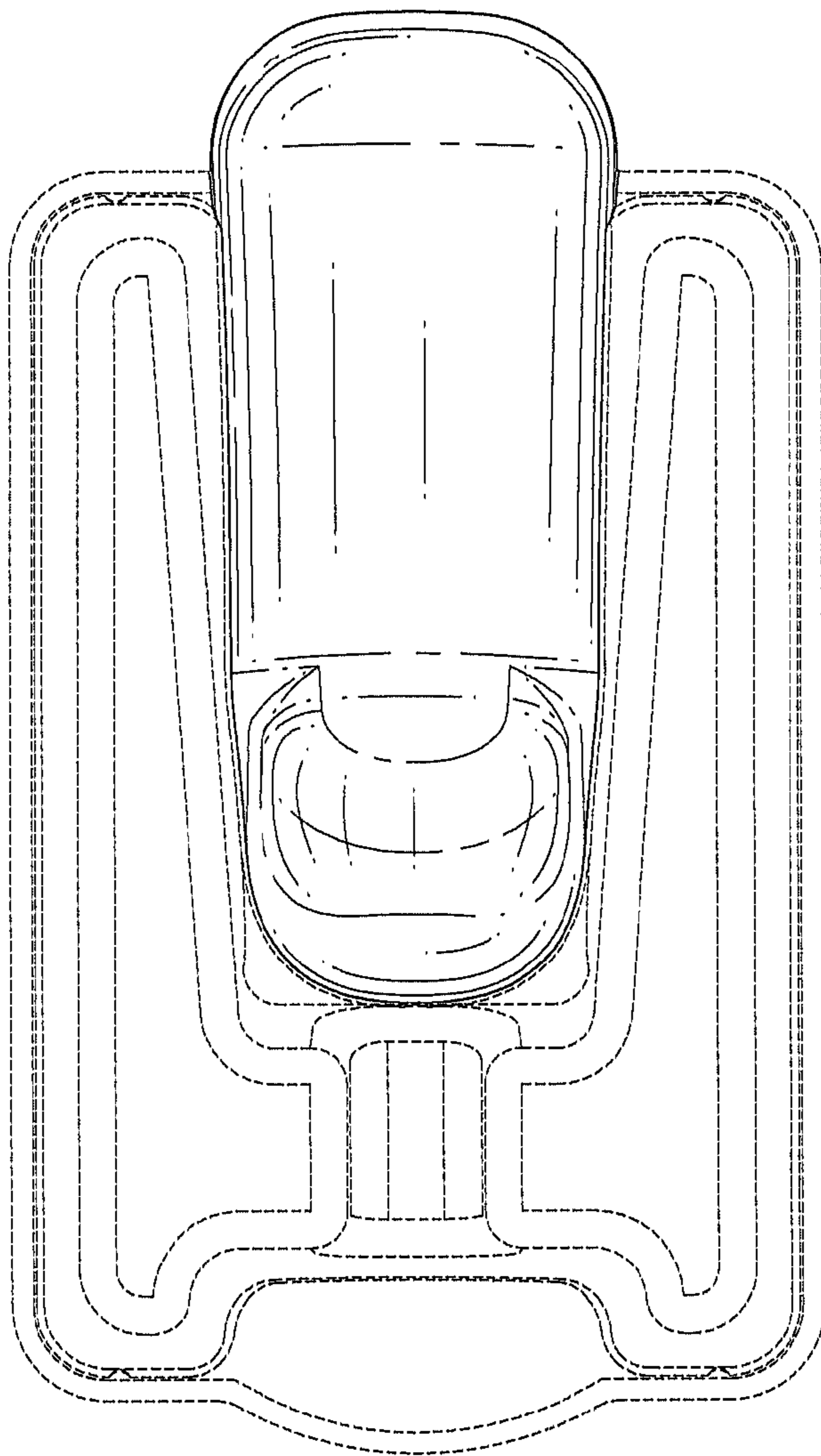


FIG. 6

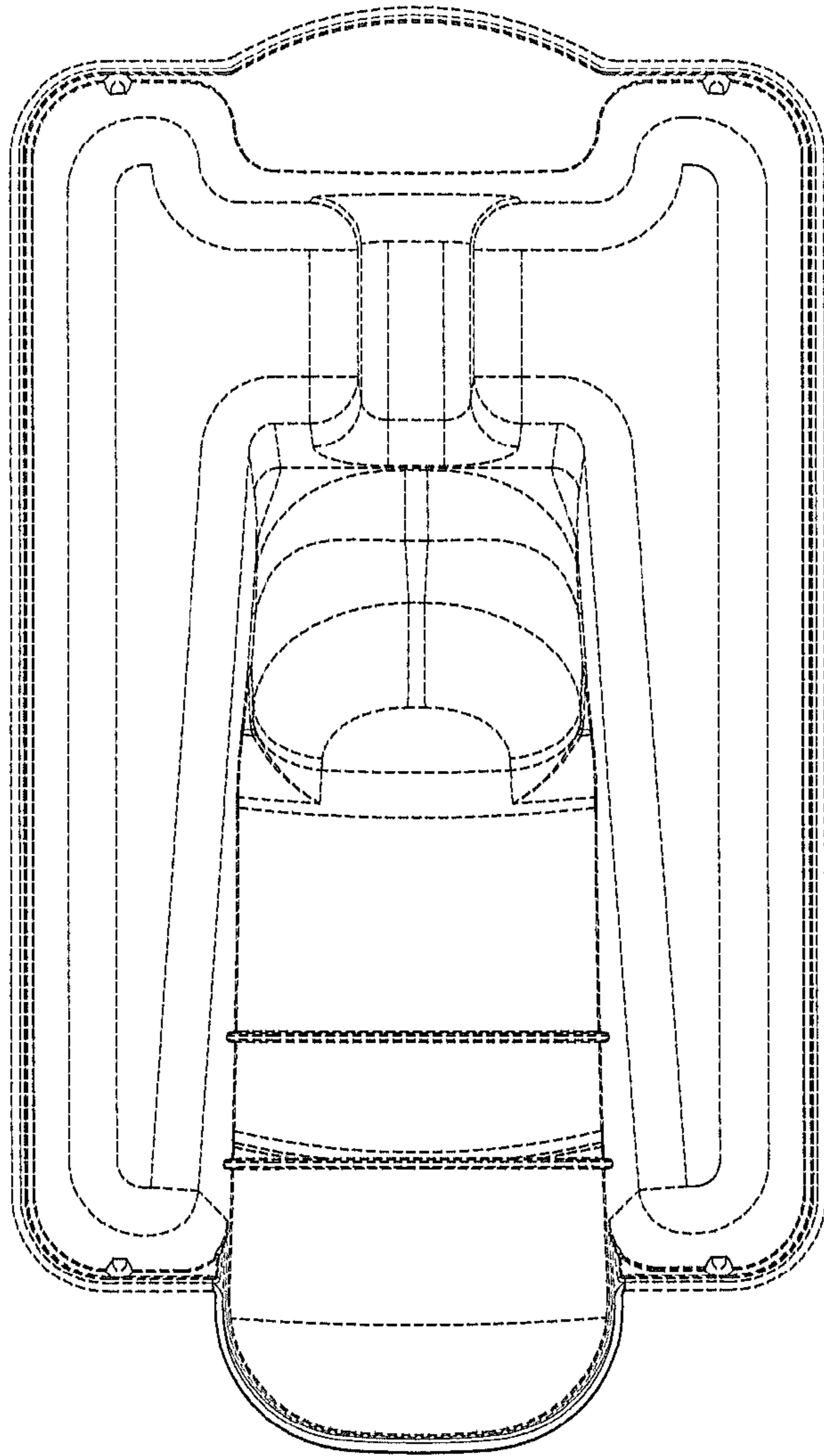


FIG. 7

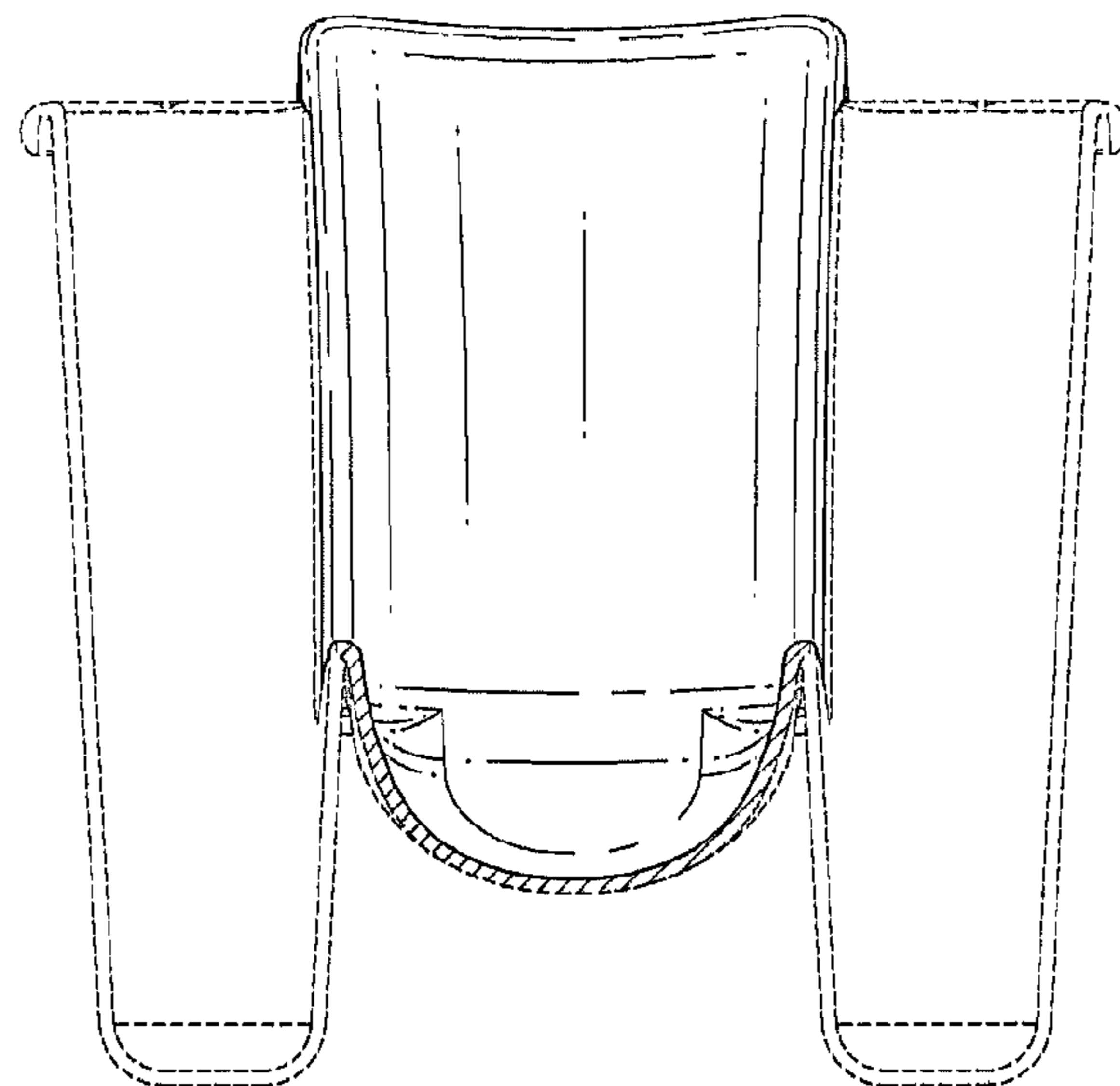


FIG. 8

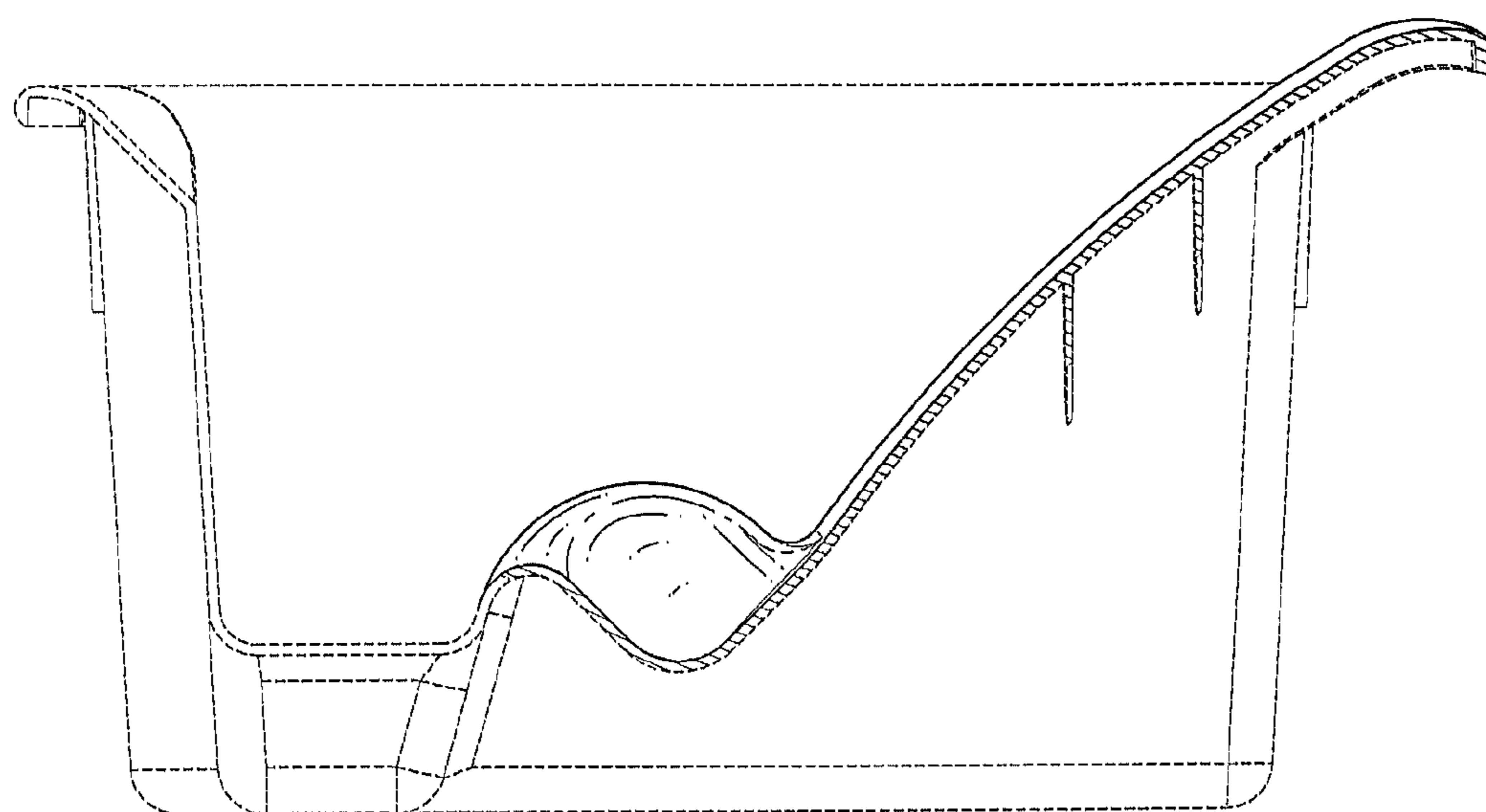


FIG. 9