



US00D736936S

(12) **United States Design Patent**
McGerald

(10) **Patent No.:** **US D736,936 S**

(45) **Date of Patent:** **** Aug. 18, 2015**

(54) **ABDOMINAL SUPPORT APPARATUS**

(71) Applicant: **Potty Paddle LLC**, Sierra Madre, CA (US)

(72) Inventor: **Paul McGerald**, Sierra Madre, CA (US)

(73) Assignee: **POTTY PADDLE LLC**, Sierra Madre, CA (US)

(**) Term: **14 Years**

(21) Appl. No.: **29/485,007**

(22) Filed: **Mar. 14, 2014**

(51) **LOC (10) Cl.** **24-04**

(52) **U.S. Cl.**
USPC **D24/188**

(58) **Field of Classification Search**
USPC D8/33, 34, 89, 385; D24/106, 183–185, D24/187–192, 199, 200, 214, 231; 7/166; 128/845; 254/25
CPC B25F 1/00; B66F 15/00
See application file for complete search history.

(56) **References Cited**

U.S. PATENT DOCUMENTS

D52,052 S *	5/1918	Baird et al.	D8/89
D347,533 S *	6/1994	Lambert	D24/190
5,459,897 A *	10/1995	Wurdack	7/166
D386,057 S *	11/1997	Hreha	D8/89
D404,132 S *	1/1999	Hart	D24/199
D596,913 S *	7/2009	Anderson et al.	D8/89

D623,306 S *	9/2010	Boyer	D24/200
D629,525 S *	12/2010	Ladwig et al.	D24/187
D648,033 S *	11/2011	Lyu	D24/214
D665,506 S *	8/2012	Derrick et al.	D24/191
D680,654 S *	4/2013	Borrelli	D24/188
2009/0126120 A1 *	5/2009	Bixel	7/166
2010/0115705 A1 *	5/2010	Allen et al.	7/166

* cited by examiner

Primary Examiner — Robert M Spear

Assistant Examiner — Darcey E Heflin

(57) **CLAIM**

The ornamental design for an abdominal support apparatus, as shown and described.

DESCRIPTION

FIG. 1 is a front perspective view of an abdominal support apparatus of the present invention.

FIG. 2 is a rear perspective view of the abdominal support apparatus of FIG. 1.

FIG. 3 is a side elevation view of the abdominal support apparatus of FIG. 1.

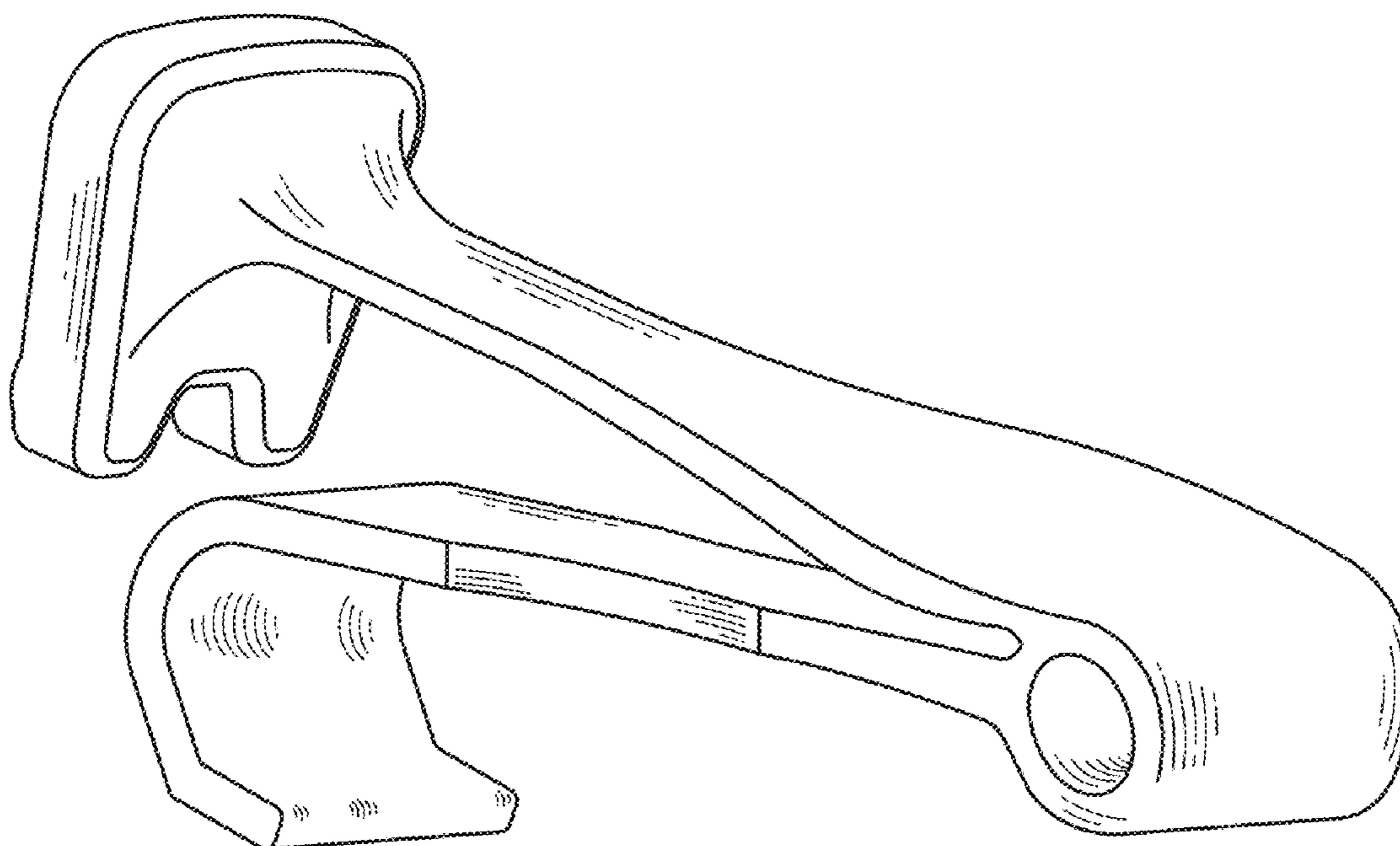
FIG. 4 is a top plan view of the abdominal support apparatus of FIG. 1.

FIG. 5 is a bottom plan view of the abdominal support apparatus of FIG. 1.

FIG. 6 is a front elevation view of the abdominal support apparatus of FIG. 1; and,

FIG. 7 is a rear elevation view of the abdominal support apparatus of FIG. 1.

1 Claim, 3 Drawing Sheets



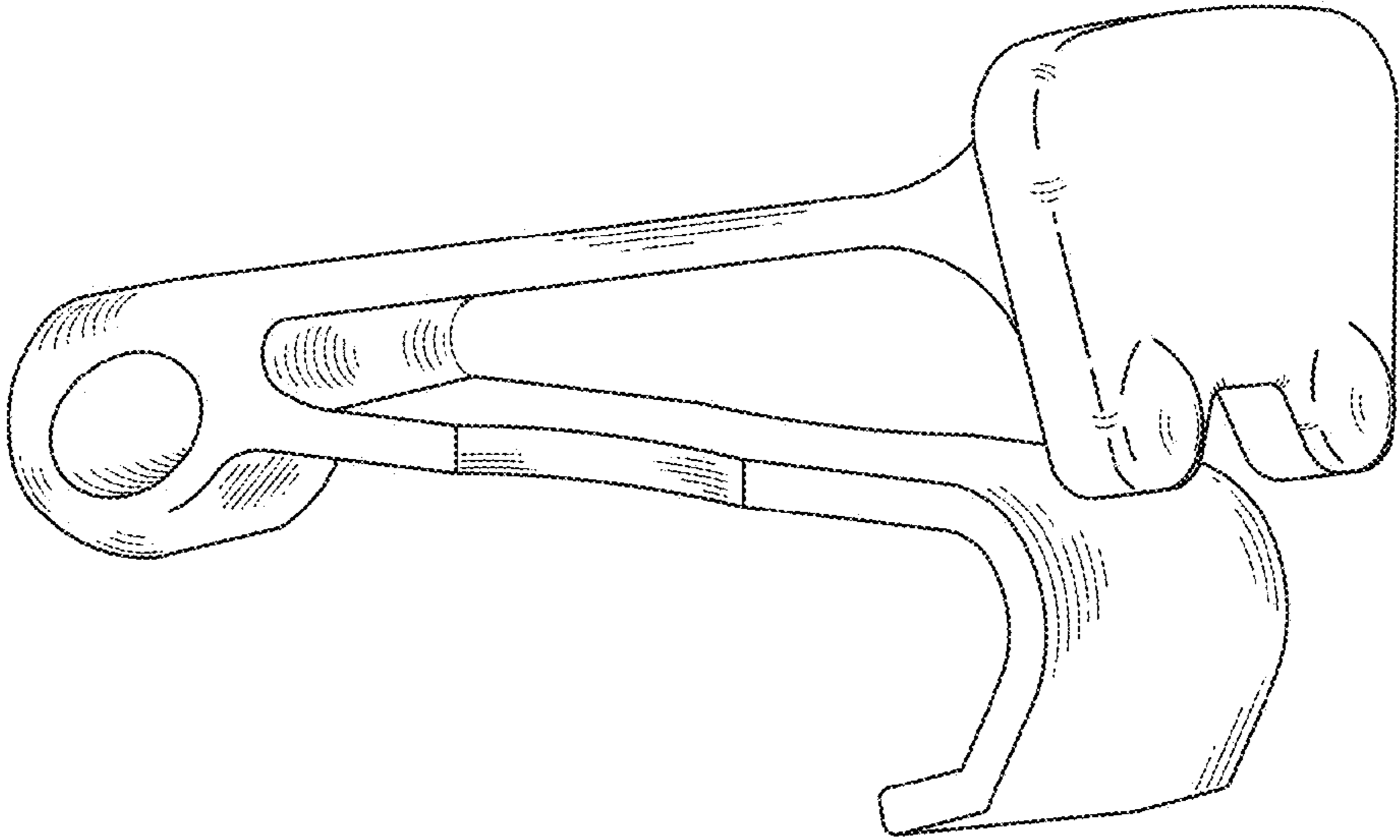


Fig. 1

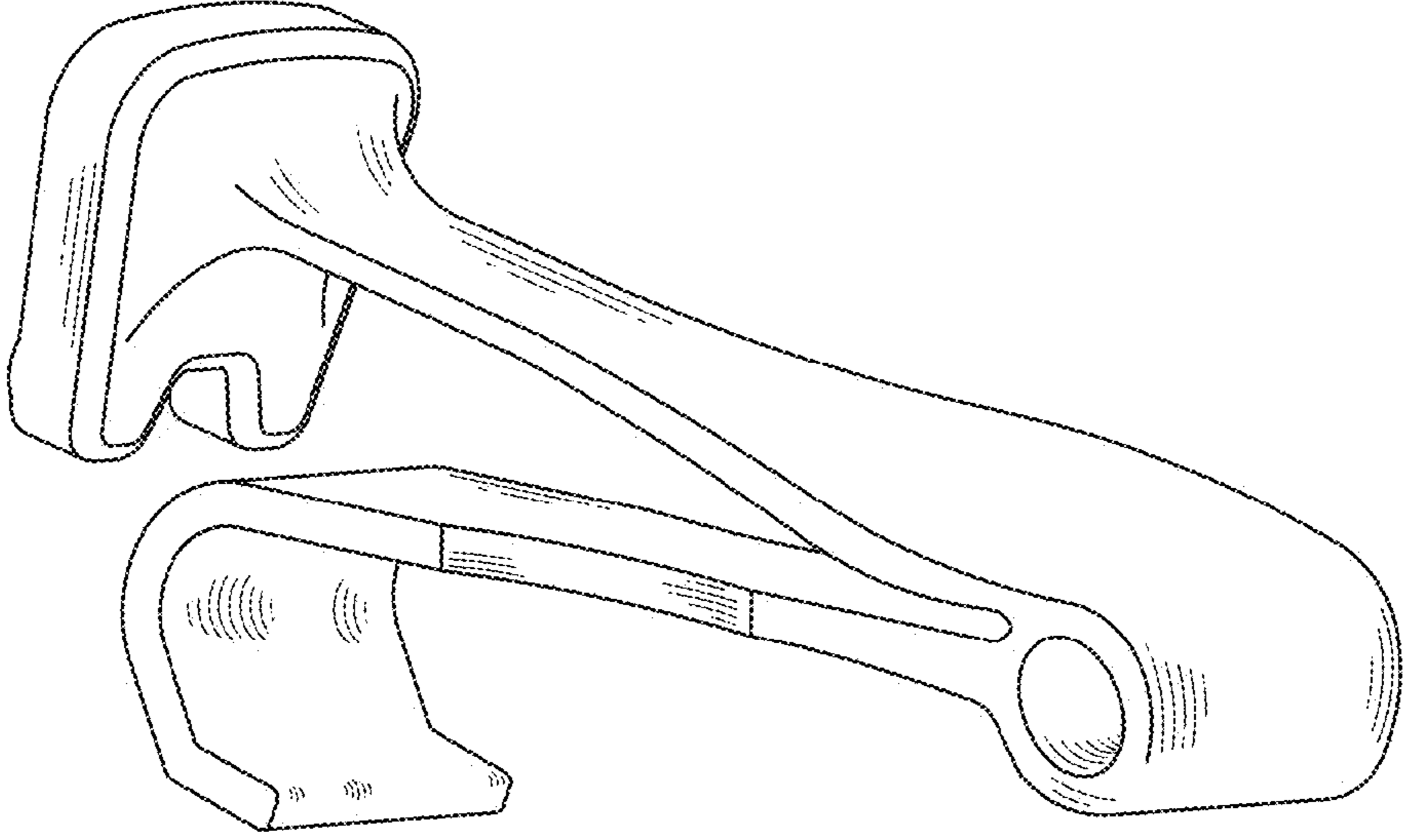


Fig. 2

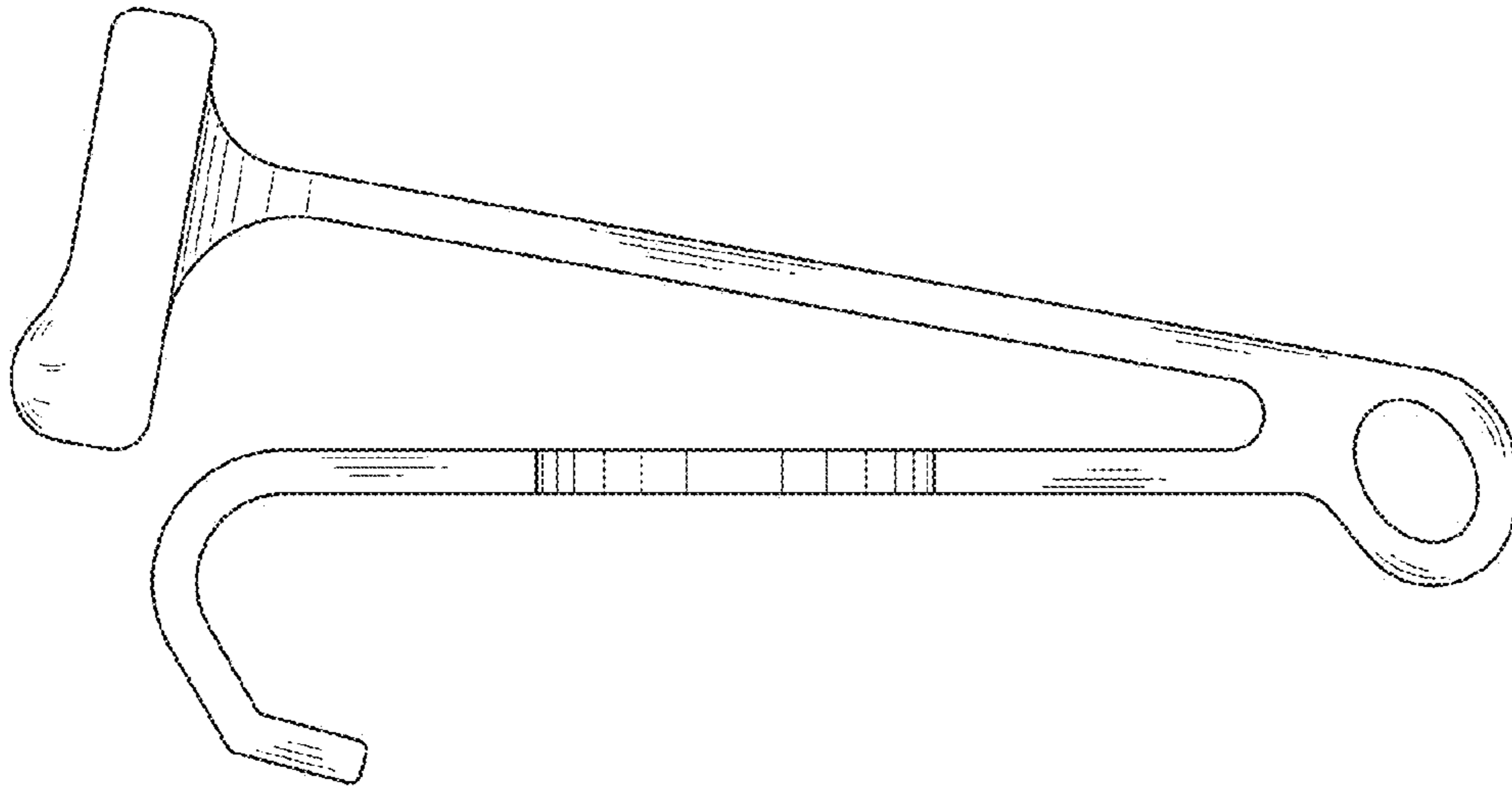


Fig. 3

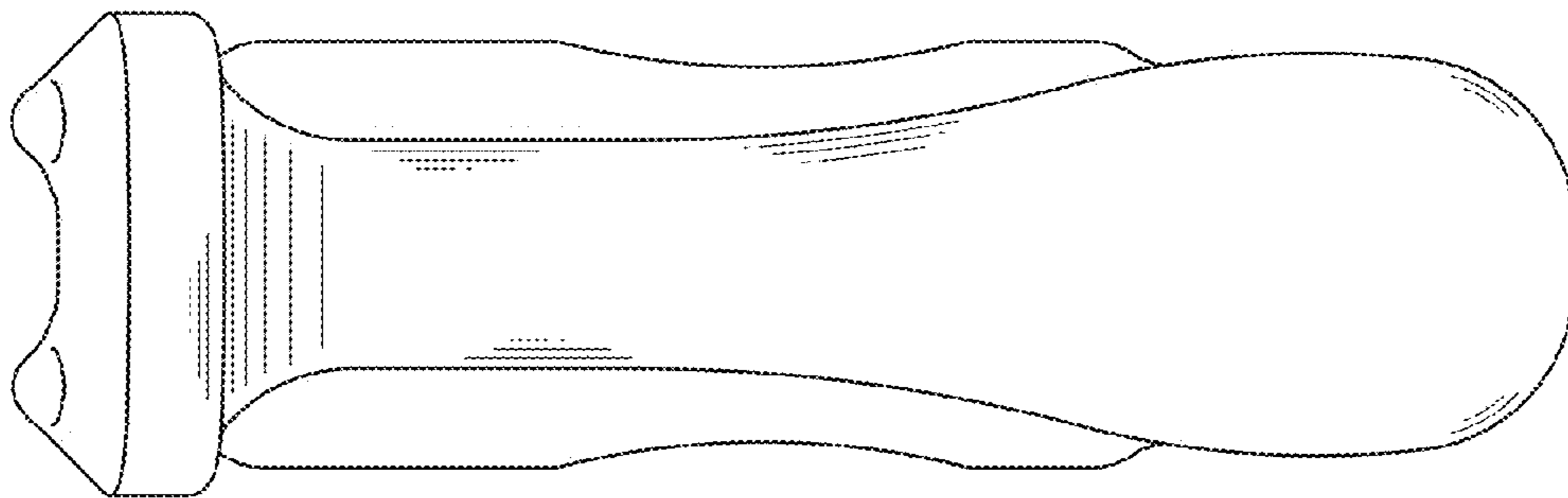


Fig. 4

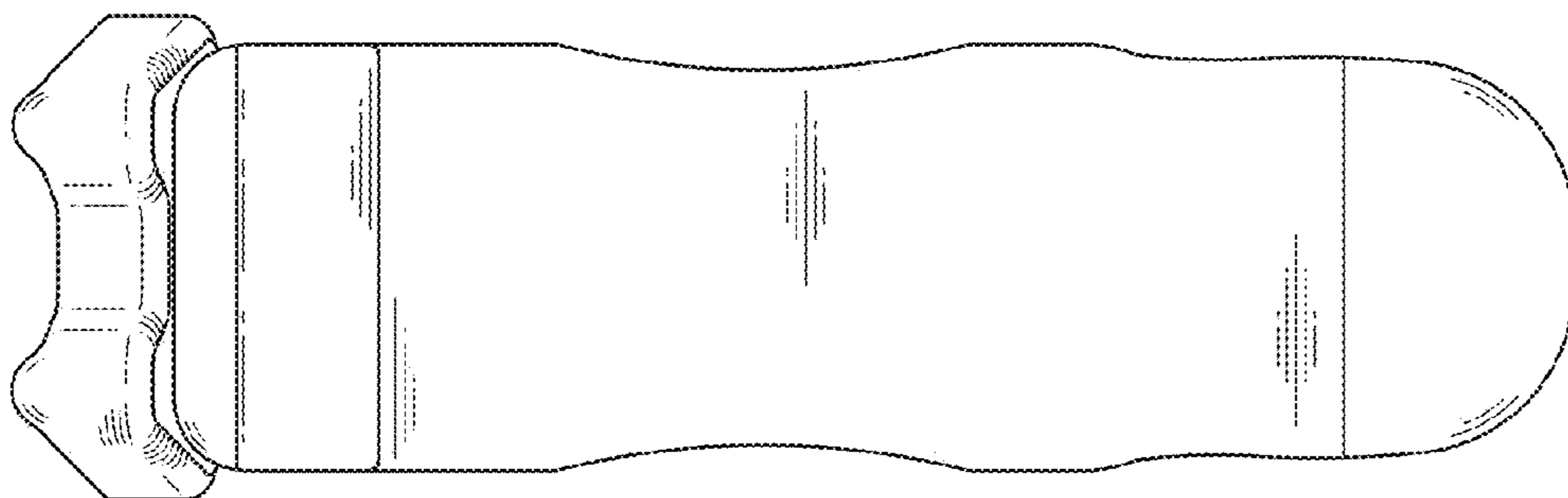


Fig. 5

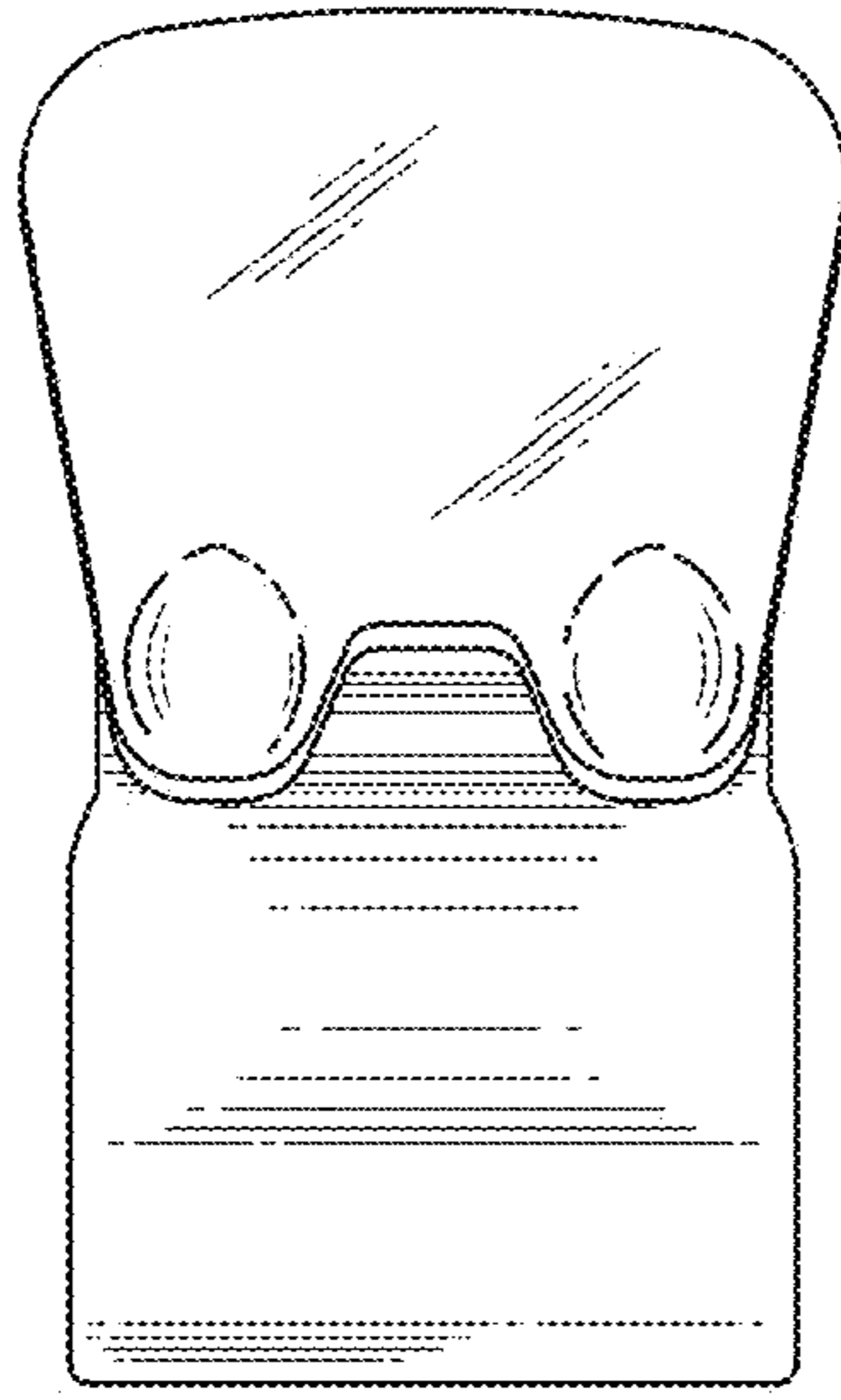


Fig. 6

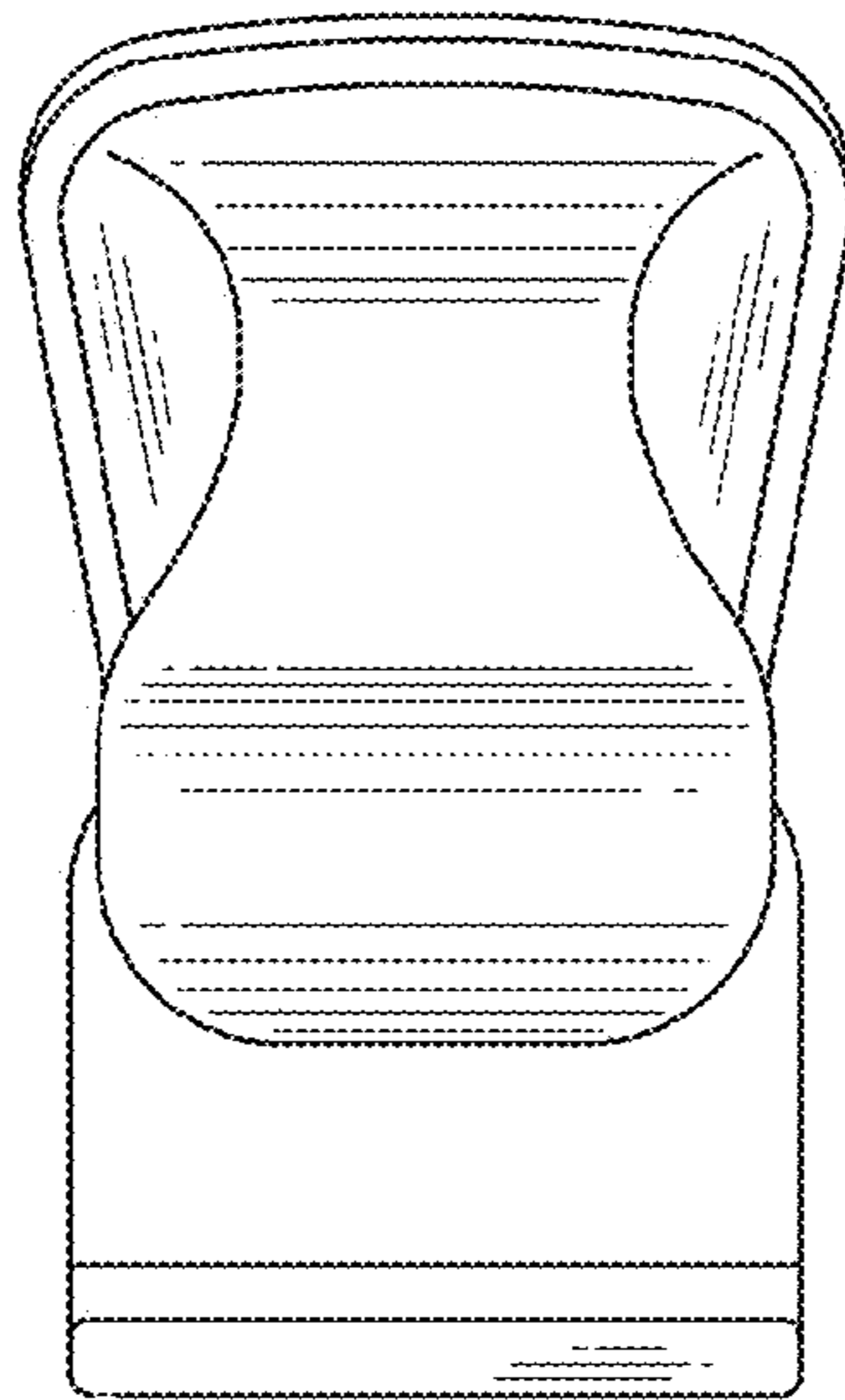


Fig. 7