



US00D736934S

(12) **United States Design Patent**  
**Kim**

(10) **Patent No.:** **US D736,934 S**

(45) **Date of Patent:** **\*\* Aug. 18, 2015**

(54) **PATIENT TABLE**

(71) Applicant: **Samsung Electronics Co., Ltd.,**  
Suwon-Si, Gyeonggi-Do (KR)

(72) Inventor: **Yun-Su Kim**, Seoul (KR)

(73) Assignee: **Samsung Electronics Co., Ltd.,**  
Gyeonggi-do (KR)

(\*\*) Term: **14 Years**

(21) Appl. No.: **29/482,714**

(22) Filed: **Feb. 21, 2014**

(30) **Foreign Application Priority Data**

Aug. 28, 2013 (KR) ..... 30-2013-0044201

(51) **LOC (10) Cl.** ..... **24-01**

(52) **U.S. Cl.**  
USPC ..... **D24/183**

(58) **Field of Classification Search**  
USPC ..... D24/183-184, 200, 158-159;  
D6/382-383, 392; 5/600-619;  
297/330, 423.19, 68  
See application file for complete search history.

(56) **References Cited**

**U.S. PATENT DOCUMENTS**

D221,910	S	*	9/1971	Brandgard	.....	D24/183
3,868,103	A	*	2/1975	Pageot et al.	.....	5/614
D249,359	S	*	9/1978	Stott et al.	.....	D24/183
D260,172	S	*	8/1981	Kyle	.....	D24/183
D270,182	S	*	8/1983	Wagner	.....	D24/159
4,508,387	A	*	4/1985	Gilbert et al.	.....	297/423.19
4,589,642	A	*	5/1986	Schnelle et al.	.....	5/608
4,865,303	A	*	9/1989	Hall	.....	5/614
D304,614	S	*	11/1989	Guttormsen	.....	D24/183

D344,802	S	*	3/1994	Kuck et al.	.....	D24/183
5,564,662	A	*	10/1996	Lussi et al.	.....	5/310
5,645,313	A	*	7/1997	Best et al.	.....	297/68
D407,819	S	*	4/1999	Markoll	.....	D24/183
6,038,718	A	*	3/2000	Pennington et al.	.....	5/618
D439,670	S	*	3/2001	Sommer	.....	D24/183
D441,868	S	*	5/2001	Rodenas Santiago	.....	et al. .... D24/183
D453,968	S	*	2/2002	Zachrisson	.....	D24/183
D462,445	S	*	9/2002	Barde et al.	.....	D24/183
D527,459	S	*	8/2006	Gireesh	.....	D24/183
D553,246	S	*	10/2007	Banryu	.....	D24/183
D630,330	S	*	1/2011	Baba	.....	D24/159
D681,208	S	*	4/2013	Ninomiya et al.	.....	D24/159
D701,605	S	*	3/2014	Ohmukai	.....	D24/183
2004/0148703	A1	*	8/2004	Doering et al.	.....	5/610

\* cited by examiner

*Primary Examiner* — T. Chase Nelson

*Assistant Examiner* — Mark Cavanna

(74) *Attorney, Agent, or Firm* — Harness, Dickey & Pierce

(57) **CLAIM**

I claim, the ornamental design for a patient table, as shown and described.

**DESCRIPTION**

FIG. 1 is the front perspective view of a patient table showing my new design;

FIG. 2 is a front elevation view thereof;

FIG. 3 is a rear elevation view thereof;

FIG. 4 is a side elevation view thereof;

FIG. 5 is another side elevation view thereof;

FIG. 6 is a top plan view thereof; and,

FIG. 7 is a bottom plan view thereof.

The broken lines are included for the purpose of illustrating unclaimed portions of the patient table and form no part of the claimed design.

**1 Claim, 7 Drawing Sheets**

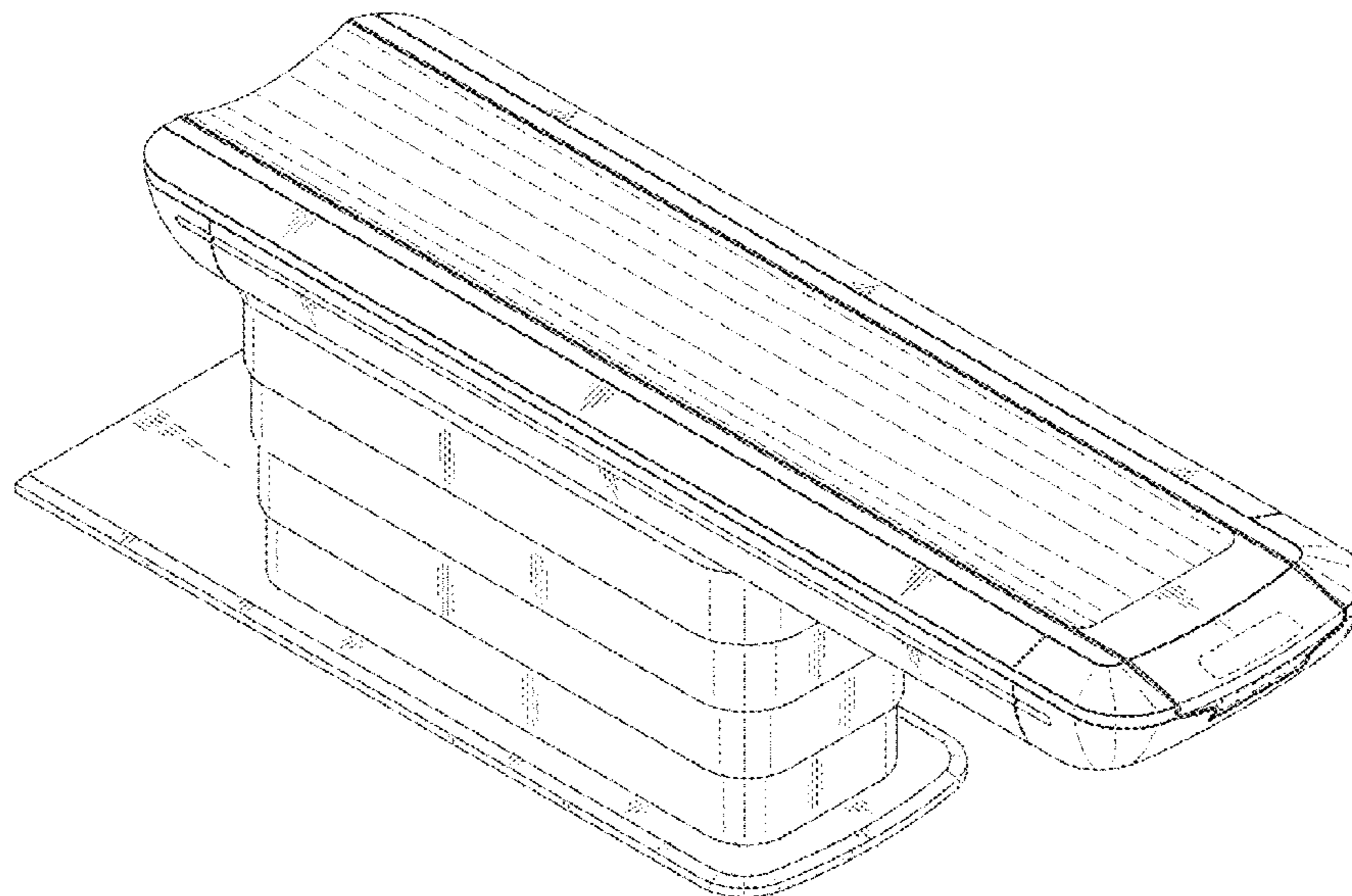


FIG. 1

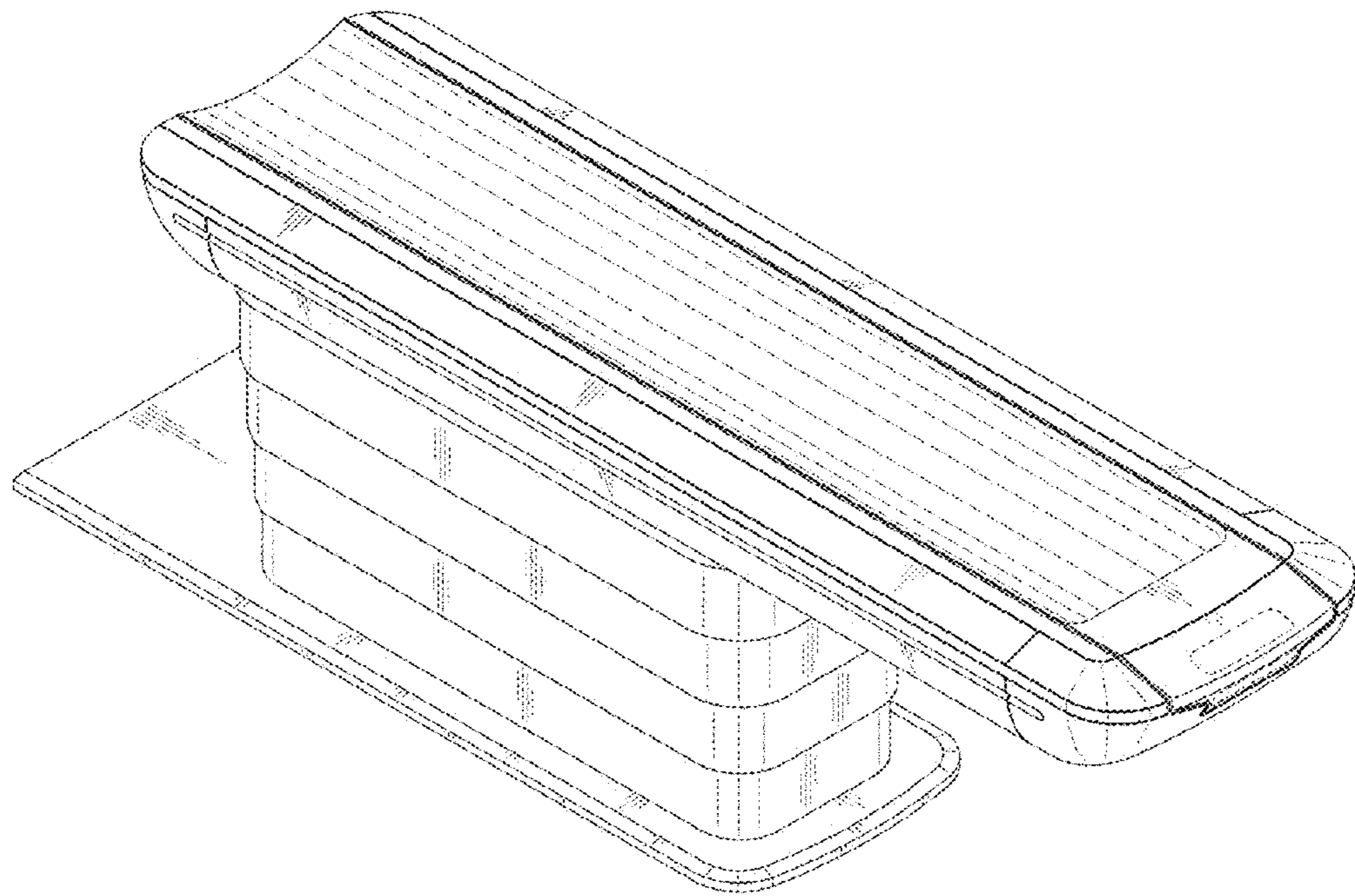


FIG.2

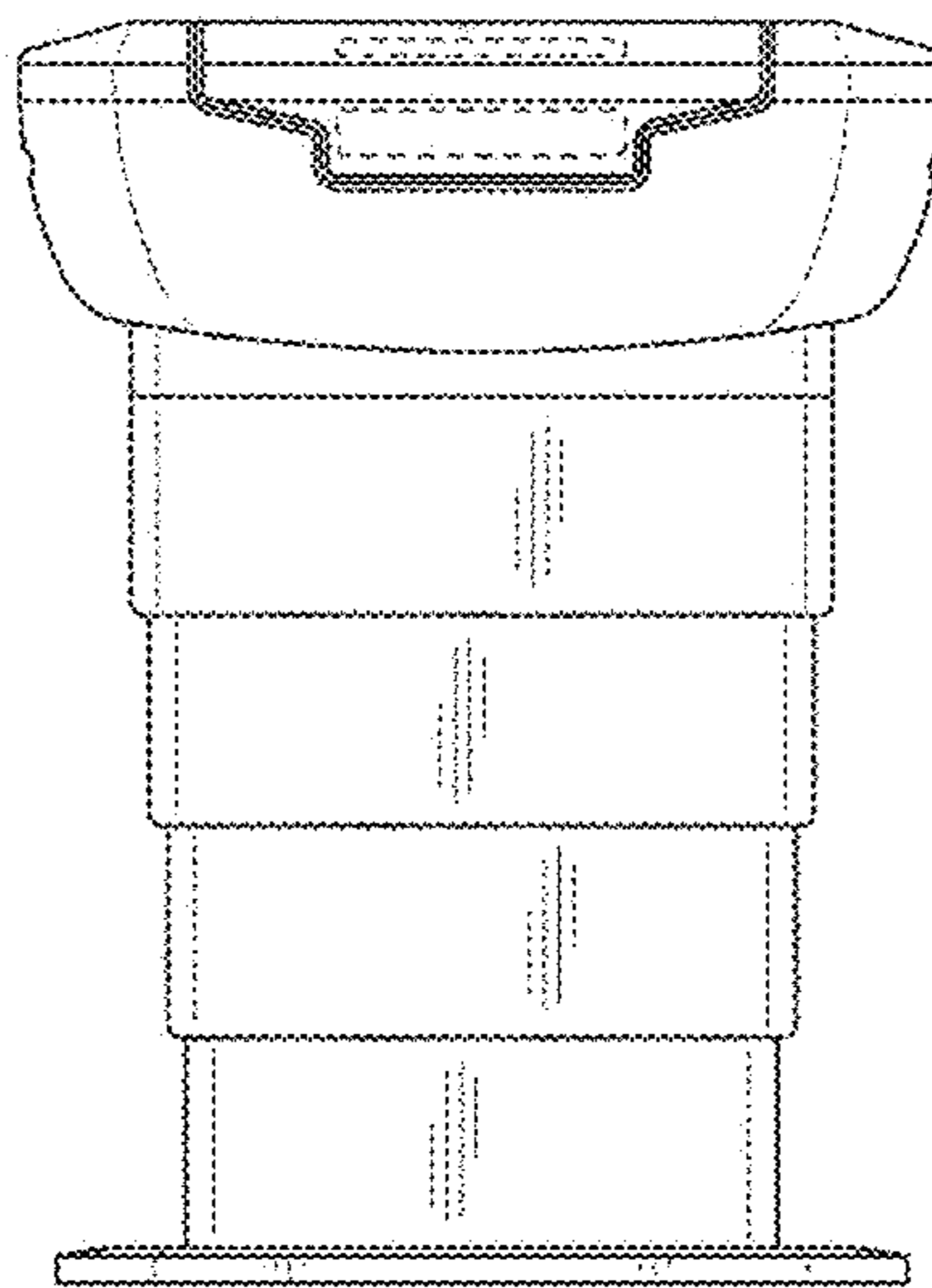


FIG.3

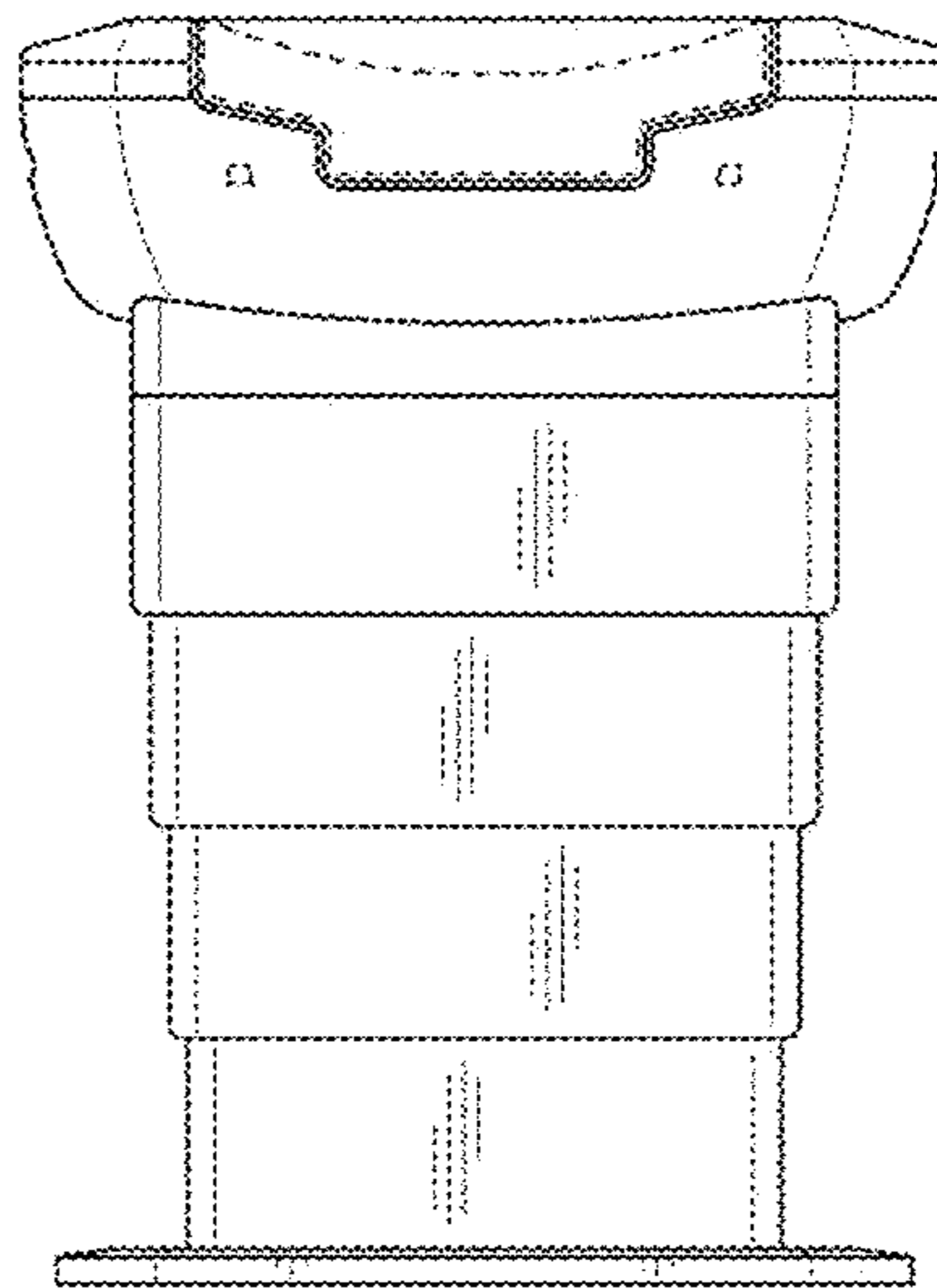


FIG.4

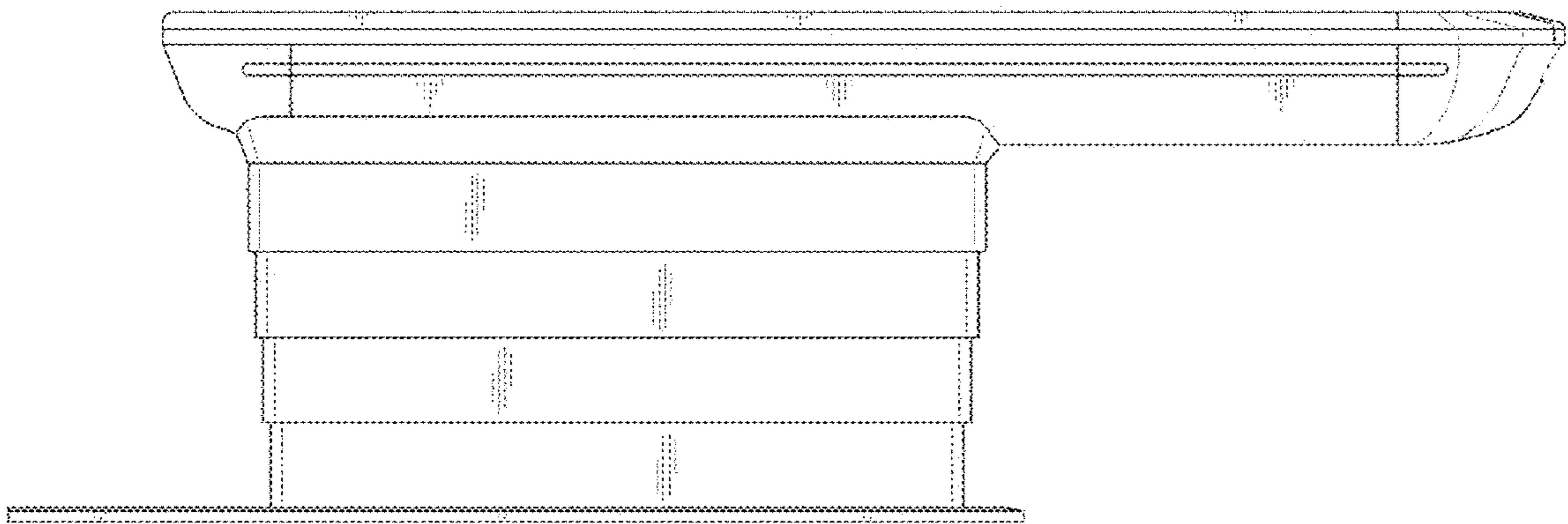


FIG. 5

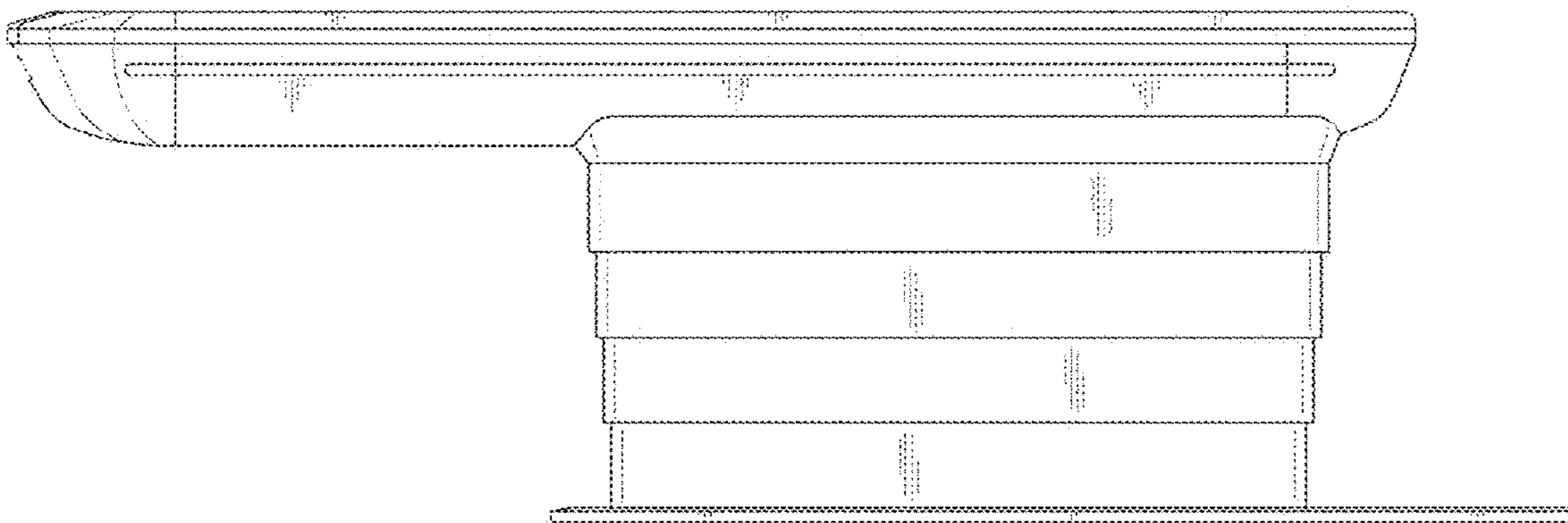




FIG. 6

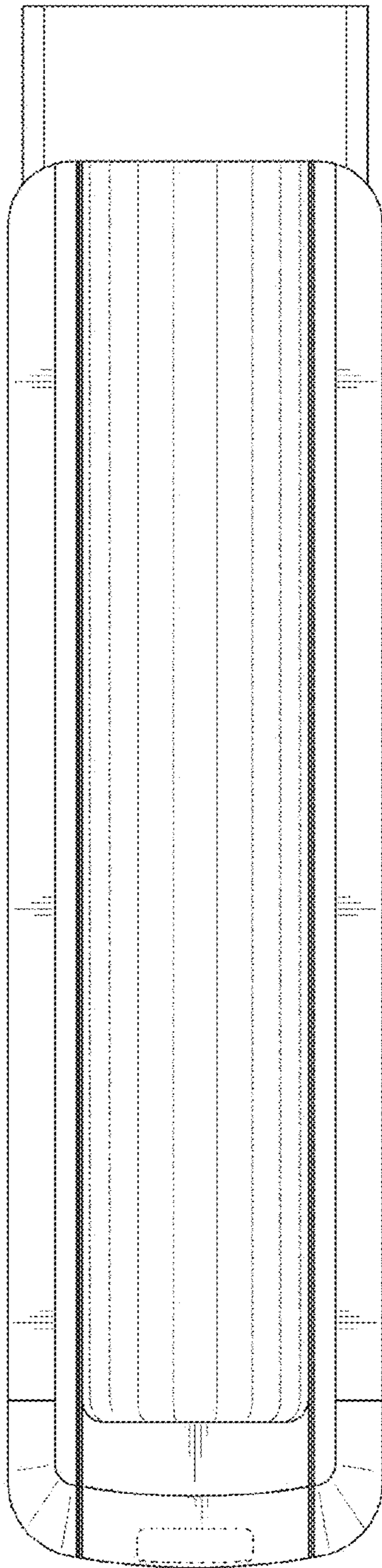


FIG.7

