



US00D736931S

(12) **United States Design Patent**
Thomas

(10) **Patent No.:** **US D736,931 S**

(45) **Date of Patent:** **** Aug. 18, 2015**

(54) **PROSTHESIS**

(71) Applicant: **OTTO BOCK HEALTHCARE GMBH, Duderstadt (DE)**

(72) Inventor: **Christian Thomas, Jena (DE)**

(73) Assignee: **OTTO BOCK HEALTHCARE GMBH, Duderstadt (DE)**

(**) Term: **14 Years**

(21) Appl. No.: **29/484,135**

(22) Filed: **Mar. 6, 2014**

(30) **Foreign Application Priority Data**

Sep. 9, 2013 (WO) 760460101

(51) **LOC (10) Cl.** **24-02**

(52) **U.S. Cl.**
USPC **D24/155**

(58) **Field of Classification Search**

USPC D24/155-157; 623/29, 38, 53, 55, 56,
623/57, 64, 17.11, 19.11, 44; 135/65

CPC A61F 2/80; A61F 2/60; A61F 2/76;
A61F 2/68; A61F 2/64; A61F 2220/0025;
A61F 2002/607; A61F 2220/0041; A61F
2002/5007; A61F 2002/802

See application file for complete search history.

(56) **References Cited**

U.S. PATENT DOCUMENTS

D439,339 S * 3/2001 Sawatzki D24/155
D446,304 S * 8/2001 Sawatzki et al. D24/155

D522,142 S * 5/2006 Boiten D24/155
D523,959 S * 6/2006 Muehlenberend D24/155
D525,709 S * 7/2006 Boiten D24/155
D526,062 S * 8/2006 Harn et al. D24/155
D526,412 S * 8/2006 Harn et al. D24/155
D527,458 S * 8/2006 Harn et al. D24/155
D553,741 S * 10/2007 Chen D24/155
D592,749 S * 5/2009 Muhlenberend D24/155
D632,790 S * 2/2011 Cheng D24/155

FOREIGN PATENT DOCUMENTS

EM 001733122-0002 7/2010
KR 3003126210000 11/2002

* cited by examiner

Primary Examiner — Ian Simmons

Assistant Examiner — Charles Hanson

(74) *Attorney, Agent, or Firm* — Holland and Hart

(57) **CLAIM**

The ornamental design for a prosthesis, as shown and described.

DESCRIPTION

FIG. 1 is a perspective view of a prosthesis according to the present invention;

FIG. 2 is a front view thereof;

FIG. 3 is a left side view thereof;

FIG. 4 is a top view thereof;

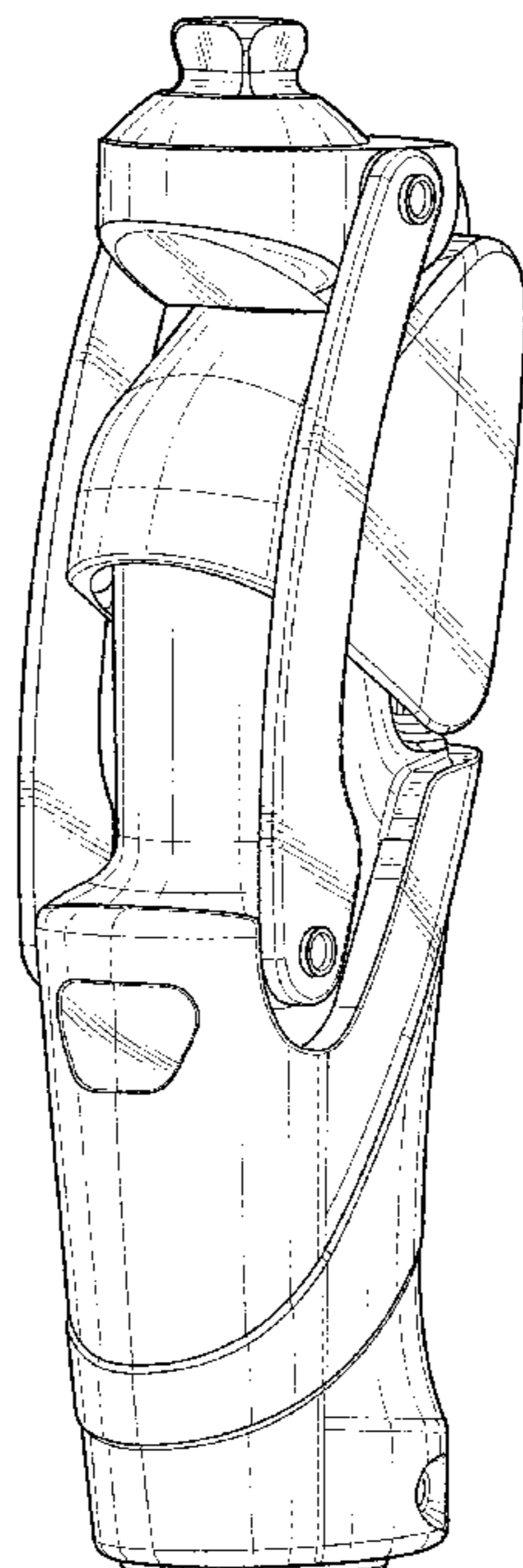
FIG. 5 is a rear view thereof;

FIG. 6 is a right side view thereof; and,

FIG. 7 is a bottom view thereof.

The broken line showing is included for the purpose of illustrating environment and forms no part of the claimed design.

1 Claim, 7 Drawing Sheets



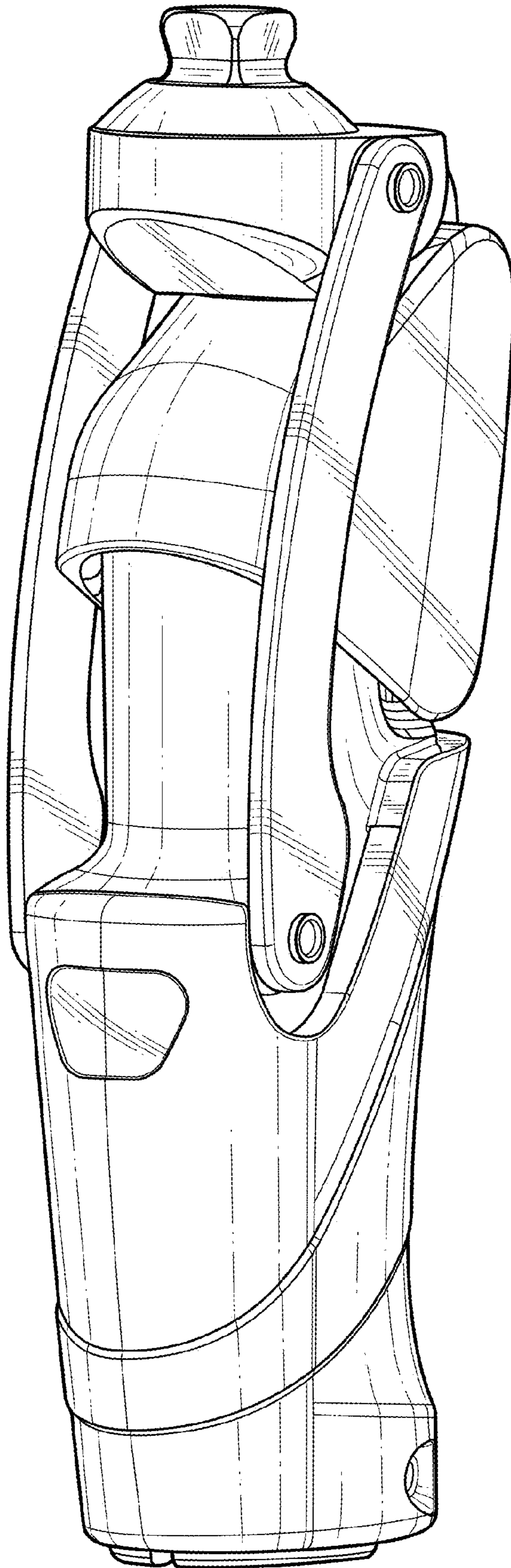


Fig. 1

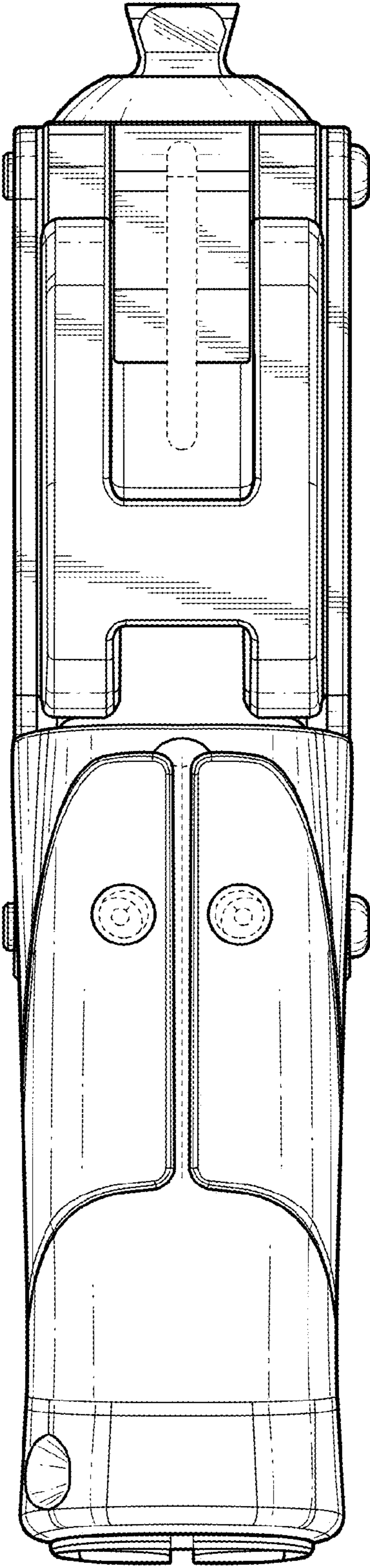


Fig. 2

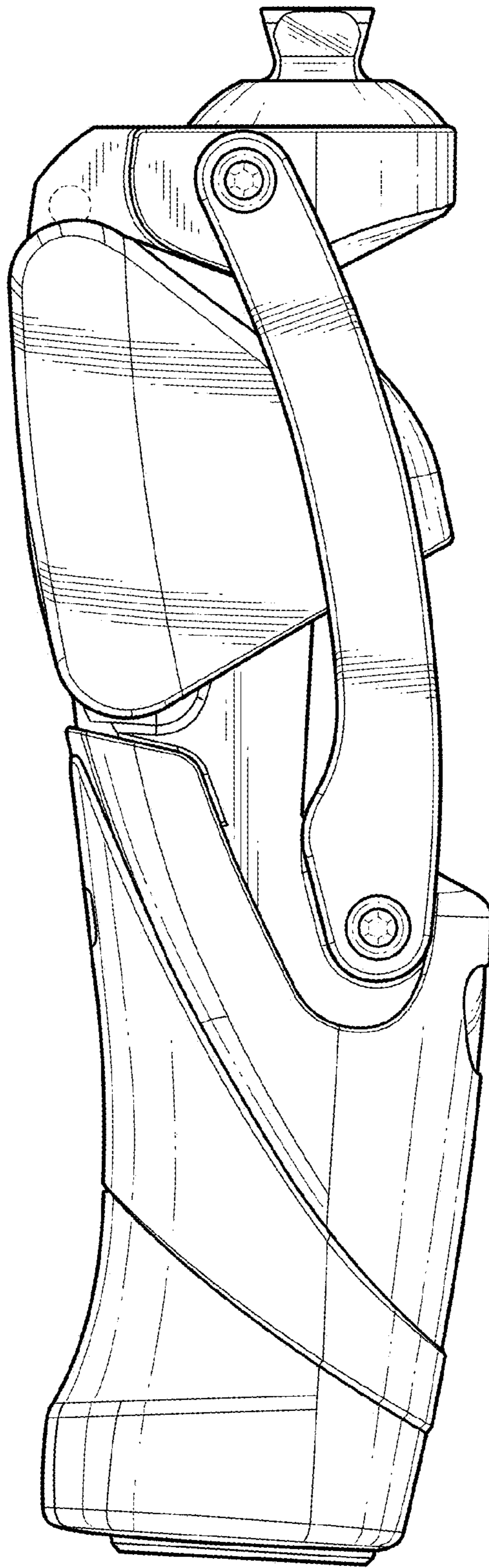


Fig. 3

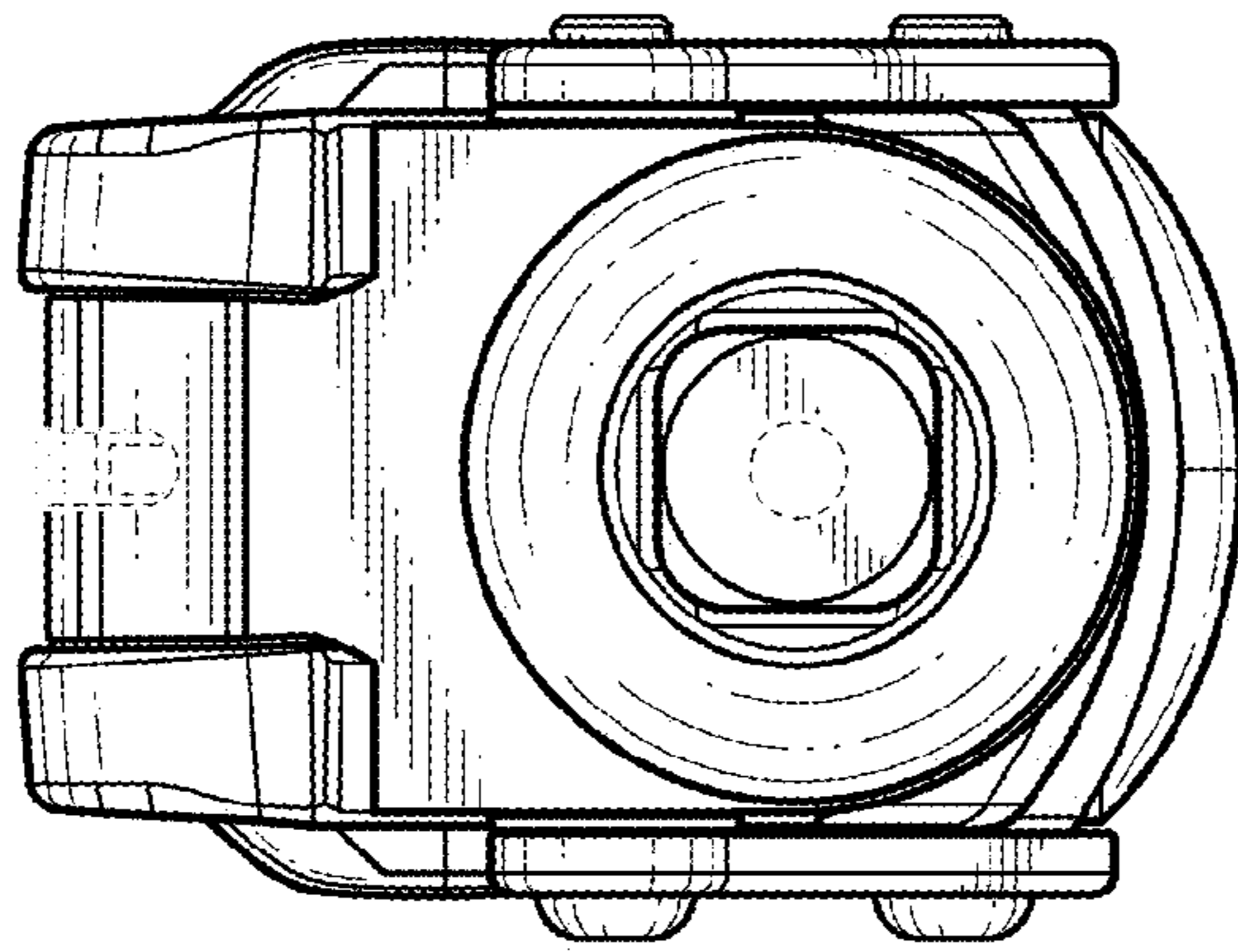


Fig. 4

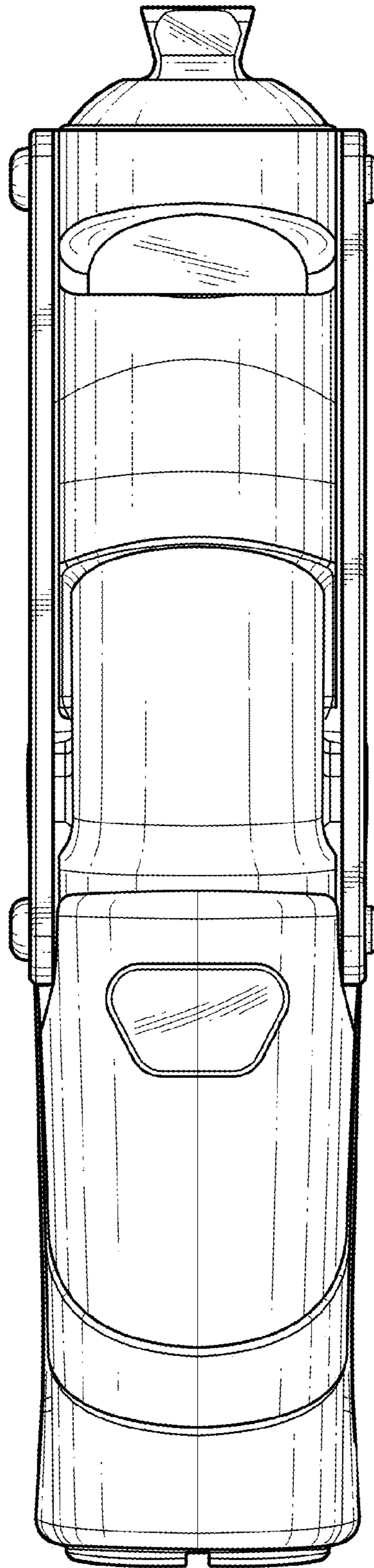


Fig. 5

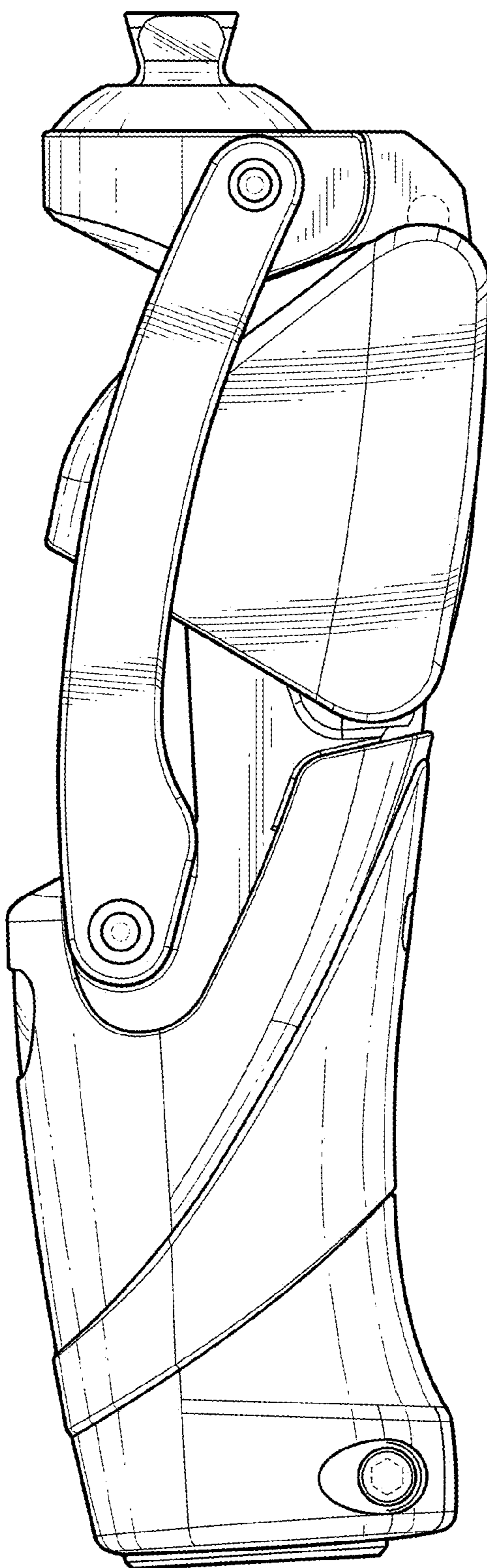


Fig. 6

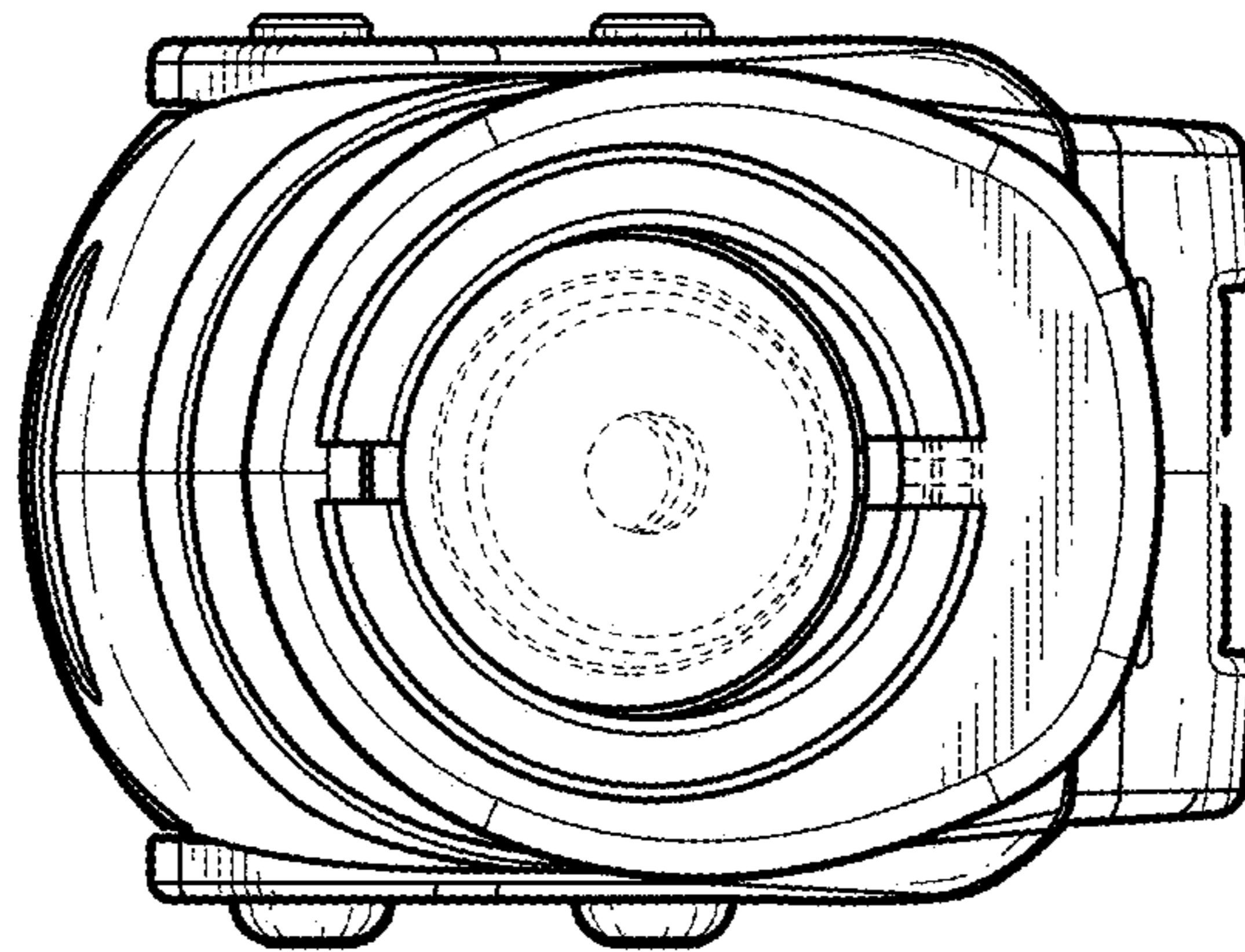


Fig. 7