



US00D736929S

(12) **United States Design Patent**  
**Kagawa**

(10) **Patent No.:** **US D736,929 S**

(45) **Date of Patent:** **\*\* Aug. 18, 2015**

(54) **DENTAL HANDPIECE**

(71) Applicant: **Takeshi Kagawa**, Kanuma (JP)

(72) Inventor: **Takeshi Kagawa**, Kanuma (JP)

(73) Assignee: **Nakanishi Inc.**, Kanuma-shi (JP)

(\*\*) Term: **14 Years**

(21) Appl. No.: **29/490,726**

(22) Filed: **May 13, 2014**

(51) **LOC (10) Cl.** ..... **24-02**

(52) **U.S. Cl.**  
USPC ..... **D24/152**

(58) **Field of Classification Search**  
USPC ..... D24/146, 152, 154; 433/82, 88, 98-99,  
433/114, 126, 141-142, 146  
See application file for complete search history.

(56) **References Cited**

**U.S. PATENT DOCUMENTS**

D261,032	S	*	9/1981	Marucci et al.	.....	D24/146
4,619,614	A	*	10/1986	Baba et al.	.....	433/99
5,639,236	A	*	6/1997	Martin	.....	433/114
5,908,295	A	*	6/1999	Kawata	.....	433/132
6,257,886	B1	*	7/2001	Warner	.....	433/82

D499,486	S	*	12/2004	Kuhn et al.	.....	D24/152
D648,026	S	*	11/2011	Okawa et al.	.....	D24/152
8,764,442	B2	*	7/2014	Mansour	.....	433/82
2003/0215768	A1	*	11/2003	Aumuller et al.	.....	433/88

\* cited by examiner

*Primary Examiner* — Wan Laymon

(74) *Attorney, Agent, or Firm* — Jason D. Voight

(57) **CLAIM**

The ornamental design for a dental handpiece, as shown and described.

**DESCRIPTION**

FIG. 1 is a perspective view of a dental handpiece;  
FIG. 2 is a further perspective view thereof;  
FIG. 3 is a front elevation thereof;  
FIG. 4 is a rear elevation thereof;  
FIG. 5 is a top view thereof;  
FIG. 6 is a bottom view thereof;  
FIG. 7 is a right side elevation thereof; and,  
FIG. 8 is a left side elevation thereof.

The broken lines in FIG. 7 are included for the purpose of illustrating a portion of the dental handpiece that forms no part of the claimed design.

**1 Claim, 4 Drawing Sheets**

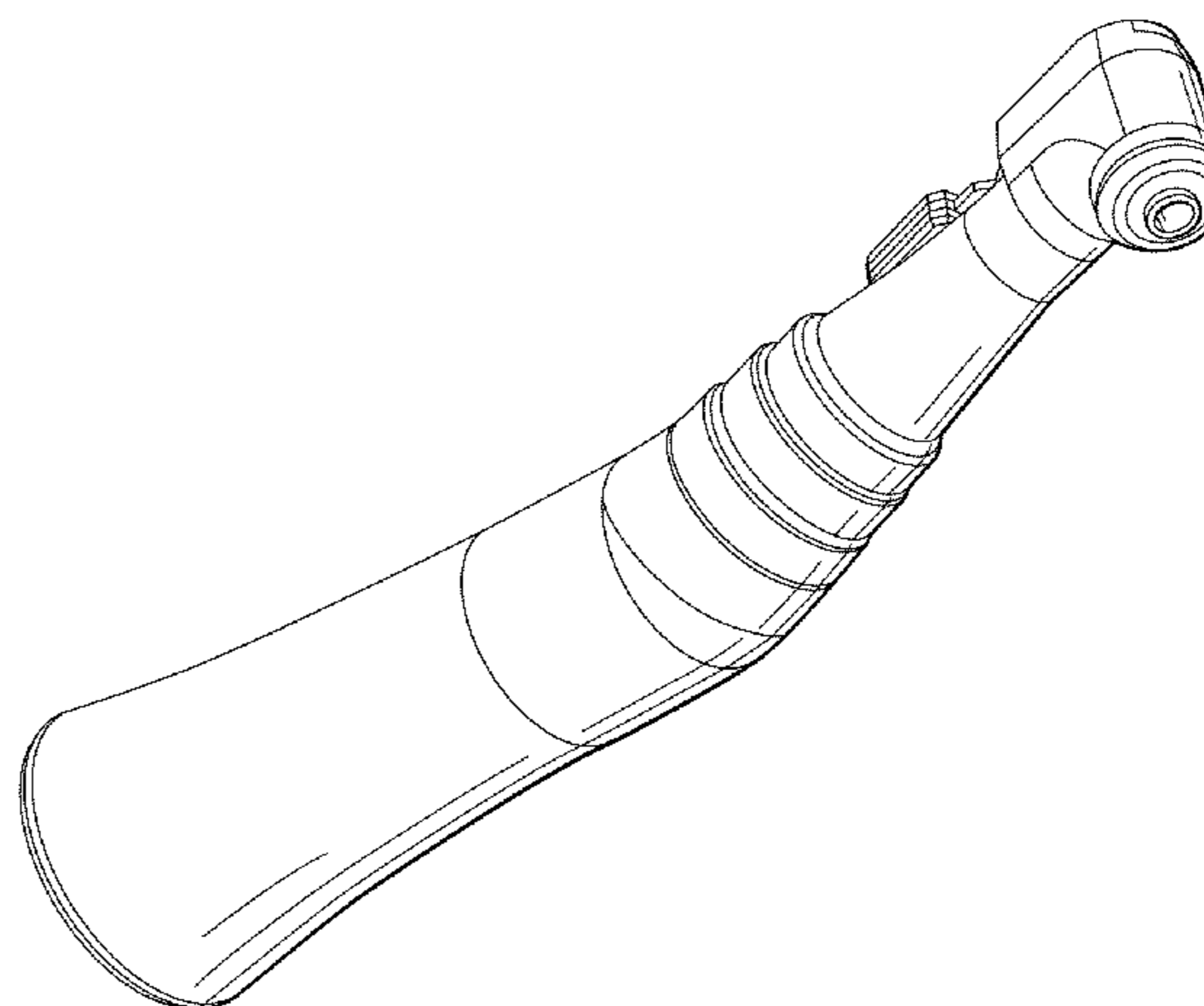
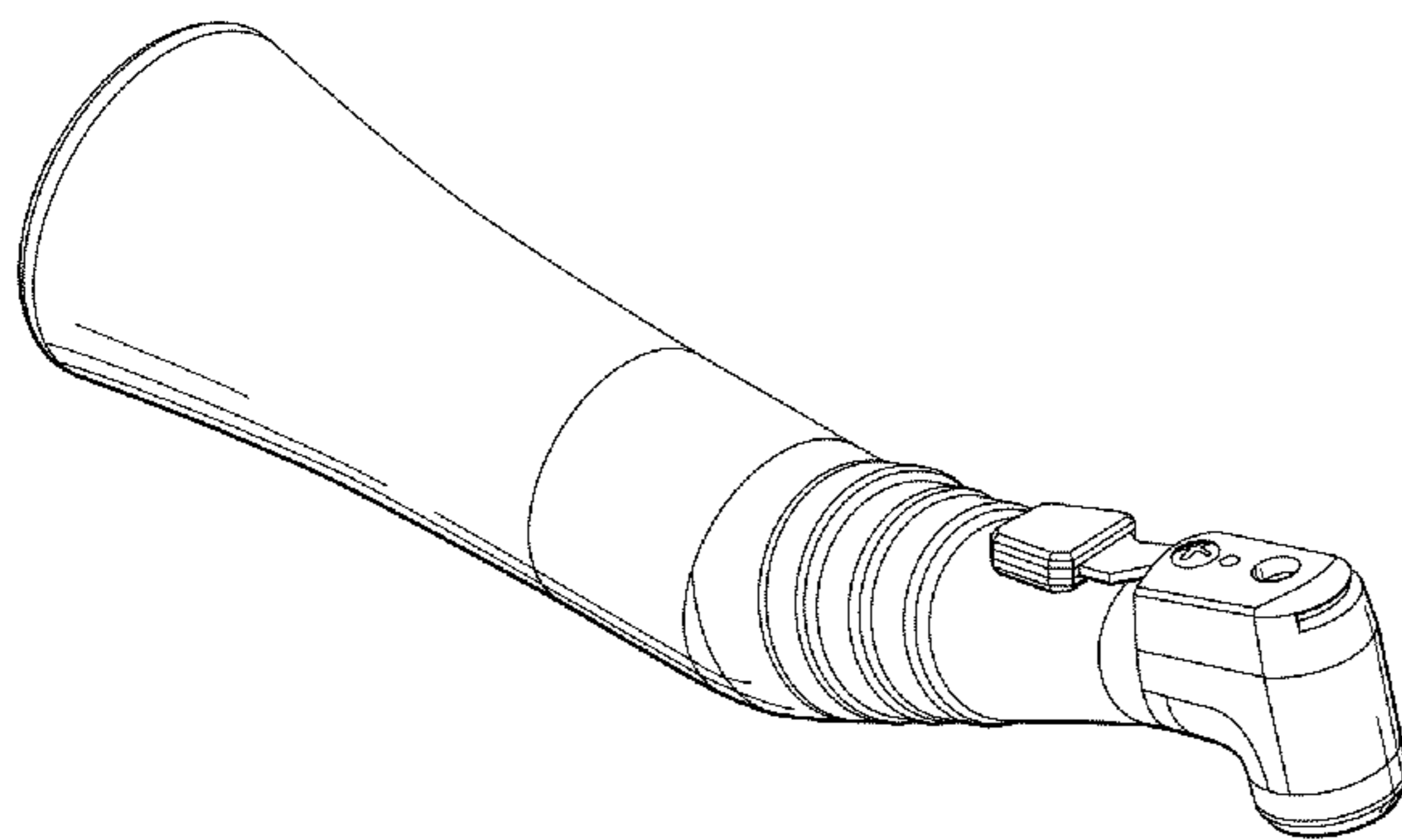


FIG.1

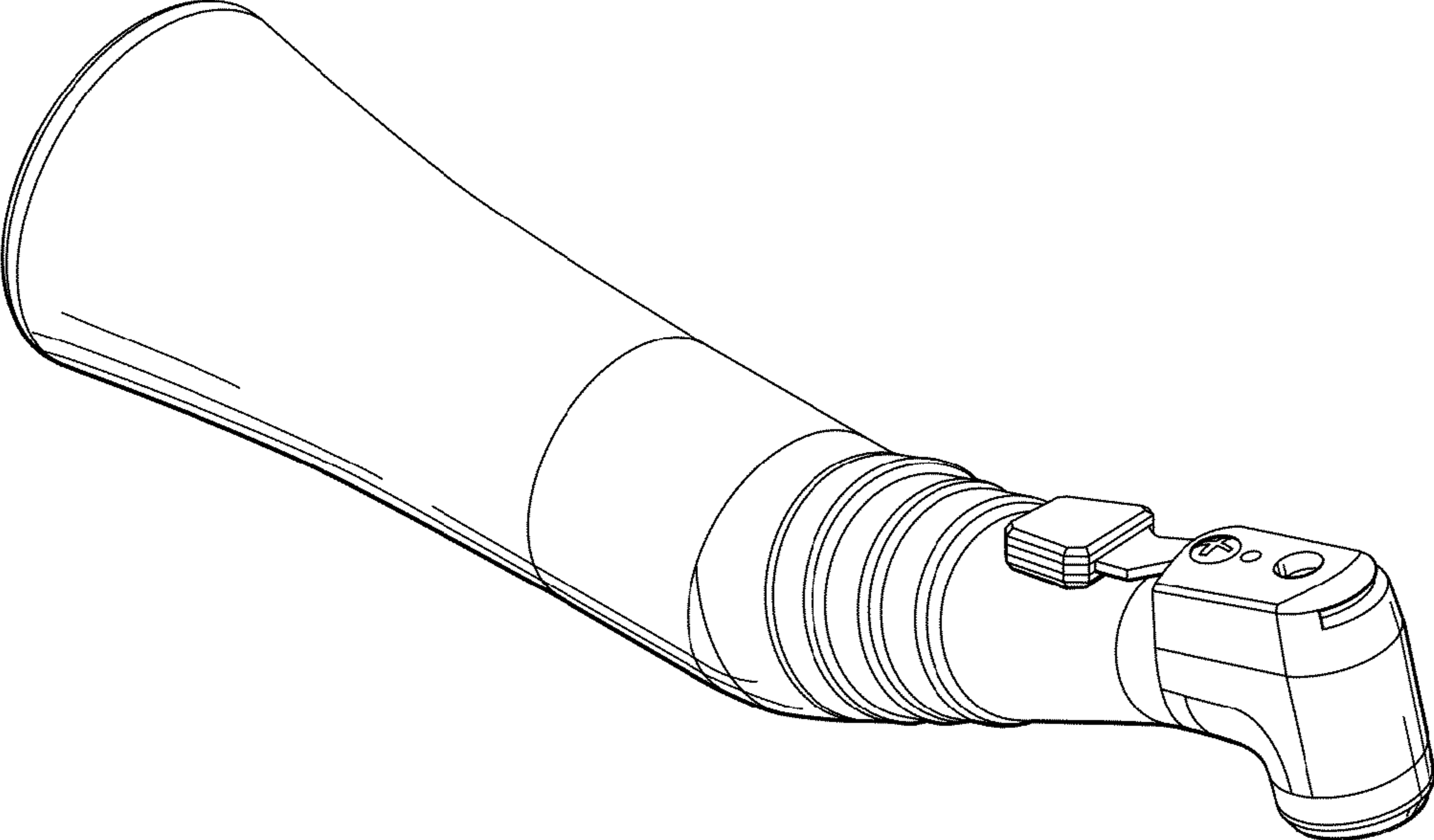


FIG.2

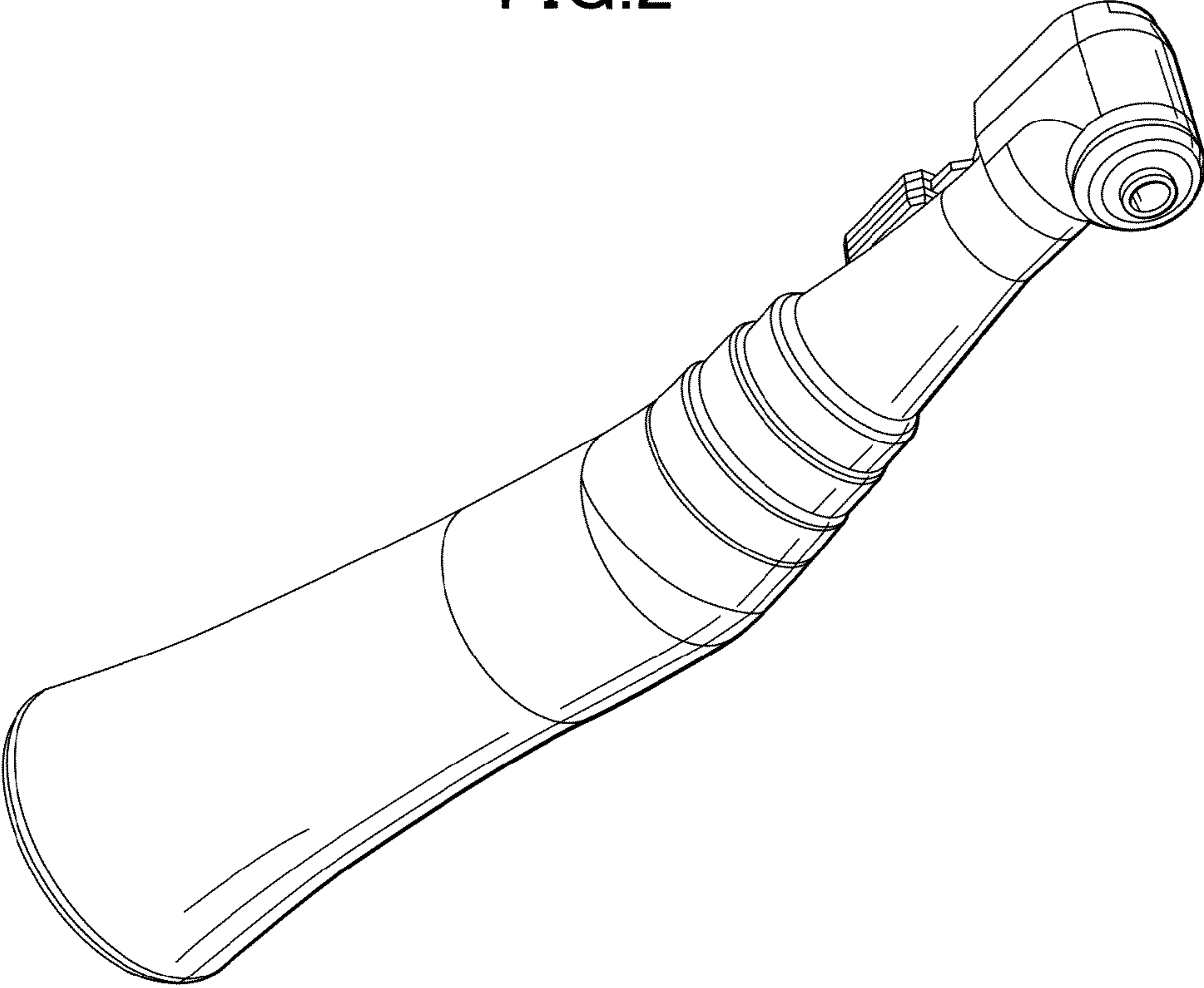


FIG.3

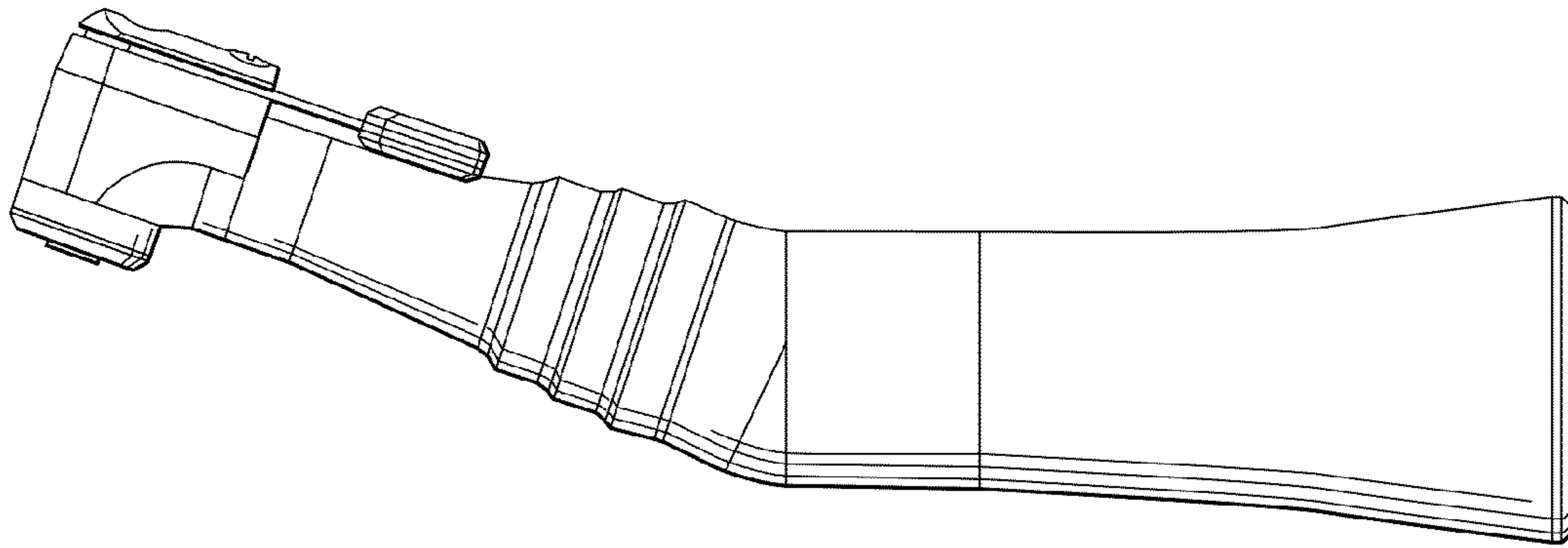


FIG.4

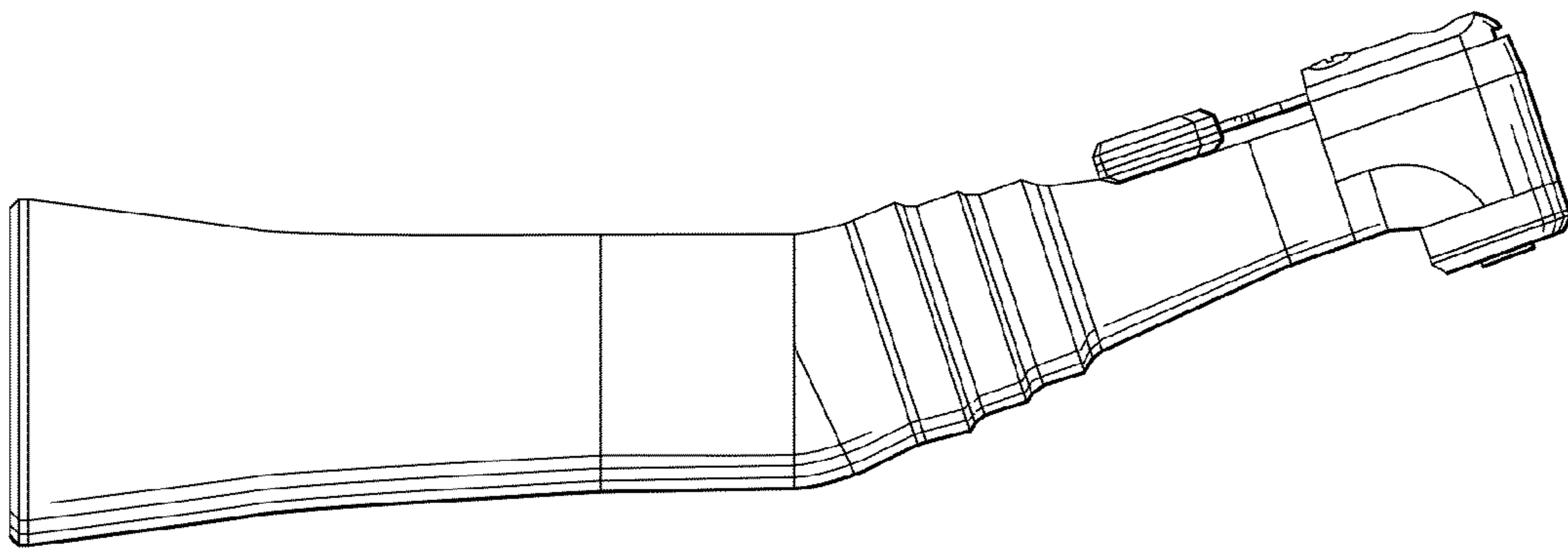


FIG.5

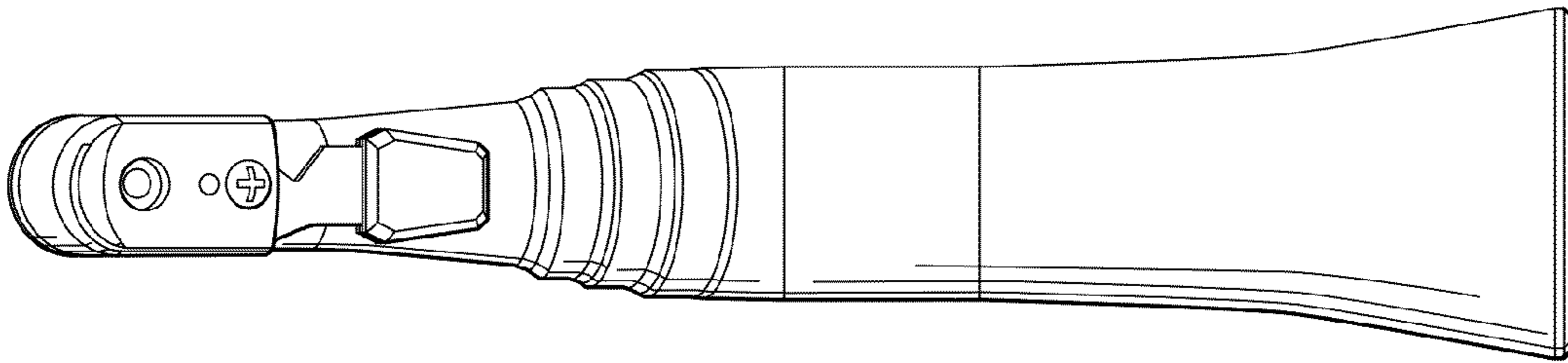


FIG.6

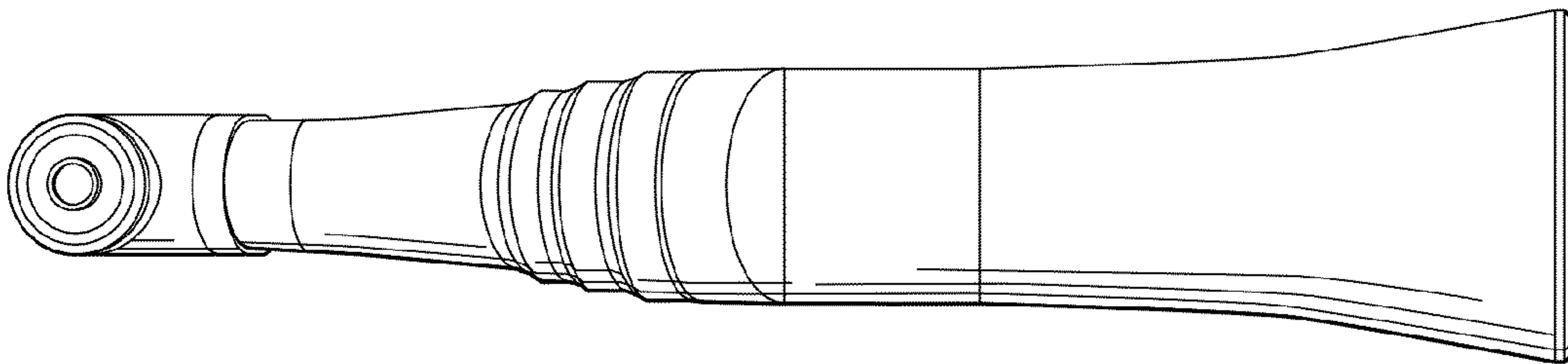


FIG.7

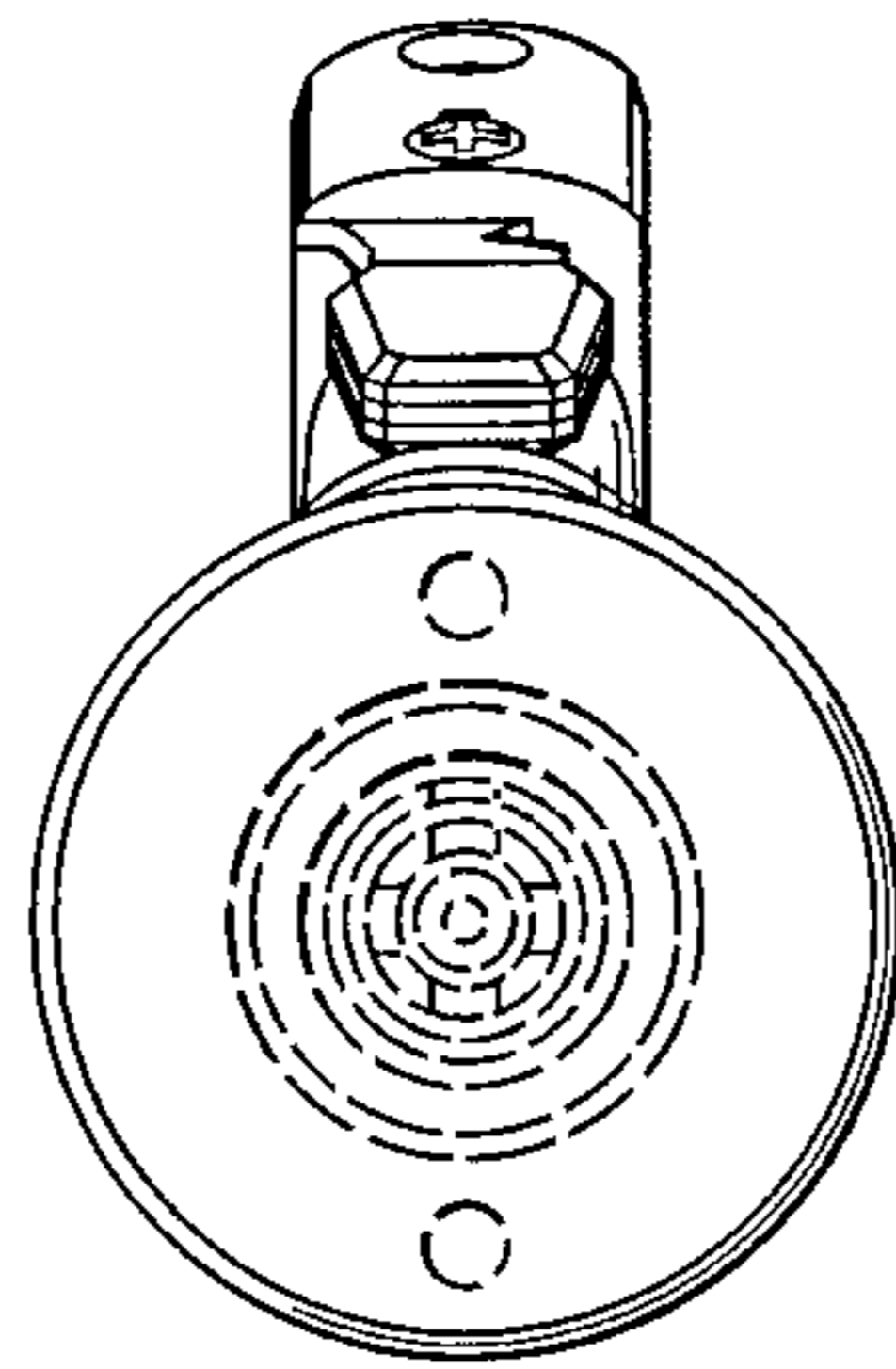


FIG.8

