

US00D736926S

(12) **United States Design Patent**
Minnelli et al.

(10) **Patent No.:** **US D736,926 S**

(45) **Date of Patent:** **** Aug. 18, 2015**

(54) **TROCAR HOUSING**

(71) Applicant: **Ethicon Endo-Surgery, Inc.**, Cincinnati, OH (US)

(72) Inventors: **Patrick J. Minnelli**, Harrison, OH (US);
Kevin M. Montgomery, Camden, OH (US)

(73) Assignee: **Ethicon Endo-Surgery, Inc.**, Cincinnati, OH (US)

(**) Term: **14 Years**

(21) Appl. No.: **29/479,626**

(22) Filed: **Jan. 17, 2014**

Related U.S. Application Data

(63) Continuation of application No. 29/399,721, filed on Aug. 17, 2011, now Pat. No. Des. 700,326, which is a continuation of application No. 12/902,265, filed on Oct. 12, 2010, now Pat. No. 8,636,686, which is a

(Continued)

(51) **LOC (10) Cl.** **24-02**

(52) **U.S. Cl.**
USPC **D24/147**

(58) **Field of Classification Search**
USPC D24/147, 140, 133, 146; 604/164, 604/167.07, 167.04, 158, 167, 256, 264; 600/566, 567, 568; 606/167, 170, 606/184-185
CPC A61B 17/3421; A61B 2017/345; A61B 2017/3452; A61B 2017/3437; A61B 17/34; A61B 2017/3407; A61B 2017/3409

See application file for complete search history.

(56) **References Cited**

U.S. PATENT DOCUMENTS

477,639 A 6/1892 Brinkerhoff
1,641,856 A 9/1927 Lloyd et al.

(Continued)

FOREIGN PATENT DOCUMENTS

CA 2060930 A1 10/1992
CA 2661238 A1 10/2009

(Continued)

OTHER PUBLICATIONS

Extended European Search Report issued in European Application No. 12173272.1 dated Jul. 19, 2012.

(Continued)

Primary Examiner — Ian Simmons

Assistant Examiner — Carissa C Fitts

(74) *Attorney, Agent, or Firm* — Mintz Levin Cohn Ferris Glovsky and Popeo, P.C.

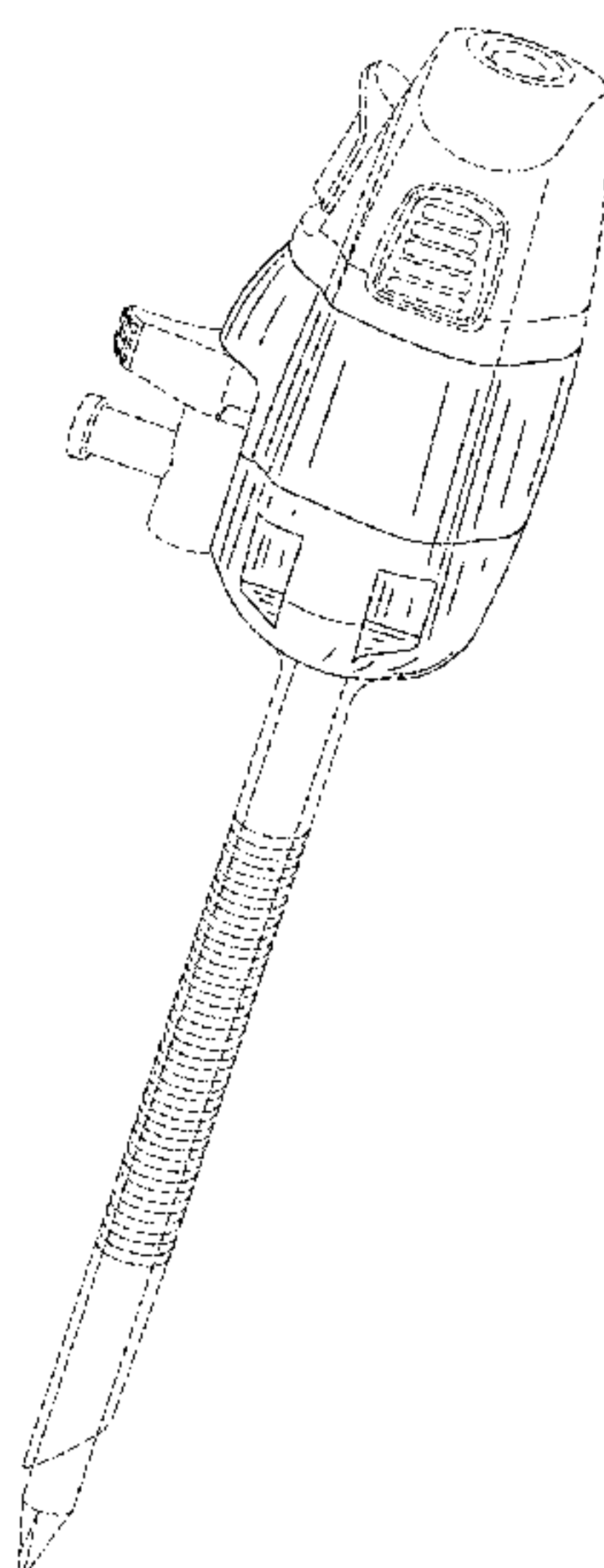
(57) **CLAIM**

The ornamental design for a trocar housing, as shown and described.

DESCRIPTION

FIG. 1 is a perspective view of a trocar having a trocar housing, a cannula shown in phantom extending from the trocar housing, an obturator shown in phantom extending through the trocar housing and the cannula, and a stopcock shown in phantom located adjacent to the trocar housing; FIG. 2 is a first side view of the trocar of FIG. 1; FIG. 3 is a second side view of the trocar of FIG. 1; FIG. 4 is a third side view of the trocar of FIG. 1; FIG. 5 is a fourth side view of the trocar of FIG. 1; FIG. 6 is a top view of the trocar of FIG. 1; and FIG. 7 is a top view of the trocar housing of FIG. 1, with the obturator removed.

1 Claim, 4 Drawing Sheets



Related U.S. Application Data

continuation-in-part of application No. 12/533,590, filed on Jul. 31, 2009, now Pat. No. 8,568,362, which is a continuation-in-part of application No. 12/110,724, filed on Apr. 28, 2008, now Pat. No. 8,579,807, and a continuation-in-part of application No. 12/110,727, filed on Apr. 28, 2008, now Pat. No. 8,870,747, and a continuation-in-part of application No. 12/110,742, filed on Apr. 28, 2008, and a continuation-in-part of application No. 12/110,755, filed on Apr. 28, 2008, now Pat. No. 8,273,060.

(56)

References Cited

U.S. PATENT DOCUMENTS

1,775,403 A	9/1930	Maclean	5,342,315 A	8/1994	Rowe et al.
2,628,404 A	2/1953	Myers	5,347,988 A	9/1994	Hori
3,229,691 A	1/1966	Crowe, Jr.	5,354,302 A	10/1994	Ko
3,900,022 A	8/1975	Widran	5,364,002 A	11/1994	Green et al.
3,903,877 A	9/1975	Terada	5,369,525 A	11/1994	Bala et al.
3,924,608 A	12/1975	Mitsui	5,370,656 A	12/1994	Shevel
3,980,078 A	9/1976	Tominaga	5,377,669 A	1/1995	Schulz
3,981,276 A	9/1976	Ernest	5,382,297 A	1/1995	Valentine et al.
4,204,563 A	5/1980	Pyle	5,386,817 A	2/1995	Jones
4,279,246 A	7/1981	Chikama	5,387,197 A	2/1995	Smith et al.
4,281,646 A	8/1981	Kinoshita	5,389,081 A	2/1995	Castro
4,335,721 A	6/1982	Matthews	5,391,154 A	2/1995	Young
4,352,527 A	10/1982	Sandstrom	5,392,766 A	2/1995	Masterson et al.
4,363,357 A	12/1982	Hunter	5,395,342 A	3/1995	Yoon
4,453,838 A	6/1984	Loizeau	5,400,767 A	3/1995	Murdoch
4,651,517 A	3/1987	Benhamou et al.	5,407,433 A	4/1995	Loomas
4,687,033 A	8/1987	Furrow et al.	5,419,309 A	5/1995	Biehl
4,690,140 A	9/1987	Mecca	5,419,311 A	5/1995	Yabe et al.
4,722,000 A	1/1988	Chatenever	5,441,513 A	8/1995	Roth
4,836,187 A	6/1989	Iwakoshi et al.	5,443,452 A	8/1995	Hart et al.
4,844,052 A	7/1989	Iwakoshi et al.	5,448,990 A	9/1995	De Faria-Correa
4,847,364 A	7/1989	Mockli	5,449,370 A	9/1995	Vaitekunas
4,877,016 A	10/1989	Kantor et al.	5,458,633 A	10/1995	Bailey
4,919,305 A	4/1990	Podgers	5,458,640 A	10/1995	Gerrone
4,929,235 A	5/1990	Merry et al.	5,462,100 A	10/1995	Covert et al.
4,934,135 A	6/1990	Rozenwasser	5,464,008 A	11/1995	Kim
4,942,867 A	7/1990	Takahashi et al.	5,476,475 A	12/1995	Gadberry
4,943,280 A	7/1990	Lander	5,486,154 A	1/1996	Kelleher
4,958,970 A	9/1990	Rose et al.	5,492,304 A	2/1996	Smith et al.
4,960,412 A	10/1990	Fink	5,496,142 A	3/1996	Fodor et al.
5,000,745 A	3/1991	Guest et al.	5,496,280 A	3/1996	Vandenbroek et al.
5,013,199 A	5/1991	Downes	5,496,345 A	3/1996	Kieturakis et al.
5,084,057 A	1/1992	Green et al.	5,496,411 A	3/1996	Candy
5,104,383 A	4/1992	Shichman	5,514,084 A	5/1996	Fisher
5,112,308 A	5/1992	Olsen et al.	5,514,153 A	5/1996	Bonutti
5,127,909 A	7/1992	Shichman	5,518,026 A	5/1996	Benjey
5,167,220 A	12/1992	Brown	5,518,502 A	5/1996	Kaplan et al.
5,180,373 A	1/1993	Green et al.	5,522,833 A *	6/1996	Stephens et al. 606/185
5,191,878 A	3/1993	Iida et al.	5,533,496 A	7/1996	De Faria-Correa et al.
5,197,955 A	3/1993	Stephens et al.	5,535,759 A	7/1996	Wilk
5,201,714 A	4/1993	Gentelia et al.	5,536,234 A	7/1996	Newman
5,207,213 A	5/1993	Auhll et al.	5,542,931 A	8/1996	Gravener et al.
5,209,737 A	5/1993	Ritchart et al.	5,545,142 A	8/1996	Stephens et al.
5,226,891 A	7/1993	Bushatz et al.	5,545,179 A	8/1996	Williamson, IV
5,237,984 A	8/1993	Williams, III et al.	5,549,543 A	8/1996	Kim
5,242,412 A	9/1993	Blake, III	5,551,448 A	9/1996	Matula et al.
5,256,149 A	10/1993	Banik et al.	5,554,151 A	9/1996	Hinchliffe
5,279,542 A	1/1994	Wilk	5,568,828 A	10/1996	Harris
5,308,336 A	5/1994	Hart et al.	5,569,183 A	10/1996	Kieturakis
5,312,351 A	5/1994	Gerrone	5,569,205 A	10/1996	Hart et al.
5,312,363 A	5/1994	Ryan et al.	5,575,756 A	11/1996	Karasawa et al.
5,312,397 A	5/1994	Cosmescu	5,584,850 A	12/1996	Hart et al.
5,313,934 A	5/1994	Wiita et al.	5,590,697 A	1/1997	Benjey et al.
5,320,608 A	6/1994	Gerrone	5,591,192 A	1/1997	Privitera et al.
5,320,610 A	6/1994	Yoon	5,603,702 A	2/1997	Smith et al.
5,326,013 A	7/1994	Green et al.	5,605,175 A	2/1997	Bergsma et al.
5,330,437 A	7/1994	Durman	5,628,732 A	5/1997	Antoon, Jr. et al.
5,334,164 A	8/1994	Guy et al.	5,630,795 A	5/1997	Kuramoto et al.
5,337,730 A	8/1994	Maguire	5,630,813 A	5/1997	Kieturakis
5,339,800 A	8/1994	Wiita et al.	5,634,911 A	6/1997	Hermann et al.
			5,643,227 A	7/1997	Stevens
			5,643,301 A	7/1997	Mollenauer
			5,647,372 A	7/1997	Tovey et al.
			5,647,840 A	7/1997	D'Amelio et al.
			5,651,757 A	7/1997	Meckstroth
			5,658,273 A	8/1997	Long
			5,662,614 A	9/1997	Edoga
			5,685,823 A	11/1997	Ito et al.
			5,688,222 A	11/1997	Hluchy et al.
			5,709,664 A	1/1998	Vandenbroek et al.
			5,720,756 A	2/1998	Green et al.
			5,720,759 A	2/1998	Green et al.
			5,725,477 A	3/1998	Yasui et al.
			5,725,478 A	3/1998	Saad
			5,743,884 A	4/1998	Hasson et al.
			5,752,938 A	5/1998	Flatland et al.
			5,755,252 A	5/1998	Bergsma et al.
			5,755,732 A	5/1998	Green et al.
			5,776,112 A	7/1998	Stephens et al.

(56)

References Cited

U.S. PATENT DOCUMENTS

5,782,751 A	7/1998	Matsuno	6,601,617 B2	8/2003	Enge
5,782,859 A	7/1998	Nicholas et al.	6,605,098 B2	8/2003	Nobis et al.
5,788,676 A	8/1998	Yoon	6,638,214 B2	10/2003	Akiba
5,792,044 A	8/1998	Foley et al.	6,648,906 B2	11/2003	Lasheras et al.
5,792,113 A	8/1998	Kramer et al.	6,668,418 B2	12/2003	Bastien
5,797,434 A	8/1998	Benjey et al.	6,679,833 B2	1/2004	Smith et al.
5,807,338 A	9/1998	Smith et al.	6,679,834 B2	1/2004	Stahl et al.
5,814,026 A	9/1998	Yoon	6,679,837 B2	1/2004	Daikuzono
D399,316 S	10/1998	Molina	6,685,665 B2	2/2004	Booth et al.
5,817,061 A	10/1998	Goodwin et al.	6,699,185 B2	3/2004	Gminder et al.
5,820,600 A	10/1998	Carlson et al.	6,702,787 B2	3/2004	Racenet et al.
5,842,971 A	12/1998	Yoon	6,712,757 B2	3/2004	Becker et al.
5,848,992 A	12/1998	Hart et al.	6,726,663 B1	4/2004	Dennis
5,860,458 A	1/1999	Benjey et al.	6,755,782 B2	6/2004	Ogawa
5,871,440 A	2/1999	Okada	6,860,869 B2	3/2005	Dennis
5,882,345 A	3/1999	Yoon	6,860,892 B1	3/2005	Tanaka et al.
5,895,377 A	4/1999	Smith et al.	6,873,409 B1	3/2005	Slater
5,902,231 A	5/1999	Foley et al.	6,884,253 B1 *	4/2005	McFarlane 606/185
5,902,264 A	5/1999	Toso et al.	6,916,286 B2	7/2005	Kazakevich
5,906,595 A	5/1999	Powell et al.	6,918,924 B2	7/2005	Lasheras et al.
5,906,598 A	5/1999	Giesler et al.	6,923,759 B2	8/2005	Kasahara et al.
5,944,654 A	8/1999	Crawford	6,942,671 B1	9/2005	Smith
5,954,635 A	9/1999	Foley et al.	6,976,957 B1	12/2005	Chin et al.
5,957,888 A	9/1999	Hinchliffe	6,981,966 B2	1/2006	Green et al.
5,961,505 A	10/1999	Coe et al.	6,989,003 B2	1/2006	Wing et al.
5,964,781 A	10/1999	Mollenauer et al.	7,008,416 B2	3/2006	Sakaguchi et al.
5,983,958 A	11/1999	Bergsma et al.	7,025,747 B2	4/2006	Smith
5,989,183 A	11/1999	Reisdorf et al.	7,052,454 B2	5/2006	Taylor
5,989,224 A	11/1999	Exline et al.	7,056,303 B2	6/2006	Dennis et al.
5,993,380 A	11/1999	Yabe et al.	7,056,321 B2	6/2006	Pagliuca et al.
6,004,326 A	12/1999	Castro et al.	7,060,025 B2	6/2006	Long et al.
6,007,487 A	12/1999	Foley et al.	7,077,803 B2	7/2006	Kasahara et al.
6,017,333 A	1/2000	Bailey	7,083,626 B2	8/2006	Hart et al.
6,017,356 A *	1/2000	Frederick et al. 606/185	7,104,657 B2	9/2006	Sherwin
D425,619 S	5/2000	Bierman	7,105,009 B2	9/2006	Johnson et al.
6,062,276 A	5/2000	Benjey et al.	7,112,185 B2	9/2006	Hart et al.
6,063,050 A	5/2000	Manna et al.	7,163,525 B2	1/2007	Franer
6,110,103 A	8/2000	Donofrio	7,169,130 B2	1/2007	Exline et al.
6,126,592 A	10/2000	Proch et al.	D541,417 S *	4/2007	Albrecht et al. D24/146
6,152,871 A	11/2000	Foley et al.	7,198,598 B2	4/2007	Smith et al.
6,159,182 A	12/2000	Davis et al.	7,207,347 B2	4/2007	Olshanetsky et al.
6,162,170 A	12/2000	Foley et al.	D542,918 S *	5/2007	Albrecht et al. D24/146
6,167,920 B1	1/2001	Enge	7,244,244 B2	7/2007	Racenet et al.
6,176,823 B1	1/2001	Foley et al.	D555,788 S	11/2007	Southwell et al.
6,176,825 B1	1/2001	Chin et al.	7,309,469 B2	12/2007	Anderson et al.
6,206,057 B1	3/2001	Benjey et al.	D559,080 S	1/2008	Boote
6,206,822 B1	3/2001	Foley et al.	7,344,519 B2	3/2008	Wing et al.
6,209,306 B1	4/2001	Chia et al.	D567,372 S	4/2008	Chesnin
6,216,661 B1	4/2001	Pickens et al.	7,371,227 B2	5/2008	Zeiner
6,217,509 B1	4/2001	Foley et al.	D573,255 S	7/2008	Stephens
6,253,802 B1	7/2001	Enge	7,444,801 B2	11/2008	Rosenwasser et al.
6,258,025 B1	7/2001	Swallert	7,473,243 B2	1/2009	Dennis et al.
6,258,065 B1	7/2001	Dennis et al.	D589,617 S	3/2009	Carter
6,264,604 B1	7/2001	Kieturakis et al.	7,507,210 B2	3/2009	Hibner et al.
6,287,313 B1	9/2001	Sasso	7,591,802 B2	9/2009	Johnson et al.
6,354,992 B1	3/2002	Kato	7,637,896 B2 *	12/2009	Voegele et al. 604/264
6,371,909 B1	4/2002	Hoeg et al.	7,717,412 B2	5/2010	Anzai
6,409,657 B1	6/2002	Kawano	7,785,294 B2	8/2010	Hueil et al.
6,423,266 B1	7/2002	Choperena et al.	7,981,092 B2	7/2011	Duke
6,425,535 B1	7/2002	Akiba	8,075,528 B2	12/2011	Widenhouse et al.
6,425,859 B1	7/2002	Foley et al.	D652,509 S	1/2012	Kyvik et al.
6,443,190 B1	9/2002	Enge	8,147,481 B2	4/2012	Whittaker et al.
6,447,446 B1	9/2002	Smith et al.	8,206,357 B2	6/2012	Bettuchi
6,482,181 B1	11/2002	Racenet et al.	8,206,376 B2	6/2012	Barron et al.
6,494,893 B2	12/2002	Dubrul et al.	8,273,060 B2	9/2012	Moreno, Jr. et al.
6,497,687 B1	12/2002	Blanco	8,328,768 B2	12/2012	Quigley et al.
6,516,835 B2	2/2003	Enge	8,348,968 B2 *	1/2013	Smith 606/185
6,517,246 B2	2/2003	Blakley	8,551,058 B2	10/2013	Measamer et al.
6,520,907 B1	2/2003	Foley et al.	8,568,362 B2	10/2013	Moreno, Jr. et al.
6,534,002 B1	3/2003	Lin et al.	8,579,807 B2	11/2013	Moreno, Jr. et al.
6,551,282 B1	4/2003	Exline et al.	8,636,686 B2	1/2014	Minnelli et al.
6,562,046 B2	5/2003	Sasso	D713,033 S *	9/2014	Sauer et al. D24/146
6,569,120 B1	5/2003	Green et al.	2002/0022762 A1	2/2002	Beane et al.
6,595,915 B2	7/2003	Akiba	2002/0035828 A1	3/2002	Chia et al.
6,595,946 B1	7/2003	Pasqualucci	2002/0065450 A1	5/2002	Ogawa
			2002/0068923 A1	6/2002	Caldwell et al.
			2002/0103420 A1	8/2002	Coleman et al.
			2002/0107484 A1	8/2002	Dennis et al.
			2002/0161387 A1	10/2002	Blanco

(56)

References Cited

U.S. PATENT DOCUMENTS

2003/0004529	A1	1/2003	Tsonton et al.
2003/0060770	A1	3/2003	Wing et al.
2003/0130674	A1	7/2003	Kasahara et al.
2003/0135942	A1	7/2003	Bastien
2003/0139756	A1	7/2003	Brustad
2003/0195472	A1	10/2003	Green et al.
2003/0208104	A1	11/2003	Carrillo et al.
2004/0034339	A1	2/2004	Stoller et al.
2004/0106942	A1	6/2004	Taylor et al.
2004/0167559	A1	8/2004	Taylor et al.
2004/0171990	A1	9/2004	Dennis et al.
2004/0220452	A1	11/2004	Shalman
2004/0230161	A1	11/2004	Zeiner
2004/0256004	A1	12/2004	Kessell et al.
2004/0260244	A1	12/2004	Piechowicz et al.
2005/0033342	A1	2/2005	Hart et al.
2005/0043683	A1	2/2005	Ravo
2005/0059865	A1	3/2005	Kahle et al.
2005/0059934	A1	3/2005	Wenchell et al.
2005/0070850	A1	3/2005	Albrecht
2005/0070946	A1	3/2005	Franer et al.
2005/0070947	A1	3/2005	Franer et al.
2005/0077688	A1	4/2005	Voegele et al.
2005/0077689	A1	4/2005	Hueil
2005/0096605	A1	5/2005	Green et al.
2005/0131349	A1	6/2005	Albrecht et al.
2005/0165277	A1	7/2005	Carrillo et al.
2005/0203543	A1	9/2005	Hilal et al.
2005/0216028	A1	9/2005	Hart et al.
2005/0222582	A1	10/2005	Wenchell
2005/0241647	A1	11/2005	Nguyen et al.
2005/0267419	A1	12/2005	Smith
2005/0288622	A1	12/2005	Albrecht et al.
2006/0020165	A1	1/2006	Adams
2006/0047240	A1	3/2006	Kumar et al.
2006/0052666	A1	3/2006	Kumar et al.
2006/0068360	A1	3/2006	Boulais
2006/0069306	A1	3/2006	Banik et al.
2006/0069312	A1	3/2006	O'Connor
2006/0100485	A1	5/2006	Arai et al.
2006/0122556	A1	6/2006	Kumar et al.
2006/0122557	A1	6/2006	Kumar et al.
2006/0129098	A1	6/2006	Hart et al.
2006/0135972	A1	6/2006	Zeiner
2006/0135977	A1	6/2006	Thompson et al.
2006/0135978	A1	6/2006	Franer
2006/0149137	A1	7/2006	Pingleton et al.
2006/0199998	A1	9/2006	Akui et al.
2006/0211916	A1	9/2006	Kasahara et al.
2006/0224121	A1	10/2006	Hart et al.
2006/0224164	A1	10/2006	Hart et al.
2006/0229565	A1	10/2006	Dennis et al.
2006/0235455	A1	10/2006	Oshida
2006/0264991	A1	11/2006	Johnson et al.
2006/0276688	A1	12/2006	Surti
2006/0293559	A1	12/2006	Grice et al.
2007/0005087	A1	1/2007	Smith et al.
2007/0021713	A1	1/2007	Kumar et al.
2007/0027453	A1	2/2007	Hart et al.
2007/0088275	A1	4/2007	Stearns et al.
2007/0088277	A1	4/2007	McGinley et al.
2007/0129719	A1	6/2007	Kendale et al.
2007/0142709	A1	6/2007	Martone et al.
2007/0149931	A1	6/2007	Cannon et al.
2007/0149993	A1	6/2007	Kasahara et al.
2007/0183867	A1	8/2007	Hesselmann et al.
2007/0185453	A1	8/2007	Michael et al.
2007/0191759	A1	8/2007	Stoller et al.
2007/0204890	A1	9/2007	Torii
2007/0225556	A1	9/2007	Ortiz et al.
2007/0225566	A1	9/2007	Kawanishi
2007/0244361	A1	10/2007	Ikeda et al.
2008/0009797	A1	1/2008	Stellon et al.
2008/0009832	A1	1/2008	Barron et al.
2008/0091143	A1	4/2008	Taylor et al.
2008/0249475	A1	10/2008	Albrecht et al.
2008/0269696	A1	10/2008	Exline et al.
2008/0275428	A1	11/2008	Tegg et al.
2008/0294113	A1	11/2008	Brockmeier et al.
2009/0005799	A1	1/2009	Franer et al.
2009/0030375	A1	1/2009	Franer et al.
2009/0093682	A1	4/2009	Izzo et al.
2009/0137943	A1	5/2009	Stearns et al.
2009/0192444	A1	7/2009	Albrecht et al.
2009/0221960	A1	9/2009	Albrecht et al.
2009/0234293	A1	9/2009	Albrecht et al.
2009/0240204	A1	9/2009	Taylor et al.
2009/0264703	A1	10/2009	Pribanic
2009/0270681	A1	10/2009	Moreno et al.
2009/0270685	A1	10/2009	Moreno et al.
2009/0270813	A1	10/2009	Moreno, Jr. et al.
2009/0270817	A1	10/2009	Moreno et al.
2009/0281478	A1	11/2009	Duke
2009/0314422	A1	12/2009	Racenet et al.
2010/0022958	A1	1/2010	Moreno, Jr. et al.
2010/0185139	A1	7/2010	Stearns et al.
2010/0211049	A1	8/2010	Schertiger et al.
2010/0331822	A1	12/2010	Willemstyn
2011/0046449	A1	2/2011	Minnelli et al.
2011/0152775	A1	6/2011	Lopez et al.
2012/0140494	A1	6/2012	Gu et al.
2012/0330099	A1	12/2012	Moreno et al.

FOREIGN PATENT DOCUMENTS

DE	19619065	A1	11/1997
DE	10330518	A1	2/2005
EP	0517248	A1	12/1992
EP	0567142	A2	10/1993
EP	0568383	A1	11/1993
EP	0570802	A1	11/1993
EP	0664101	A1	7/1995
EP	0696459	A1	2/1996
EP	0731718	A1	9/1996
EP	0845960	A1	6/1998
EP	0875256	A1	11/1998
EP	0890342	A1	1/1999
EP	0898 71	A2	3/1999
EP	0972493	A2	1/2000
EP	1210904	A2	6/2002
EP	1284664	A1	2/2003
EP	1312318	A1	5/2003
EP	1323373	A2	7/2003
EP	1348386	A1	10/2003
EP	1459688	A1	9/2004
EP	1629787	A2	3/2006
EP	1679043	A1	7/2006
EP	1698291	A1	9/2006
EP	1707133	A1	10/2006
EP	1707135	A1	10/2006
EP	1709918	A1	10/2006
EP	1834571	A1	9/2007
EP	1834573	A1	9/2007
EP	1994895	A1	11/2008
GB	2298906	A	9/1996
JP	61-036718	A	2/1986
JP	03-106329	A	5/1991
JP	06-133927	A	5/1994
JP	06-169879	A	6/1994
JP	06-304121	A	11/1994
JP	07-178039		7/1995
JP	07-246187		9/1995
JP	07-289501	A	11/1995
JP	07-313442		12/1995
JP	08-154888		6/1996
JP	08-173372		7/1996
JP	08285001		11/1996
JP	10-043128		2/1998
JP	11-146882		6/1999
JP	2002-224014	A	8/2002
JP	2002-238906	A	8/2002
JP	2002282274	A	10/2002
JP	2003-284686	A	10/2003
JP	2004-016455	A	1/2004

(56)

References Cited

FOREIGN PATENT DOCUMENTS

JP	2004-267583	A	9/2004
JP	2005-253543	A	9/2005
JP	2005319101	A	11/2005
JP	2007117289	A	5/2007
JP	04-020324	B2	12/2007
JP	04-158825	B2	10/2008
JP	04-170929	B2	10/2008
JP	3151790	U	6/2009
JP	04-329510	B2	9/2009
JP	2009261923	A	11/2009
JP	05-192294	B2	5/2013
JP	05-199979	B2	5/2013
JP	05-207962	B2	6/2013
RU	2014032	C1	6/1994
WO	WO-9407552	A1	4/1994
WO	WO-9532019	A1	11/1995
WO	WO-9604946	A1	2/1996
WO	WO-9740759	A1	11/1997
WO	WO-9809673	A1	3/1998
WO	WO-0189371	A1	11/2001
WO	WO-02078527	A2	10/2002
WO	WO-02096307	A2	12/2002
WO	WO-03011154	A2	2/2003
WO	WO-2004043275	A1	5/2004
WO	WO-2005016133	A1	2/2005

WO	WO-2005030293	A2	4/2005
WO	WO-2005097019	A2	10/2005
WO	WO-2005097234	A2	10/2005
WO	WO-2008093313	A1	8/2008
WO	WO-2009005986	A1	1/2009

OTHER PUBLICATIONS

Extended European Search Report issued in European Application No. 12173277.0 dated Jul. 18, 2012.

Extended European Search Report issued in European Application No. 12173283.8 dated Jul. 18, 2012.

Extended European Search Report issued in European Application No. 12173290.3 dated Jul. 18, 2012.

International Search Report and Written Opinion issued in International Application No. PCT/US2010/042765 dated Oct. 13, 2010.

International Search Report and Written Opinion issued in International Application No. PCT/uS2010/055905 dated Jan. 11, 2012.

Search Report issued in European Application No. 09251196.3 dated Aug. 11, 2009.

Search report issued in European Application No. 09251201.1 dated Aug. 13, 2009.

Search report issued in European Application No. 09251208.6 dated Aug. 11, 2009.

Search Report issued in European Application No. 09251210.2 dated Aug. 12, 2009.

* cited by examiner

FIG. 1

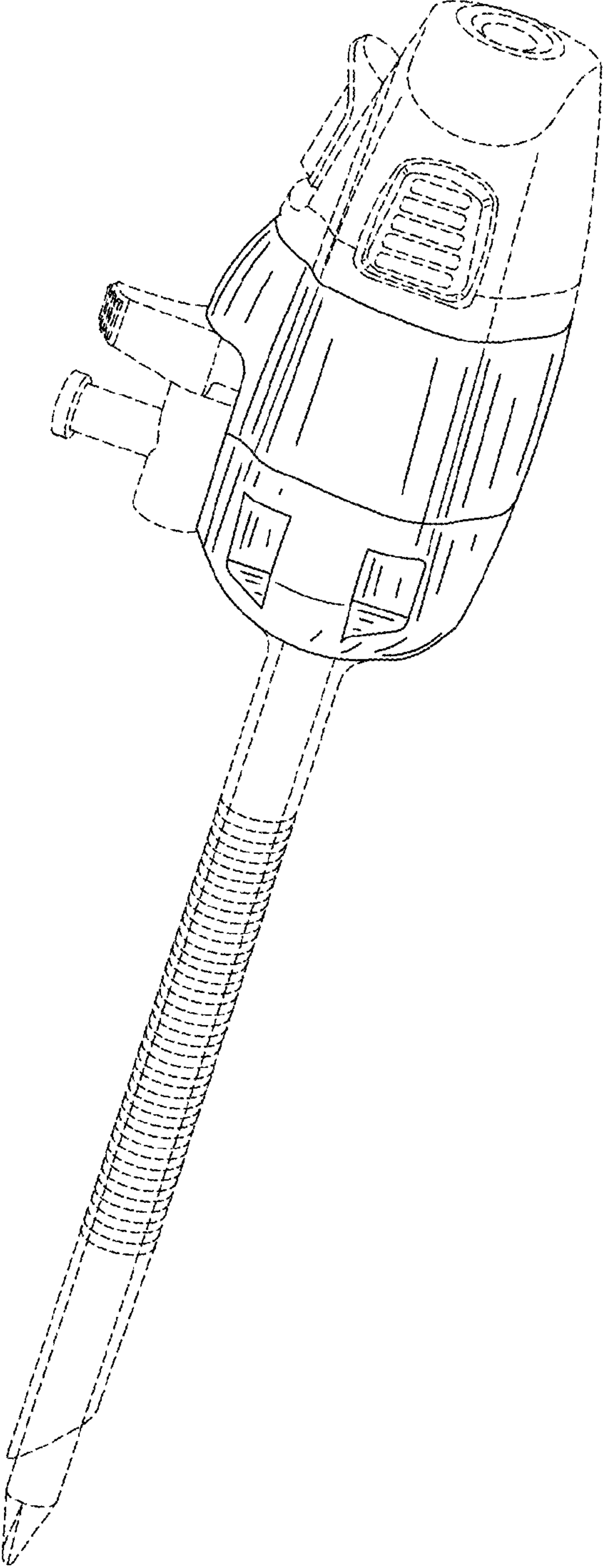


FIG. 2

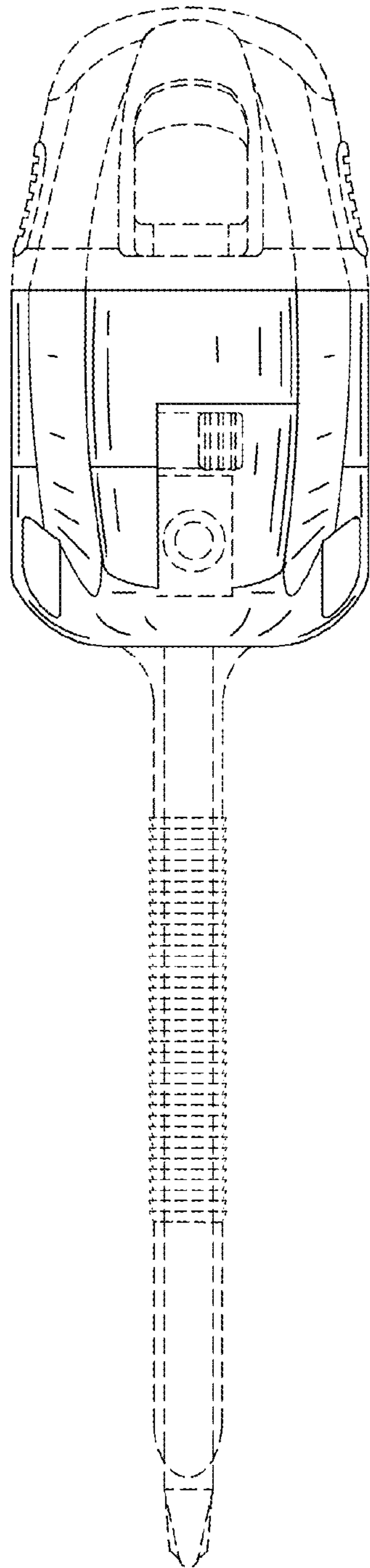


FIG. 3

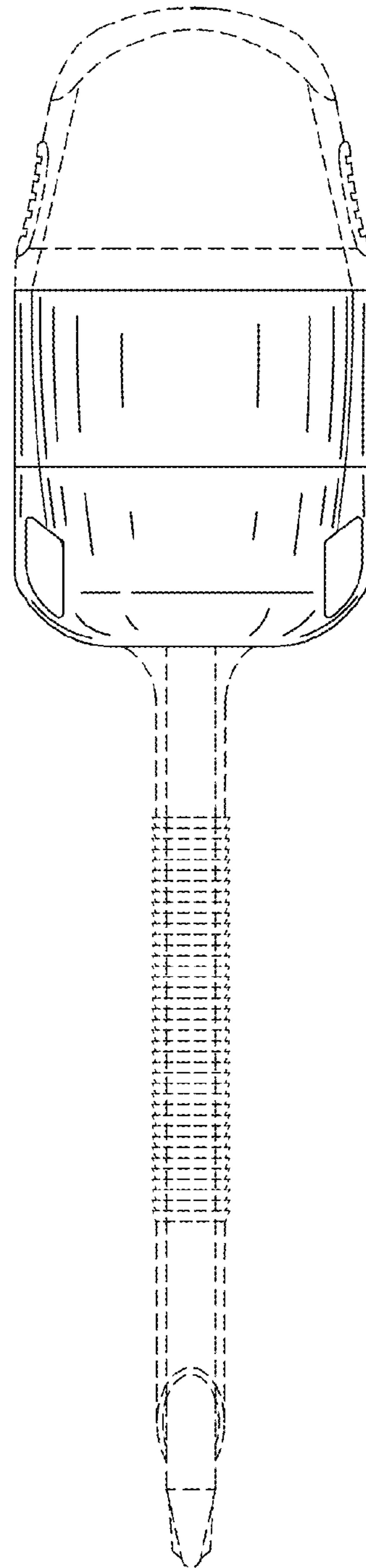


FIG. 4

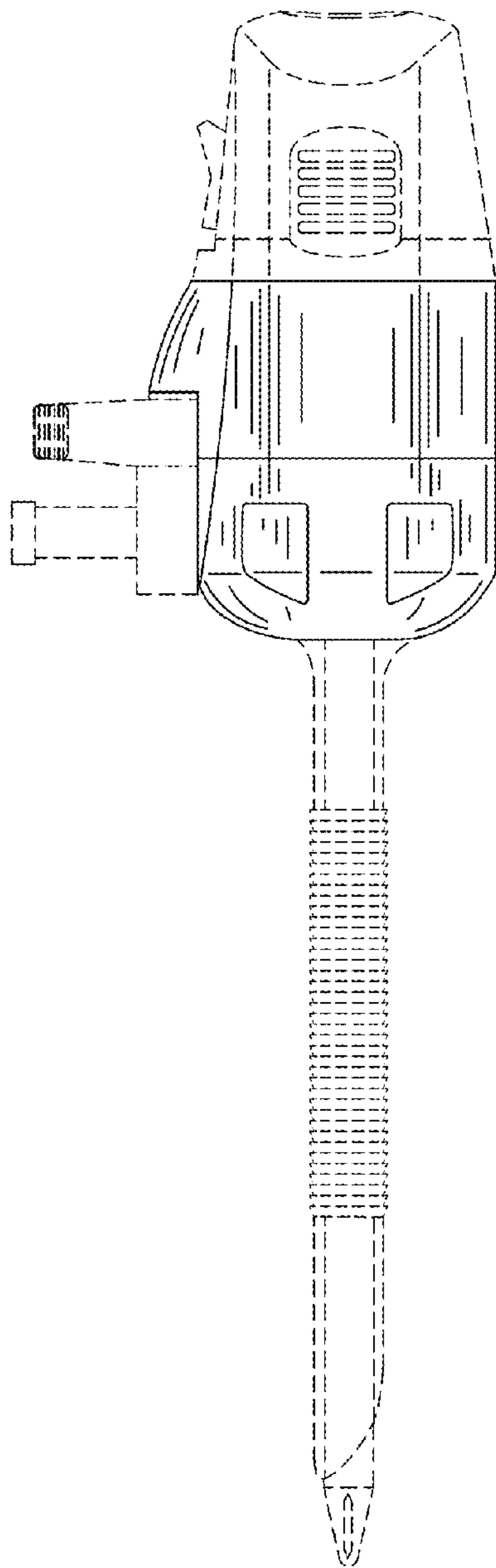


FIG. 5

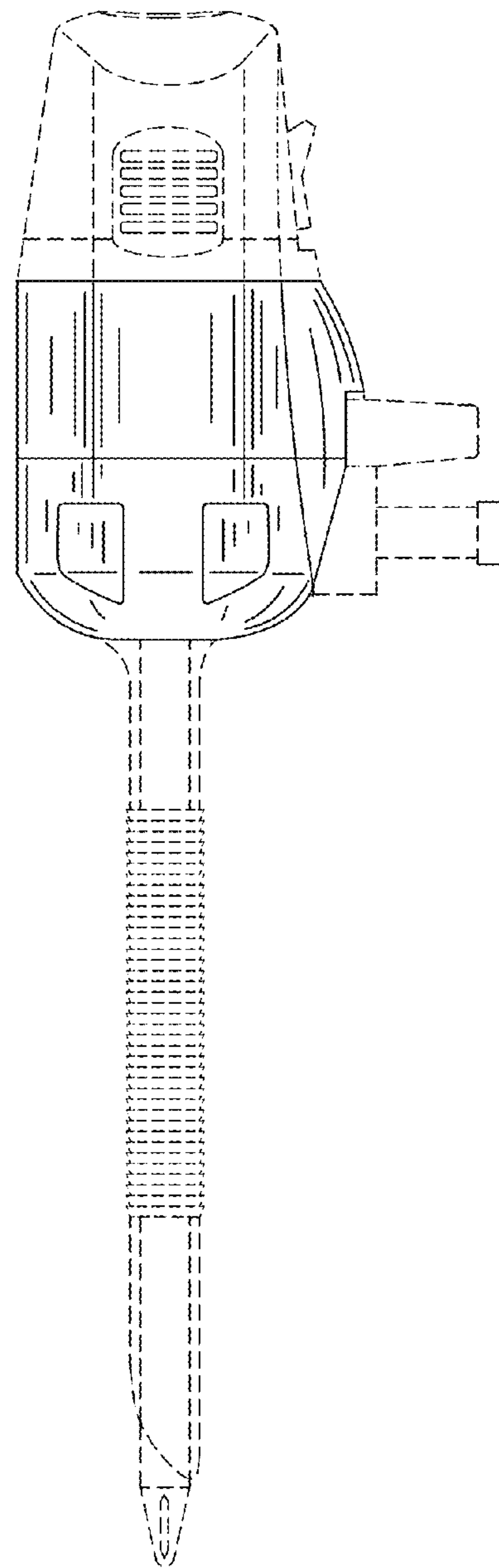


FIG. 6

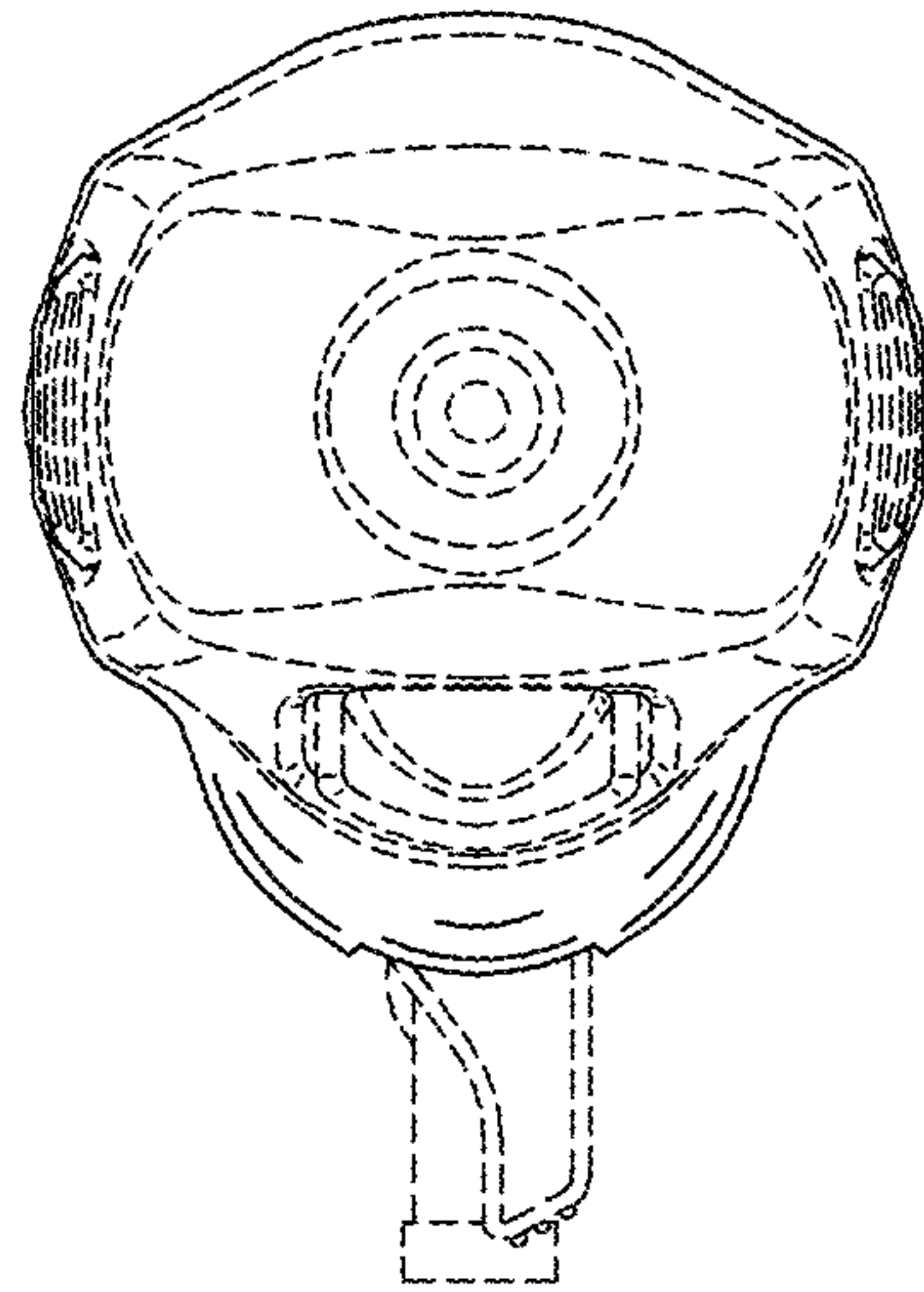


FIG. 7

