



US00D736924S

(12) **United States Design Patent**
Oberlaender et al.

(10) **Patent No.:** **US D736,924 S**

(45) **Date of Patent:** **** Aug. 18, 2015**

(54) **TROCAR**

(71) Applicant: **KARL STORZ GmbH & Co. KG**,
Tuttlingen (DE)

(72) Inventors: **Martin Oberlaender**, Engen (DE); **Felix Teufel**, Tuttlingen (DE); **Isolde Mesle**,
Durchhausen (DE); **Roland Edmond Stark**,
Uhdlingen-Muehlhofen (DE); **Joachim Oertel**,
Hannover (DE)

(73) Assignee: **KARL STORZ GmbH & Co. KG**,
Tuttlingen (DE)

(**) Term: **14 Years**

(21) Appl. No.: **29/497,322**

(22) Filed: **Jul. 23, 2014**

(30) **Foreign Application Priority Data**

Jan. 23, 2014 (EM) 002389544-0002

(51) **LOC (10) Cl.** **24-02**

(52) **U.S. Cl.**
USPC **D24/146**

(58) **Field of Classification Search**
USPC D7/649; D8/93, 97, 300, 310, 311, 313;
D19/110, 115; D24/127, 130, 133,
D24/146, 147, 148
CPC B26B 3/00; B26B 1/10; B26B 5/005;
A61B 17/809; A61B 17/1617; A61B 17/3211;
A61B 5/1411; A61B 17/3417
See application file for complete search history.

(56) **References Cited**

U.S. PATENT DOCUMENTS

D570,480 S * 6/2008 Rehbein et al. D24/133
D570,481 S * 6/2008 Rehbein et al. D24/133

D596,291 S * 7/2009 Berberich et al. D24/133
D605,765 S 12/2009 Gaab
D648,022 S * 11/2011 Becker D24/138
D657,464 S * 4/2012 Becker D24/138
D667,544 S * 9/2012 Bettocchi D24/137
D669,173 S * 10/2012 Becker et al. D24/138
D669,580 S * 10/2012 Eisenkolb et al. D24/137
D670,383 S * 11/2012 Eisenkolb et al. D24/137
D672,462 S * 12/2012 Campo D24/138
D676,553 S * 2/2013 Becker D24/146
D682,423 S * 5/2013 Becker D24/133
2009/0318763 A1 12/2009 Koerner et al.
2010/0137895 A1* 6/2010 Smith 606/185

FOREIGN PATENT DOCUMENTS

EP 0 891 156 B1 7/2004
EP 2 135 542 B1 9/2012

* cited by examiner

Primary Examiner — Robert M Spear

Assistant Examiner — Marissa J Cash

(74) *Attorney, Agent, or Firm* — Muncy, Geissler, Olds &
Lowe, P.C.

(57) **CLAIM**

The ornamental design for a trocar, as shown and described.

DESCRIPTION

FIG. 1 is a perspective view of a trocar according to the present invention.

FIG. 2 is a front view of the trocar of FIG. 1.

FIG. 3 is a rear view of the trocar of FIG. 1.

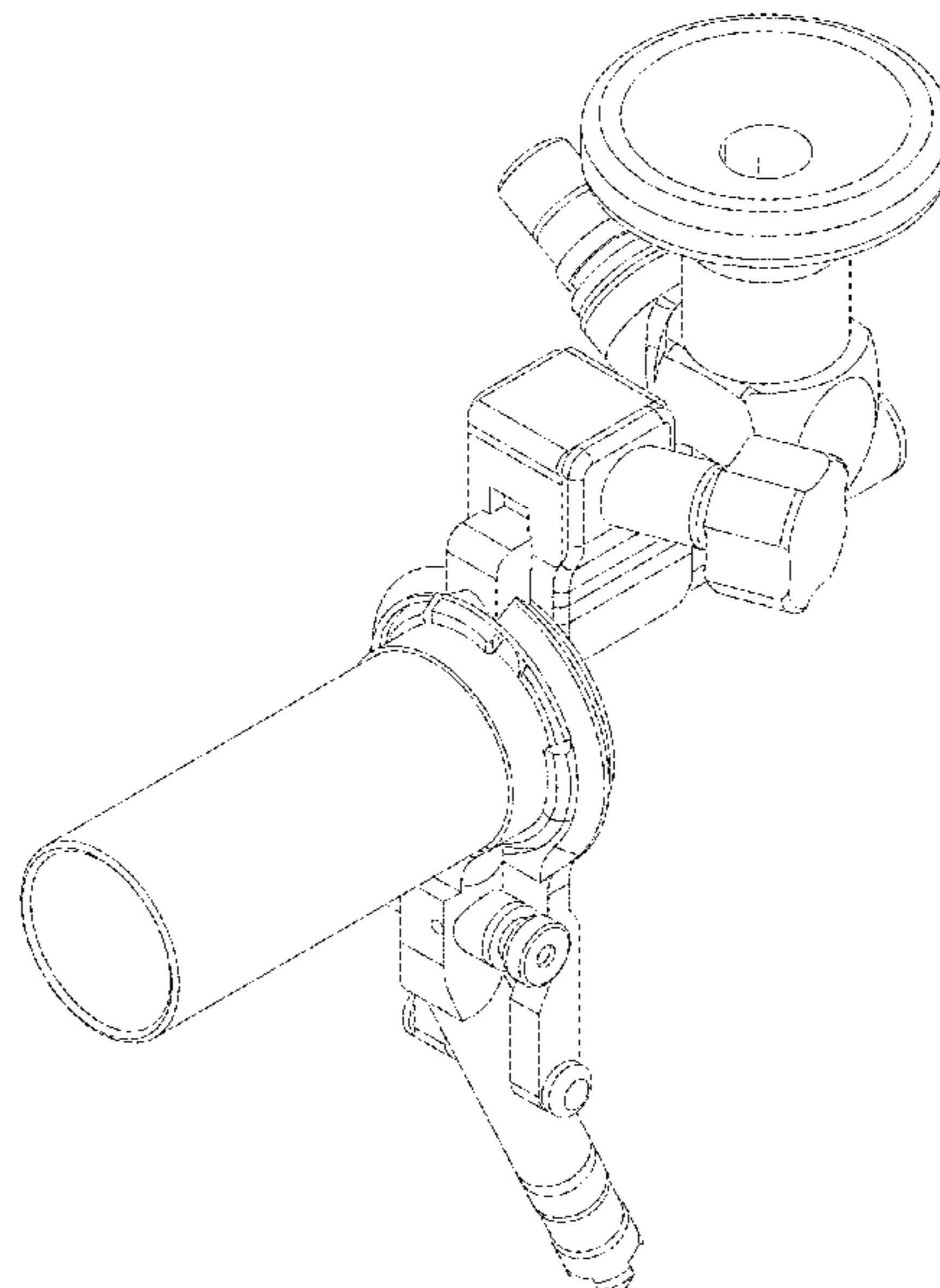
FIG. 4 is a right side view of the trocar of FIG. 1.

FIG. 5 is a left side of the trocar of FIG. 1.

FIG. 6 is a bottom view of the trocar of FIG. 1; and,

FIG. 7 is a top view of the trocar of FIG. 1.

1 Claim, 7 Drawing Sheets



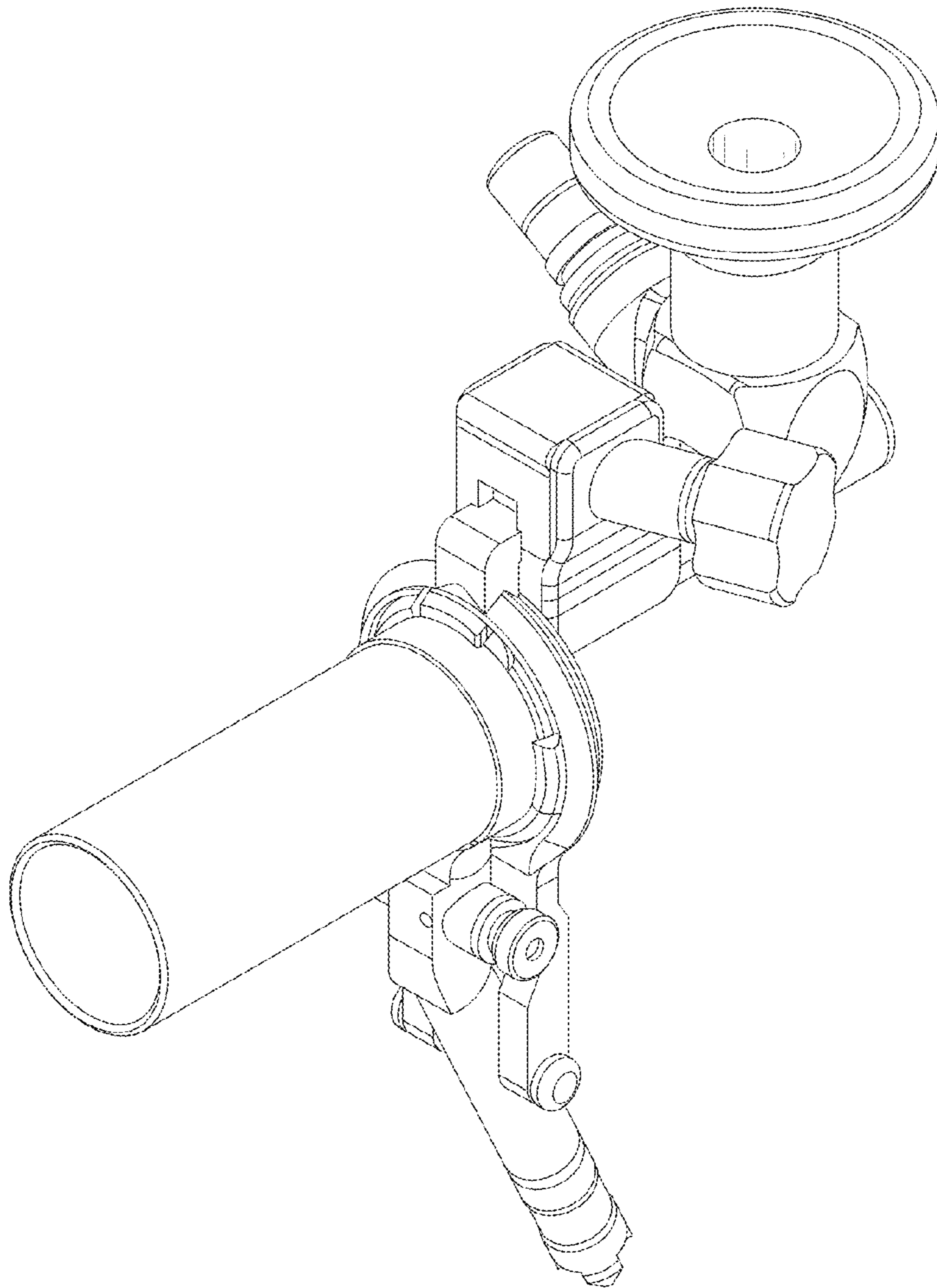


FIG.1

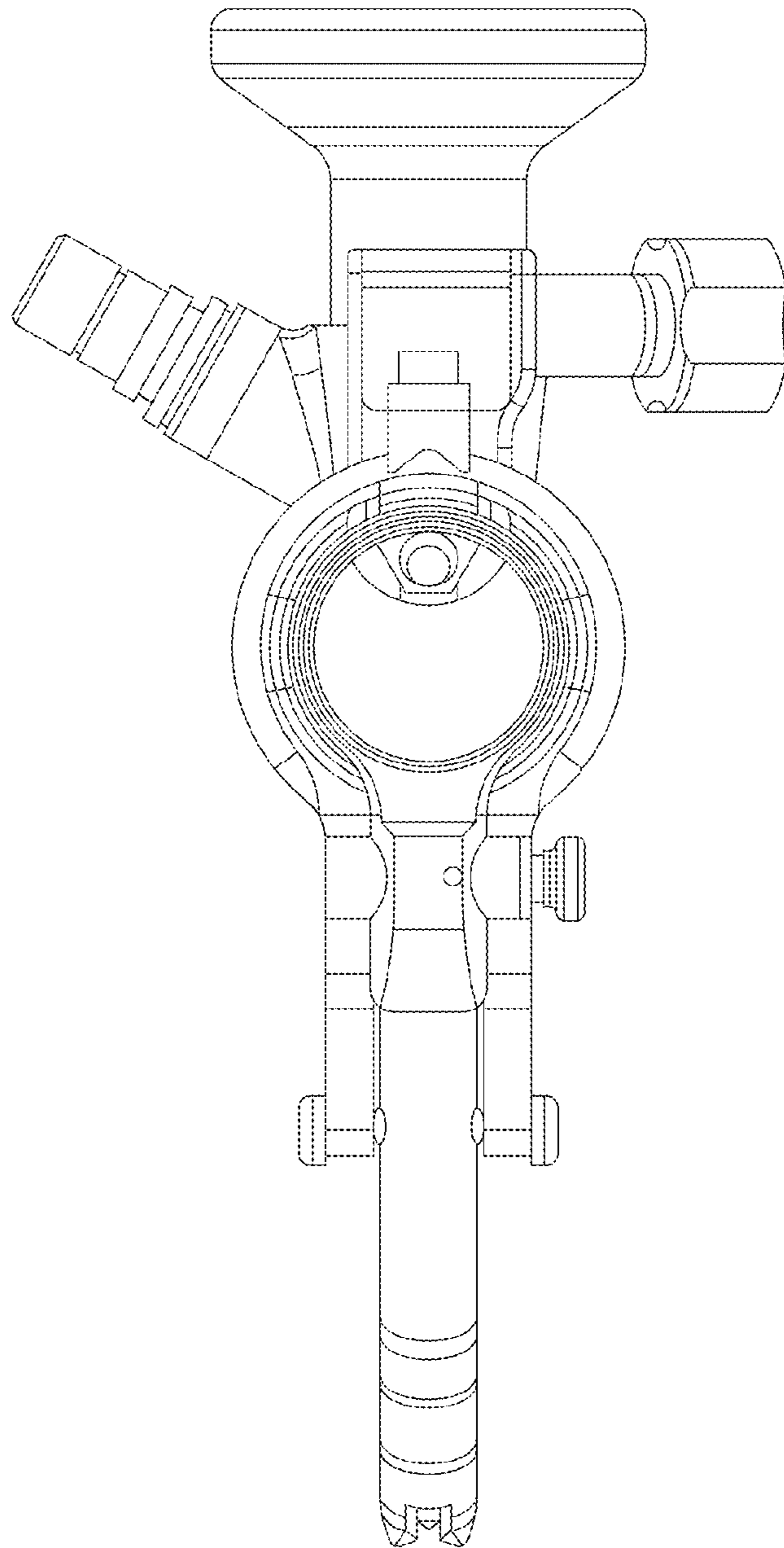


FIG.2

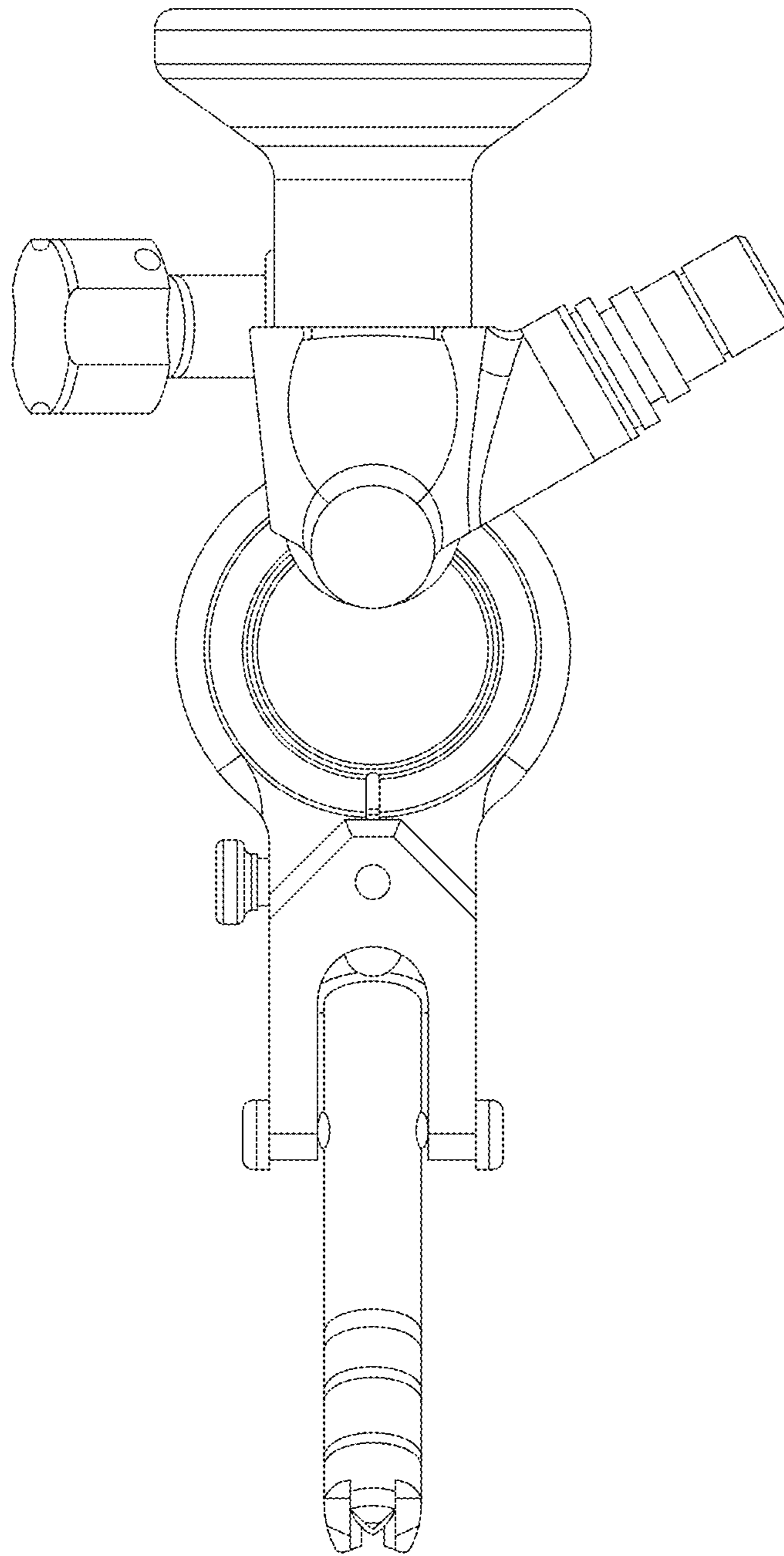


FIG.3

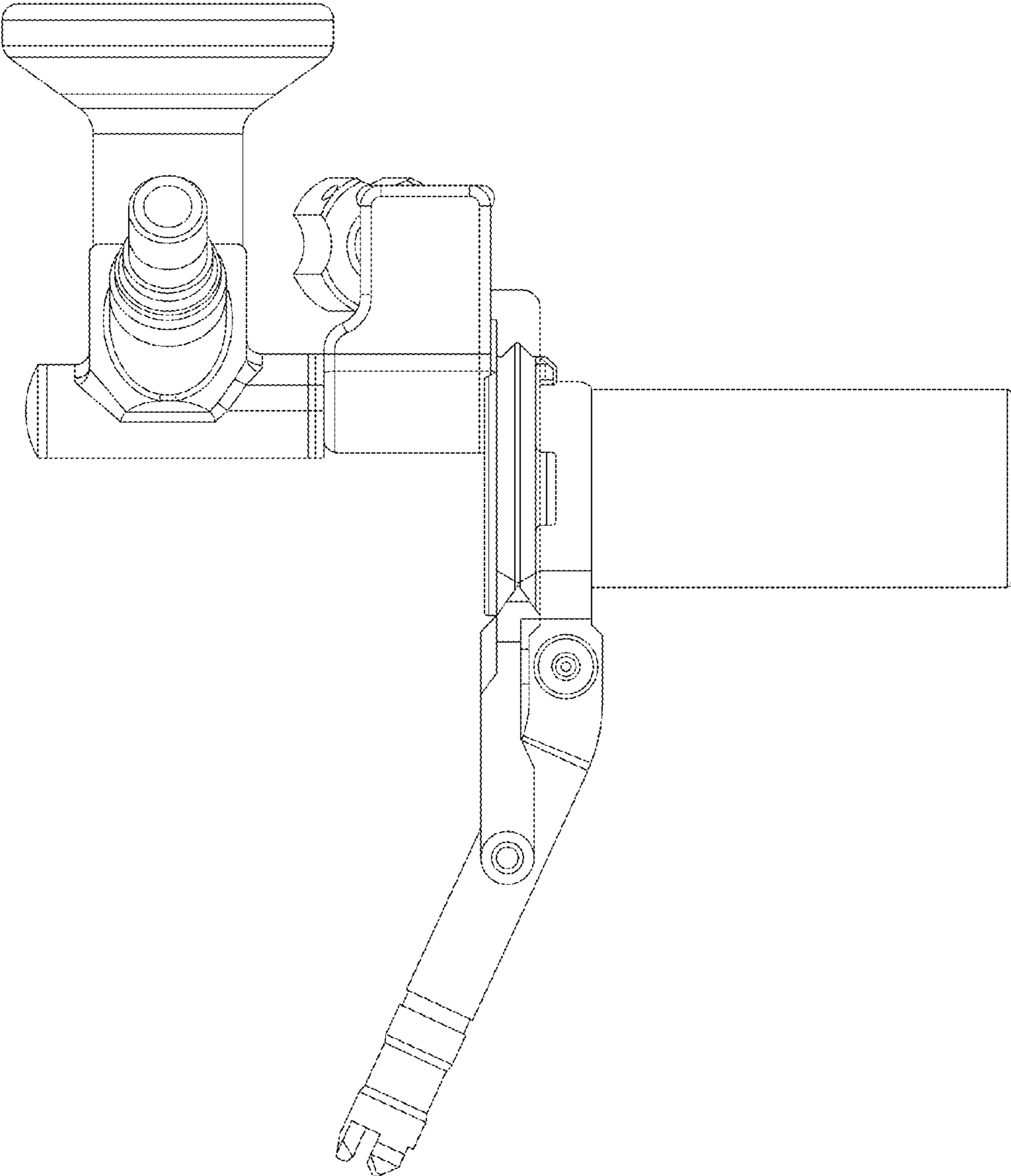


FIG.4

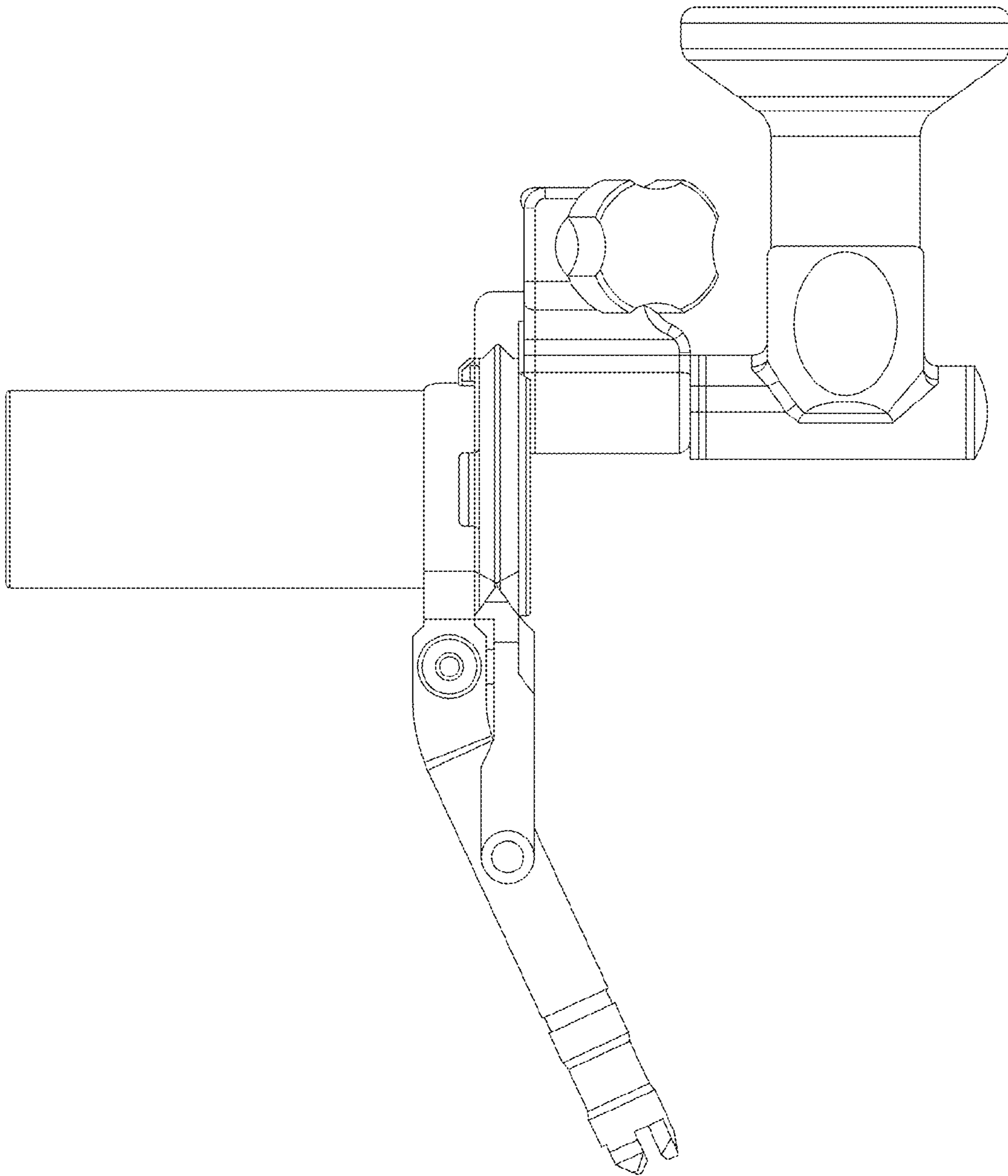


FIG. 5

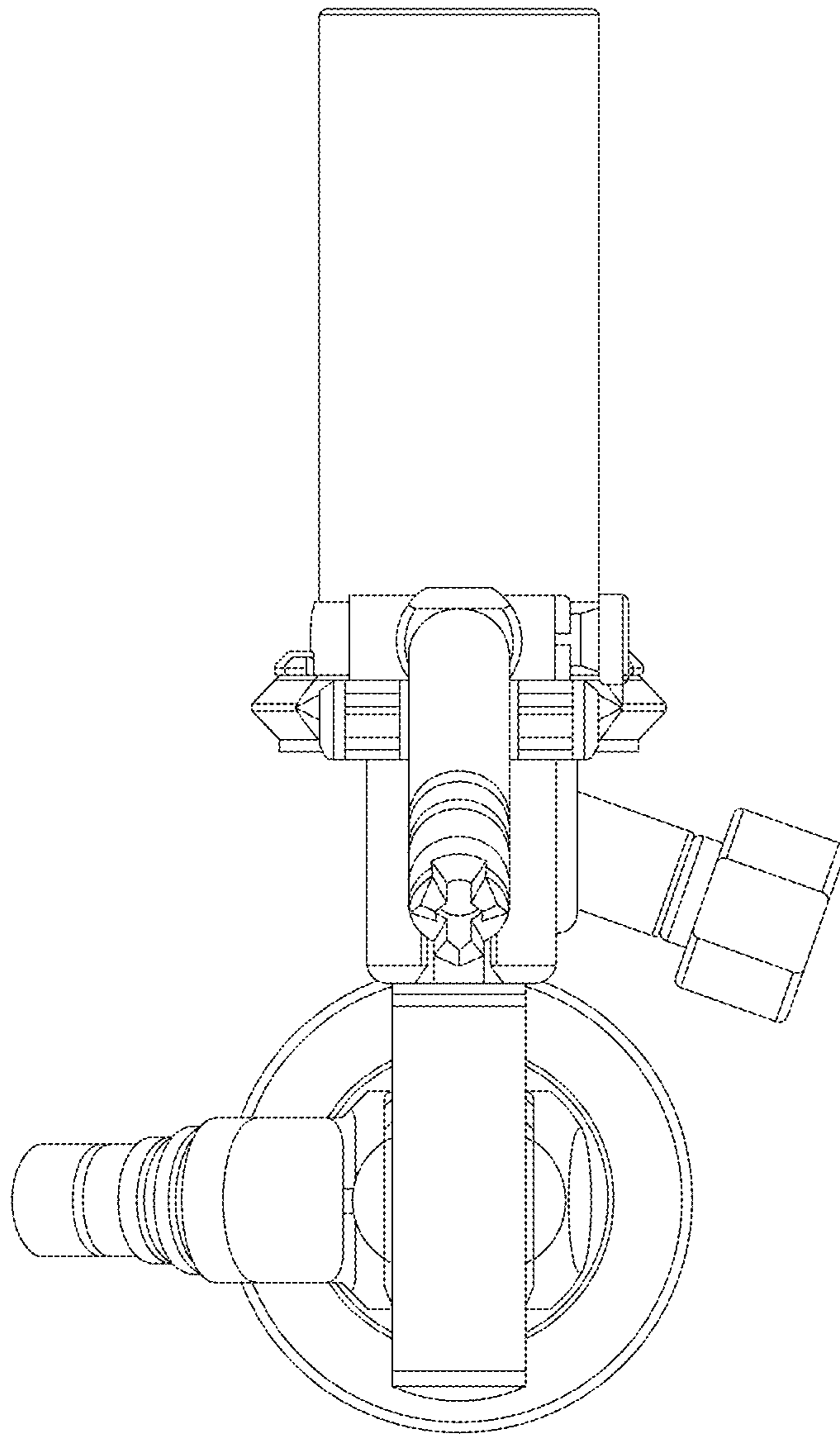


FIG.6

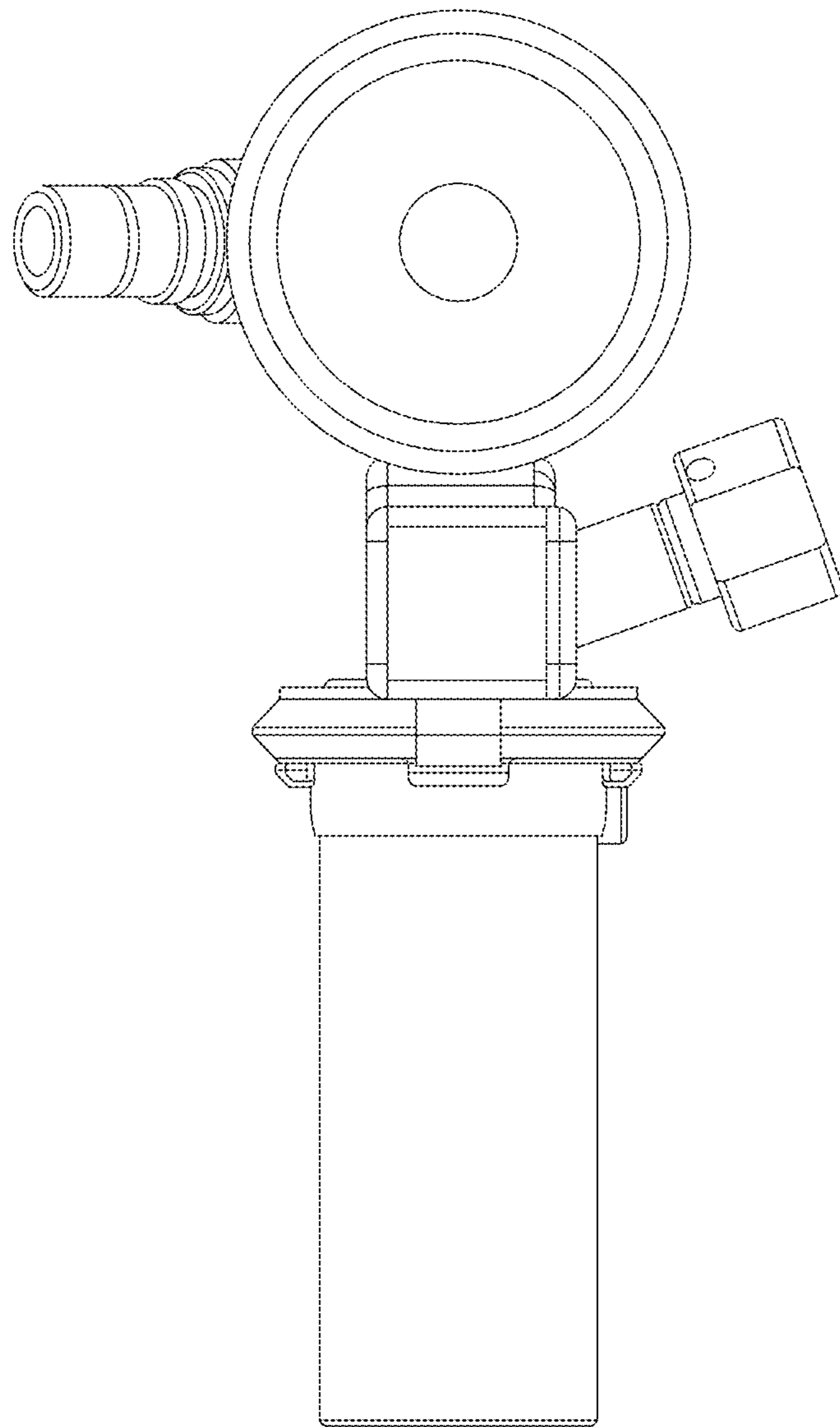


FIG.7