



US00D736923S

(12) **United States Design Patent**
Snow

(10) **Patent No.:** **US D736,923 S**
(45) **Date of Patent:** **** Aug. 18, 2015**

(54) **IMPACT BIOPSY DEVICE**

FOREIGN PATENT DOCUMENTS

(71) Applicant: **Merit Medical Systems, Inc.**, South Jordan, UT (US)

AT 366546 6/1976
WO WO96/22733 8/1996

(Continued)

(72) Inventor: **Jeremy W. Snow**, South Jordan, UT (US)

OTHER PUBLICATIONS

(73) Assignee: **Merit Medical Systems, Inc.**, South Jordan, UT (US)

Shuttle® and CT-Core® Semi-Automatic devices; Updated to the website between Nov. 8, 2012-Jan. 24, 2013. Accessed website on Jun. 27, 2014 at http://www.vigeohealthcare.com/gb/int_radiology.html.

(Continued)

(**) Term: **14 Years**

(21) Appl. No.: **29/495,581**

(22) Filed: **Jul. 2, 2014**

Primary Examiner — Robert M Spear
Assistant Examiner — Marissa J Cash

(74) *Attorney, Agent, or Firm* — Stoel Rives LLP

Related U.S. Application Data

(63) Continuation-in-part of application No. 14/157,935, filed on Jan. 17, 2014.

(51) **LOC (10) Cl.** **24-02**

(52) **U.S. Cl.**
USPC **D24/146**

(58) **Field of Classification Search**
USPC D7/649; D8/93, 97, 300, 310, 311, 313;
D19/110, 115; D24/127, 130, 133,
D24/146, 147, 148

CPC B26B 3/00; B26B 1/10; B26B 5/005;
A61B 17/809; A61B 17/1617; A61B 17/3211;
A61B 5/1411; A61B 17/3417

See application file for complete search history.

(57) **CLAIM**

The ornamental design for an impact biopsy device, as shown and described.

DESCRIPTION

FIG. 1 is a perspective view of an impact biopsy device. FIG. 2 is a second perspective view of the impact biopsy device of FIG. 1. FIG. 3 is a front view of the impact biopsy device of FIG. 1. FIG. 4 is a right side view of the impact biopsy device of FIG. 1. A left side view of the impact biopsy device of FIG. 1 would be a mirror image of the right side view shown in FIG. 5. FIG. 5 is rear view of the impact biopsy device of FIG. 1. FIG. 6 is an enlarged top view of the impact biopsy device of FIG. 1; and, FIG. 7 is an enlarged bottom view of the impact biopsy device of FIG. 1.

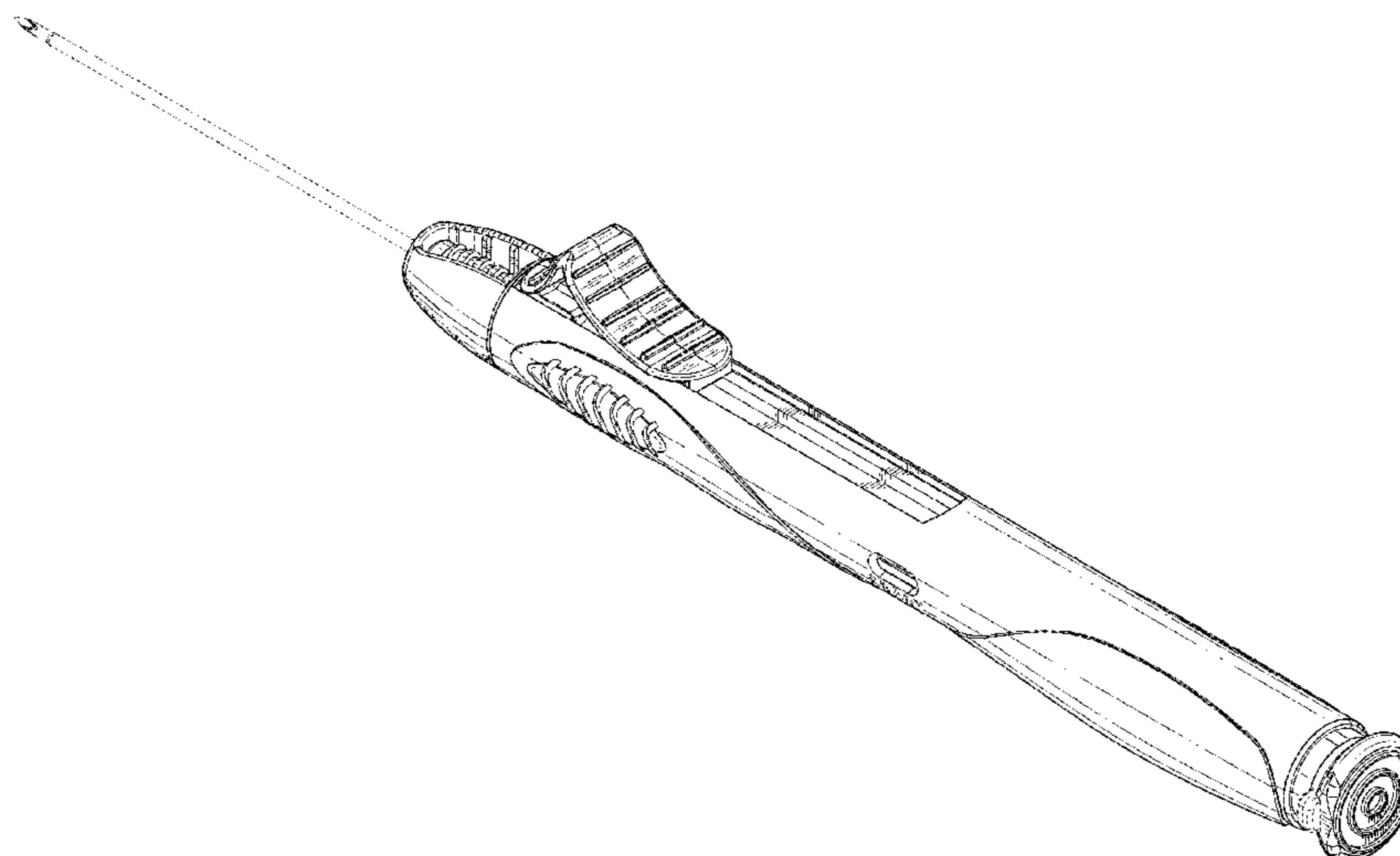
(56) **References Cited**

U.S. PATENT DOCUMENTS

5,172,702 A 12/1992 Leigh et al.
5,655,542 A 8/1997 Weilandt
5,788,651 A 8/1998 Weilandt
5,800,389 A 9/1998 Burney et al.
D418,223 S * 12/1999 Phipps et al. D24/133

(Continued)

1 Claim, 4 Drawing Sheets



(56)

References Cited

U.S. PATENT DOCUMENTS

D428,150 S * 7/2000 Ruf et al. D24/146
 6,126,617 A 10/2000 Weilandt et al.
 6,196,978 B1 3/2001 Weilandt et al.
 6,322,523 B2 11/2001 Weilandt et al.
 D457,955 S * 5/2002 Bilitz D24/133
 D463,555 S * 9/2002 Etter et al. D24/147
 D490,152 S * 5/2004 Myall et al. D24/133
 7,041,065 B2 5/2006 Weilandt et al.
 7,247,160 B2 * 7/2007 Seiler et al. 606/167
 D571,009 S * 6/2008 Smith et al. D24/146
 D586,916 S * 2/2009 Faulkner et al. D24/146
 D592,746 S * 5/2009 Highley et al. D24/133
 D598,543 S * 8/2009 Vogel et al. D24/133
 D612,044 S * 3/2010 Scheibe D24/130
 D612,051 S * 3/2010 Ruf D24/146
 D619,251 S * 7/2010 Justiniano-Garcia
 et al. D24/147
 D628,293 S * 11/2010 Ruf D24/146
 D634,426 S * 3/2011 Zollers D24/147
 2001/0009979 A1 7/2001 Weilandt et al.
 2004/0215103 A1 10/2004 Mueller, Jr. et al.
 2005/0054947 A1 3/2005 Goldenberg
 2005/0125017 A1 * 6/2005 Kudrna et al. 606/181
 2006/0085019 A1 * 4/2006 Cote et al. 606/167
 2007/0027407 A1 2/2007 Miller

2007/0078472 A1 * 4/2007 Singh 606/167
 2008/0281223 A1 11/2008 Goldenberg
 2008/0300507 A1 12/2008 Figueredo et al.
 2009/0143698 A1 6/2009 Janssens
 2009/0259200 A1 10/2009 Lampropoulos et al.
 2010/0130887 A1 5/2010 Selis
 2010/0168773 A1 * 7/2010 Funderburk et al. 606/167
 2011/0251631 A1 * 10/2011 Trees et al. 606/167
 2012/0220894 A1 8/2012 Melsheimer
 2014/0171826 A1 6/2014 Lampropoulos et al.
 2014/0207021 A1 7/2014 Snow
 2015/0045828 A1 * 2/2015 McArthur et al. 606/200
 2015/0094751 A1 * 4/2015 Chen et al. 606/185

FOREIGN PATENT DOCUMENTS

WO WO99/44505 9/1999
 WO WO2006/013389 2/2006

OTHER PUBLICATIONS

International Search Report and Written Opinion dated May 1, 2014
 for PCT/US2014/012043.
 International Search Report and Written Opinion dated Apr. 3, 2014
 for PCT/US2013/076418.
 U.S. Appl. No. 14/598,457, filed Jun. 16, 2015, Snow.
 U.S. Appl. No. 14/600,660, filed Jan. 20, 2015, Snow.

* cited by examiner

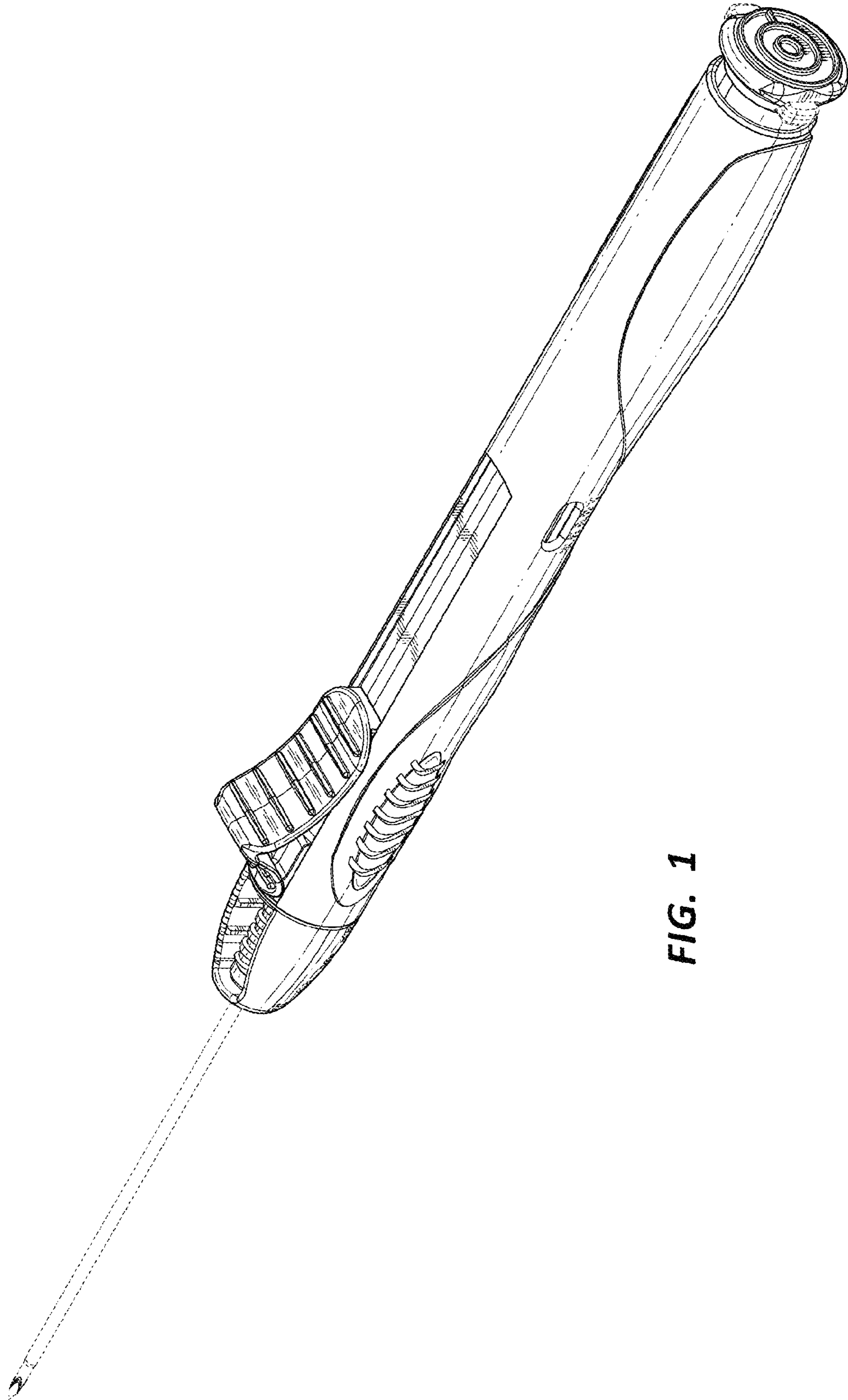


FIG. 1

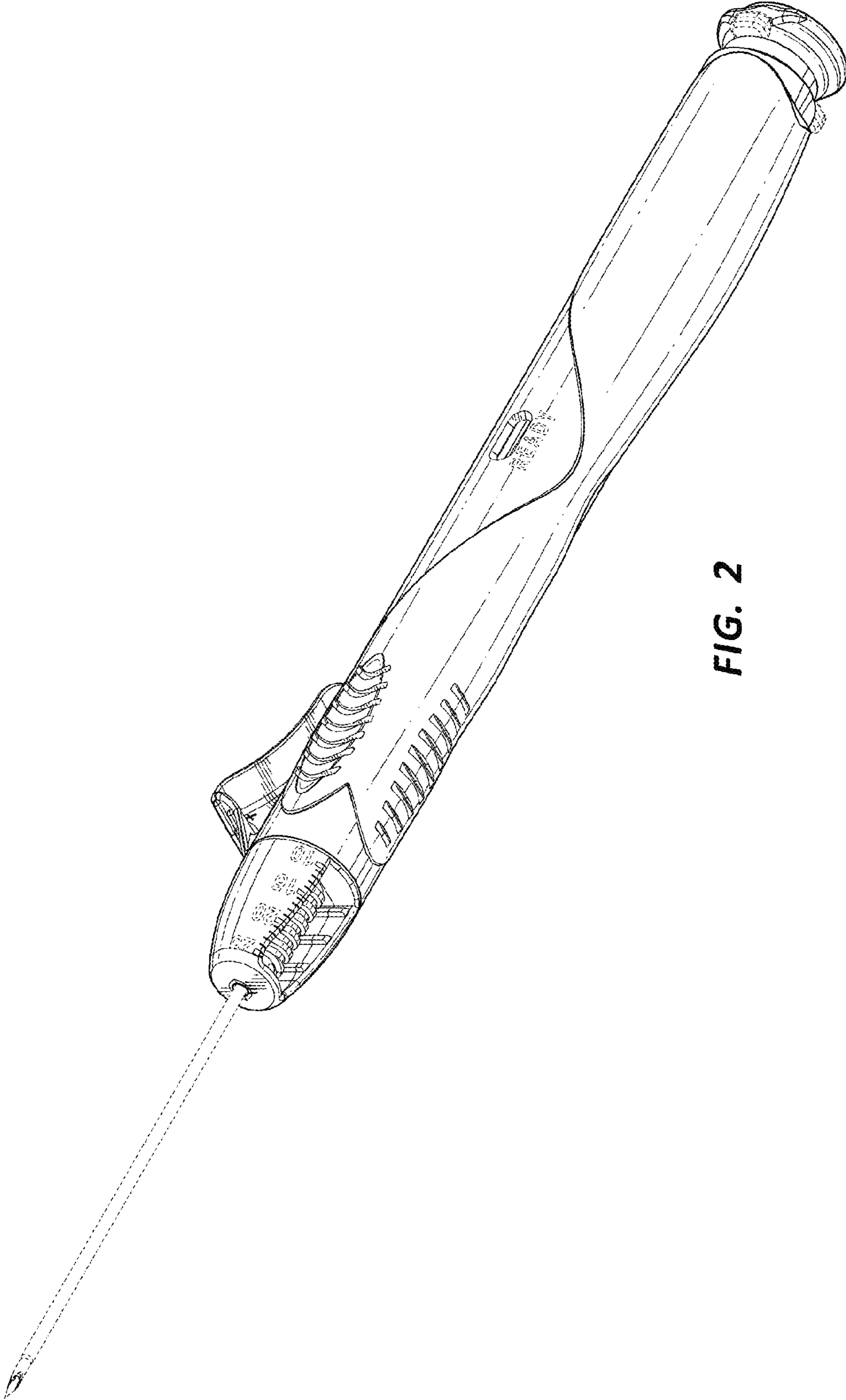


FIG. 2

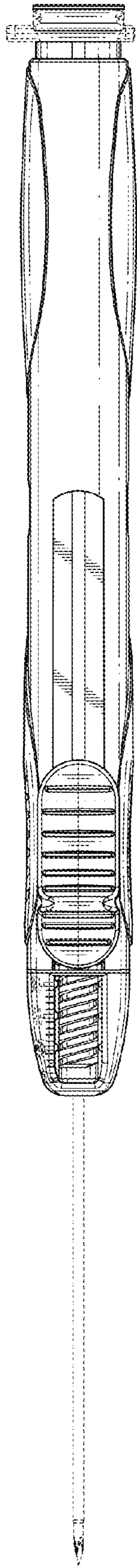


FIG. 3

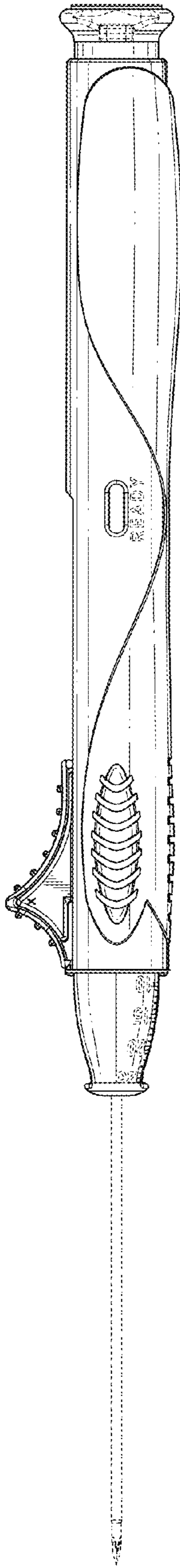


FIG. 4

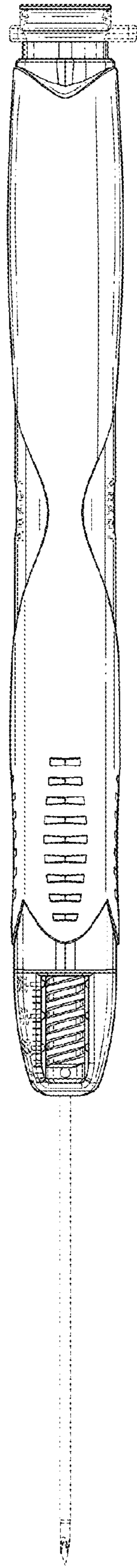


FIG. 5

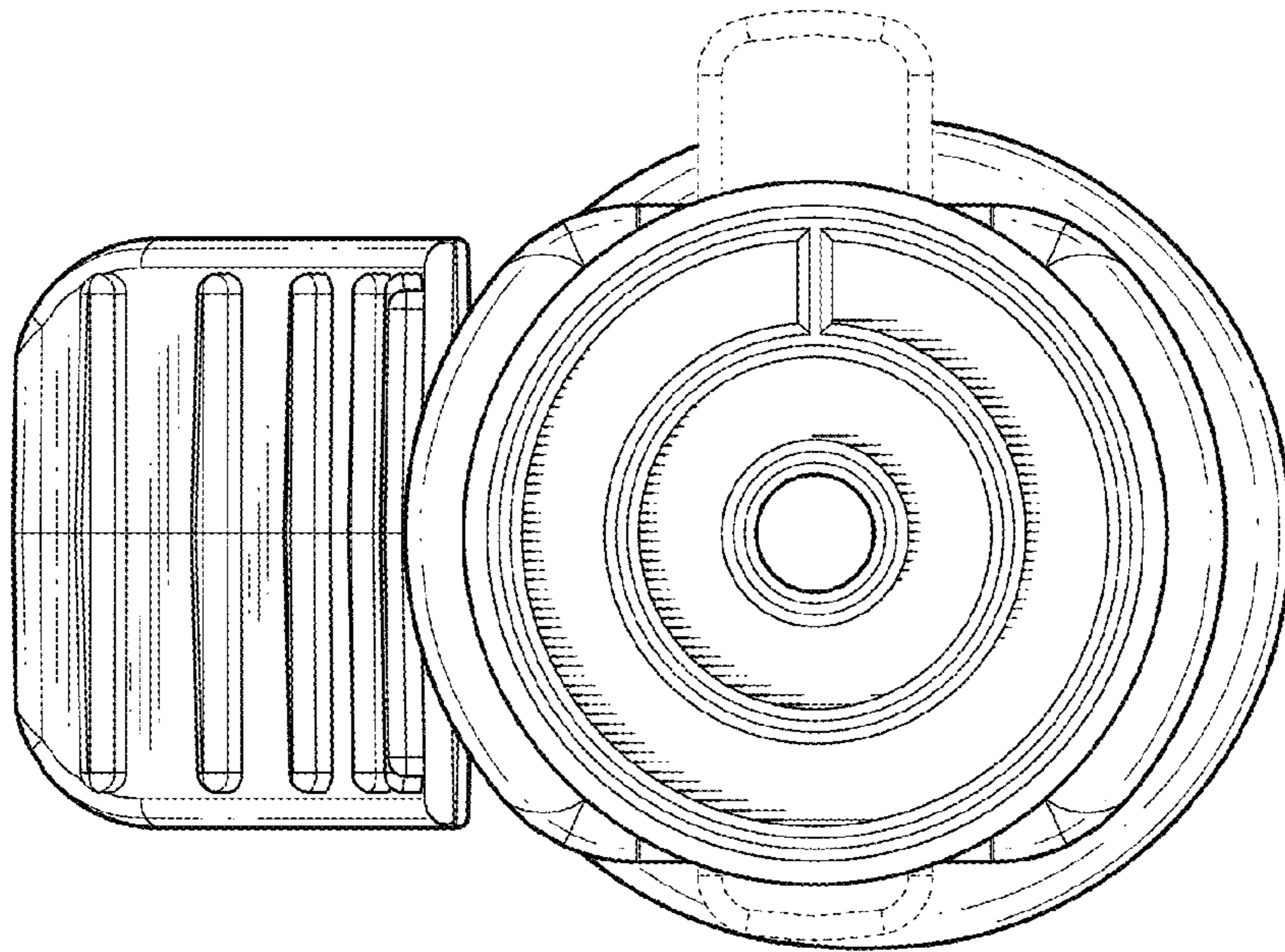


FIG. 7

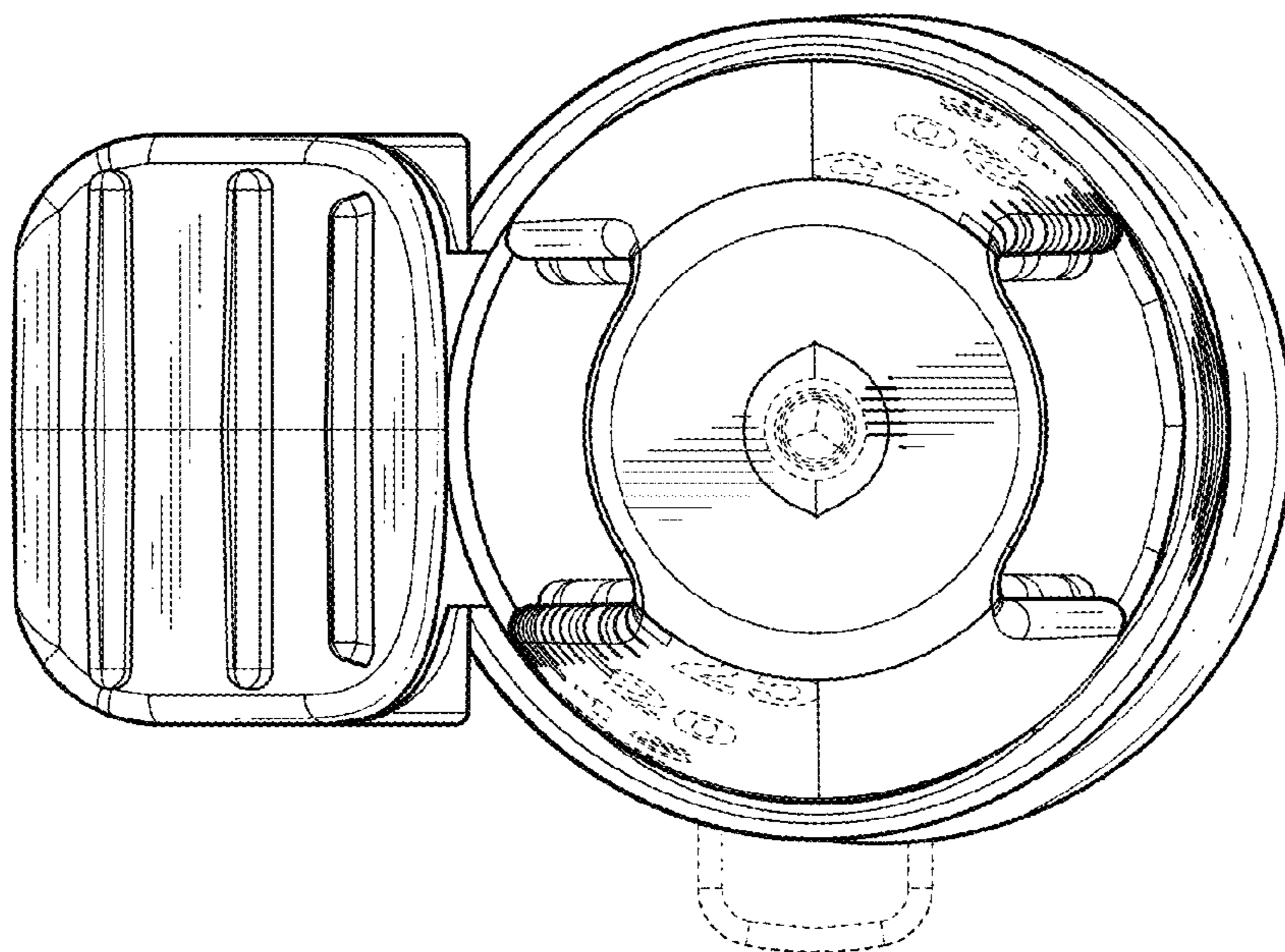


FIG. 6