

US00D736920S

(12) **United States Design Patent**  
**Lee et al.**

(10) **Patent No.:** **US D736,920 S**  
(45) **Date of Patent:** **\*\* Aug. 18, 2015**

(54) **OPEN VESSEL SEALER WITH MECHANICAL CUTTER**

(71) Applicant: **COVIDIEN LP**, Mansfield, MA (US)

(72) Inventors: **Weng-Kai K. Lee**, Longmont, CO (US); **Kelley D. Goodman**, Erie, CO (US); **Keir Hart**, Lafayette, CO (US); **Duane E. Kerr**, Loveland, CO (US); **Scott N. LaCosta**, Lafayette, CO (US); **Geneva Ladtkow**, Arvada, CO (US); **Kenneth E. Netzel**, Loveland, CO (US); **Jeffrey R. Townsend**, Loveland, CO (US); **Robert M. Sharp**, Boulder, CO (US)

(73) Assignee: **Covidien LP**, Mansfield, MA (US)

(\*\*) Term: **14 Years**

(21) Appl. No.: **29/481,392**

(22) Filed: **Feb. 5, 2014**

(30) **Foreign Application Priority Data**

Aug. 7, 2013 (CN) ..... 2013 3 0376262

(51) **LOC (10) Cl.** ..... **24-02**

(52) **U.S. Cl.**  
USPC ..... **D24/144**; D24/133; D24/147

(58) **Field of Classification Search**  
USPC ..... D24/133, 153, 143-144, 146-148;  
D8/51, 52, 54; 606/45, 51, 41, 1, 46,  
606/40, 167, 174  
See application file for complete search history.

(56) **References Cited**

**U.S. PATENT DOCUMENTS**

D249,549 S	9/1978	Pike
D263,020 S	2/1982	Rau, III
4,671,274 A	6/1987	Sorochenko
D295,893 S	5/1988	Sharkany et al.
D295,894 S	5/1988	Sharkany et al.
D298,353 S	11/1988	Manno

(Continued)

**FOREIGN PATENT DOCUMENTS**

CN	201299462	9/2009
DE	2415263 A1	10/1975

(Continued)

**OTHER PUBLICATIONS**

Michael Choti, "Abdominoperineal Resection with the LigaSure Vessel Sealing System and LigaSure Atlas 20 cm Open Instrument"; *Innovations That Work*, Jun. 2003.

(Continued)

*Primary Examiner* — Ian Simmons

*Assistant Examiner* — Samantha Q Lawrence

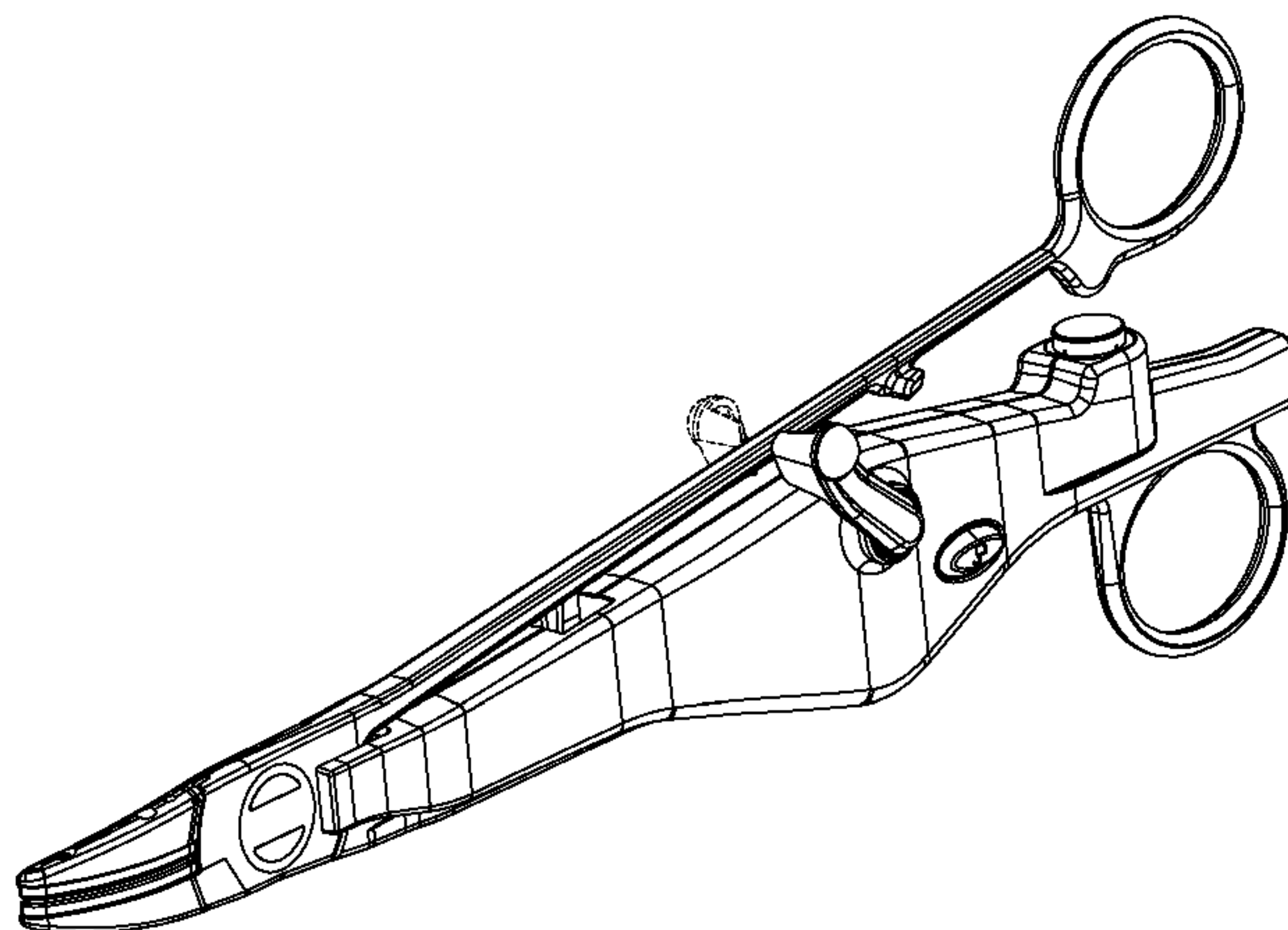
(57) **CLAIM**

The ornamental design for an open vessel sealer with mechanical cutter, as shown and described.

**DESCRIPTION**

FIG. 1 is a front, perspective view of an open vessel sealer with mechanical cutter showing the new design; FIG. 2 is a front view of the open vessel sealer with mechanical cutter of FIG. 1; FIG. 3 is a rear view of vessel sealer with mechanical cutter of FIG. 1; FIG. 4 is a left side view of the open vessel sealer with mechanical cutter of FIG. 1; FIG. 5 is a right side view of the open vessel sealer with mechanical cutter of FIG. 1; FIG. 6 is a top view of the open vessel sealer with mechanical cutter of FIG. 1; and, FIG. 7 is a bottom view of the open vessel sealer with mechanical cutter of FIG. 1. The broken lines shown in FIGS. 1-7 illustrate portions of the open vessel sealer with mechanical cutter that form no part of the claimed design.

**1 Claim, 7 Drawing Sheets**



(56)

References Cited

U.S. PATENT DOCUMENTS

D299,413 S 1/1989 DeCarolis  
 D343,453 S 1/1994 Noda  
 D348,930 S 7/1994 Olson  
 D349,341 S 8/1994 Lichtman et al.  
 D354,564 S 1/1995 Medema  
 D358,887 S 5/1995 Feinberg  
 D384,413 S 9/1997 Zlock et al.  
 H1745 H 8/1998 Paraschac  
 D402,028 S 12/1998 Grimm et al.  
 D408,018 S 4/1999 McNaughton  
 D416,089 S 11/1999 Barton et al.  
 D424,694 S 5/2000 Tetzlaff et al.  
 D425,201 S 5/2000 Tetzlaff et al.  
 H1904 H 10/2000 Yates et al.  
 D449,886 S 10/2001 Tetzlaff et al.  
 D453,923 S 2/2002 Olson  
 D454,951 S 3/2002 Bon  
 D457,958 S 5/2002 Dycus et al.  
 D457,959 S 5/2002 Tetzlaff et al.  
 H2037 H 7/2002 Yates et al.  
 D465,281 S 11/2002 Lang  
 D466,209 S 11/2002 Bon  
 6,511,480 B1 1/2003 Tetzlaff et al.  
 D493,888 S 8/2004 Reschke  
 D496,997 S 10/2004 Dycus et al.  
 D499,181 S 11/2004 Dycus et al.  
 D502,994 S 3/2005 Blake, III  
 D509,297 S 9/2005 Wells  
 D525,361 S 7/2006 Hushka  
 D531,311 S 10/2006 Guerra et al.  
 7,131,970 B2 11/2006 Moses et al.  
 D533,274 S 12/2006 Visconti et al.  
 D533,942 S 12/2006 Kerr et al.  
 D535,027 S 1/2007 James et al.  
 7,160,299 B2 1/2007 Baily  
 D538,932 S 3/2007 Malik  
 D541,418 S 4/2007 Schechter et al.  
 D541,611 S 5/2007 Aglassinge  
 D541,938 S 5/2007 Kerr et al.  
 D545,432 S 6/2007 Watanabe  
 D547,154 S 7/2007 Lee  
 D564,662 S 3/2008 Moses et al.  
 D567,943 S 4/2008 Moses et al.  
 D575,395 S 8/2008 Hushka  
 D575,401 S 8/2008 Hixson et al.  
 7,435,249 B2 10/2008 Buysse et al.  
 D582,038 S 12/2008 Swoyer et al.  
 7,641,653 B2 1/2010 Dalla Betta et al.  
 7,655,007 B2 2/2010 Baily  
 D617,900 S 6/2010 Kingsley et al.  
 D617,901 S 6/2010 Unger et al.  
 D617,902 S 6/2010 Twomey et al.  
 D617,903 S 6/2010 Unger et al.  
 D618,798 S 6/2010 Olson et al.  
 D621,503 S 8/2010 Otten et al.  
 7,811,283 B2 10/2010 Moses et al.  
 D627,462 S 11/2010 Kingsley  
 D628,289 S 11/2010 Romero  
 D628,290 S 11/2010 Romero  
 7,846,161 B2 12/2010 Dumbauld et al.  
 D630,324 S 1/2011 Reschke  
 7,922,718 B2 4/2011 Moses et al.  
 D649,249 S 11/2011 Guerra  
 D649,643 S 11/2011 Allen, IV et al.  
 8,128,625 B2 3/2012 Odom  
 D661,394 S 6/2012 Romero et al.  
 8,211,105 B2 7/2012 Buysse et al.  
 8,216,223 B2 7/2012 Wham et al.  
 8,235,993 B2 8/2012 Hushka et al.  
 8,241,283 B2 8/2012 Guerra et al.  
 8,298,228 B2 10/2012 Buysse et al.  
 D670,808 S 11/2012 Moua et al.  
 8,357,159 B2 1/2013 Romero  
 8,394,096 B2 3/2013 Moses et al.  
 D680,220 S 4/2013 Rachlin

8,425,504 B2 4/2013 Orton et al.  
 8,486,107 B2 7/2013 Hinton  
 8,574,230 B2 11/2013 Romero  
 8,623,017 B2 1/2014 Moses et al.  
 RE44,834 E 4/2014 Dumbauld et al.  
 2003/0109875 A1 6/2003 Tetzlaff et al.  
 2003/0181910 A1 9/2003 Dycus et al.  
 2003/0199869 A1\* 10/2003 Johnson et al. .... 606/50  
 2005/0107784 A1\* 5/2005 Moses et al. .... 606/51  
 2005/0119655 A1\* 6/2005 Moses et al. .... 606/51  
 2005/0154387 A1\* 7/2005 Moses et al. .... 606/51  
 2006/0074417 A1\* 4/2006 Cunningham et al. .... 606/51  
 2006/0167452 A1\* 7/2006 Moses et al. .... 606/51  
 2007/0088356 A1 4/2007 Moses et al.  
 2007/0118111 A1 5/2007 Weinberg  
 2007/0156140 A1 7/2007 Baily  
 2007/0260241 A1 11/2007 Dalla Betta et al.  
 2008/0039836 A1 2/2008 Odom et al.  
 2009/0062794 A1 3/2009 Buysse et al.  
 2010/0130971 A1 5/2010 Baily  
 2011/0054472 A1\* 3/2011 Romero ..... 606/51  
 2011/0218530 A1\* 9/2011 Reschke ..... 606/52  
 2011/0257680 A1\* 10/2011 Reschke et al. .... 606/206  
 2012/0083786 A1\* 4/2012 Artale et al. .... 606/51  
 2013/0018371 A1 1/2013 Twomey  
 2013/0041370 A1\* 2/2013 Unger ..... 606/37  
 2013/0103031 A1\* 4/2013 Garrison ..... 606/42  
 2013/0138101 A1 5/2013 Kerr  
 2014/0336635 A1\* 11/2014 Hart et al. .... 606/41  
 2015/0051599 A1\* 2/2015 Joseph ..... 606/41  
 2015/0066026 A1\* 3/2015 Hart et al. .... 606/46

FOREIGN PATENT DOCUMENTS

DE 02514501 A1 10/1976  
 DE 2627679 A1 1/1977  
 DE 03423356 C2 6/1986  
 DE 03612646 A1 4/1987  
 DE 3627221 A1 2/1988  
 DE 8712328 U1 2/1988  
 DE 04303882 C2 8/1994  
 DE 04403252 A1 8/1995  
 DE 19515914 C1 7/1996  
 DE 19506363 A1 8/1996  
 DE 29616210 U1 11/1996  
 DE 19608716 C1 4/1997  
 DE 19751106 A1 5/1998  
 DE 19751108 A1 5/1999  
 DE 10031773 B4 4/2000  
 DE 19946527 C1 7/2001  
 DE 20121161 U1 4/2002  
 DE 10045375 C2 10/2002  
 DE 202007009165 U1 8/2007  
 DE 202007009317 U1 8/2007  
 DE 202007009318 U1 8/2007  
 DE 202007016233 U1 1/2008  
 DE 19738457 B4 1/2009  
 DE 102004026179 B4 1/2009  
 DE 102008018406 B3 7/2009  
 EP 1159926 A3 12/2001  
 EP 1281878 A1 2/2003  
 EP 1532932 5/2005  
 EP 1609430 12/2005  
 EP 1852079 A1 11/2007  
 JP 61-501068 9/1984  
 JP 6-502328 3/1992  
 JP 5-5106 1/1993  
 JP 05-40112 2/1993  
 JP 0006030945 A 2/1994  
 JP 6-121797 A 5/1994  
 JP 6-285078 A 10/1994  
 JP 6-511401 12/1994  
 JP 06343644 A 12/1994  
 JP 07265328 A 10/1995  
 JP 8-56955 5/1996  
 JP 08252263 A 10/1996  
 JP 8-289895 A 11/1996  
 JP 8-317934 A 12/1996  
 JP 8-317936 A 12/1996



(56)

## References Cited

## FOREIGN PATENT DOCUMENTS

JP	9-10223	C	1/1997
JP	09000538	A	1/1997
JP	9-122138	A	5/1997
JP	10-24051	A	1/1998
JP	0010000195	A	1/1998
JP	10-155798	A	6/1998
JP	11-47149		2/1999
JP	11-47150	A	2/1999
JP	11-070124	A	3/1999
JP	11-169381	A	6/1999
JP	11-192238	A	7/1999
JP	11244298	A	9/1999
JP	2000-102545	A	4/2000
JP	2000-135222	A	5/2000
JP	2000342599	A	12/2000
JP	2000350732	A	12/2000
JP	2001008944	A	1/2001
JP	2001-29355		2/2001
JP	2001029356	A	2/2001
JP	2001-03400		4/2001
JP	2001128990	A	5/2001
JP	2001-190564	A	7/2001
JP	2002-136525	A	5/2002
JP	2002-528166	A	9/2002
JP	2003-116871	A	4/2003
JP	2003-175052	A	6/2003
JP	2003245285	A	9/2003
JP	2004-517668	A	6/2004
JP	2004-528869	A	9/2004
JP	2005-152663	A	6/2005
JP	2005-253789	A	9/2005
JP	2005312807	A	11/2005
JP	2006-015078	A	1/2006
JP	2006-501939	A	1/2006
JP	2006-095316	A	4/2006
JP	2008-054926	A	3/2008
JP	2011125195	A	6/2011
SU	401367	A1	11/1974
WO	00/24330		5/2000
WO	0036986	A1	6/2000
WO	0059392	A1	10/2000
WO	0115614	A1	3/2001
WO	0154604	A1	8/2001
WO	02045589	A3	9/2002
WO	02/080784		10/2002
WO	02/080785		10/2002
WO	02/080786		10/2002
WO	2006/021269	A1	3/2006
WO	2005110264	A3	4/2006
WO	2008/040483	A1	4/2008
WO	2011/018154	A1	2/2011

## OTHER PUBLICATIONS

Chung et al., "Clinical Experience of Sutureless Closed Hemorrhoidectomy with LigaSure" *Diseases of the Colon & Rectum* vol. 46, No. 1 Jan. 2003.

Tinkler L.F., "Combined Diathermy and Suction Forceps", Feb. 6, 1967 (Feb. 6, 1965), *British Medical Journal* Feb. 6, 1976, vol. 1, nr. 5431 p. 361, ISSN: 0007-1447.

Carbonell et al., "Comparison of the Gyrus PlasmaKinetic Sealer and the Valleylab LigaSure Device in the Hemostasis of Small, Medium, and Large-Sized Arteries" *Carolinas Laparoscopic and Advanced Surgery Program, Carolinas Medical Center, Charlotte, NC*; Date: Aug. 2003.

Peterson et al. "Comparison of Healing Process Following Ligation with Sutures and Bipolar Vessel Sealing" *Surgical Technology International* (2001).

"Electrosurgery: A Historical Overview" *Innovations in Electrosurgery*; Sales/Product Literature; Dec. 31, 2000.

Johnson et al. "Evaluation of a Bipolar Electrothermal Vessel Sealing Device in Hemorrhoidectomy" *Sales/Product Literature*; Jan. 2004.

E. David Crawford "Evaluation of a New Vessel Sealing Device in Urologic Cancer Surgery" *Sales/Product Literature* 2000.

Johnson et al. "Evaluation of the LigaSure Vessel Sealing System in Hemorrhoidectomy" *American College of Surgeons (ACS) Clinica Congress Poster* (2000).

Muller et al., "Extended Left Hemicolectomy Using the LigaSure Vessel Sealing System" *Innovations That Work*, Sep. 1999.

Kennedy et al. "High-burst-strength, feedback-controlled bipolar vessel sealing" *Surgical Endoscopy* (1998) 12:876-878.

Burdette et al. "In Vivo Probe Measurement Technique for Determining Dielectric Properties At VHF Through Microwave Frequencies", *IEEE Transactions on Microwave Theory and Techniques*, vol. MTT-28, No. 4, Apr. 1980 pp. 414-427.

Carus et al., "Initial Experience With The LigaSure Vessel Sealing System in Abdominal Surgery" *Innovations That Work*, Jun. 2002.

Heniford et al. "Initial Research and Clinical Results with an Electrothermal Bipolar Vessel Sealer" Oct. 1999.

Heniford et al. "Initial Results with an Electrothermal Bipolar Vessel Sealer" *Surgical Endoscopy* (2000) 15:799-801.

Herman et al., "Laparoscopic Intestinal Resection With the LigaSure Vessel Sealing System: A Case Report"; *Innovations That Work*, Feb. 2002.

Koyle et al., "Laparoscopic Palomo Varicocele Ligation in Children and Adolescents" *Pediatric Endosurgery & Innovative Techniques*, vol. 6, No. 1, 2002.

W. Scott Helton, "LigaSure Vessel Sealing System: Revolutionary Hemostasis Product for General Surgery"; *Sales/Product Literature* 1999.

LigaSure Vessel Sealing System, the Seal of Confidence in General, Gynecologic, Urologic, and Laparoscopic Surgery; *Sales/Product Literature*; Apr. 2002.

Joseph Ortenberg "LigaSure System Used in Laparoscopic 1st and 2nd Stage Orchiopexy" *Innovations That Work*, Nov. 2002.

Sigel et al. "The Mechanism of Blood Vessel Closure by High Frequency Electrocoagulation" *Surgery Gynecology & Obstetrics*, Oct. 1965 pp. 823-831.

Sampayan et al., "Multilayer Ultra-High Gradient Insulator Technology" *Discharges and Electrical Insulation in Vacuum*, 1998. Netherlands Aug. 17-21, 1998; vol. 2, pp. 740-743.

Paul G. Horgan, "A Novel Technique for Parenchymal Division During Hepatectomy" *The American Journal of Surgery*, vol. 181, No. 3, Apr. 2001 pp. 236-237.

Benaron et al., "Optical Time-Of-Flight and Absorbance Imaging of Biologic Media", *Science, American Association for the Advancement Of Science*, Washington, DC, vol. 259, Mar. 5, 1993, pp. 1463-1466.

Olsson et al. "Radical Cystectomy in Females" *Current Surgical Techniques in Urology*, vol. 14, Issue 3, 2001.

Palazzo et al. "Randomized clinical trial of Ligasure versus open haemorrhoidectomy" *British Journal of Surgery* 2002, 89, 154-157.

Levy et al. "Randomized Trial of Suture Versus Electrosurgical Bipolar Vessel Sealing in Vaginal hysterectomy" *Obstetrics & Gynecology*, vol. 102, No. 1, Jul. 2003.

"Reducing Needlestick Injuries in the Operating Room" *Sales/Product Literature* 2001.

Bergdahl et al. "Studies on Coagulation and the Development of an Automatic Computerized Bipolar Coagulator" *J. Neurosurg*, vol. 75, Jul. 1991, pp. 148-151.

Strasberg et al. "A Phase I Study of the LigaSure Vessel Sealing System in Hepatic Surgery" *Section of HPB Surger, Washington University School of Medicine, St. Louis MO*, Presented at AHPBA, Feb. 2001.

Sayfan et al. "Sutureless Closed Hemorrhoidectomy: A New Technique" *Annals of Surgery* vol. 234 No. 1 Jul. 2001; pp. 21-24.

Levy et al., "Update on Hysterectomy—New Technologies and Techniques" *OBG Management*, Feb. 2003.

Dulemba et al. "Use of a Bipolar Electrothermal Vessel Sealer in Laparoscopically Assisted Vaginal Hysterectomy" *Sales/Product Literature*; Jan. 2004.

Sengupta et al., "Use of a Computer-Controlled Bipolar Diathermy System in Radical Prostatectomies and Other Open Urological Surgery" *ANZ Journal of Surgery* (2001) 71.9 pp. 538-540.



(56)

**References Cited**

## OTHER PUBLICATIONS

Rothenberg et al. "Use of the LigaSure Vessel Sealing System in Minimally Invasive Surgery in Children" Int'l Pediatric Endosurgery Group (IPEG) 2000.

Crawford et al. "Use of the LigaSure Vessel Sealing System in Urologic Cancer Surgery" Grand Rounds in Urology 1999 vol. 1 Issue 4 pp. 10-17.

Craig Johnson, "Use of the LigaSure Vessel Sealing System in Bloodless Hemorrhoidectomy" Innovations That Work, Mar. 2000.

Levy et al. "Use of a New Energy-based Vessel Ligation Device During Vaginal Hysterectomy" Int'l Federation of Gynecology and Obstetrics (FIGO) World Congress 1999.

Barbara Levy, "Use of a New Vessel Ligation Device During Vaginal Hysterectomy" FIGO 2000, Washington, D.C.

E. David Crawford "Use of a Novel Vessel Sealing Technology in Management of the Dorsal Venous Complex" Sales/Product Literature 2000.

Jarrett et al., "Use of the LigaSure Vessel Sealing System for Perihilar Vessels in Laparoscopic Nephrectomy" Sales/Product Literature 2000.

Crouch et al. "A Velocity-Dependent Model for Needle Insertion in Soft Tissue" MICCAI 2005; LNCS 3750 pp. 624-632, Dated: 2005.

McLellan et al. "Vessel Sealing for Hemostasis During Pelvic Surgery" Int'l Federation of Gynecology and Obstetrics FIGO World Congress 2000, Washington, D.C.

McLellan et al. "Vessel Sealing for Hemostasis During Gynecologic Surgery" Sales/Product Literature 1999.

U.S. Appl. No. 08/926,869, filed Sep. 10, 1997; inventor: James G. Chandler.

U.S. Appl. No. 09/177,950, filed Oct. 23, 1998; inventor: Randel A. Frazier.

U.S. Appl. No. 09/387,883, filed Sep. 1, 1999; inventor: Dale F. Schmaltz.

U.S. Appl. No. 09/591,328, filed Jun. 9, 2000; inventor: Thomas P. Ryan.

U.S. Appl. No. 12/336,970, filed Dec. 17, 2008; inventor: Paul R. Sremeich.

U.S. Appl. No. 13/731,674, filed Dec. 31, 2012; inventor: Siebrecht.

U.S. Appl. No. 14/065,644, filed Oct. 29, 2013; inventor: Reschke.

U.S. Appl. No. 14/098,953, filed Dec. 6, 2013; inventor: Cunningham.

U.S. Appl. No. 14/100,237; filed Dec. 9, 2013; inventor: Reschke.

U.S. Appl. No. 14/103,971, filed Dec. 12, 2013; inventor: Roy.

U.S. Appl. No. 14/105,374, filed Dec. 13, 2013; inventor: Moua.

U.S. Appl. No. 14/152,618, filed Jan. 10, 2014; inventor: Artale.

U.S. Appl. No. 14/152,690, filed Jan. 10, 2014; inventor: Hart.

U.S. Appl. No. 14/169,358, filed Jan. 31, 2014; inventor: Reschke.

U.S. Appl. No. 14/173,391, filed Feb. 5, 2014; inventor: Kharin.

U.S. Appl. No. 14/176,341, filed Feb. 10, 2014; inventor: Hart.

U.S. Appl. No. 14/177,812, filed Feb. 11, 2014; inventor: Dycus.

U.S. Appl. No. 14/182,894, filed Feb. 18, 2014; inventor: Hart.

U.S. Appl. No. 14/182,967, filed Feb. 18, 2014; inventor: Latimer.

U.S. Appl. No. 14/183,090, filed Feb. 18, 2014; inventor: Arts.

U.S. Appl. No. 14/196,066, filed Mar. 4, 2014; inventor: McCullough.

U.S. Appl. No. 14/250,180, filed Apr. 10, 2014; inventor: Guerra.

U.S. Appl. No. 14/253,017, filed Apr. 15, 2014; inventor: Orszulak.

U.S. Appl. No. 14/260,905, filed Apr. 24, 2014; inventor: Jensen.

U.S. Appl. No. 14/268,051, filed May 2, 2014; inventor: Hart.

U.S. Appl. No. 14/268,140, filed May 2, 2014; inventor: Twomey.

U.S. Appl. No. 14/273,350, filed May 8, 2014; inventor: Gilbert.

U.S. Appl. No. 14/274,445, filed May 9, 2014; inventor: Hixson.

U.S. Appl. No. 14/276,465, filed May 13, 2014; inventor: Kappus.

U.S. Appl. No. 14/282,738, filed May 20, 2014; inventor: Rachlin.

U.S. Appl. No. 14/284,618, filed May 22, 2014; inventor: Hempstead.

U.S. Appl. No. 14/286,105, filed May 23, 2014; inventor: Johnson.

U.S. Appl. No. 14/294,316, filed Jun. 3, 2014; inventor: Johnson.

U.S. Appl. No. 14/295,049, filed Jun. 3, 2014; inventor: Couture.

U.S. Appl. No. 14/295,730, filed Jun. 4, 2014; inventor: Sartor.

U.S. Appl. No. 14/295,757, filed Jun. 14, 2014; inventor: McKenna.

U.S. Appl. No. 14/297,316, filed Jun. 5, 2014; inventor: Ackley.

U.S. Appl. No. 14/297,404, filed Jun. 5, 2014; inventor: Allen.

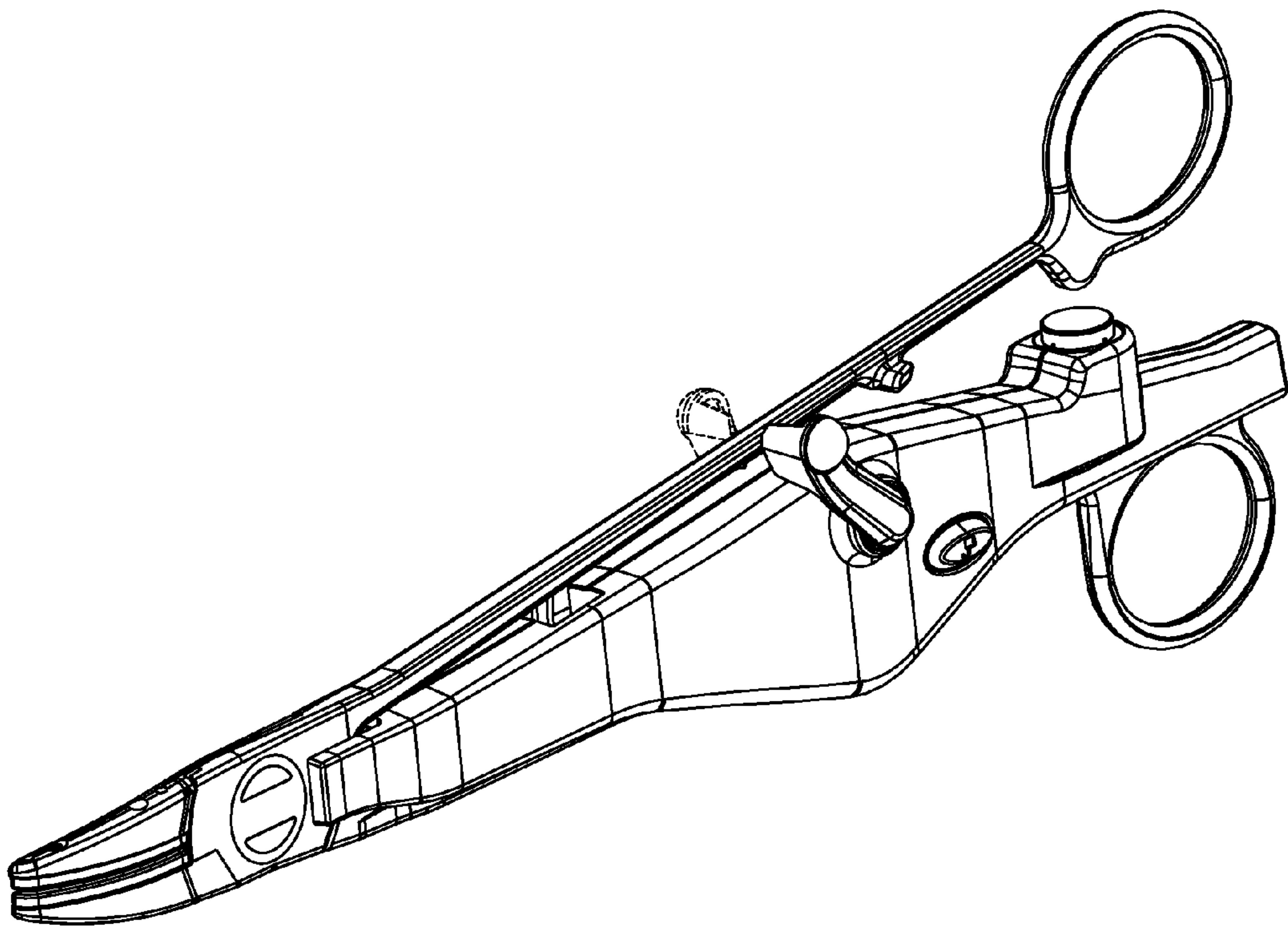
U.S. Appl. No. 14/299,740, filed Jun. 9, 2014; inventor: Larson.

U.S. Appl. No. 14/319,869, filed Jun. 30, 2014; inventor: Cunningham.

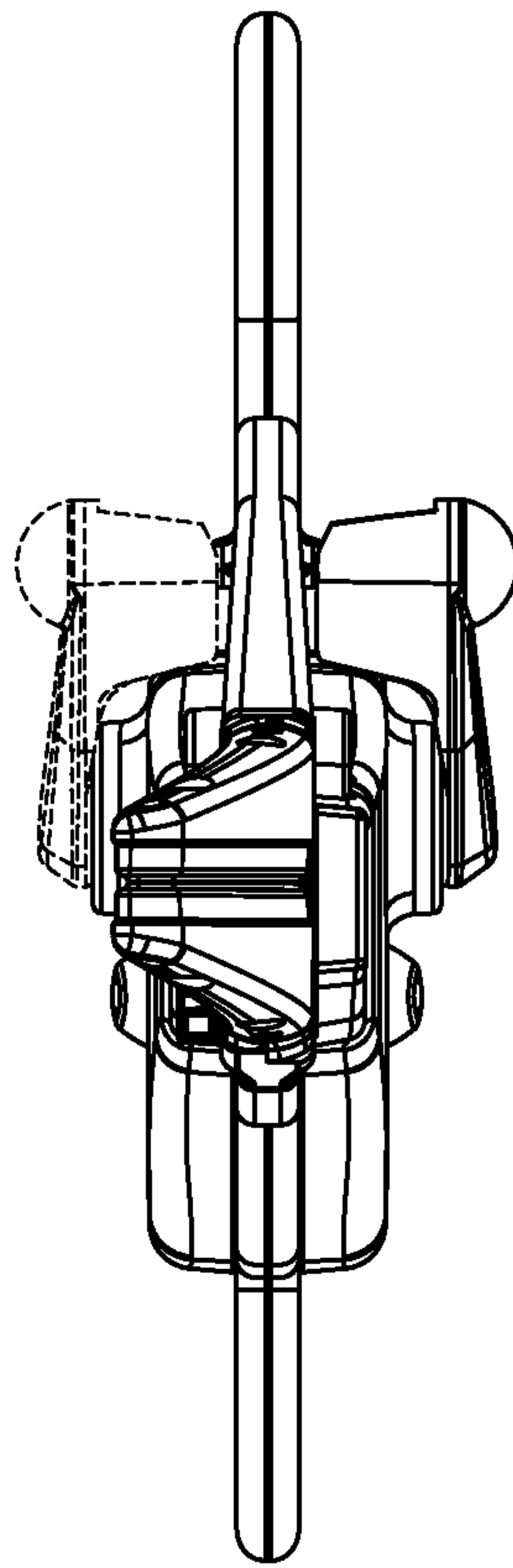
U.S. Appl. No. 14/322,513, filed Jul. 2, 2014; inventor: Duffin.

U.S. Appl. No. 14/335,303, filed Jul. 18, 2014; inventor: Lee.

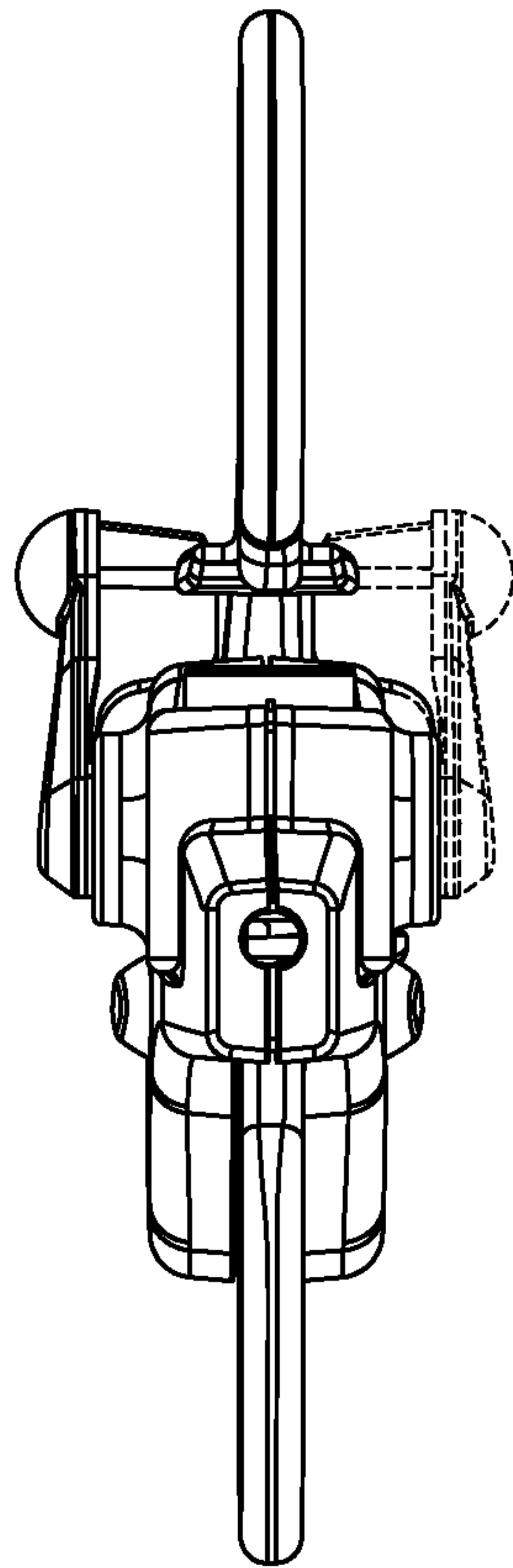
\* cited by examiner



*Fig. 1*



*Fig. 2*



*Fig. 3*

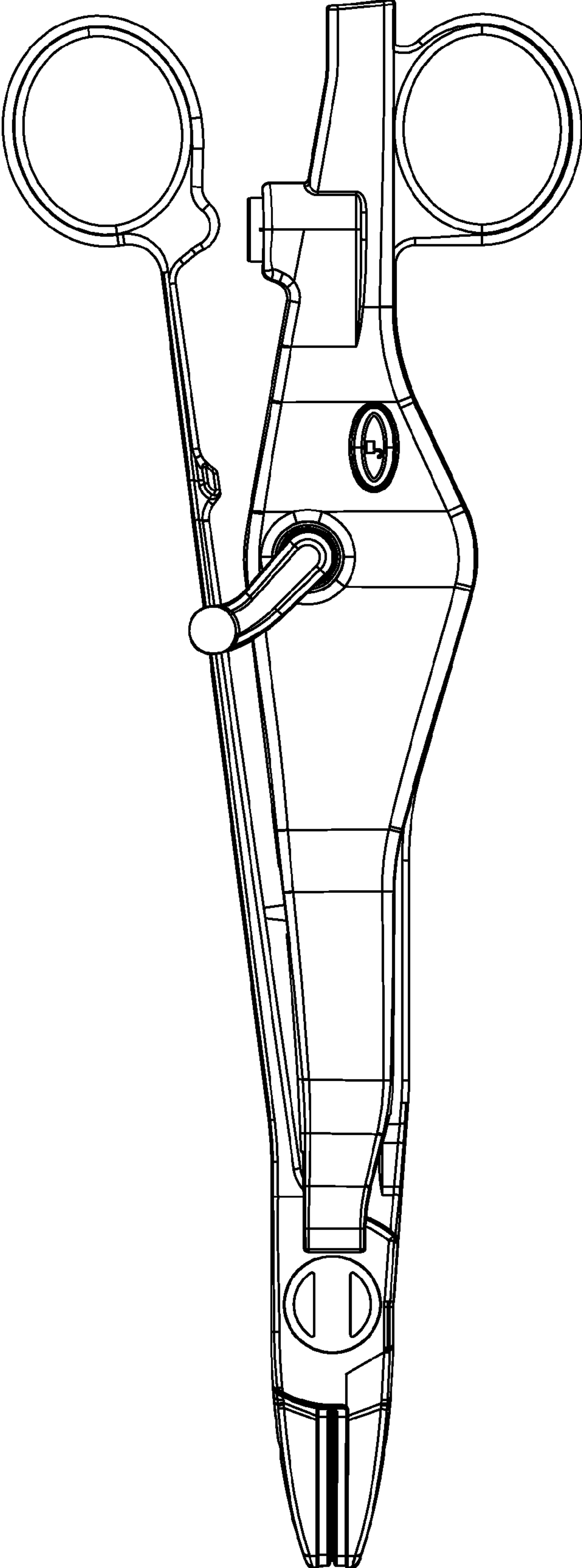


Fig. 4



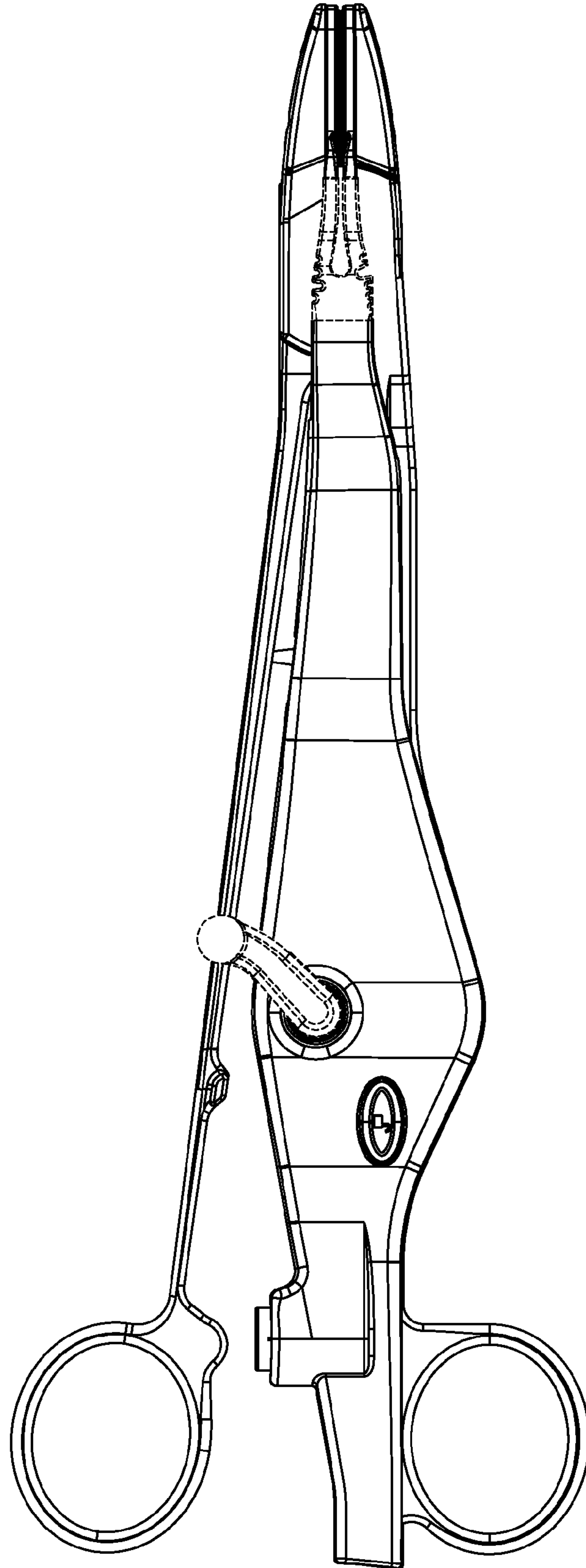


Fig. 5

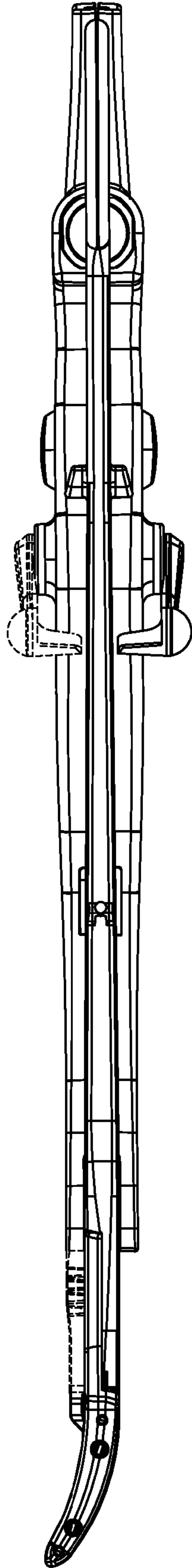


Fig. 6

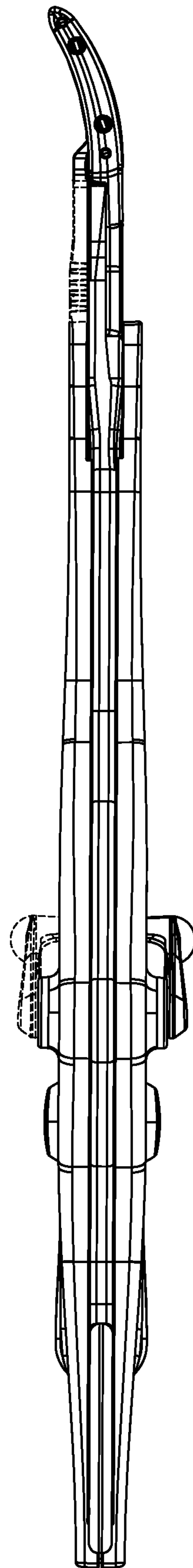


Fig. 7



UNITED STATES PATENT AND TRADEMARK OFFICE  
**CERTIFICATE OF CORRECTION**

PATENT NO. : D736,920 S  
APPLICATION NO. : 29/481392  
DATED : August 18, 2015  
INVENTOR(S) : Lee et al.

Page 1 of 1

It is certified that error appears in the above-identified patent and that said Letters Patent is hereby corrected as shown below:

On the Title Page

Item (72) Inventor is corrected to read:

-- Weng-Kai K. Lee, Longmont, CO;  
Kelley D. Goodman, Erie, CO;  
Keir Hart, Lafayette, CO;  
Duane E. Kerr, Loveland, CO;  
Scott N. LaCosta, Lafayette, CO;  
Geneva Ladtkow, Arvada, CO;  
Kenneth E. Netzel, Loveland, CO;  
Jeffrey R. Townsend, Longmont, CO;  
Robert M. Sharp, Boulder, CO;  
Peixiong Yi, Shanghai, CN --.

Signed and Sealed this  
Second Day of October, 2018



Andrei Iancu  
*Director of the United States Patent and Trademark Office*