



US00D736919S

(12) **United States Design Patent**  
**Connolly et al.**

(10) **Patent No.:** **US D736,919 S**

(45) **Date of Patent:** **\*\* Aug. 18, 2015**

(54) **HANDLE FOR A MEDICAL DELIVERY DEVICE**

(71) Applicant: **Benvenue Medical, Inc.**, Santa Clara, CA (US)

(72) Inventors: **Ryan Connolly**, San Carlos, CA (US);  
**Patricia Ho**, Redwood City, CA (US);  
**Jochen Backs**, San Francisco, CA (US)

(73) Assignee: **Benvenue Medical, Inc.**, Santa Clara, CA (US)

(\*\*) Term: **14 Years**

(21) Appl. No.: **29/490,005**

(22) Filed: **May 6, 2014**

(51) **LOC (10) Cl.** ..... **24-00**

(52) **U.S. Cl.**  
USPC ..... **D24/141**

(58) **Field of Classification Search**  
USPC ..... D24/170, 232, 144, 138, 169, 222;  
D13/112, 116; 606/34, 45, 37, 48, 21,  
606/29, 33; 604/21; 227/179.1, 180.1,  
227/175.1  
CPC ..... A61B 18/1206; A61B 18/1402; A61B  
18/08; A61B 17/115; A61B 17/07207; A61B  
18/1815  
See application file for complete search history.

(56) **References Cited**

**U.S. PATENT DOCUMENTS**

7,500,974 B2 \* 3/2009 Sartor ..... 606/45  
D625,429 S \* 10/2010 Link et al. .... D24/222  
D672,469 S \* 12/2012 Christensen et al. .... D24/222

D694,424 S \* 11/2013 Kwak et al. .... D24/222  
D701,321 S \* 3/2014 McEtchin et al. .... D24/222  
8,795,269 B2 \* 8/2014 Garrison ..... 606/37  
2010/0241177 A1 \* 9/2010 Schaller et al. .... 606/86 A

(Continued)

*Primary Examiner* — Holly Baynham

*Assistant Examiner* — Rhea Shields

(74) *Attorney, Agent, or Firm* — Cook Alex Ltd.

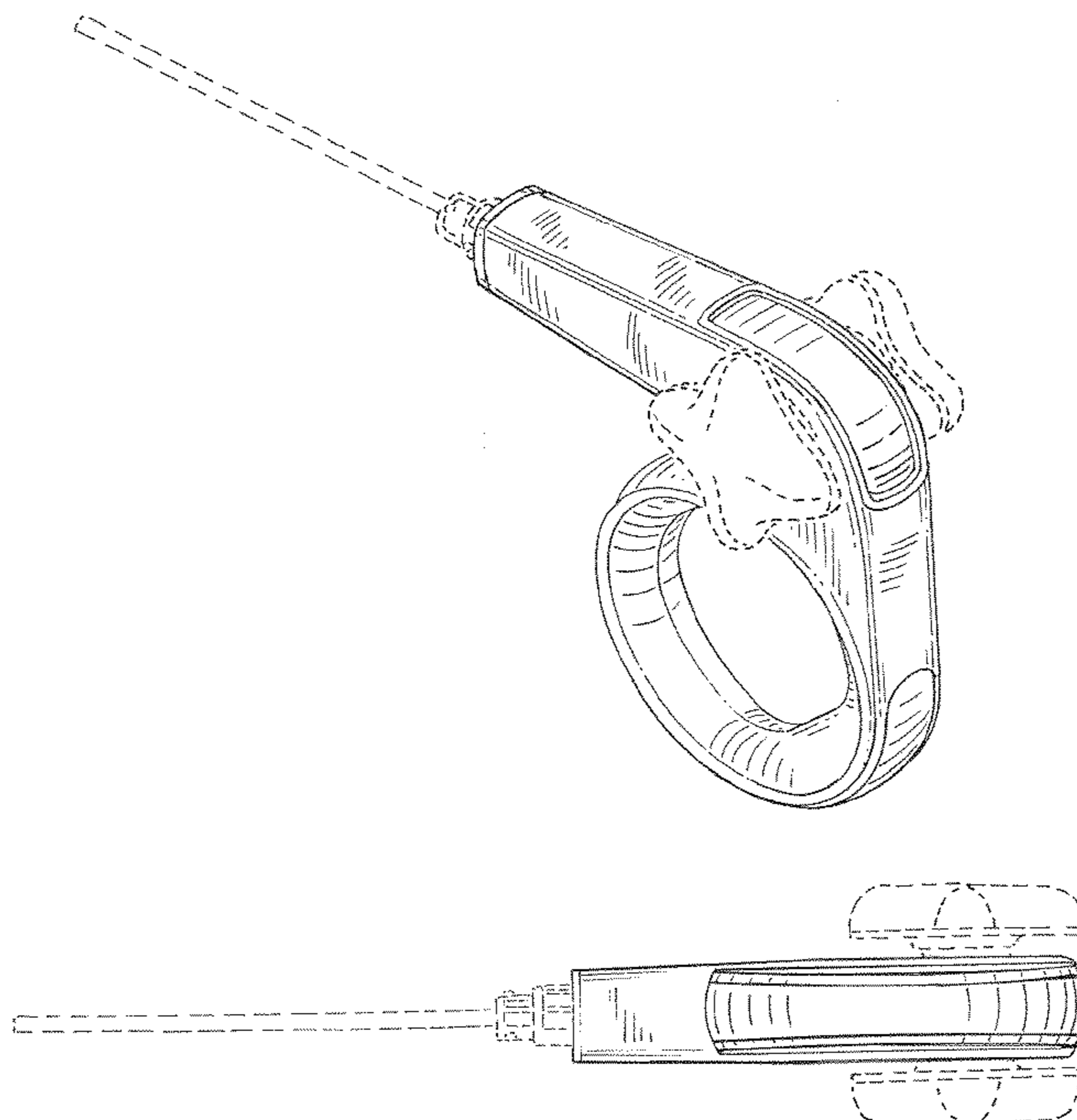
(57) **CLAIM**

The ornamental design for a handle for a medical delivery device, as shown and described.

**DESCRIPTION**

FIG. 1 is a perspective view of a first embodiment of a handle for a medical delivery device, showing the new design; FIG. 2 is a front elevational view of the handle of FIG. 1; FIG. 3 is a rear elevational view of the handle of FIG. 1; FIG. 4 is top plan view of the handle of FIG. 1; FIG. 5 is a left side elevational view of the handle of FIG. 1; FIG. 6 is a right side elevational view of the handle of FIG. 1; FIG. 7 is a bottom plan view of the handle of FIG. 1; FIG. 8 is a perspective view of a second embodiment of a handle for a medical delivery device, showing the new design; FIG. 9 is a front elevational view of the handle of FIG. 8; FIG. 10 is a rear elevational view of the handle of FIG. 8; FIG. 11 is top plan view of the handle of FIG. 8; FIG. 12 is a left side elevational view of the handle of FIG. 8; FIG. 13 is a right side elevational view of the handle of FIG. 8; and, FIG. 14 is a bottom plan view of the handle of FIG. 8. In the drawings, the broken lines are for the purpose of illustrating environment only and form no part of the claimed design.

**1 Claim, 6 Drawing Sheets**



# US D736,919 S

Page 2

---

(56)

## References Cited

### U.S. PATENT DOCUMENTS

2013/0324910	A1 *	12/2013	Ohri et al. ....	604/21	2015/0053747	A1 *	2/2015	Prior .....	227/179.1
2014/0276717	A1 *	9/2014	Wan et al. ....	606/29	2015/0060525	A1 *	3/2015	Vestweber .....	227/180.1
2014/0276751	A1 *	9/2014	Sartor et al. ....	606/33	2015/0069108	A1 *	3/2015	Williams .....	227/175.1
					2015/0088122	A1 *	3/2015	Jensen .....	606/37

\* cited by examiner

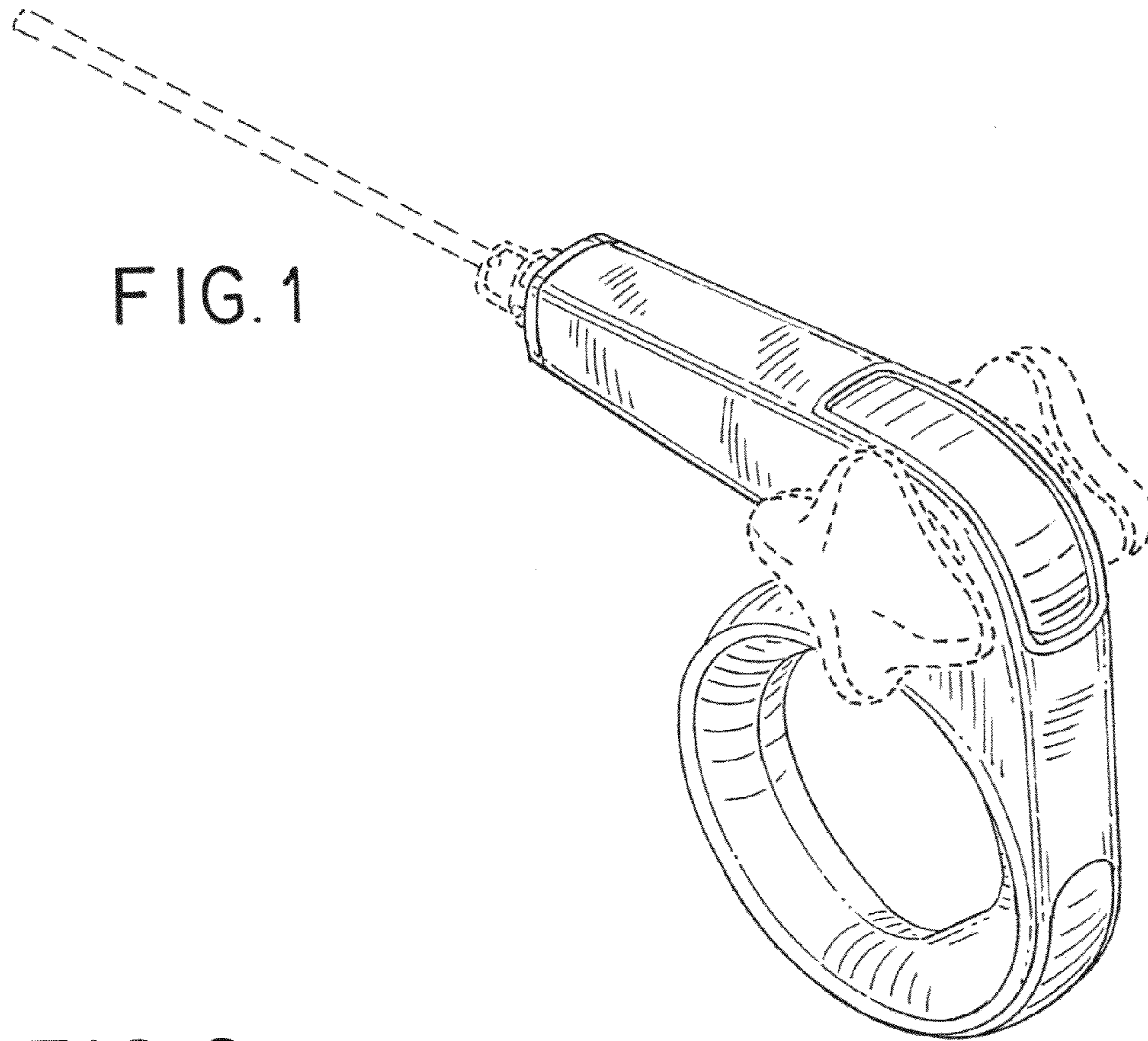


FIG. 1

FIG. 2

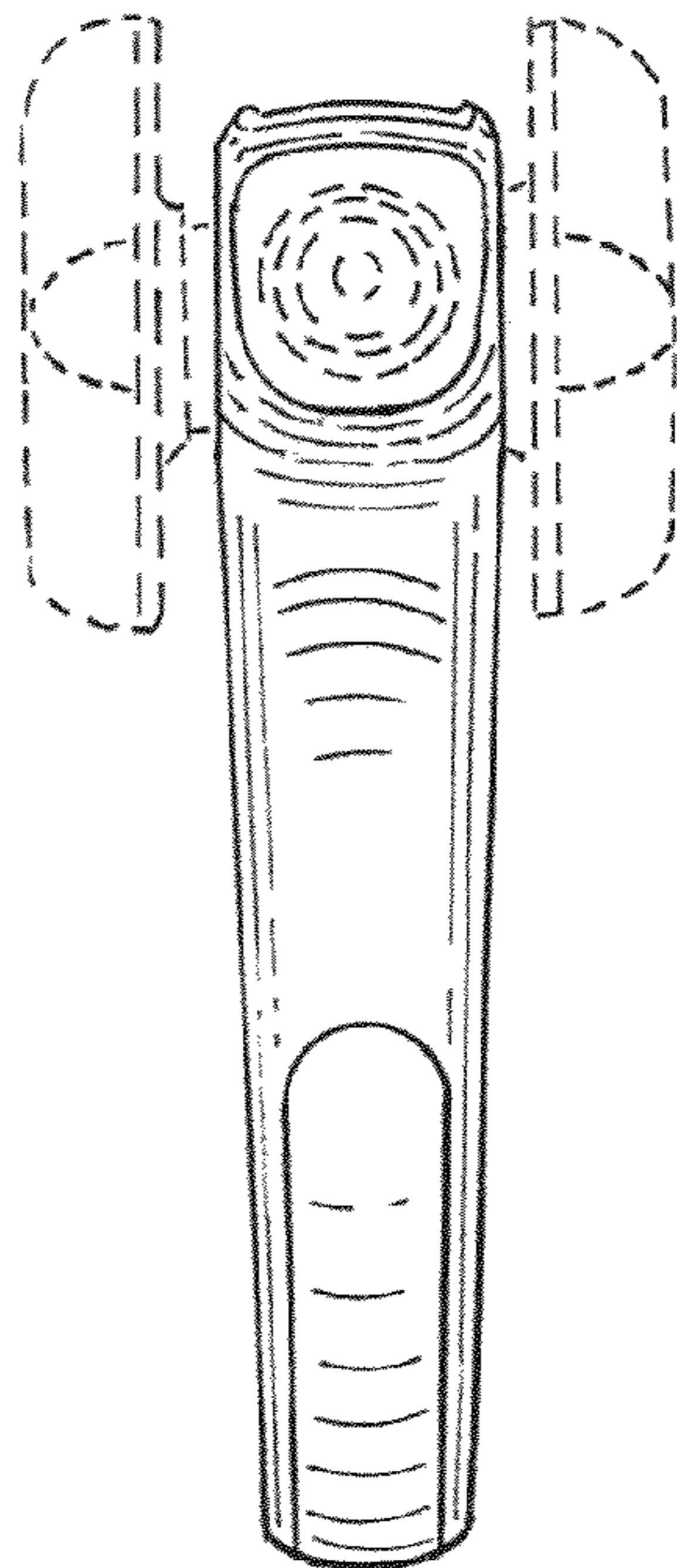
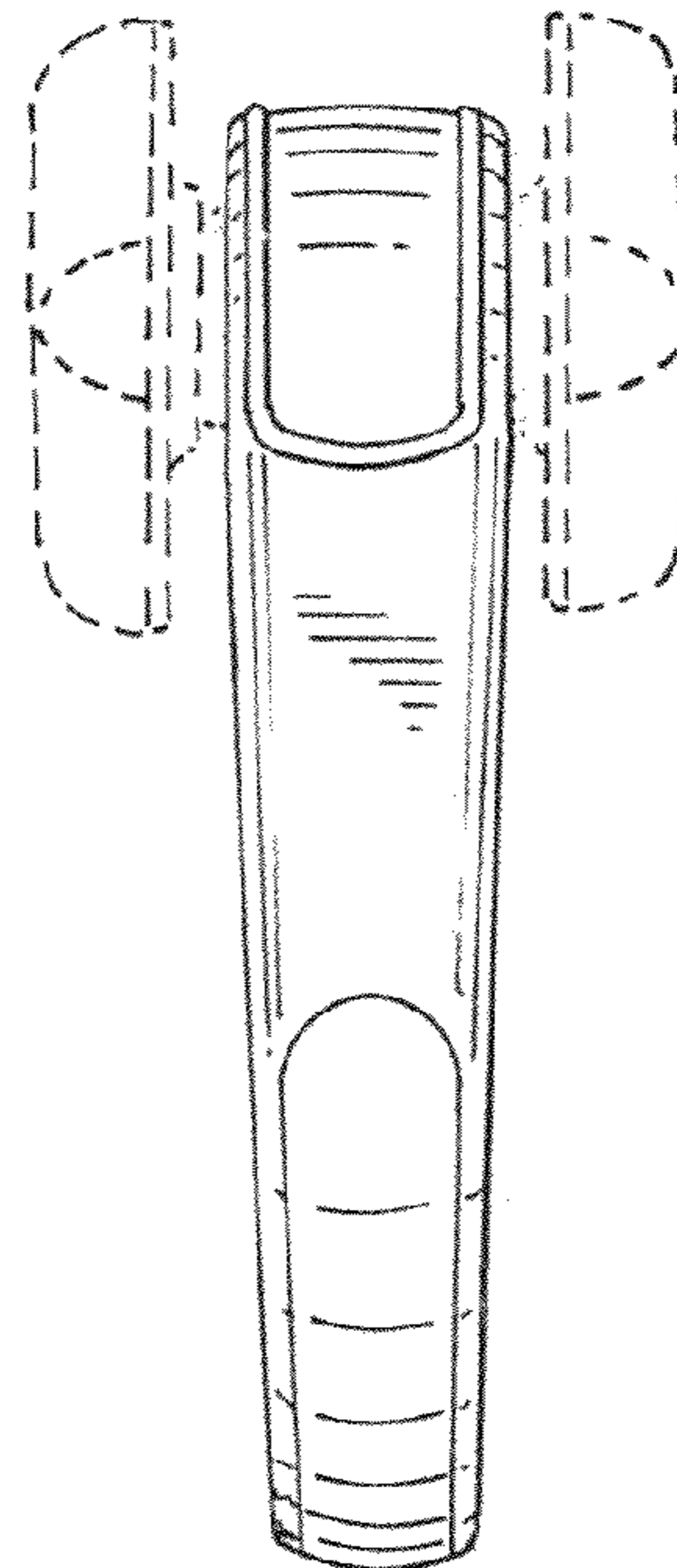


FIG. 3





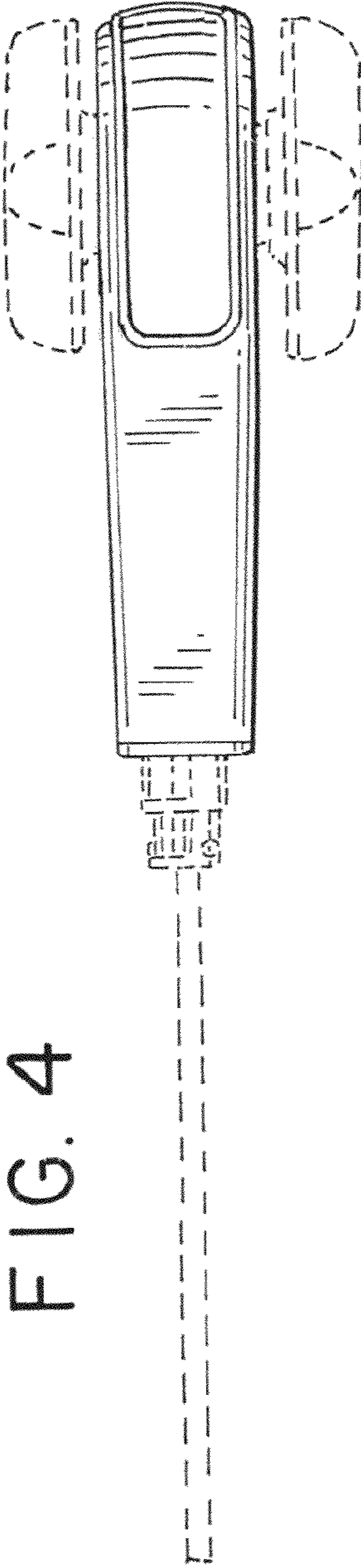


FIG. 4

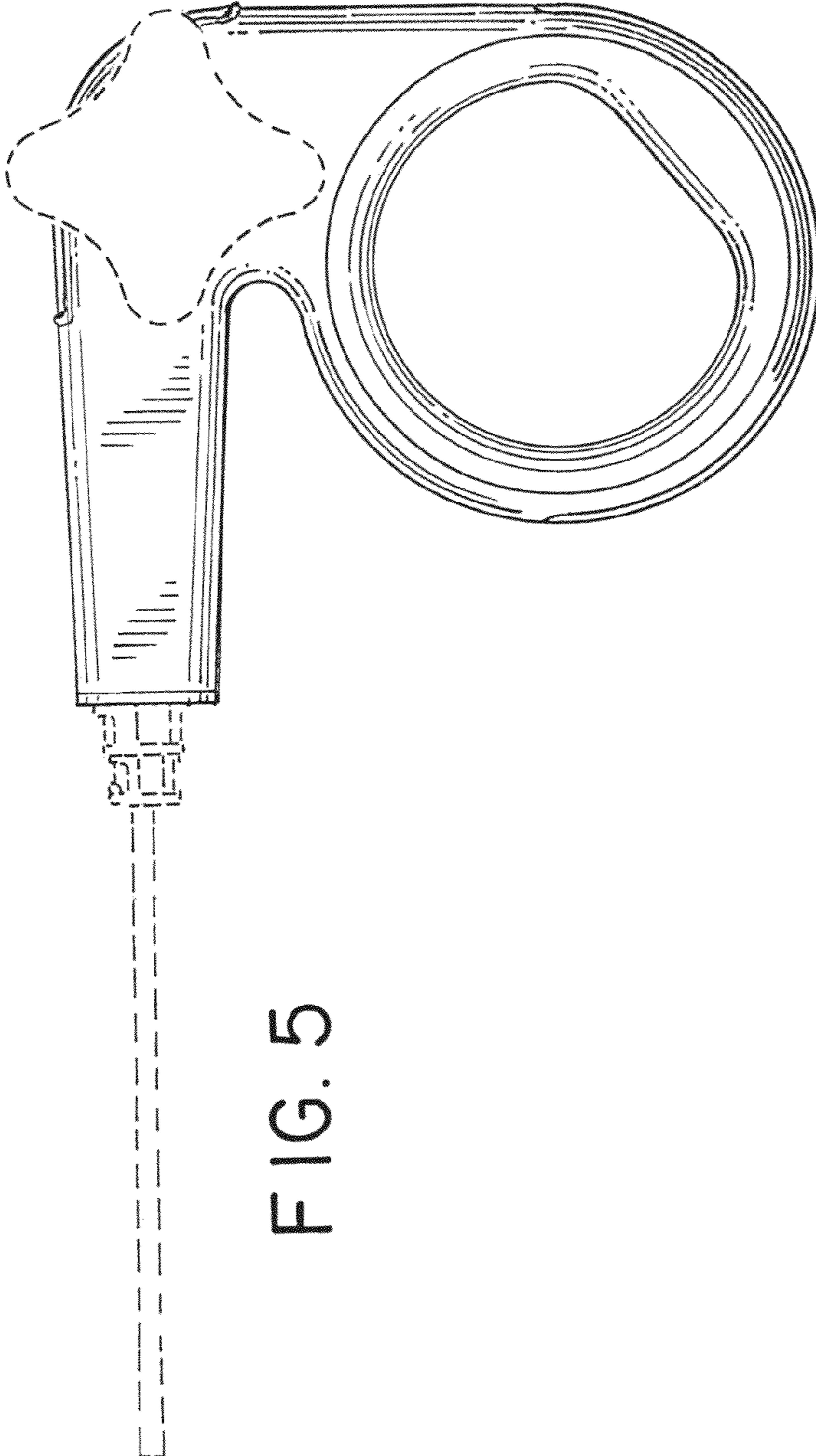


FIG. 5

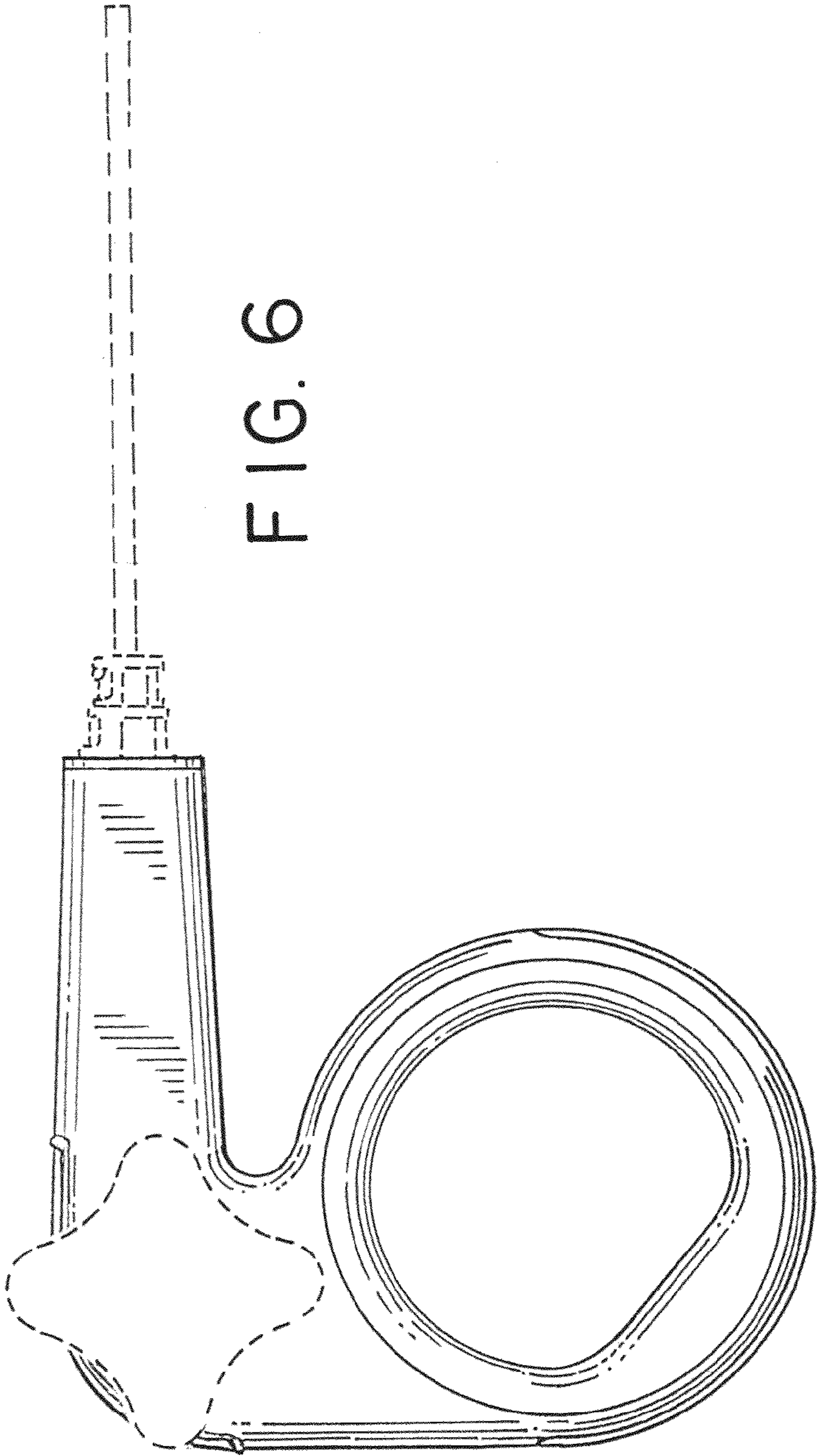


FIG. 6

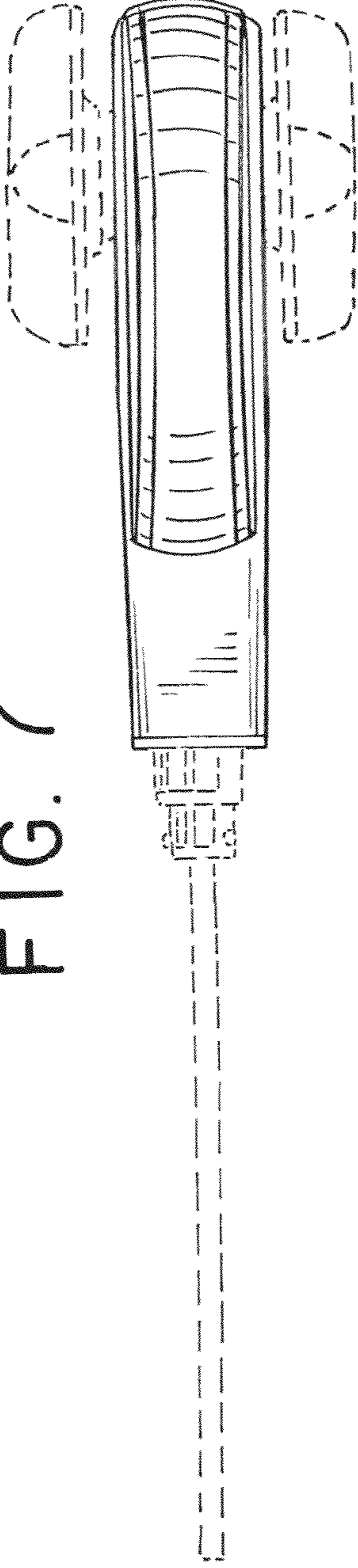


FIG. 7

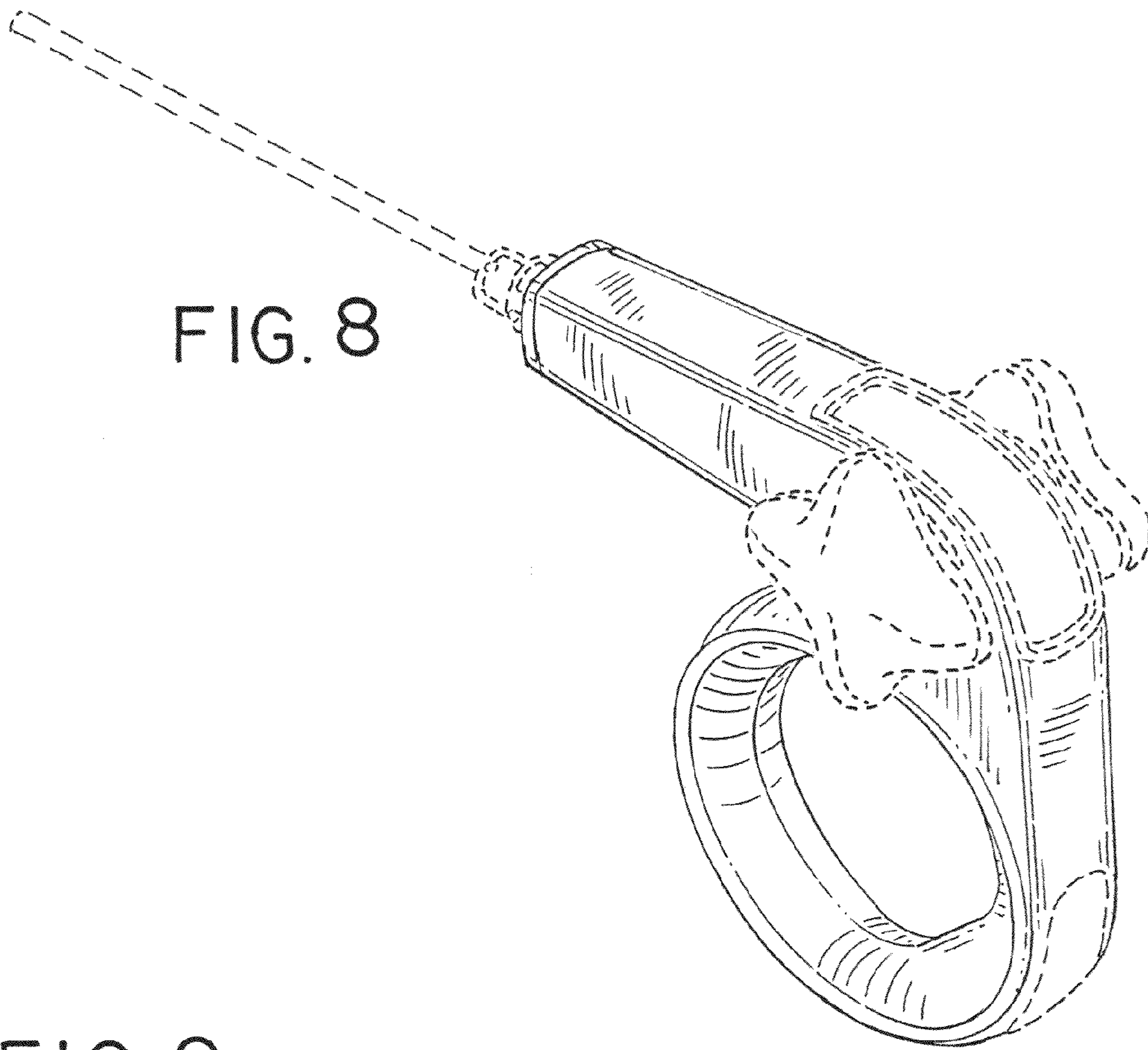


FIG. 8

FIG. 9

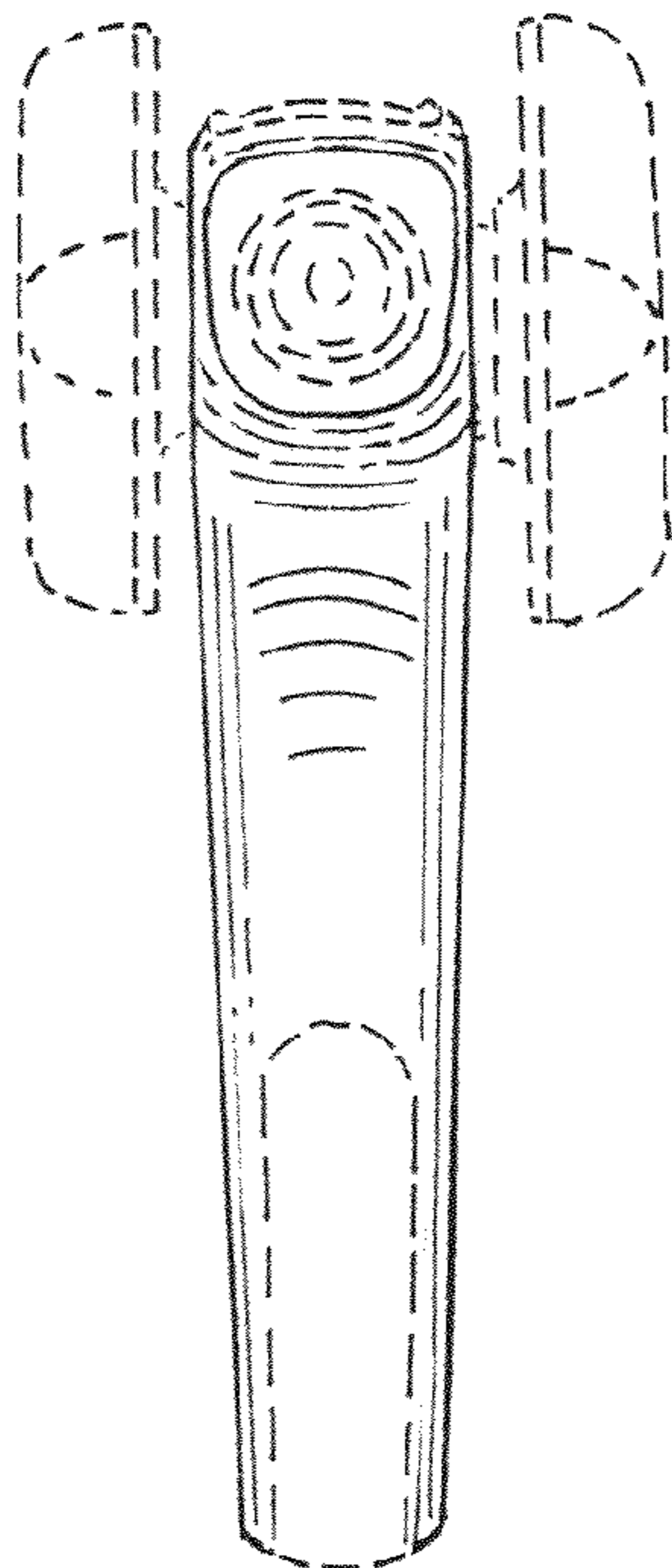
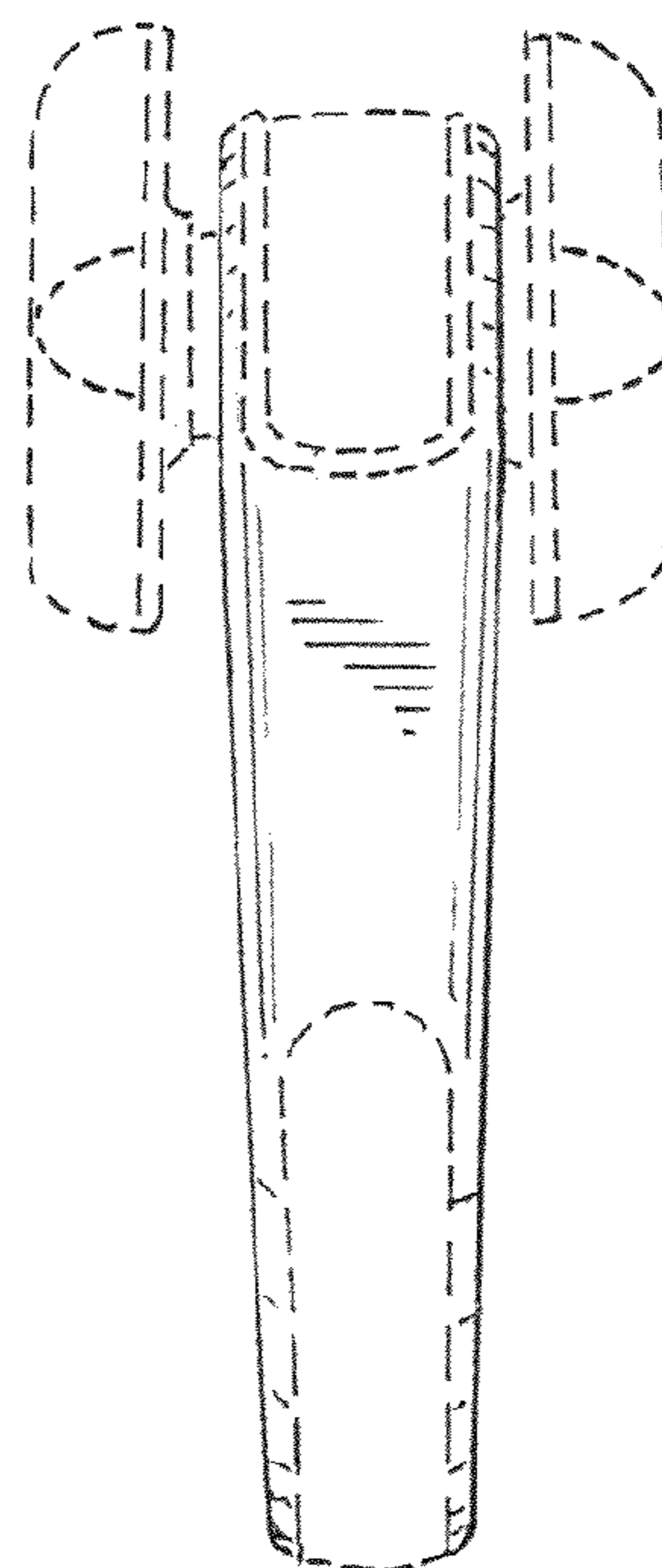
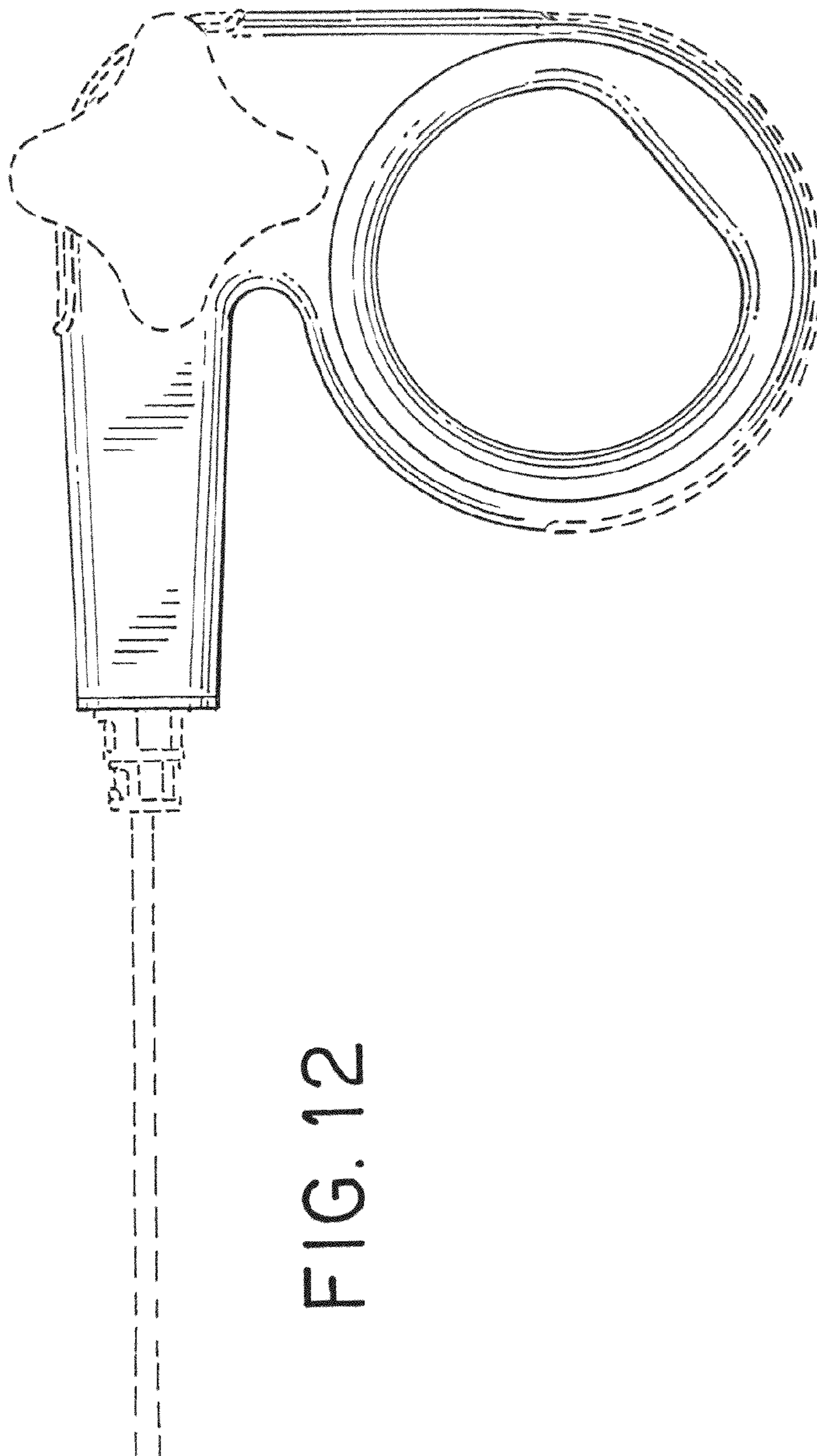
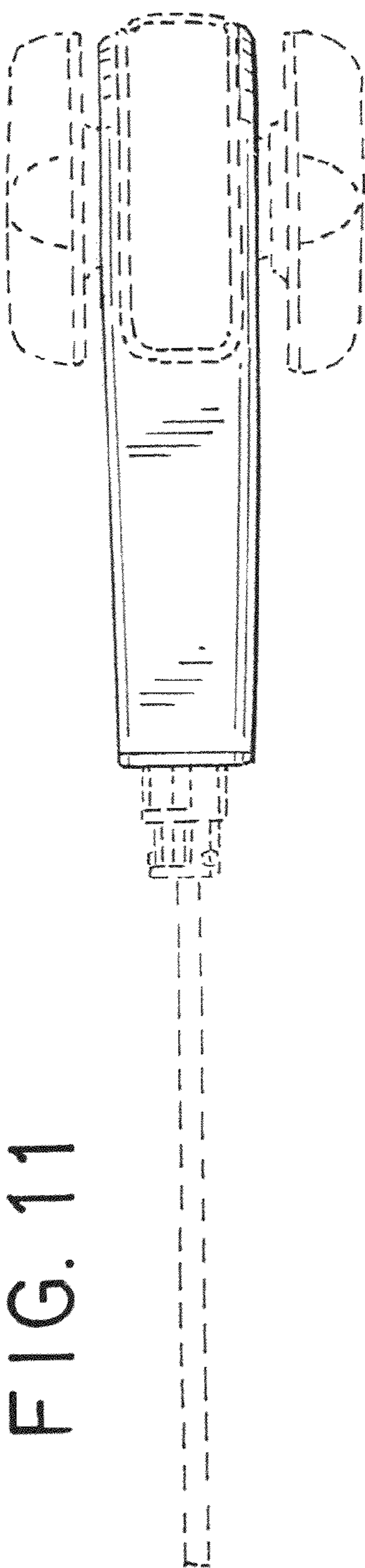


FIG. 10







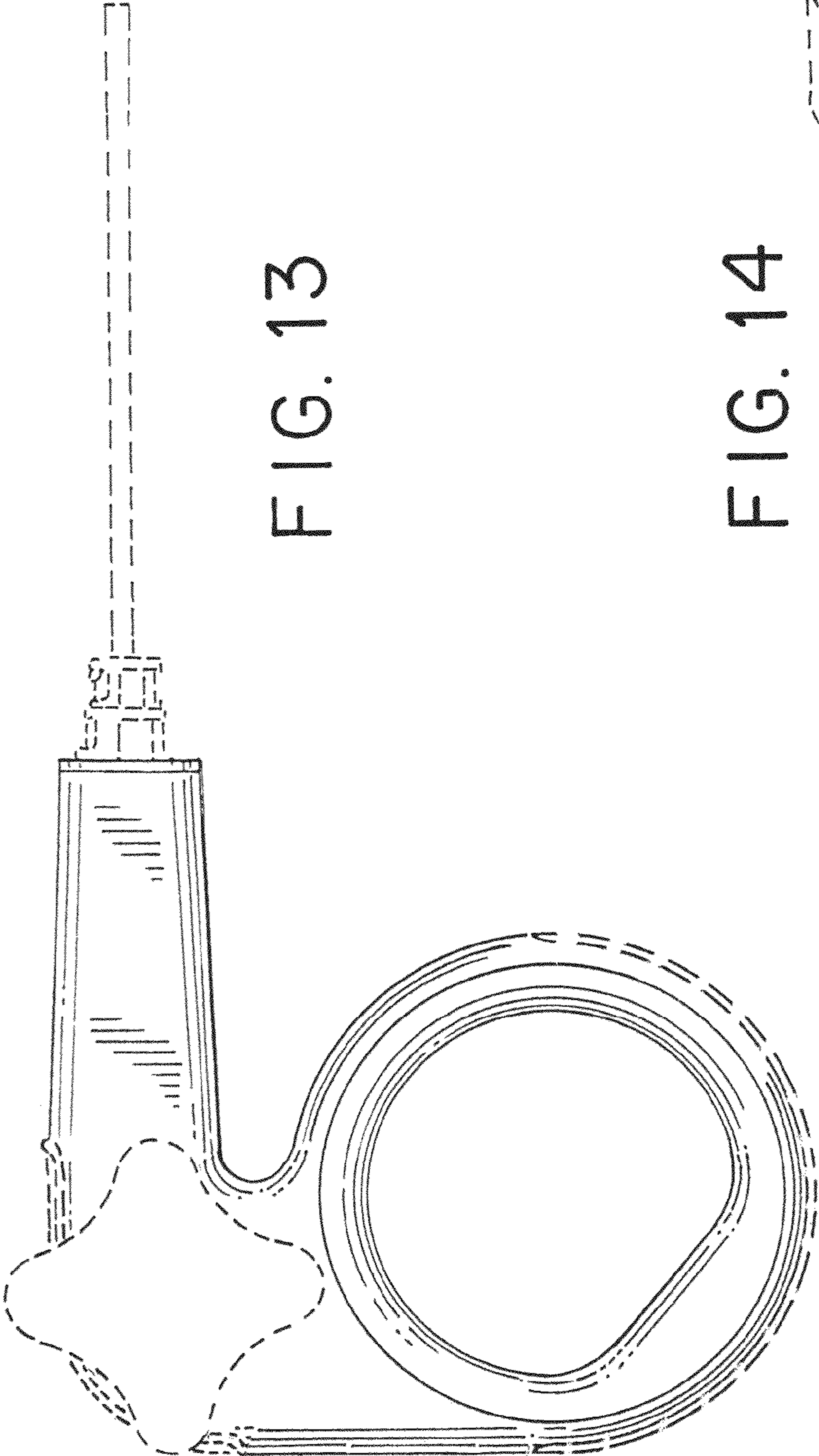


FIG. 13

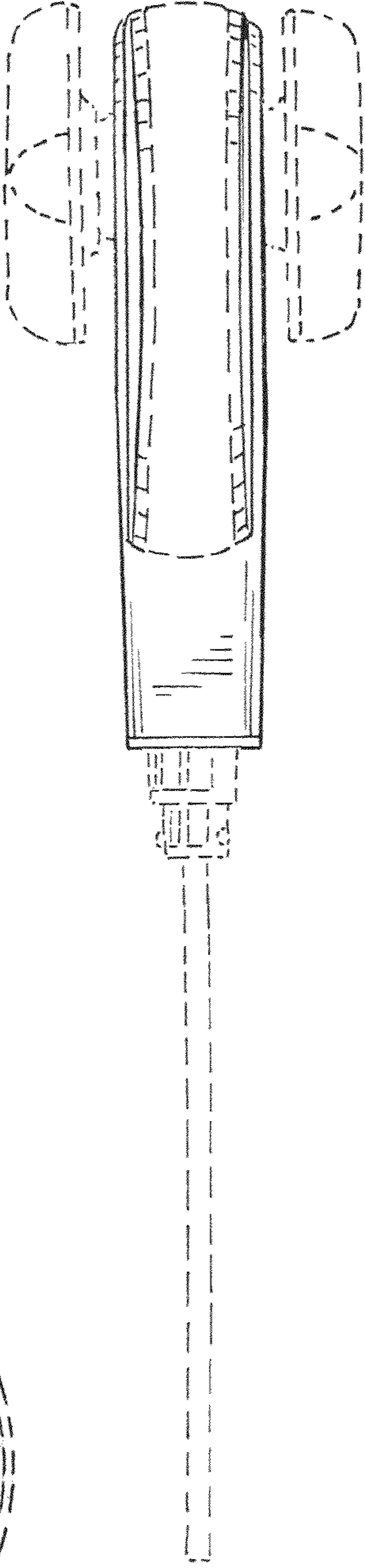


FIG. 14