

US00D736915S

(12) **United States Design Patent**  
**Schultz**

(10) **Patent No.:** **US D736,915 S**

(45) **Date of Patent:** **\*\* Aug. 18, 2015**

(54) **DOUBLE SHIELDED MEDICAL CONNECTOR**

(71) Applicant: **Joseph P. Schultz**, Atlanta, GA (US)

(72) Inventor: **Joseph P. Schultz**, Atlanta, GA (US)

(\*\*) Term: **14 Years**

(21) Appl. No.: **29/480,806**

(22) Filed: **Jan. 29, 2014**

(51) **LOC (10) Cl.** ..... **24-02**

(52) **U.S. Cl.**  
USPC ..... **D24/129**

(58) **Field of Classification Search**  
USPC ..... D24/127–131, 112–114, 133, 186;  
606/181, 185; 604/264, 272, 115, 232,  
604/187, 158, 164.08, 192, 263, 163, 181,  
604/184, 198, 227; 600/101, 139, 143;  
128/200.24, 207.14, 207.15

See application file for complete search history.

(56) **References Cited**

**U.S. PATENT DOCUMENTS**

4,613,329	A *	9/1986	Bodicky	.....	604/158
D327,318	S *	6/1992	Dudar et al.	.....	D24/112
D395,502	S *	6/1998	Deily et al.	.....	D24/112
D431,864	S *	10/2000	Jansen	.....	D24/129
D435,652	S *	12/2000	Nazarifar et al.	.....	D24/129
D457,954	S *	5/2002	Wallace et al.	.....	D24/130
6,673,059	B2 *	1/2004	Guala	.....	604/533
D630,318	S *	1/2011	Goodwin	.....	D24/129
D687,542	S *	8/2013	Esposito	.....	D24/112

D691,261	S *	10/2013	Kawamura	.....	D24/130
D711,530	S *	8/2014	Gleason et al.	.....	D24/112
D714,935	S *	10/2014	Nishioka et al.	.....	D24/130
D717,948	S *	11/2014	Strong et al.	.....	D24/130

\* cited by examiner

*Primary Examiner* — David Muller

(74) *Attorney, Agent, or Firm* — Merchant & Gould

(57) **CLAIM**

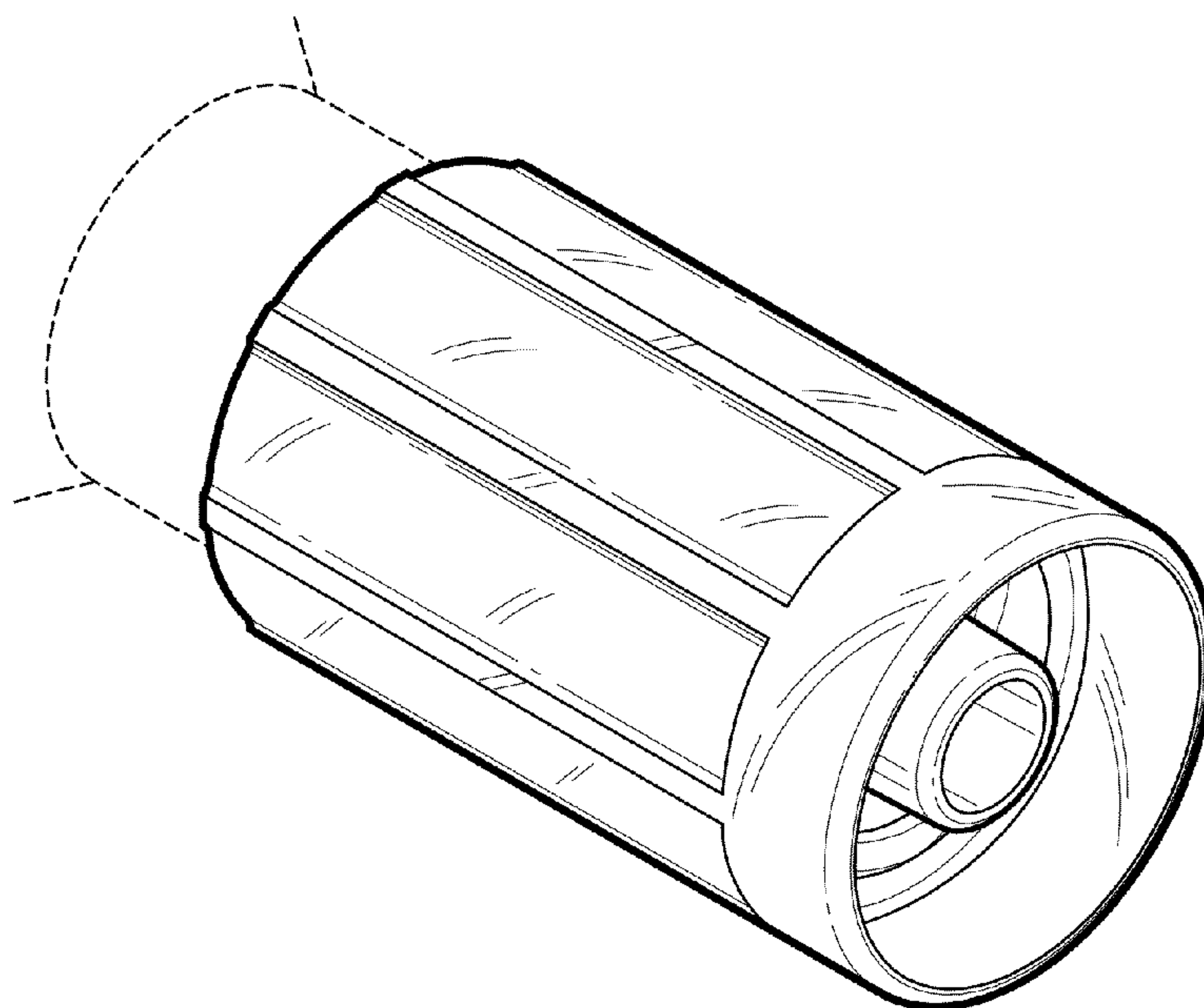
The ornamental design for a double shielded medical connector, as shown and described.

**DESCRIPTION**

FIG. 1 is a perspective view of a double shielded medical connector showing my new design; FIG. 2 is perspective view thereof showing an opposing side; FIG. 3 is a front view thereof, the rear view, right-side view, and left-side view being mirror images; FIG. 4 is a top view thereof; FIG. 5 is a bottom view thereof; FIG. 6 is a sectional view through the section 6-6 of FIG. 5; FIG. 7 is a sectional view through the section 7-7 of FIG. 4; and, FIG. 8 is a partial sectional view through the section 8-8 of FIG. 3 further illustrating the helical structures visible in the bottom view.

The evenly-spaced broken line depiction of environmental structure represents the medical-fluid delivery device with which the design may be associated and forms no part of the claimed design. The underside of my new design contains no ornamental features and is not directly visible when integrated with the medical-fluid delivery device.

**1 Claim, 4 Drawing Sheets**



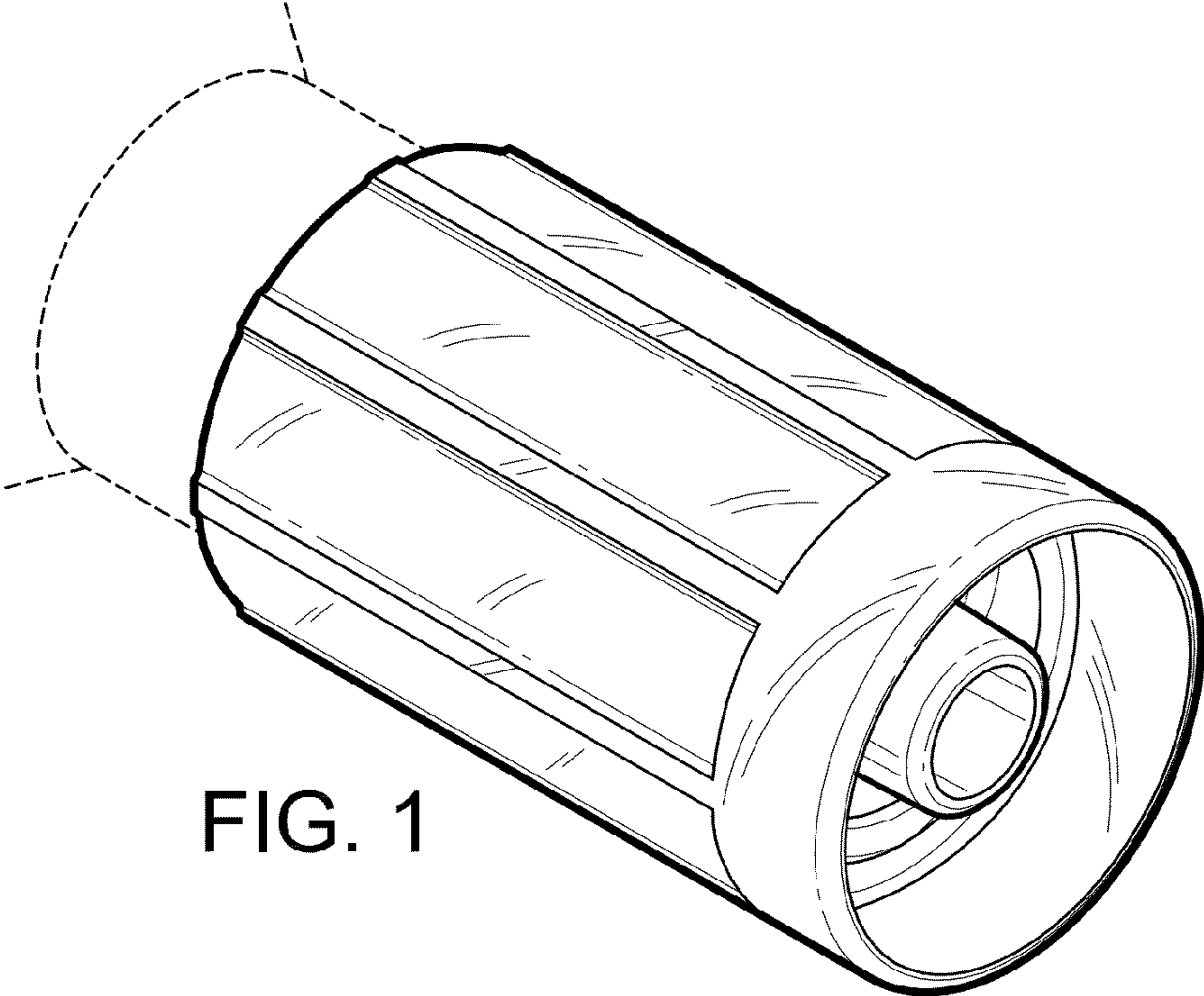


FIG. 1

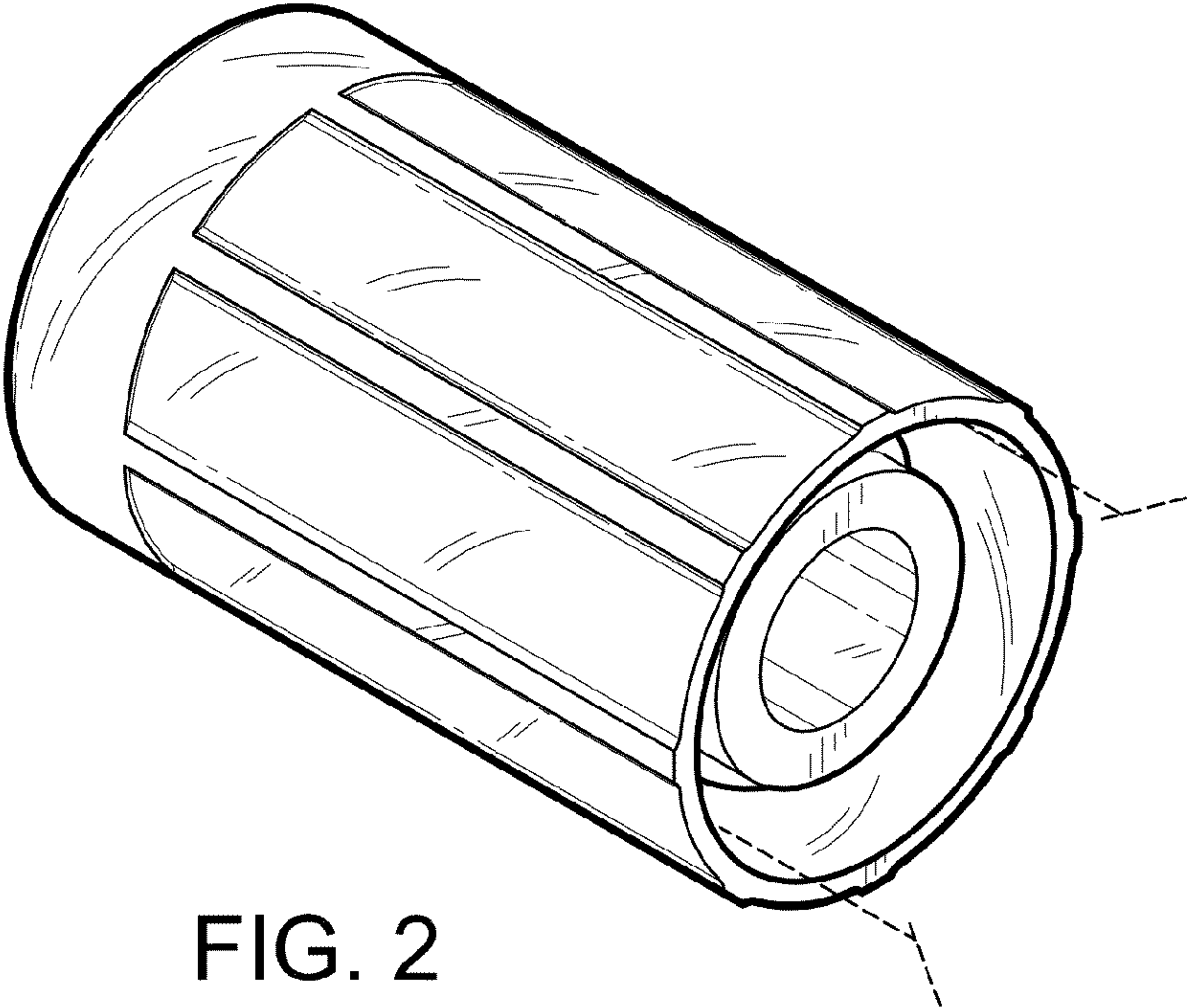


FIG. 2

