



US00D736914S

(12) **United States Design Patent**
Schultz

(10) **Patent No.:** **US D736,914 S**

(45) **Date of Patent:** **** Aug. 18, 2015**

(54) **SHIELDED MEDICAL CONNECTOR**

(71) Applicant: **Joseph P. Schultz**, Atlanta, GA (US)

(72) Inventor: **Joseph P. Schultz**, Atlanta, GA (US)

(**) Term: **14 Years**

(21) Appl. No.: **29/480,780**

(22) Filed: **Jan. 29, 2014**

(51) **LOC (10) Cl.** **24-02**

(52) **U.S. Cl.**
USPC **D24/129**

(58) **Field of Classification Search**

USPC D24/127–131, 112–114, 133, 186;
606/181, 185; 604/264, 272, 115, 232,
604/187, 158, 164.08, 192, 263, 163, 181,
604/184, 198, 227; 600/101, 139, 143;
128/200.24, 207.14, 207.15

See application file for complete search history.

(56) **References Cited**

U.S. PATENT DOCUMENTS

3,987,930	A	*	10/1976	Fuson	220/287
D321,251	S	*	10/1991	Jepson et al.	D24/112
D327,318	S	*	6/1992	Dudar et al.	D24/112
D395,502	S	*	6/1998	Deily et al.	D24/112
D406,643	S	*	3/1999	Niedospial et al.	D24/112
D435,652	S	*	12/2000	Nazarifar et al.	D24/129
D474,839	S	*	5/2003	Francavilla et al.	D24/129
D630,318	S	*	1/2011	Goodwin	D24/129
D630,732	S	*	1/2011	Lev et al.	D24/129
D691,261	S	*	10/2013	Kawamura	D24/130

D711,530	S	*	8/2014	Gleason et al.	D24/112
D714,935	S	*	10/2014	Nishioka et al.	D24/130
D717,948	S	*	11/2014	Strong et al.	D24/130

* cited by examiner

Primary Examiner — David Muller

(74) *Attorney, Agent, or Firm* — Merchant & Gould

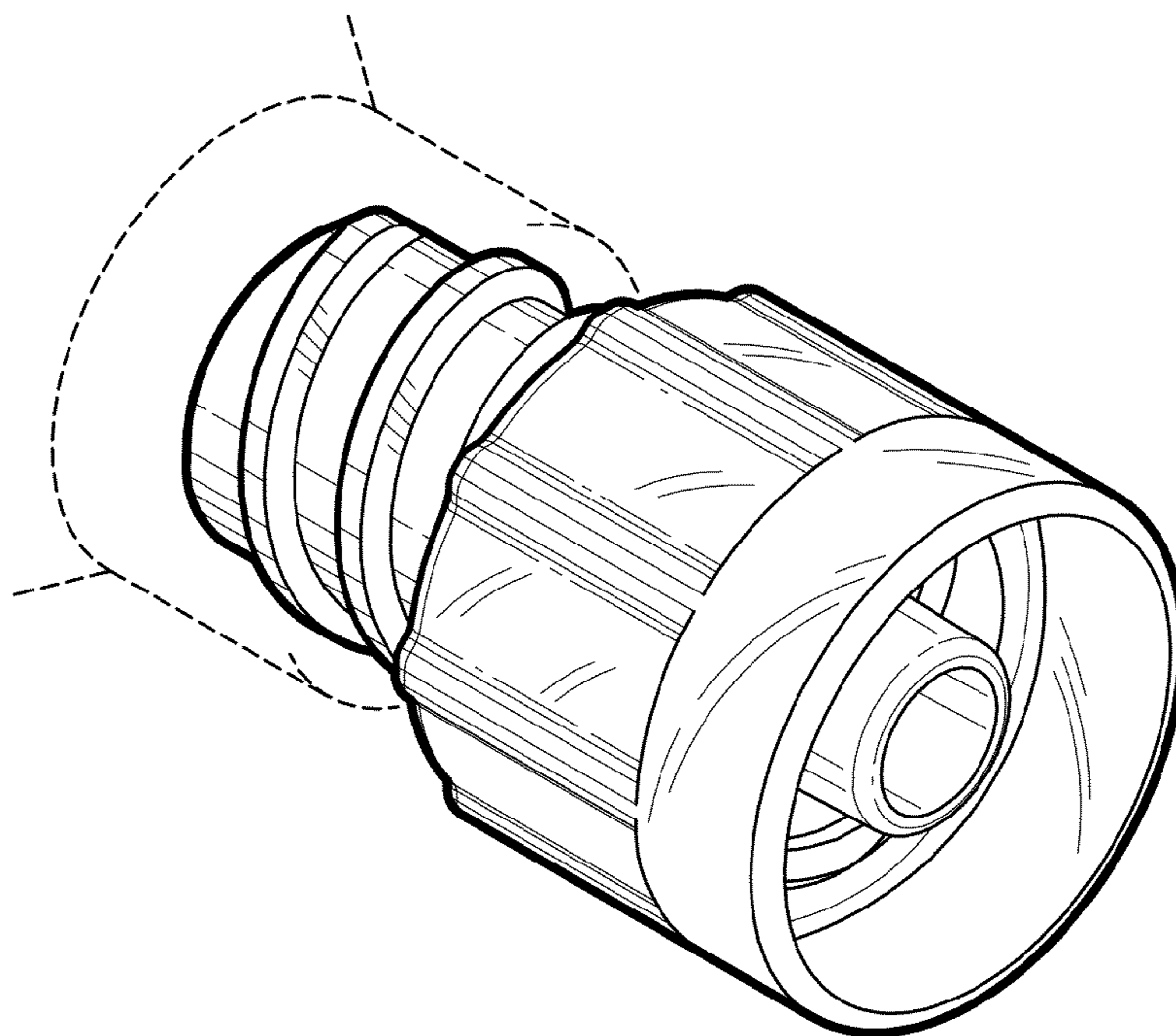
(57) **CLAIM**

The ornamental design for a shielded medical connector, as shown and described.

DESCRIPTION

FIG. 1 is a perspective view of a shielded medical connector showing my new design;
 FIG. 2 is perspective view thereof showing an opposing side;
 FIG. 3 is a front view thereof, the rear view being a mirror image;
 FIG. 4 is a right-side view thereof, the left-side view being a mirror image;
 FIG. 5 is a top view thereof;
 FIG. 6 is a bottom view thereof;
 FIG. 7 is a sectional view through the section 7-7 of FIG. 5; and,
 FIG. 8 is a sectional view through the section 8-8 of FIG. 6.
 The evenly-spaced broken line depiction of environmental structure represents the medical-fluid delivery device with which the design may be associated and forms no part of the claimed design. The underside of my new design contains no ornamental features and is not directly visible when integrated with the medical-fluid delivery device.

1 Claim, 4 Drawing Sheets



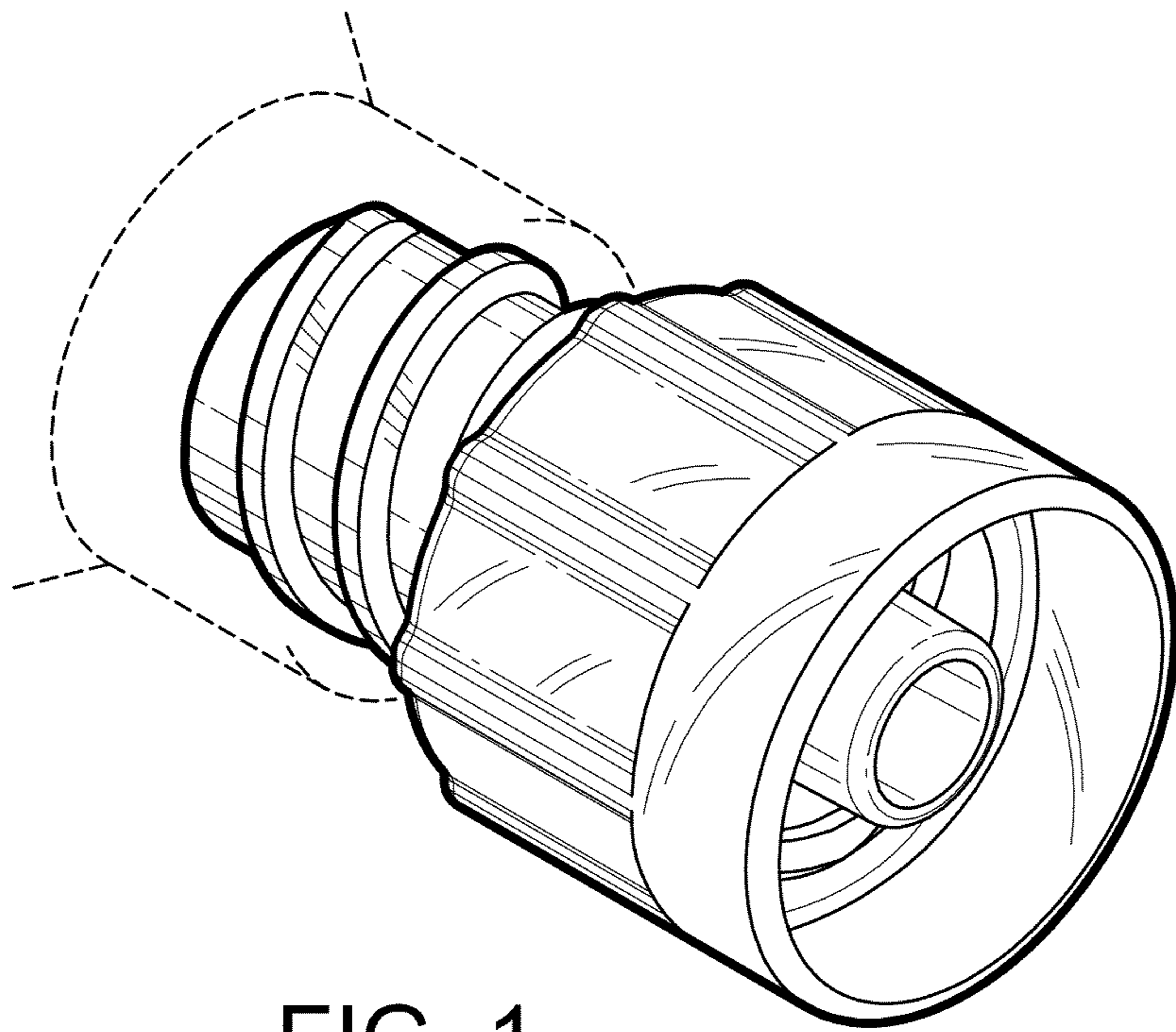


FIG. 1

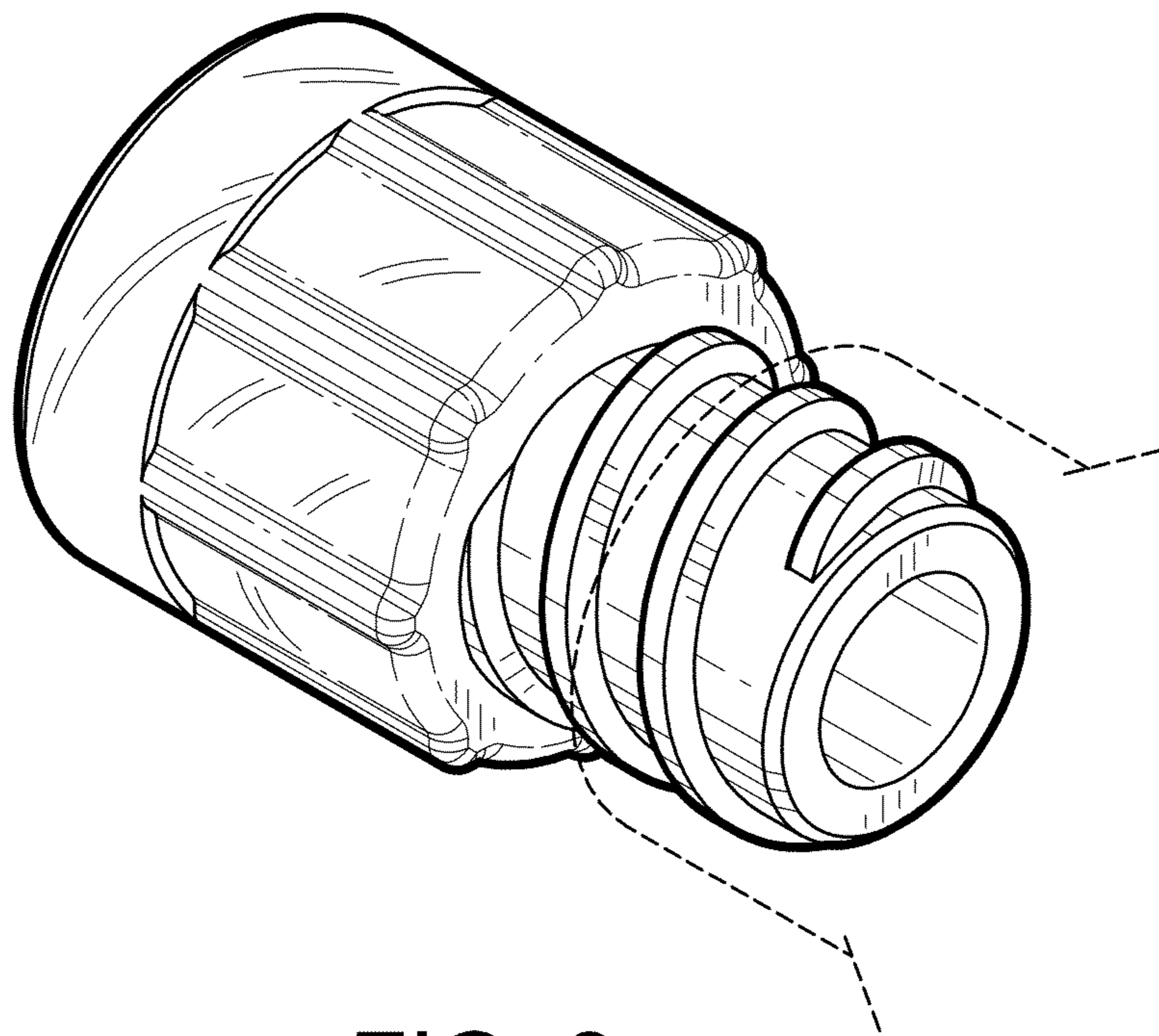


FIG. 2

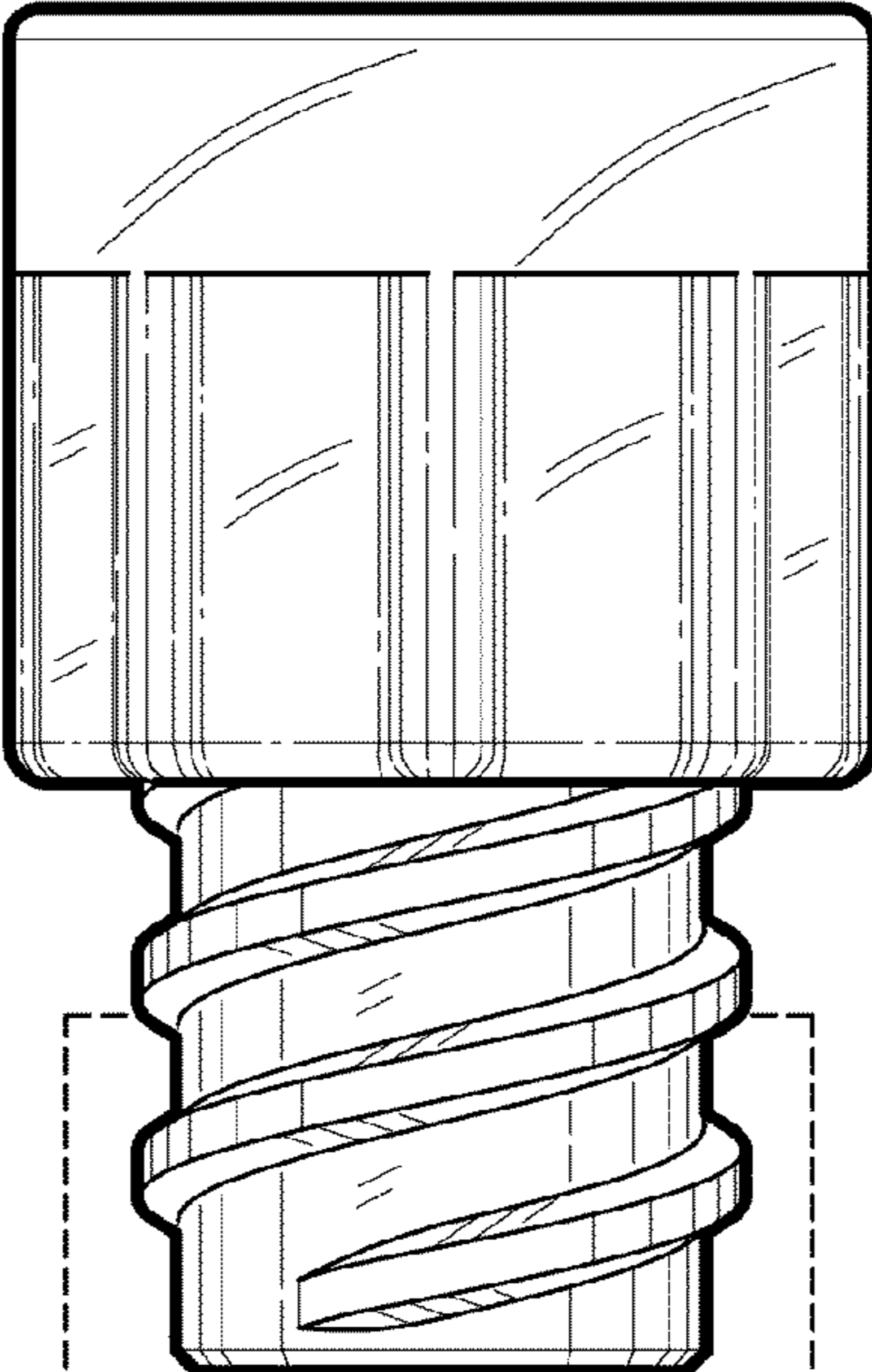


FIG. 3

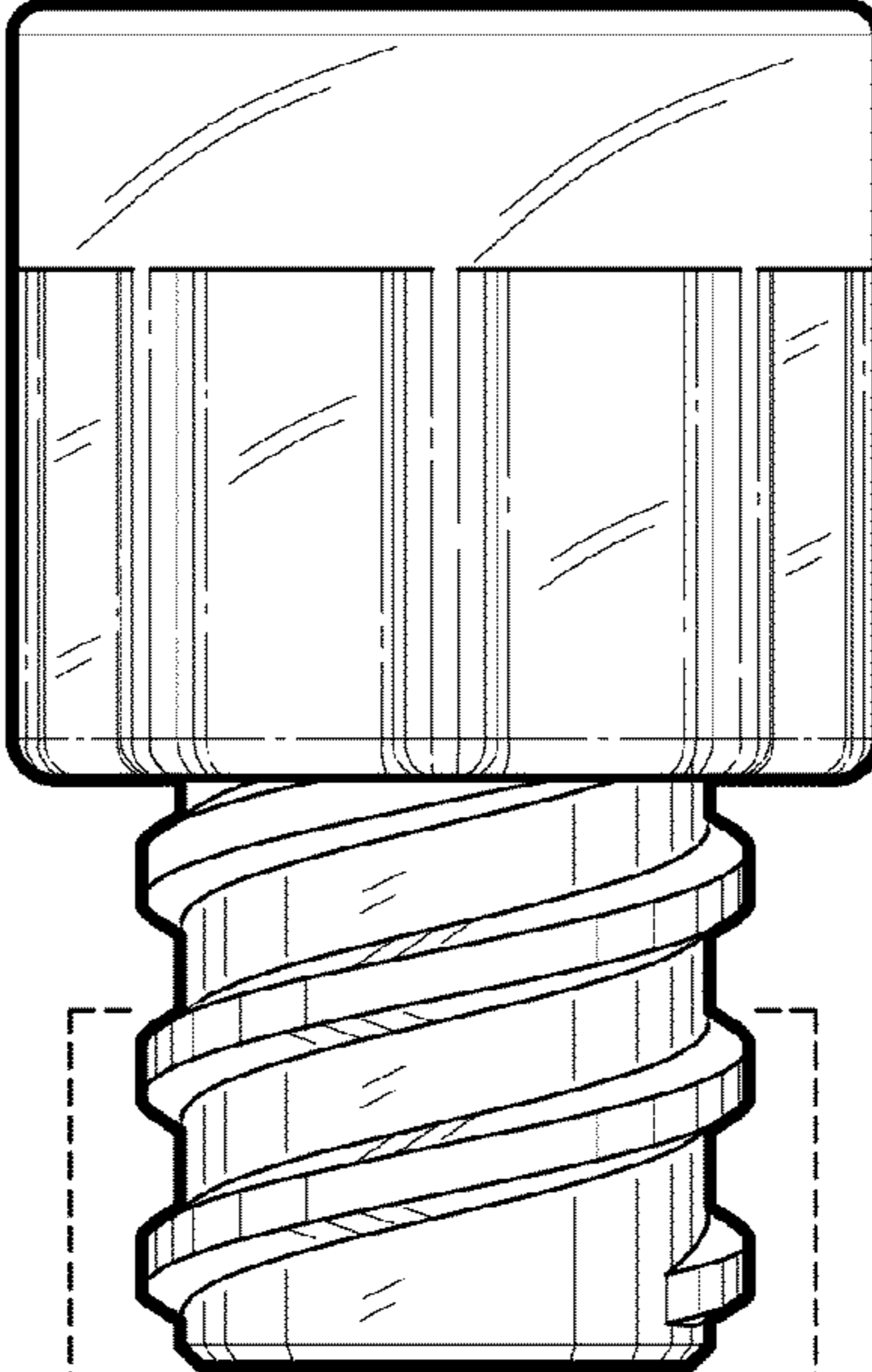


FIG. 4

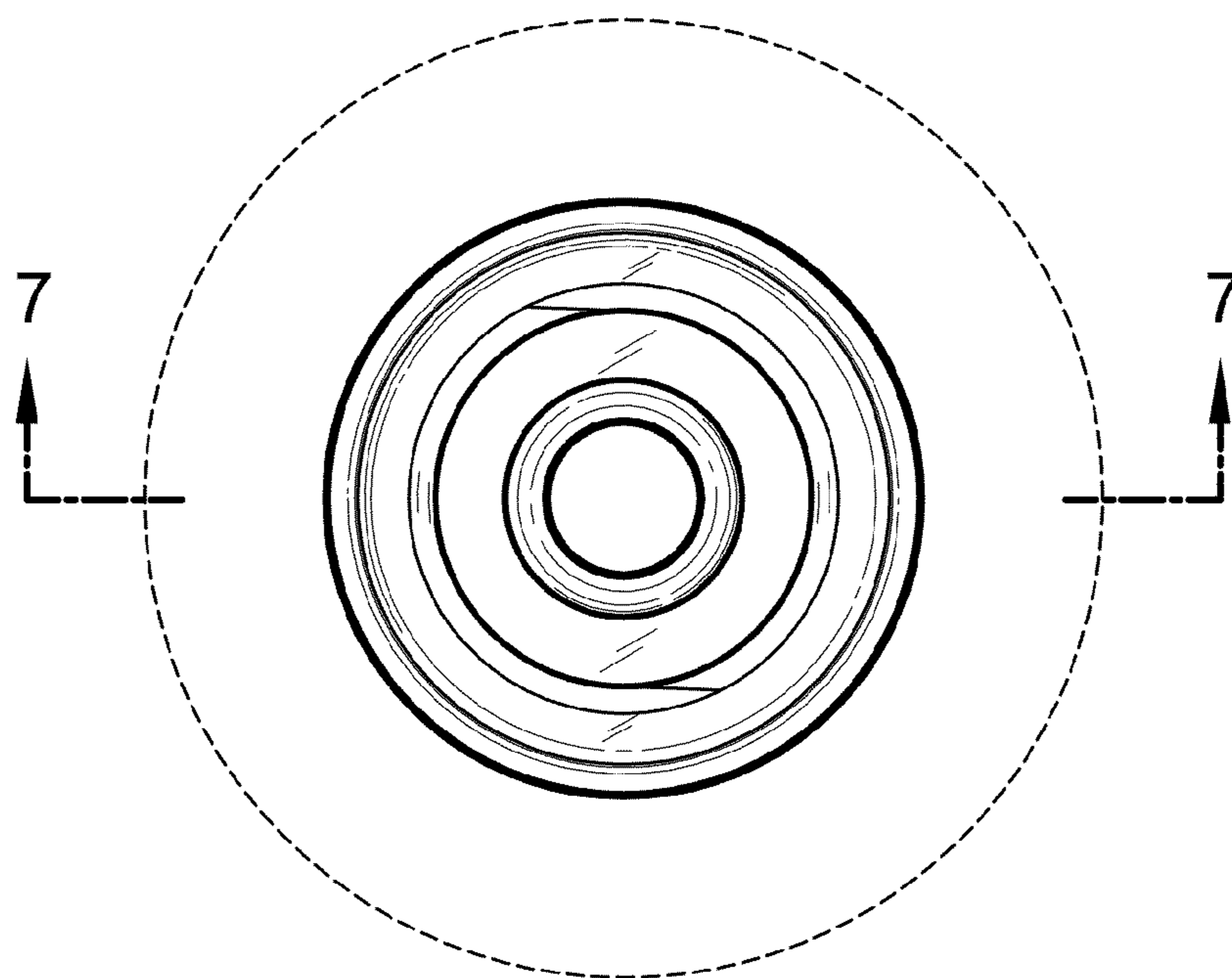


FIG. 5

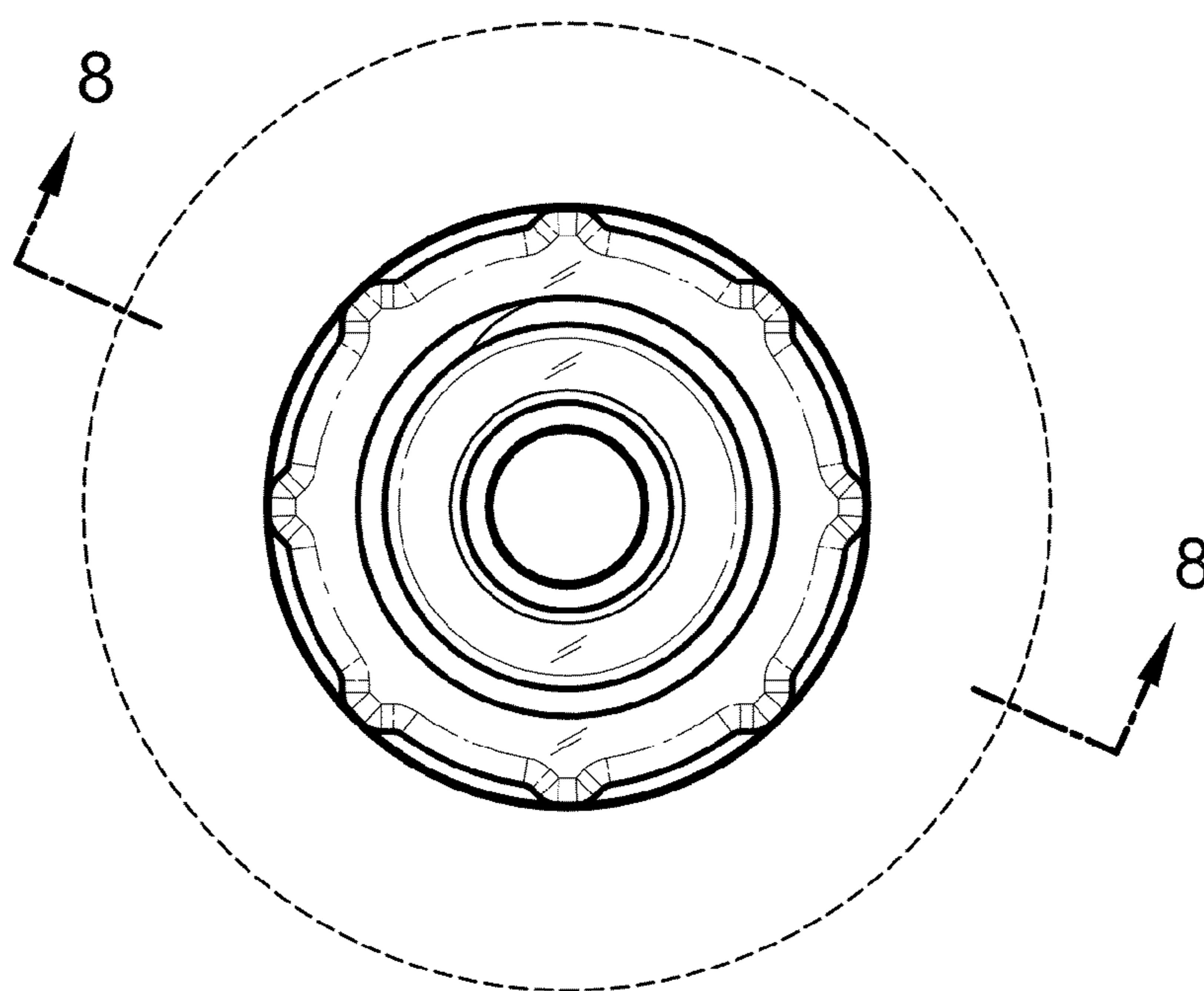


FIG. 6

