



US00D736913S

(12) **United States Design Patent**
Kusunoki et al.

(10) **Patent No.:** **US D736,913 S**

(45) **Date of Patent:** **** Aug. 18, 2015**

(54) **FLANGE PART FOR MEDICAL IRRIGATION TUBE**

DESCRIPTION

(71) Applicants: **OTSUKA PHARMACEUTICAL FACTORY, INC.**, Tokushima (JP); **HANUMAT, LTD.**, Hyogo (JP)

(72) Inventors: **Masato Kusunoki**, Hyogo (JP); **Takanori Inoue**, Tokushima (JP)

(73) Assignees: **OTSUKA PHARMACEUTICAL FACTORY, INC.**, Tokushima (JP); **HANUMAT, LTD.**, Hyogo (JP)

(**) Term: **14 Years**

(21) Appl. No.: **29/457,582**

(22) Filed: **Jun. 11, 2013**

(30) **Foreign Application Priority Data**

Dec. 13, 2012 (JP) 2012-030481

(51) **LOC (10) Cl.** **24-02**

(52) **U.S. Cl.**
USPC **D24/127**

(58) **Field of Classification Search**
USPC D24/110.6, 112-118, 120, 127, 130,
D24/131, 121; 606/107, 162; 604/220, 232,
604/218, 187, 195, 227
See application file for complete search history.

(56) **References Cited**

U.S. PATENT DOCUMENTS

D293,130 S * 12/1987 Ashie et al. D24/128
D311,954 S * 11/1990 Kamen D24/121

(Continued)

Primary Examiner — Ian Simmons

Assistant Examiner — Samantha Q Lawrence

(74) *Attorney, Agent, or Firm* — Kenneth H. Sonnenfeld;
Margaret B. Brivanlou; King & Spalding LLP

(57) **CLAIM**

The ornamental design for a flange part for medical irrigation tube, as shown and described.

FIG. 1 is a front view of a flange part for medical irrigation tube.

FIG. 2 is a rear view of the flange part for medical irrigation tube.

FIG. 3 is a top plan view of the flange part for medical irrigation tube.

FIG. 4 is a bottom plan view of the flange part for medical irrigation tube.

FIG. 5 is a left side view of the flange part for medical irrigation tube.

FIG. 6 is a right side view of the flange part for medical irrigation tube.

FIG. 7 is a perspective view of the flange part for medical irrigation tube.

FIG. 8 is an enlarged front view of the flange part for medical irrigation tube, the rear view being identical thereto.

FIG. 9 is an enlarged top plan view of the flange part for medical irrigation tube.

FIG. 10 is an enlarged bottom plan view of the flange part for medical irrigation tube.

FIG. 11 is an enlarged left side view of the flange part for medical irrigation tube, the right side view being identical thereto.

FIG. 12 is an enlarged perspective view of the flange part for medical irrigation tube.

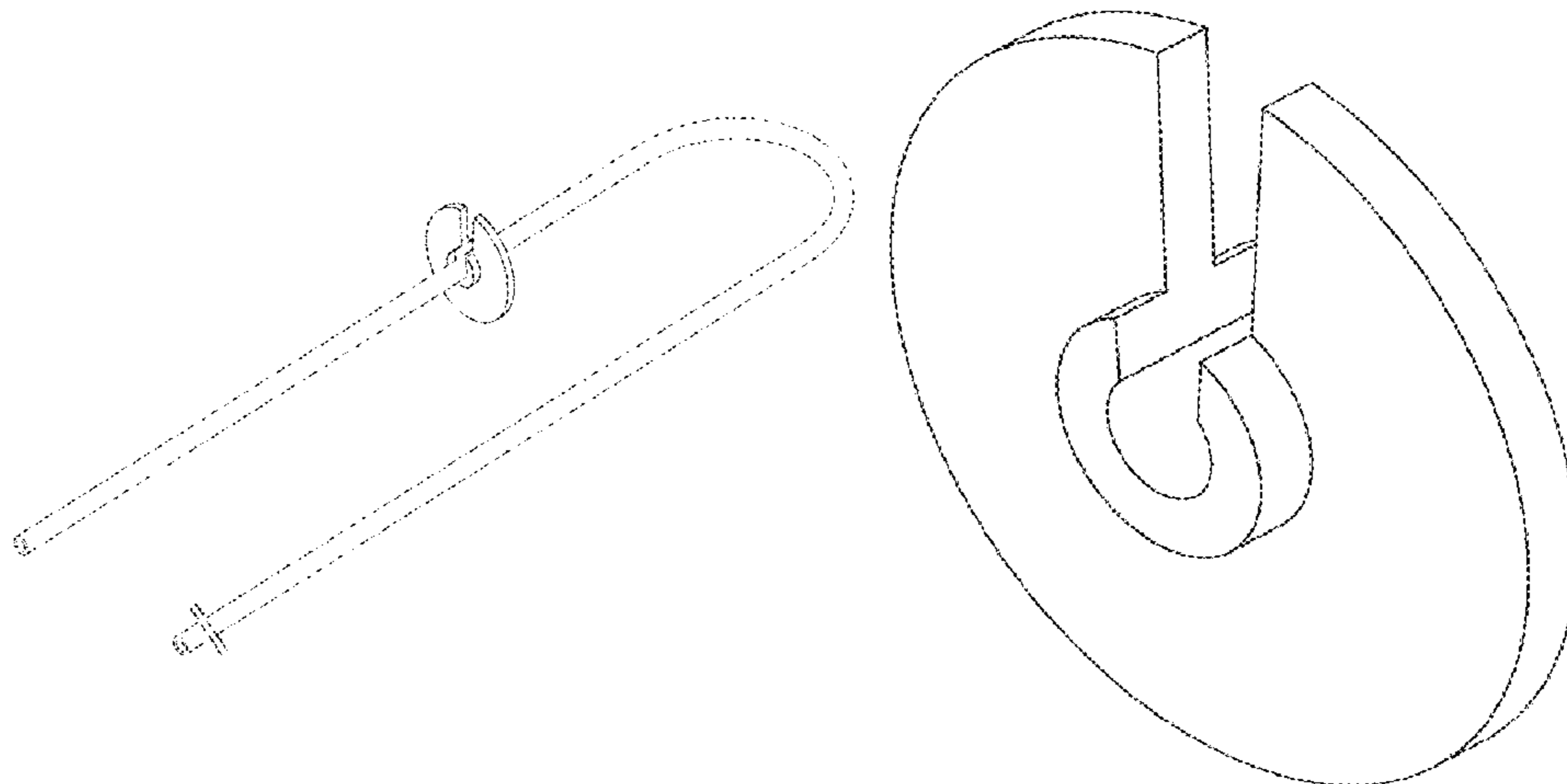
FIG. 13 is a perspective view of the flange part for medical irrigation tube shown in an environment of use; and,

FIG. 14 is a second perspective view of the flange part for medical irrigation tube shown in an environment of use.

The broken lines in FIGS. 1-14 illustrate environmental subject matter only and form no part of the claimed design.

The part shown by the solid line (flange part) is the article sought for a design registration. The flange part is a component of a medical irrigation tube and trocar system for use in endoscopic surgery. The flange part restricts insertion of the medical irrigation tube, so as to provide a constant length of the inserted tube, by abutting against the top surface of the sleeve of the trocar system when the tube is inserted into the sleeve.

1 Claim, 14 Drawing Sheets



(56)

References Cited

U.S. PATENT DOCUMENTS

D375,450 S * 11/1996 Bidwell et al. D8/356
D382,958 S * 8/1997 Wolff D24/130
D383,968 S * 9/1997 Bidwell et al. D8/356
D391,838 S * 3/1998 Bidwell et al. D8/356

D397,790 S * 9/1998 Naganuma D24/130
D434,850 S * 12/2000 Balestracci D24/130
D581,527 S * 11/2008 Jansen D24/130
D617,894 S * 6/2010 Wright D24/121
D700,970 S * 3/2014 Kim D24/187
D704,828 S * 5/2014 Lin D24/127
2013/0144220 A1 * 6/2013 Cleathero et al. 604/218

* cited by examiner

FIG. 1

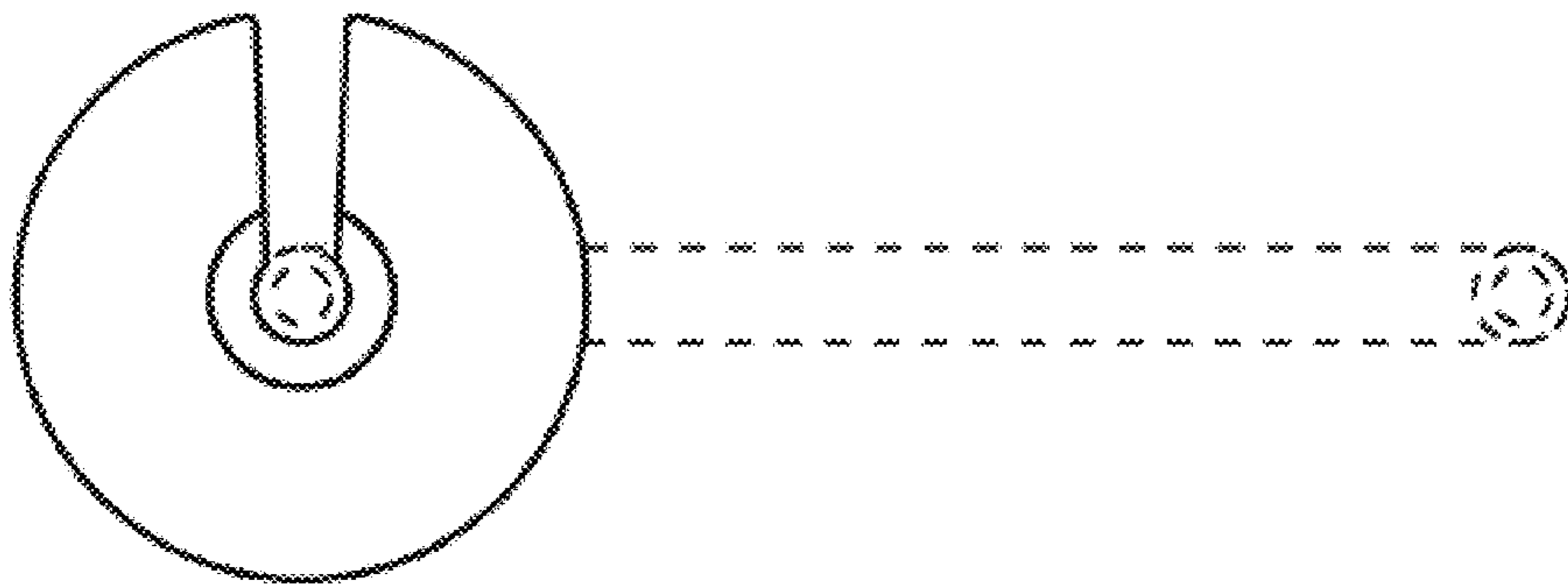


FIG. 2

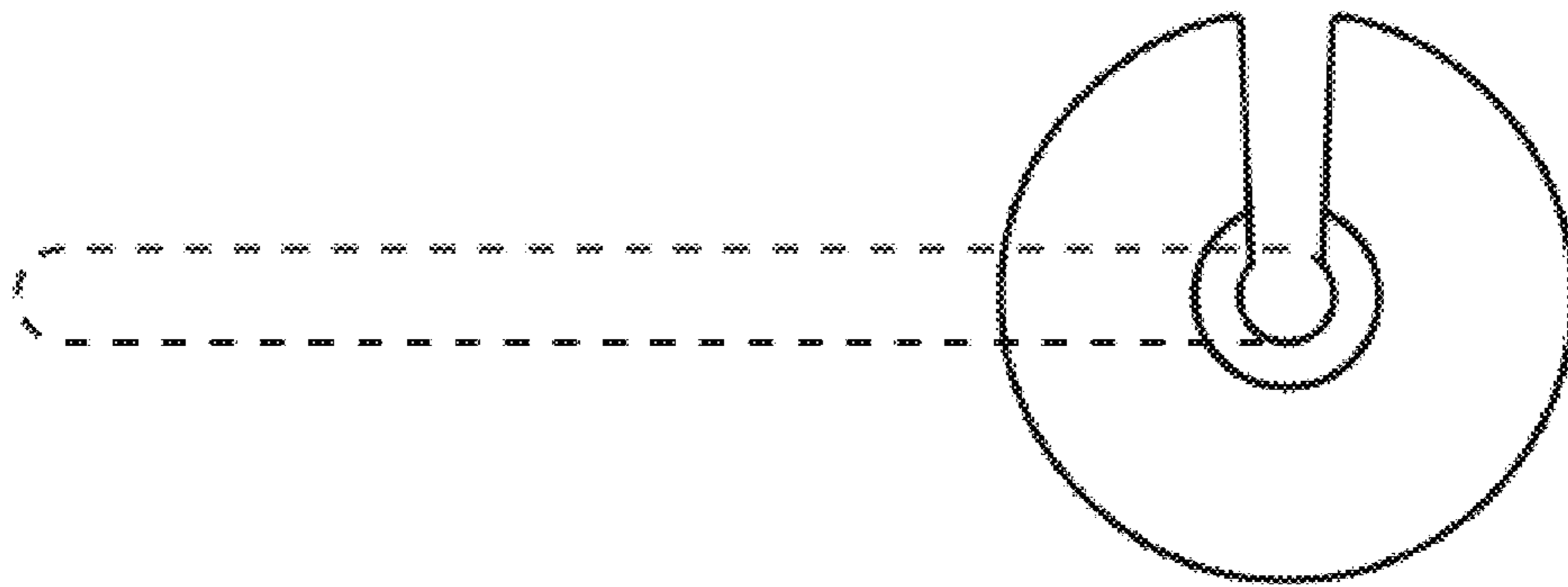


FIG. 3

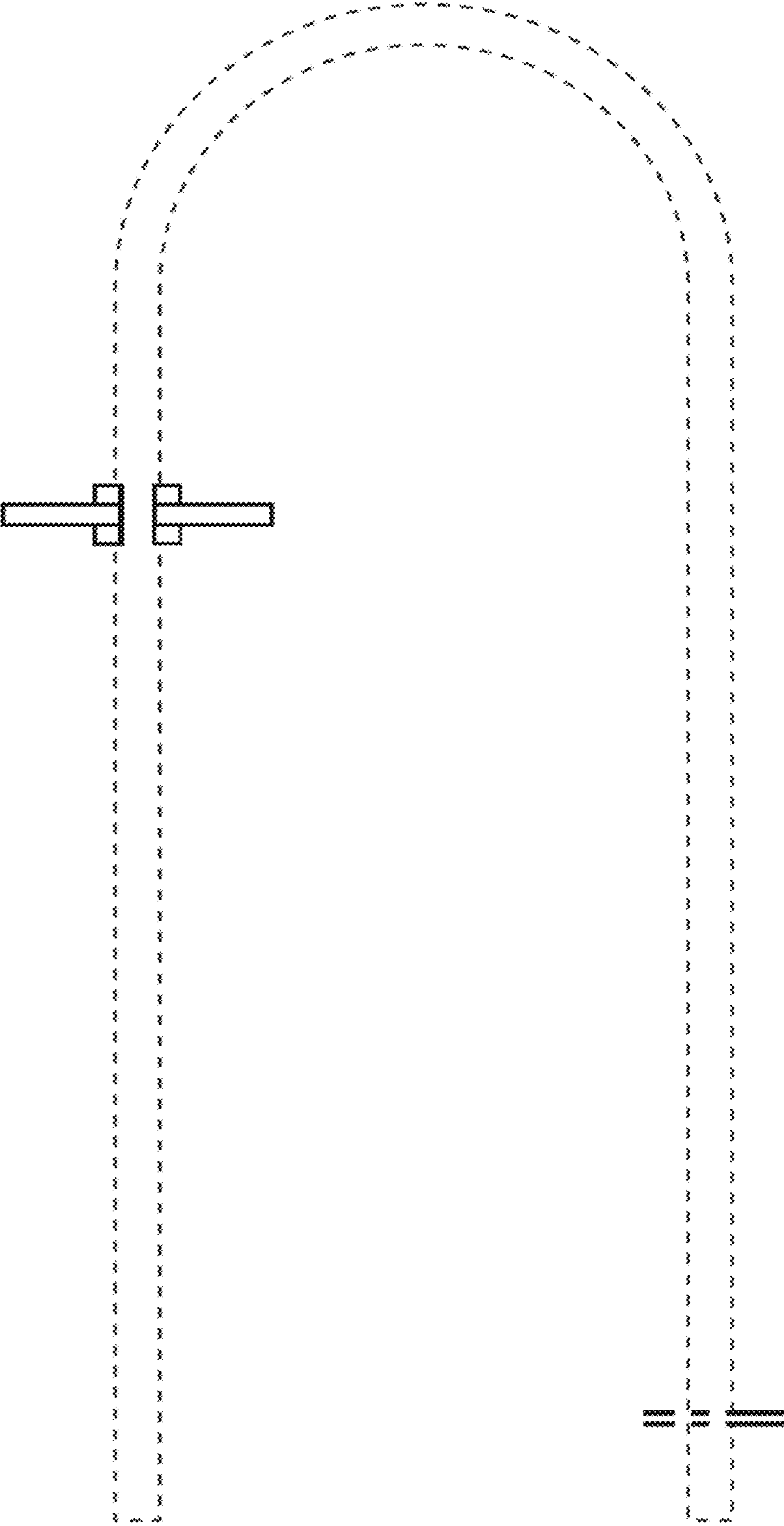


FIG. 4

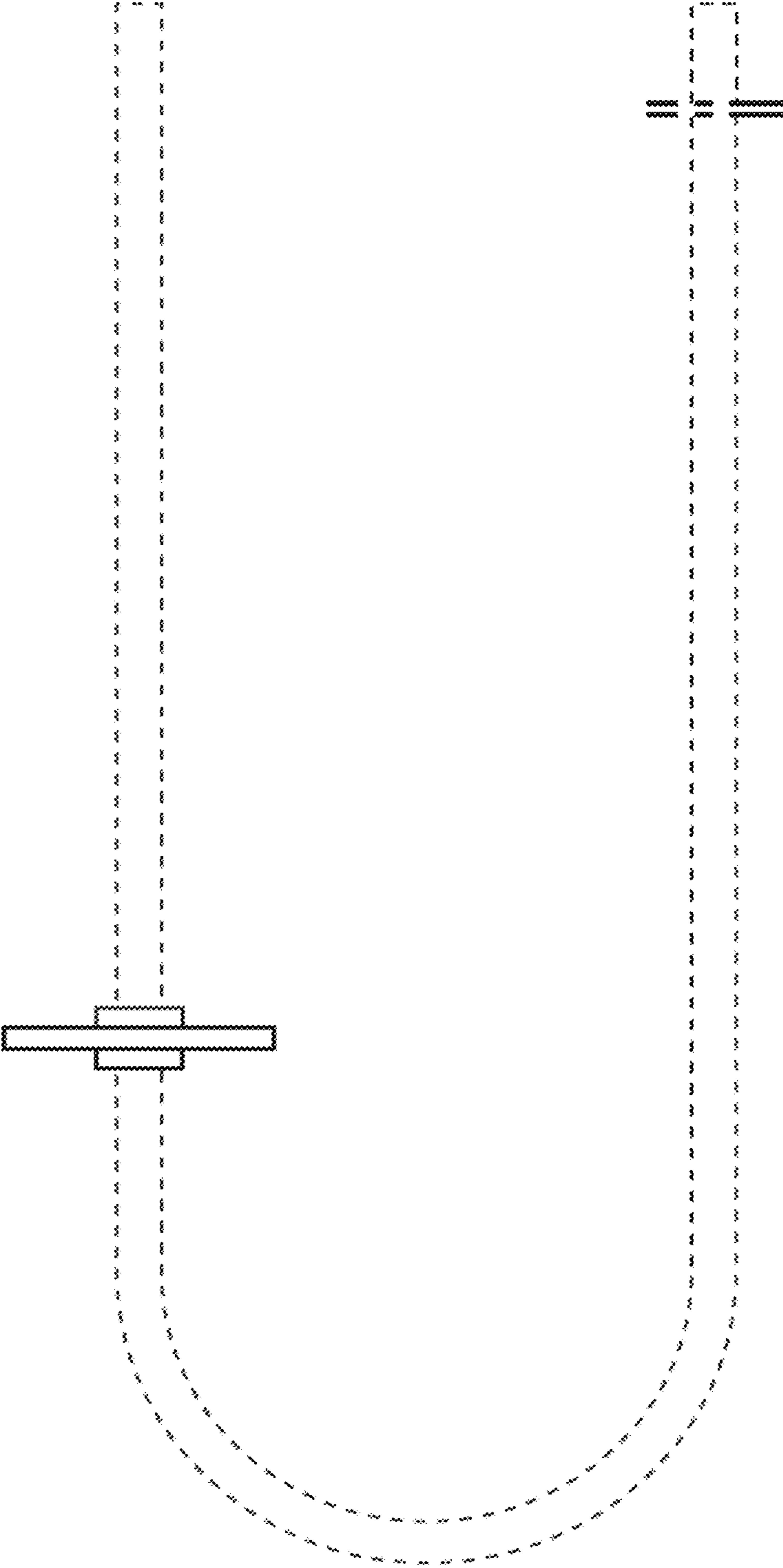


FIG. 5

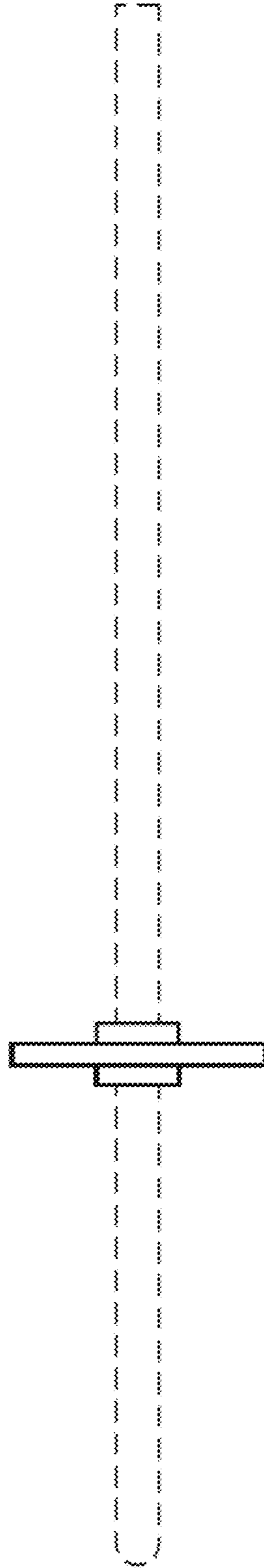


FIG. 6

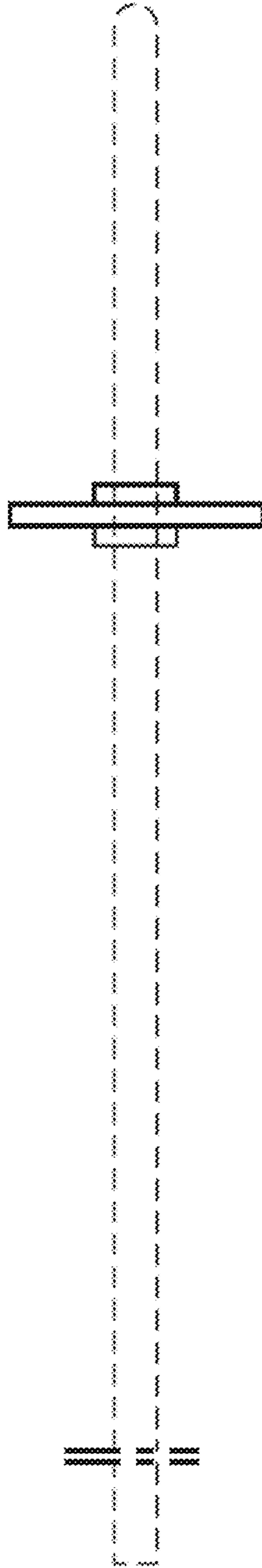


FIG. 7

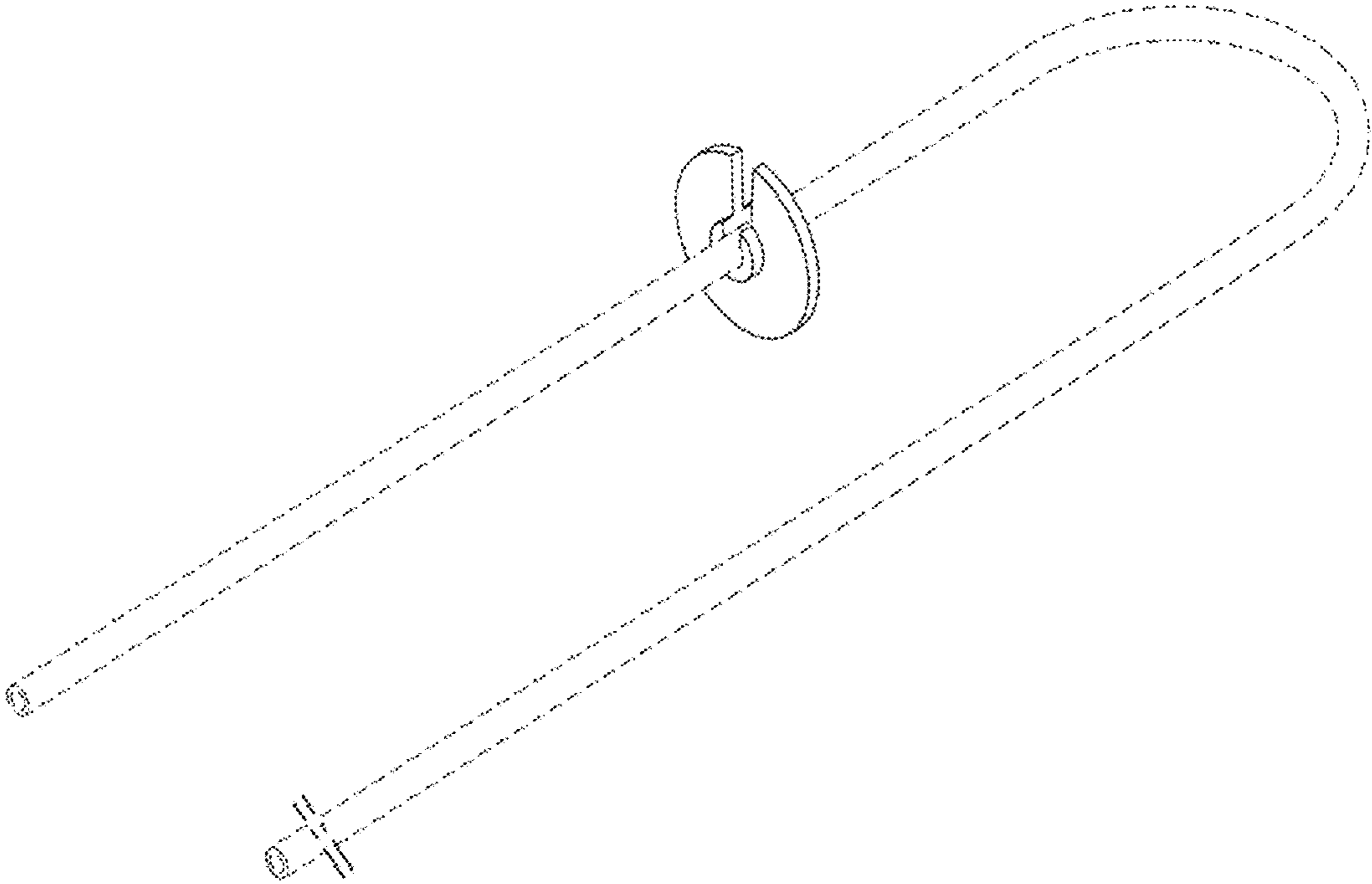


FIG. 8

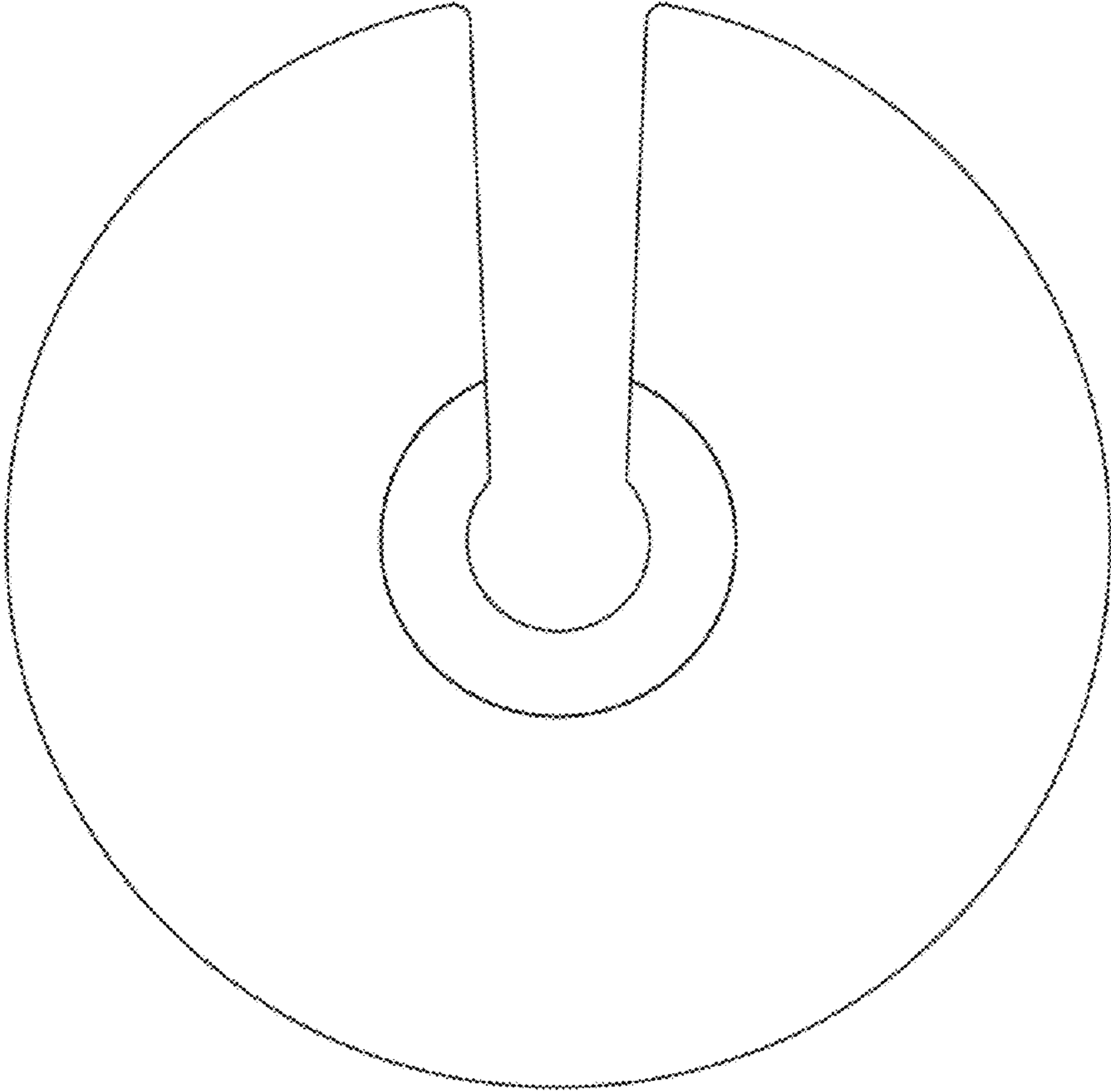


FIG. 9

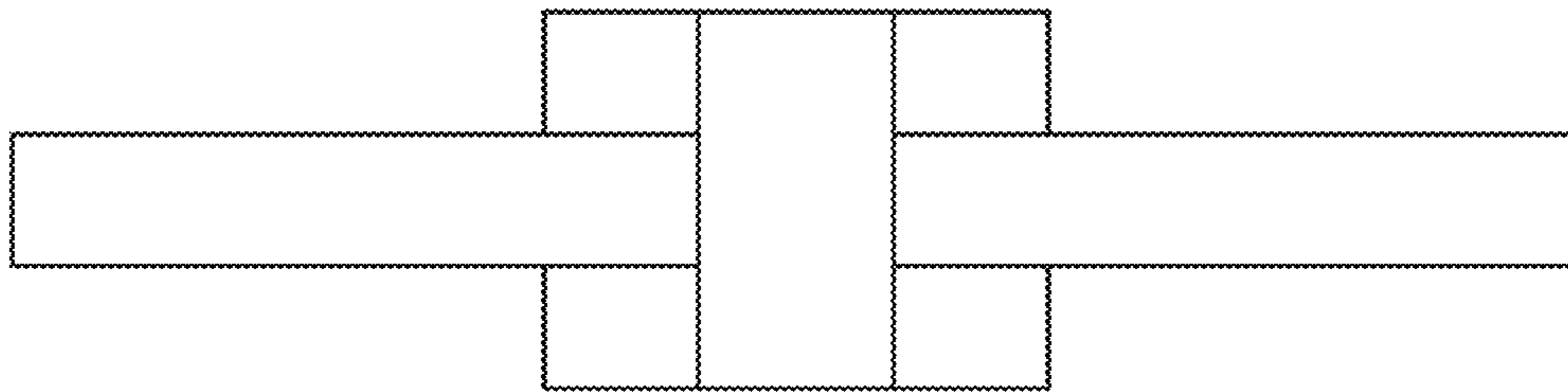


FIG. 10

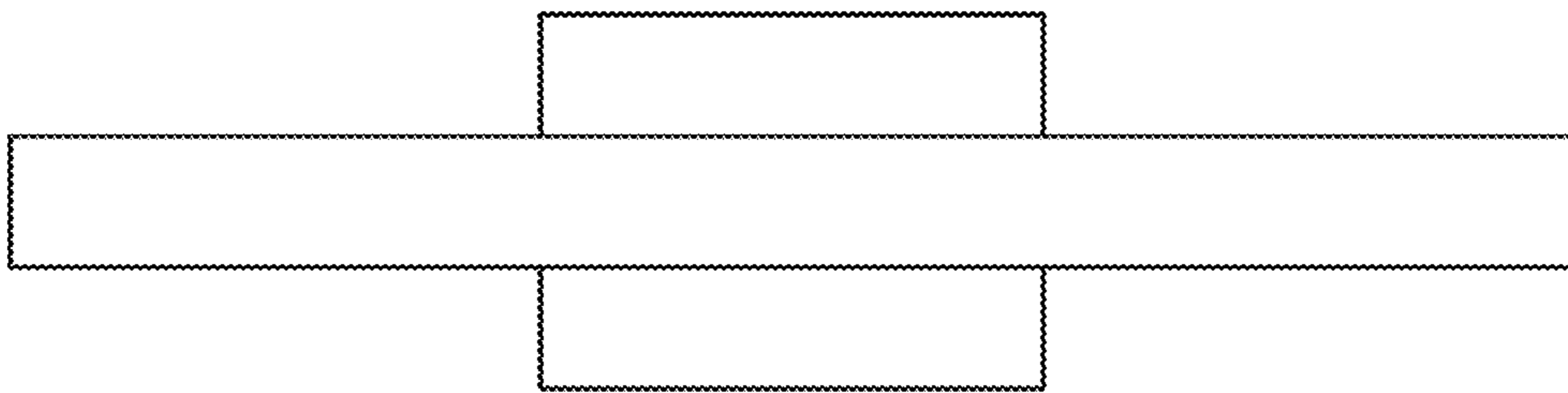


FIG. 11

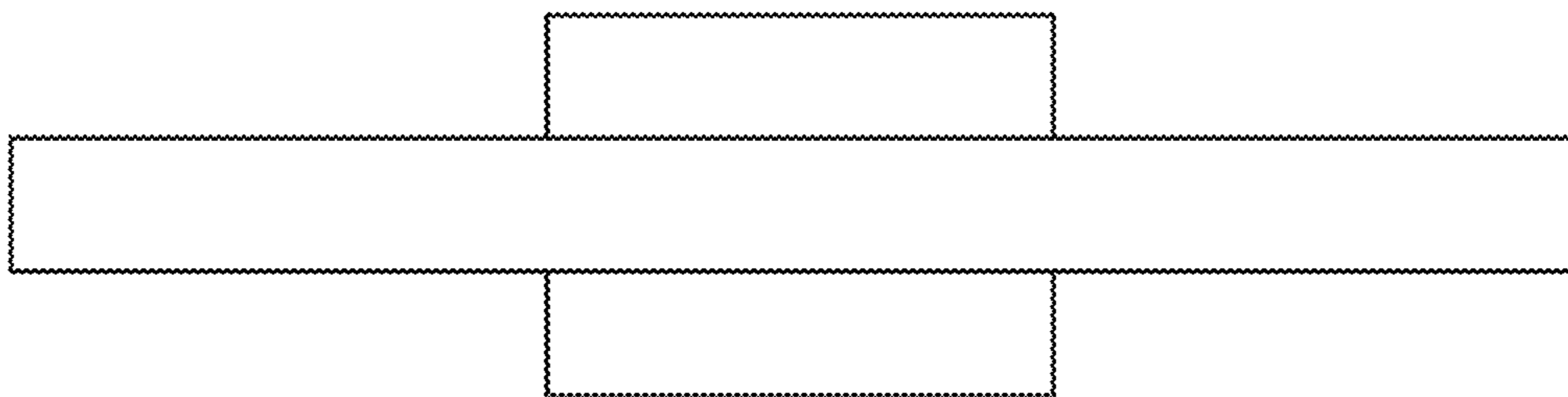


FIG. 12

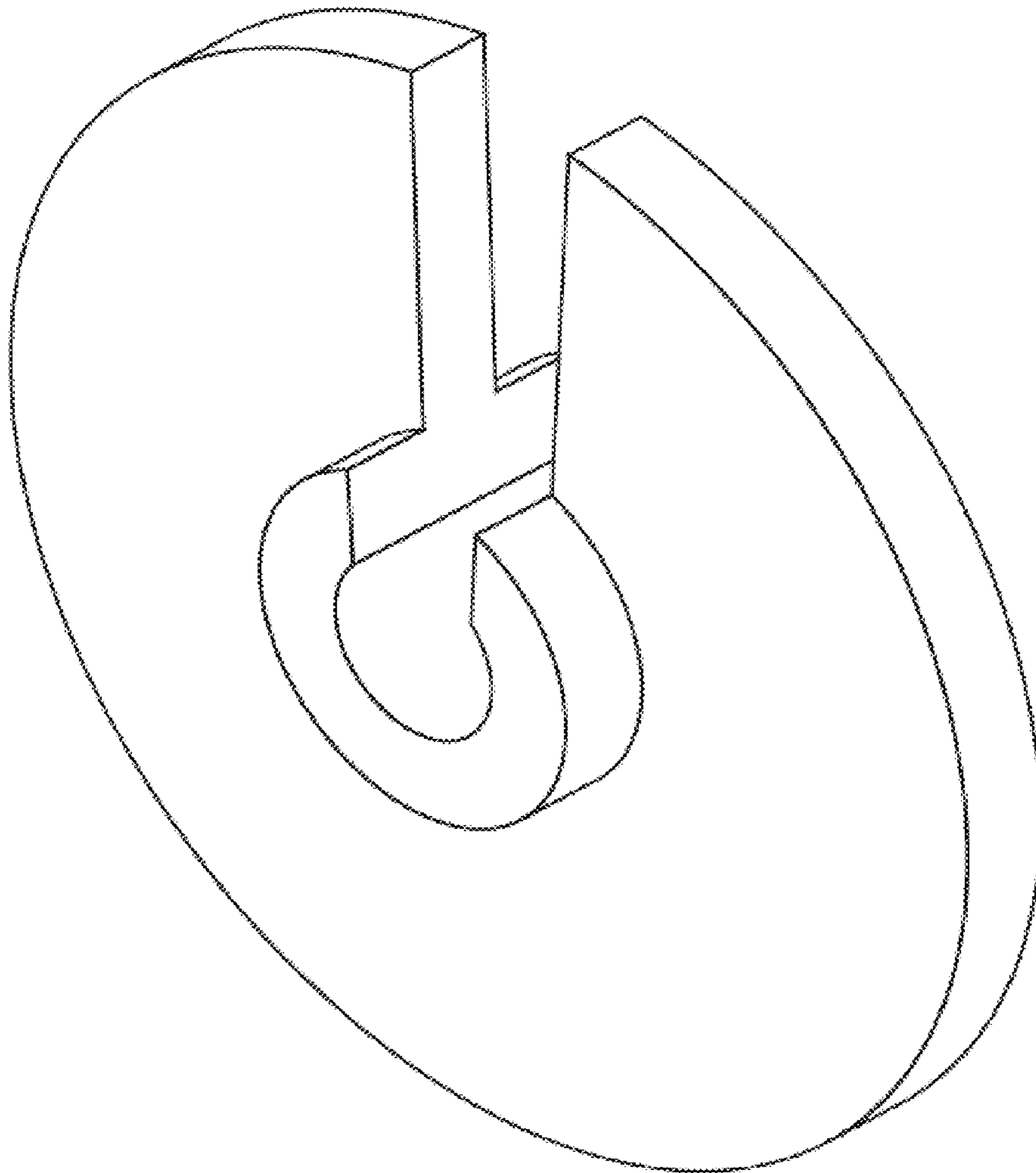


FIG. 13

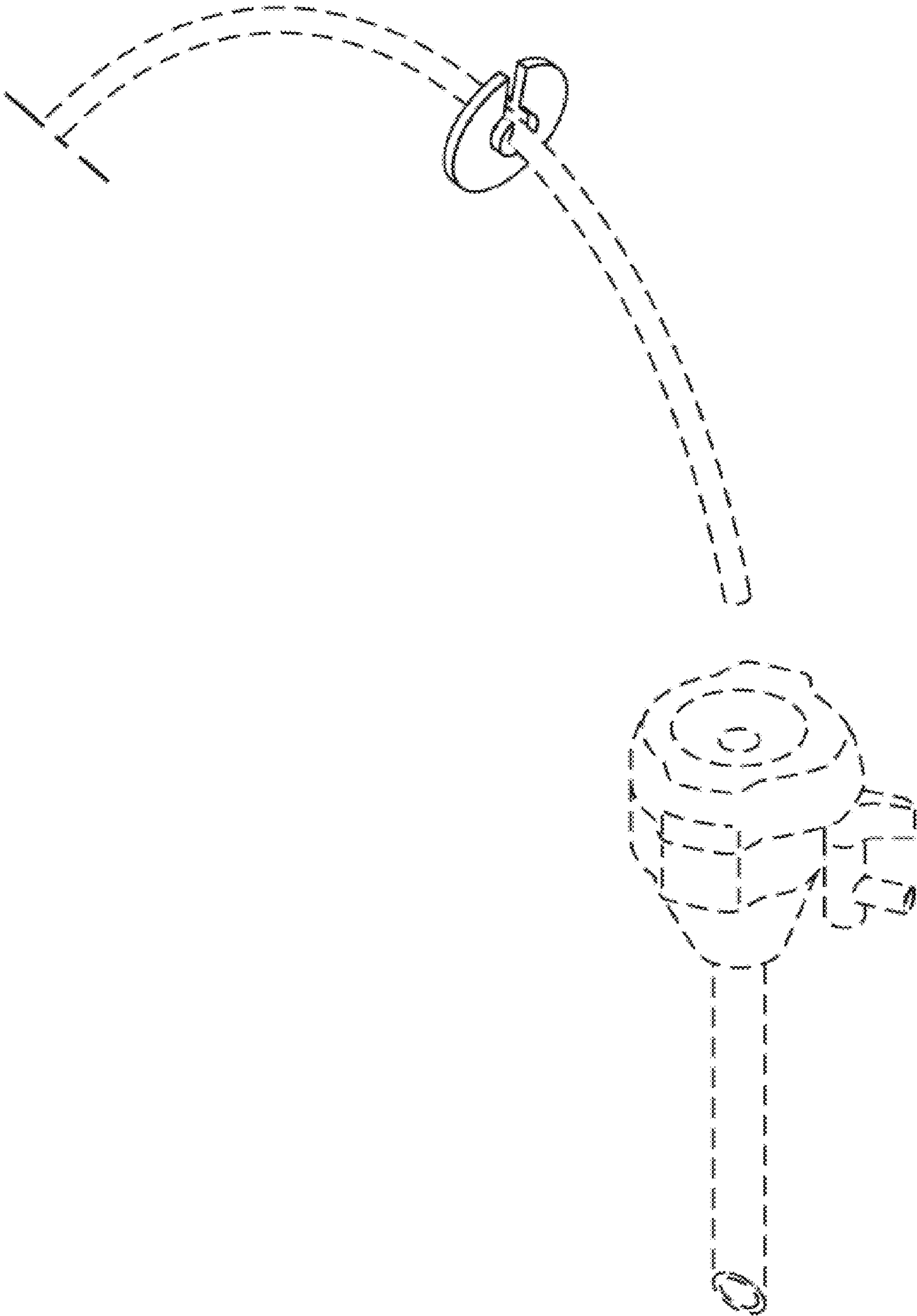


FIG. 14

