

US00D736908S

(12) **United States Design Patent**
Moore et al.

(10) **Patent No.:** **US D736,908 S**
(45) **Date of Patent:** **** Aug. 18, 2015**

(54) **HEADGEAR-TO-FRAME CONNECTION COMPONENT FOR RESPIRATORY MASK**

(71) Applicant: **ResMed Limited**, Bella Vista, New South Wales (AU)

(72) Inventors: **Rachael Elizabeth Moore**, North Bondi (AU); **Philip Rodney Kwok**, Chatswood (AU); **Andrew Martin Price**, Baulkham Hills (AU); **Saad Nasr**, Oatley (AU); **Anthony Michael Ging**, Heathcote Valley (AU)

(73) Assignee: **RESMED LIMITED**, Bella Vista (AU)

(**) Term: **14 Years**

(21) Appl. No.: **29/467,127**

(22) Filed: **Sep. 16, 2013**

Related U.S. Application Data

(60) Division of application No. 29/436,717, filed on Nov. 8, 2012, now Pat. No. Des. 690,003, which is a division of application No. 29/419,831, filed on May 2, 2012, now Pat. No. Des. 673,263, which is a continuation of

(Continued)

(51) **LOC (10) Cl.** **29-02**

(52) **U.S. Cl.**
USPC **D24/110.1**

(58) **Field of Classification Search**
USPC D24/110, 110.1-110.5; 128/202.27, 128/204.21, 205.25, 205.27, 128/206.11-206.13, 206.18, 206.21, 128/206.24, 206.27, 206.28, 207.11, 128/207.12, 207.13, 207.17, 207.18; 2/171, 2/181, 4, 255
See application file for complete search history.

(56) **References Cited**

U.S. PATENT DOCUMENTS

443,191 A 12/1890 Illing
D29,539 S 10/1898 Crane

1,192,186 A 7/1916 Greene
1,610,793 A 12/1926 Kaufman
1,675,431 A 7/1928 Sharp
2,931,356 A 4/1960 Schwarz
D247,982 S 5/1978 Huddy
4,167,185 A 9/1979 Lewis

(Continued)

FOREIGN PATENT DOCUMENTS

EM 2618340 1/1989
EM 2735030 12/1996

(Continued)

OTHER PUBLICATIONS

Moore et al., Parent Appln. U.S. Appl. No. 29/419,831, filed May 2, 2012.

(Continued)

Primary Examiner — Wan Laymon

Assistant Examiner — Mark Booker

(74) *Attorney, Agent, or Firm* — Nixon & Vanderhye P.C.

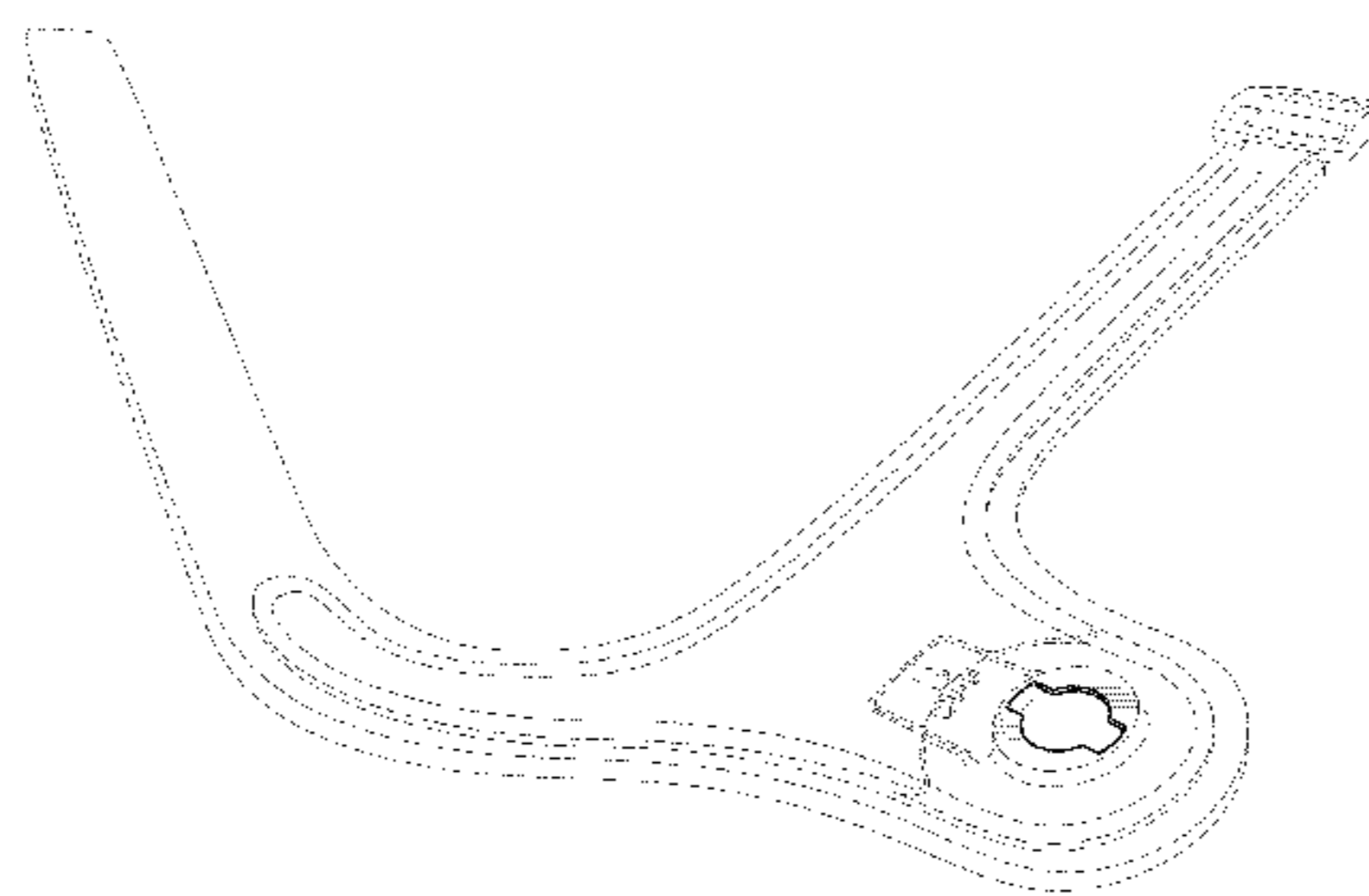
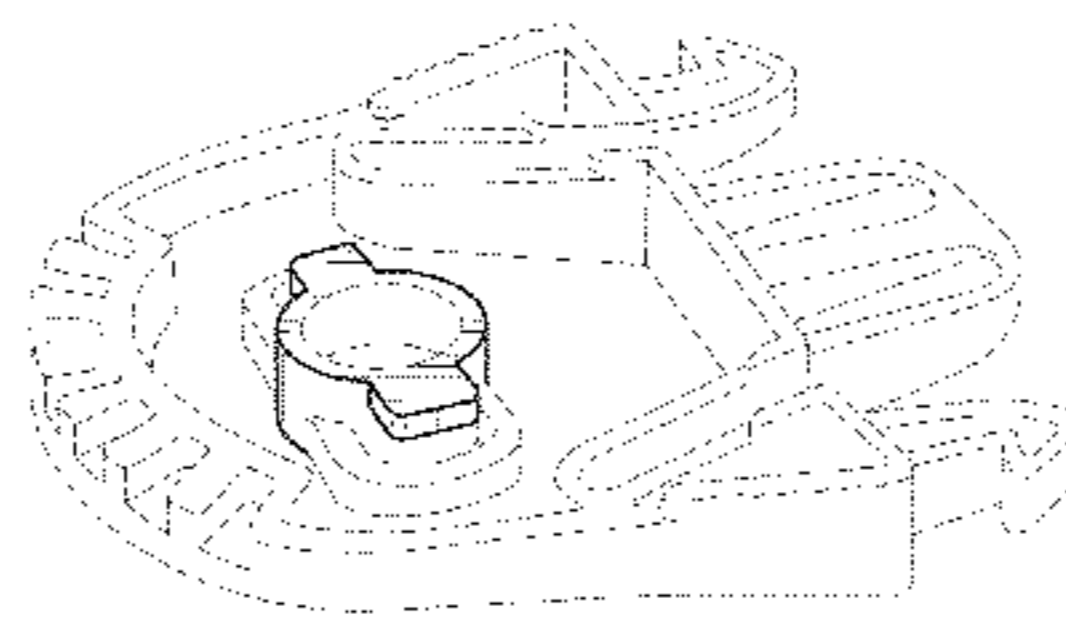
(57) **CLAIM**

The ornamental design for a headgear-to-frame connection component for respiratory mask, as shown and described.

DESCRIPTION

FIG. 1 is a perspective illustration of a first part of a headgear-to-frame connection component for respiratory mask according to our new ornamental design;
FIG. 2 is a perspective view of a second part of the headgear-to-frame connection component that engages with the part;
FIG. 3 is a top view of the first part; and,
FIG. 4 is a top view of the second part.
The broken lines in the drawing figures are included to show unclaimed portions only and form no part of the claimed design.

1 Claim, 2 Drawing Sheets



Related U.S. Application Data

application No. 29/311,142, filed on Dec. 31, 2008, now Pat. No. Des. 660,412, which is a division of application No. 29/295,746, filed on Oct. 5, 2007, now Pat. No. Des. 588,690, which is a continuation of application No. 29/323,874, filed on Jun. 24, 2005, now Pat. No. Des. 552,731, which is a continuation of application No. 29/213,364, filed on Sep. 16, 2004, now Pat. No. Des. 540,941, which is a continuation of application No. 29/189,972, filed on Sep. 15, 2003, now Pat. No. Des. 507,348, which is a division of application No. 29/166,190, filed on Aug. 9, 2002, now Pat. No. Des. 485,905.

(56)

References Cited

U.S. PATENT DOCUMENTS

| | | | | | |
|--------------|---------|-------------------|-------------------|---------|----------------------------------|
| 4,414,973 A | 11/1983 | Matheson et al. | 6,634,358 B2 | 10/2003 | Kwok et al. |
| 4,454,880 A | 6/1984 | Muto et al. | 6,644,315 B2 | 11/2003 | Ziaee |
| H0000397 H | 1/1988 | Stark | D485,905 S | 1/2004 | Moore et al. |
| 4,739,755 A | 4/1988 | White et al. | D486,226 S | 2/2004 | Guney et al. |
| 4,794,921 A | 1/1989 | Lindkvist | D486,907 S | 2/2004 | Guney et al. |
| 4,807,617 A | 2/1989 | Nesti | 6,691,707 B1 | 2/2004 | Gunaratnam et al. |
| 4,944,310 A | 7/1990 | Sullivan | D490,343 S * | 5/2004 | Guney et al. D11/216 |
| D335,367 S | 5/1993 | Mieskoski | D493,221 S | 7/2004 | Smart |
| 5,243,971 A | 9/1993 | Sullivan et al. | D495,797 S | 9/2004 | Guney et al. |
| 5,245,995 A | 9/1993 | Sullivan et al. | D496,098 S | 9/2004 | Guney et al. |
| 5,311,862 A | 5/1994 | Blasdell et al. | 6,796,308 B2 | 9/2004 | Gunaratnam et al. |
| 5,349,949 A | 9/1994 | Schegerin | D498,530 S | 11/2004 | Smart |
| 5,535,739 A | 7/1996 | Rapoport et al. | 6,823,869 B2 | 11/2004 | Raje et al. |
| 5,542,128 A | 8/1996 | Lomas | 6,851,425 B2 | 2/2005 | Jaffre et al. |
| D377,089 S | 12/1996 | Starr et al. | D505,489 S | 5/2005 | Sleeper |
| 5,657,752 A | 8/1997 | Landis et al. | D506,827 S | 6/2005 | Jones et al. |
| D383,204 S | 9/1997 | Lomas | 6,907,882 B2 | 6/2005 | Ging et al. |
| 5,662,101 A | 9/1997 | Ogden et al. | D507,348 S | 7/2005 | Moore et al. |
| 5,676,133 A | 10/1997 | Hickle et al. | D515,204 S | 2/2006 | Guney et al. |
| 5,704,345 A | 1/1998 | Berthon-Jones | 7,011,090 B2 | 3/2006 | Drew et al. |
| 5,709,204 A | 1/1998 | Lester | 7,047,972 B2 | 5/2006 | Ging et al. |
| 5,724,965 A | 3/1998 | Handke et al. | 7,089,939 B2 | 8/2006 | Walker et al. |
| 5,921,239 A | 7/1999 | McCall et al. | D535,023 S | 1/2007 | Smart et al. |
| 5,937,851 A | 8/1999 | Serowski et al. | D537,523 S | 2/2007 | Dantanarayana et al. |
| 5,979,133 A | 11/1999 | Funkhouser | D540,464 S | 4/2007 | Guney et al. |
| D423,096 S | 4/2000 | Kwok | D540,941 S | 4/2007 | Kwok et al. |
| 6,044,844 A | 4/2000 | Kwok et al. | 7,210,481 B1 | 5/2007 | Lovell et |
| D428,139 S | 7/2000 | Smart | D545,961 S | 7/2007 | Hitchcock et al. |
| D428,988 S | 8/2000 | Smart | D552,731 S | 10/2007 | Moore et al. |
| 6,112,746 A | 9/2000 | Kwok et al. | D556,897 S | 12/2007 | Guney et al. |
| 6,119,693 A | 9/2000 | Kwok et al. | D557,408 S | 12/2007 | Amarasinghe et al. |
| 6,119,694 A | 9/2000 | Correa et al. | D557,411 S | 12/2007 | Smart et al. |
| 6,192,886 B1 | 2/2001 | Rudolph | D558,333 S | 12/2007 | Hitchcock et al. |
| 6,357,441 B1 | 3/2002 | Kwok et al. | 7,316,230 B2 | 1/2008 | Drew et al. |
| 6,374,826 B1 | 4/2002 | Gunaratnam et al. | 7,341,060 B2 | 3/2008 | Ging et al. |
| D459,800 S | 7/2002 | Smart | D578,206 S | 10/2008 | Hitchcock et al. |
| 6,412,487 B1 | 7/2002 | Gunaratnam et al. | D580,048 S | 11/2008 | Guney et al. |
| 6,422,238 B1 | 7/2002 | Lithgow | D581,041 S | 11/2008 | Moore et al. |
| D464,426 S | 10/2002 | Palkon et al. | D585,981 S | 2/2009 | Moore et al. |
| D464,427 S | 10/2002 | Smart | D586,258 S * | 2/2009 | Guney et al. D11/216 |
| D464,428 S | 10/2002 | Barnett et al. | D586,458 S | 2/2009 | Kooij et al. |
| D464,728 S | 10/2002 | Paul | 7,487,772 B2 | 2/2009 | Ging et al. |
| 6,457,473 B1 | 10/2002 | Brostrom et al. | D588,690 S | 3/2009 | Ging et al. |
| 6,467,483 B1 | 10/2002 | Kopacko | D597,199 S | 7/2009 | Smart |
| 6,491,034 B1 | 12/2002 | Gunaratnam et al. | D612,481 S | 3/2010 | Reid et al. |
| D469,383 S | 1/2003 | Young | 7,743,767 B2 | 6/2010 | Ging et al. |
| 6,508,249 B2 | 1/2003 | Hoenig | D619,701 S | 7/2010 | Edwards et al. |
| 6,513,526 B2 | 2/2003 | Kwok et al. | D623,288 S | 9/2010 | Lubke et al. |
| 6,532,961 B1 | 3/2003 | Kwok et al. | 7,874,291 B2 | 1/2011 | Ging et al. |
| 6,550,070 B2 | 4/2003 | Wiegand | D635,247 S | 3/2011 | Scheiner et al. |
| 6,581,594 B1 | 6/2003 | Drew et al. | D637,283 S | 5/2011 | Selvarajan et al. |
| 6,581,596 B1 | 6/2003 | Truitt et al. | 7,934,501 B2 | 5/2011 | Fu et al. |
| D476,732 S | 7/2003 | Smart | 7,938,116 B2 | 5/2011 | Ging et al. |
| 6,584,977 B1 | 7/2003 | Serowski | 7,997,267 B2 | 8/2011 | Ging et al. |
| 6,615,832 B1 | 9/2003 | Chen | 8,025,057 B2 | 9/2011 | Ging et al. |
| 6,619,288 B2 | 9/2003 | Demers et al. | 8,042,538 B2 | 10/2011 | Ging et al. |
| 6,631,718 B1 | 10/2003 | Lovell | 8,042,542 B2 * | 10/2011 | Ging et al. 128/207.11 |
| | | | D656,607 S * | 3/2012 | Gunaratnam et al. D24/110.5 |
| | | | D660,412 S | 5/2012 | Moore et al. |
| | | | D673,263 S | 12/2012 | Moore et al. |
| | | | 8,387,616 B2 | 3/2013 | Ging et al. |
| | | | 8,479,736 B2 | 7/2013 | Ging et al. |
| | | | 8,505,535 B2 | 8/2013 | Jones et al. |
| | | | D690,003 S | 9/2013 | Moore et al. |
| | | | 8,863,745 B2 * | 10/2014 | Ging et al. 128/207.11 |
| | | | 2001/0020474 A1 | 9/2001 | Hecker et al. |
| | | | 2001/0032648 A1 | 10/2001 | Jestrabek-Hart |
| | | | 2002/0144684 A1 | 10/2002 | Moone |
| | | | 2003/0089373 A1 | 5/2003 | Gradon et al. |
| | | | 2003/0196656 A1 | 10/2003 | Moore et al. |
| | | | 2003/0196657 A1 | 10/2003 | Ging et al. |
| | | | 2004/0094157 A1 | 5/2004 | Dantanarayana et al. |
| | | | 2004/0221850 A1 | 11/2004 | Ging et al. |
| | | | 2005/0022820 A1 | 2/2005 | Kwok et al. |
| | | | 2005/0172969 A1 | 8/2005 | Ging et al. |
| | | | 2006/0124131 A1 | 6/2006 | Chandran et al. |
| | | | 2008/0092905 A1 | 4/2008 | Gunaratnam et al. |
| | | | 2009/0101141 A1 | 4/2009 | Ging et al. |
| | | | 2009/0145429 A1 * | 6/2009 | Ging et al. 128/202.27 |

(56)

References Cited

U.S. PATENT DOCUMENTS

| | | | | |
|--------------|-----|---------|--------------|------------|
| 2012/0017912 | A1 | 1/2012 | Ging et al. | |
| 2012/0037161 | A1 | 2/2012 | Ging et al. | |
| 2013/0146059 | A1 | 6/2013 | Ging et al. | |
| 2013/0174839 | A1 | 7/2013 | Ging et al. | |
| 2013/0291870 | A1 | 11/2013 | Ging et al. | |
| 2013/0312758 | A1 | 11/2013 | Jones et al. | |
| 2014/0158137 | A1* | 6/2014 | Ging et al. | 128/207.13 |
| 2014/0202463 | A1* | 7/2014 | Ging et al. | 128/205.25 |
| 2014/0261412 | A1* | 9/2014 | Guney et al. | 128/202.27 |

FOREIGN PATENT DOCUMENTS

| | | |
|----|-------------|---------|
| EM | 1258266 | 11/2002 |
| EM | 1 314 446 | 5/2003 |
| GB | 799225 | 8/1958 |
| GB | 2264646 | 9/1993 |
| GB | 2379886 | 3/2003 |
| GB | 3014189 | 9/2003 |
| WO | WO 87/01950 | 4/1987 |
| WO | WO 98/04310 | 2/1998 |

| | | |
|----|----------------|---------|
| WO | WO 98/12965 | 4/1998 |
| WO | WO 99/61088 | 12/1999 |
| WO | WO 00/69521 | 11/2000 |
| WO | WO 00/78381 | 12/2000 |
| WO | WO 00/78384 | 12/2000 |
| WO | WO 01/32250 | 5/2001 |
| WO | WO 01/62326 | 8/2001 |
| WO | WO 02/11804 | 2/2002 |
| WO | WO 02/096342 | 12/2002 |
| WO | WO 2004/022147 | 3/2004 |
| WO | WO 2004/096332 | 11/2004 |
| WO | WO 2005/051468 | 6/2005 |

OTHER PUBLICATIONS

Gunaratnam et al., U.S. Appl. No. 29/214,556, filed Jun. 1, 2004.
 European Search Report for EP 03252572, dated Jan. 13, 2004, 5 pages.
 Fu et al., U.S. Appl. No. 60/682,827, filed May 20, 2005.
 Fu et al., U.S. Appl. No. 60/721,967, filed Sep. 30, 2005.
 Office Action issued in corresponding U.S. Appl. No. 29/467,135 on Dec. 18, 2013.

* cited by examiner

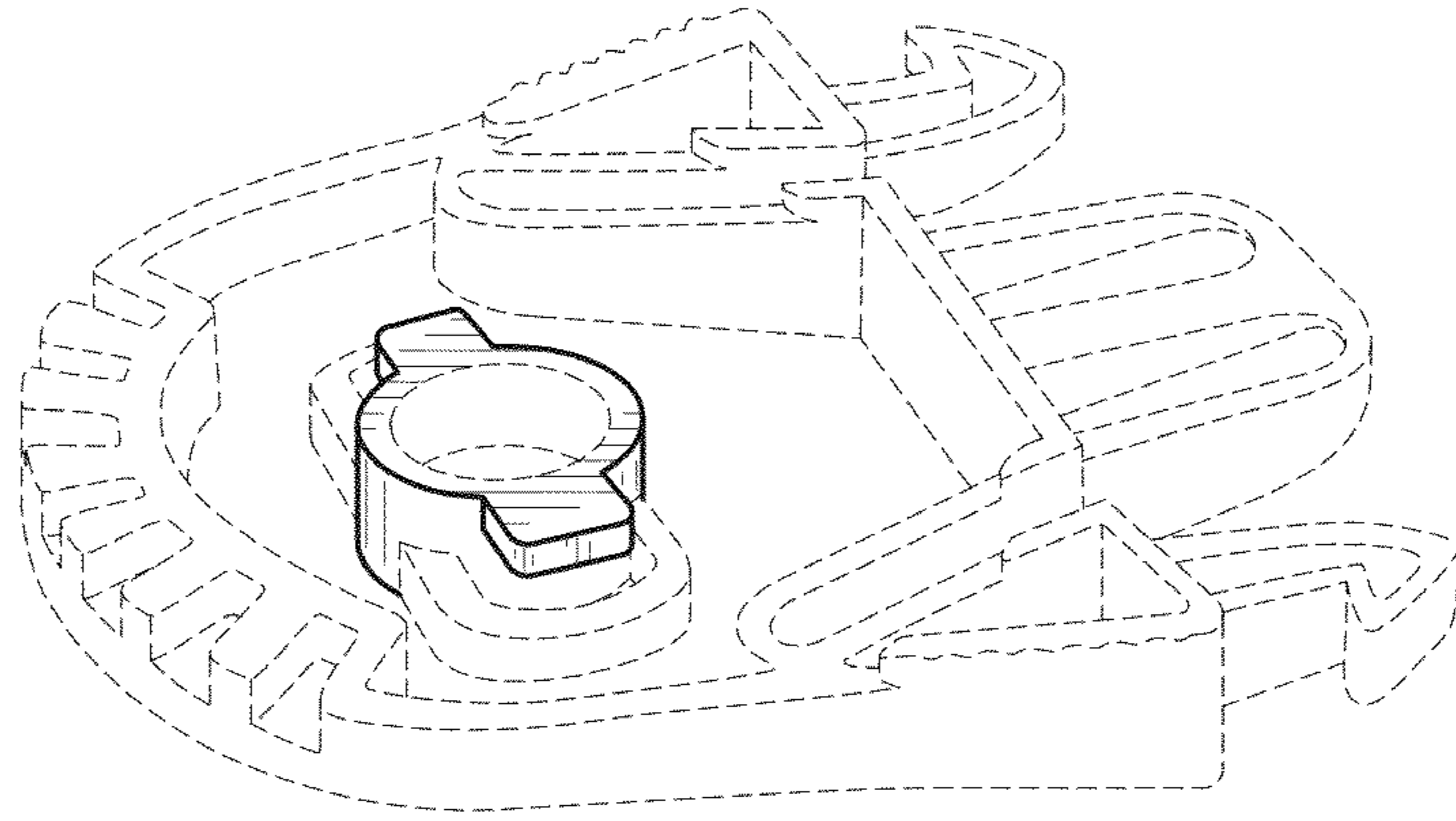


FIG. 1

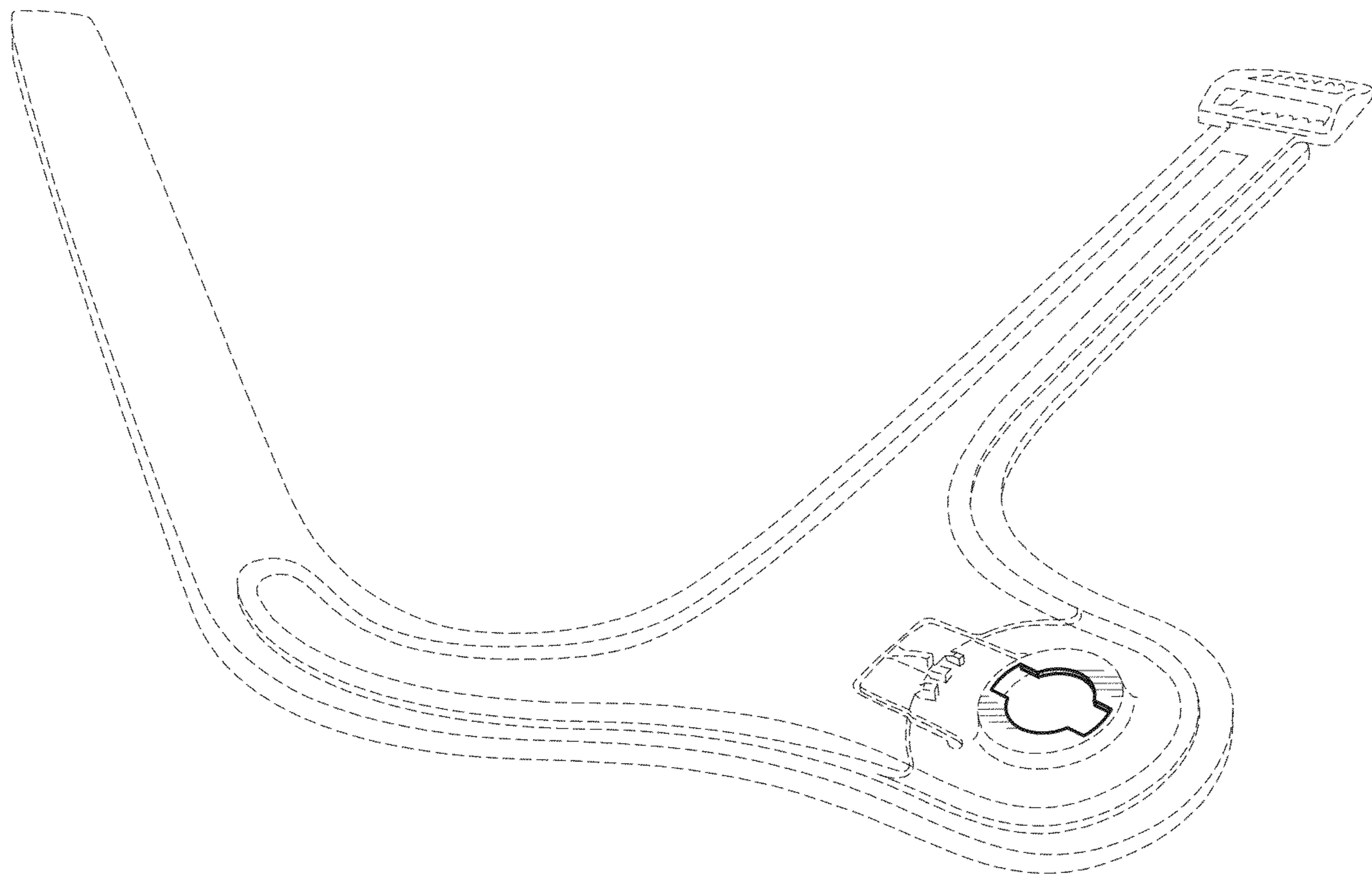


FIG. 2

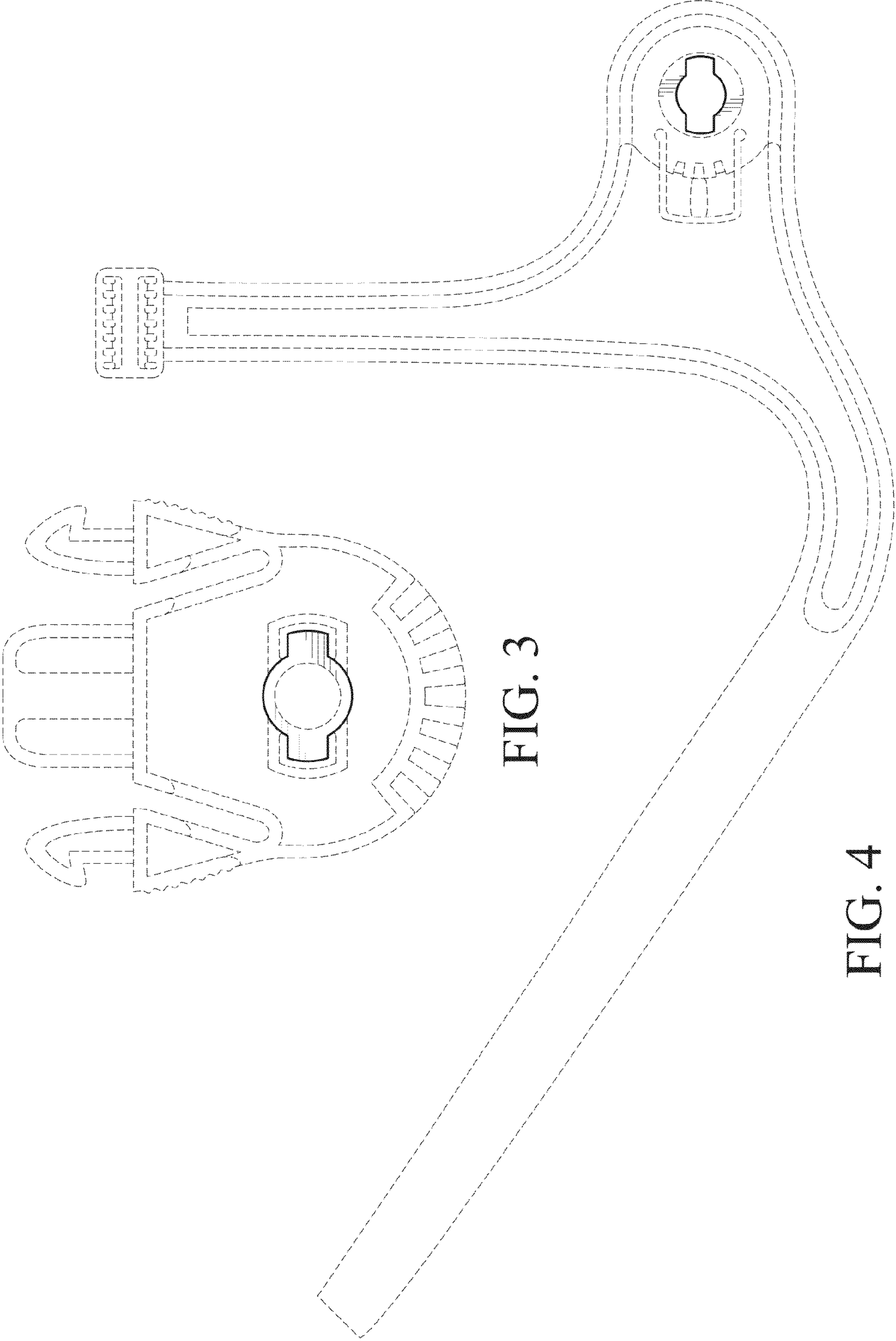


FIG. 3

FIG. 4