



US00D736906S

(12) **United States Design Patent**
Schultz

(10) **Patent No.:** **US D736,906 S**

(45) **Date of Patent:** **** Aug. 18, 2015**

(54) **NASAL-IRRIGATION CAP**

(71) Applicant: **Joseph P. Schultz**, Atlanta, GA (US)

(72) Inventor: **Joseph P. Schultz**, Atlanta, GA (US)

(**) Term: **14 Years**

(21) Appl. No.: **29/480,701**

(22) Filed: **Jan. 28, 2014**

(51) **LOC (10) Cl.** **24-01**

(52) **U.S. Cl.**
USPC **D24/108**

(58) **Field of Classification Search**
USPC D24/107, 108, 110, 111, 164, 130, 127;
D9/435, 436, 445, 447
CPC A61M 2210/0618; A61M 11/00;
A61M 1/0003; A61D 1/02

See application file for complete search history.

(56) **References Cited**

U.S. PATENT DOCUMENTS

2,811,283	A *	10/1957	Bowen	222/109
2,987,261	A *	6/1961	McCuiston et al.	239/304
D198,964	S *	8/1964	Dash	D24/115
3,361,304	A *	1/1968	Thompson	222/190
3,666,182	A *	5/1972	Cureton	239/327
3,985,271	A *	10/1976	Gardner	222/190
4,083,496	A *	4/1978	Oshima et al.	239/327
4,463,880	A *	8/1984	Kramer et al.	222/189.08
D328,244	S *	7/1992	Hamilton et al.	D9/724
5,224,471	A *	7/1993	Marelli et al.	128/200.14
5,380,300	A *	1/1995	Pritchard et al.	604/275

D377,891	S *	2/1997	Bencich	D8/14.1
7,104,469	B2 *	9/2006	Merk et al.	239/302
D543,118	S *	5/2007	Poisson et al.	D9/724
D624,641	S *	9/2010	Boclet	D24/110
D634,631	S *	3/2011	Taylor	D9/447
D681,478	S *	5/2013	Riffe	D9/724
D686,312	S *	7/2013	Allsop	D24/110
8,657,794	B2 *	2/2014	Carpenter	604/275
8,800,819	B2 *	8/2014	Carrico et al.	222/153.13
2002/0066753	A1 *	6/2002	Greiner-Perth et al.	...	222/321.6
2011/0319840	A1 *	12/2011	Hair	604/275

* cited by examiner

Primary Examiner — Deanna L Pratt

Assistant Examiner — Lilyana Bekic

(74) *Attorney, Agent, or Firm* — Merchant & Gould

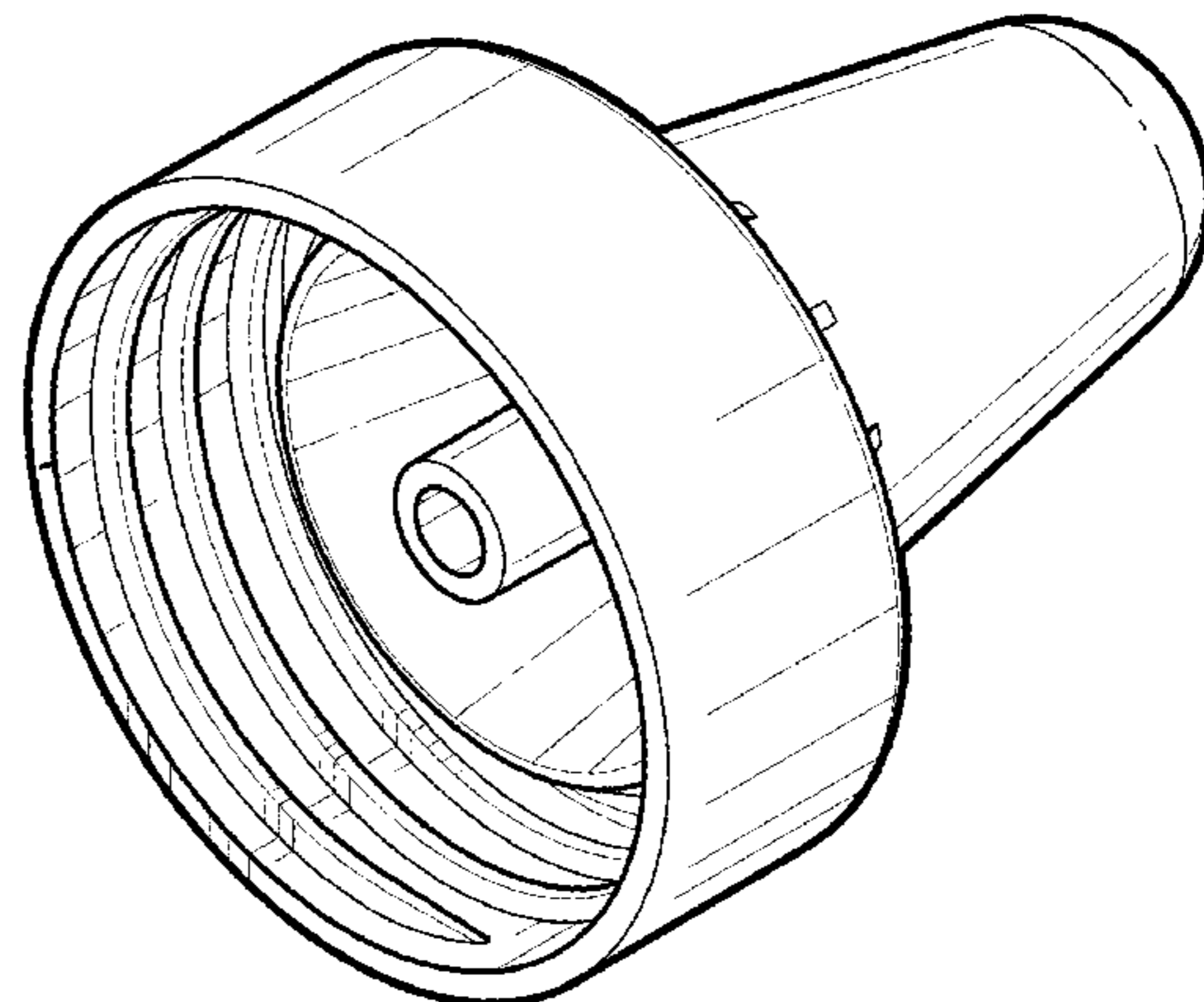
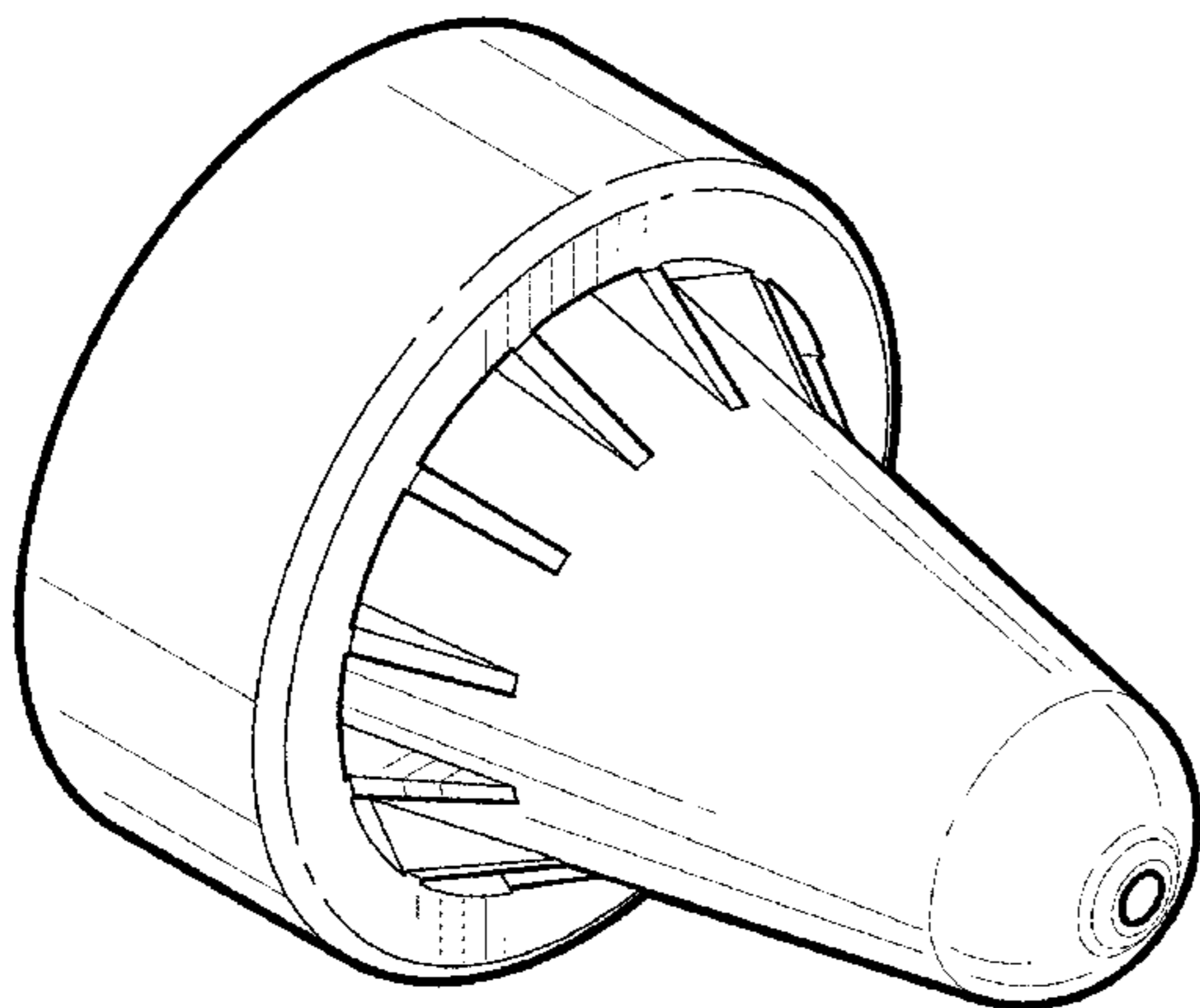
(57) **CLAIM**

The ornamental design for a nasal-irrigation cap, as shown and described.

DESCRIPTION

FIG. 1 is a perspective view of a nasal-irrigation cap showing my new design;
 FIG. 2 is perspective view thereof showing an opposing side;
 FIG. 3 is a top view thereof;
 FIG. 4 is a bottom view thereof;
 FIG. 5 is a front view thereof, the rear view, right-side view, and left-side view being mirror images; and,
 FIG. 6 is a sectional view through the section 6-6 of FIG. 3.
 The evenly-spaced broken line depiction of the medical-fluid delivery device represents environmental structure with which the design may be associated and forms no part of the claimed design.

1 Claim, 4 Drawing Sheets



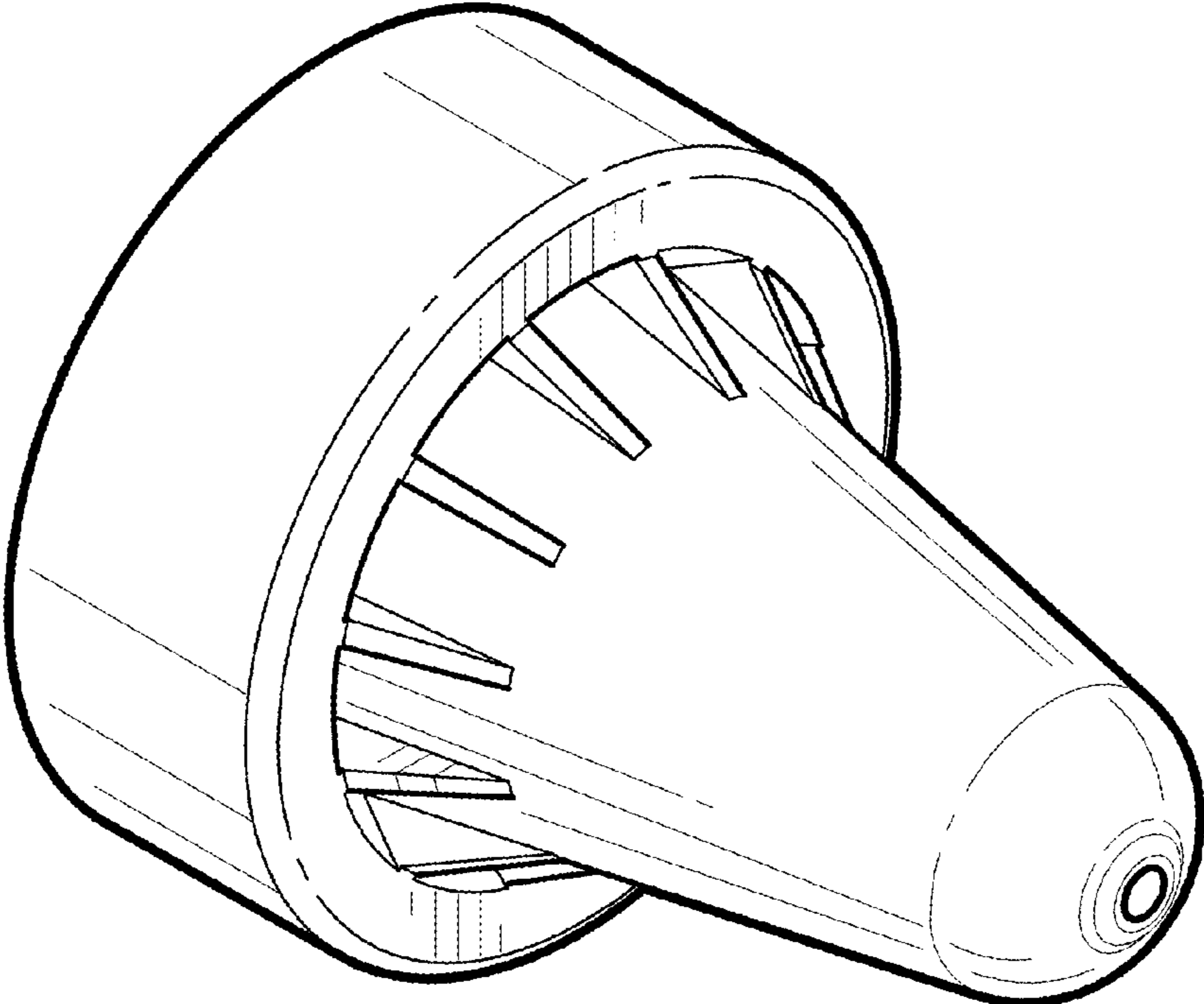


FIG. 1

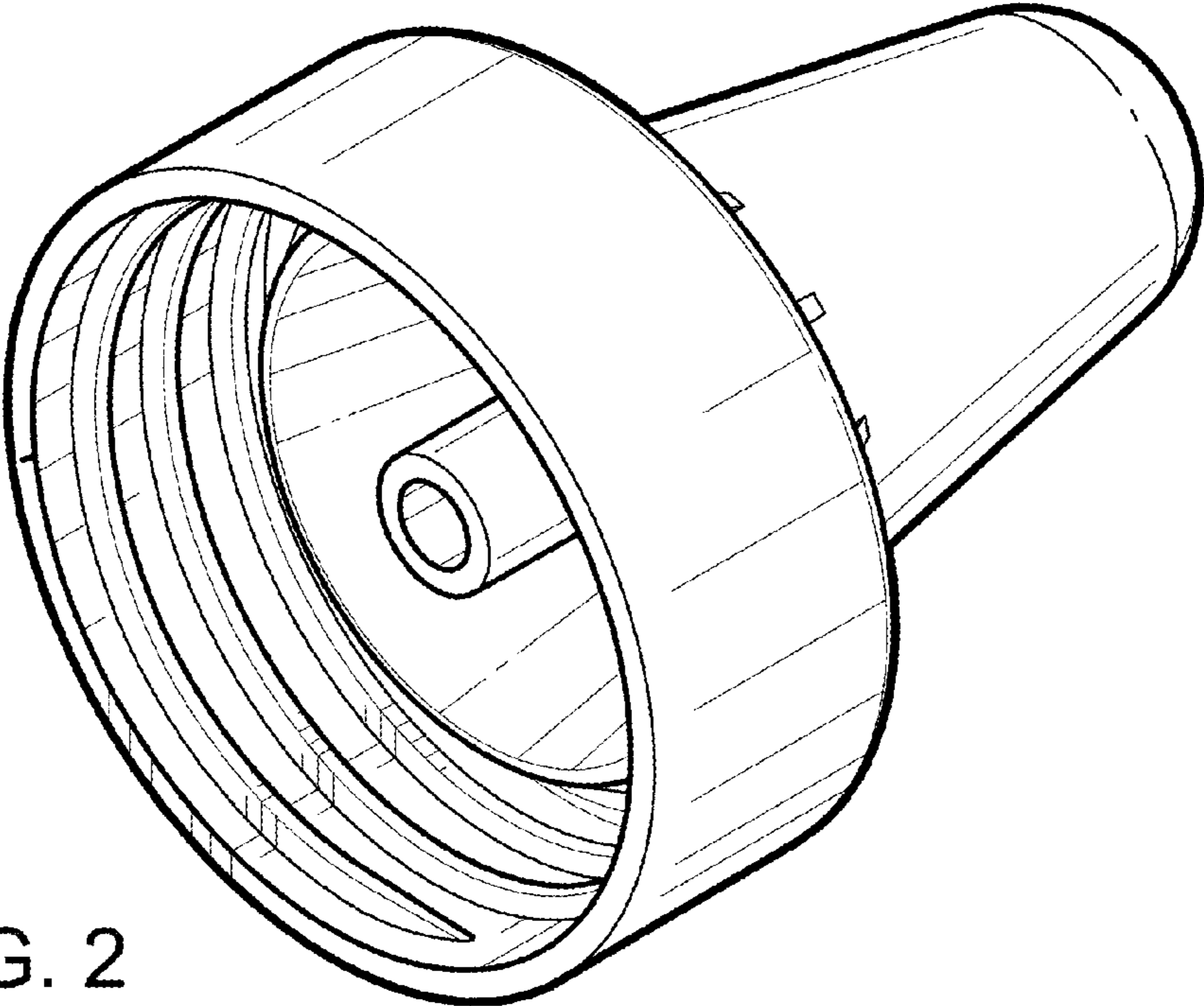


FIG. 2

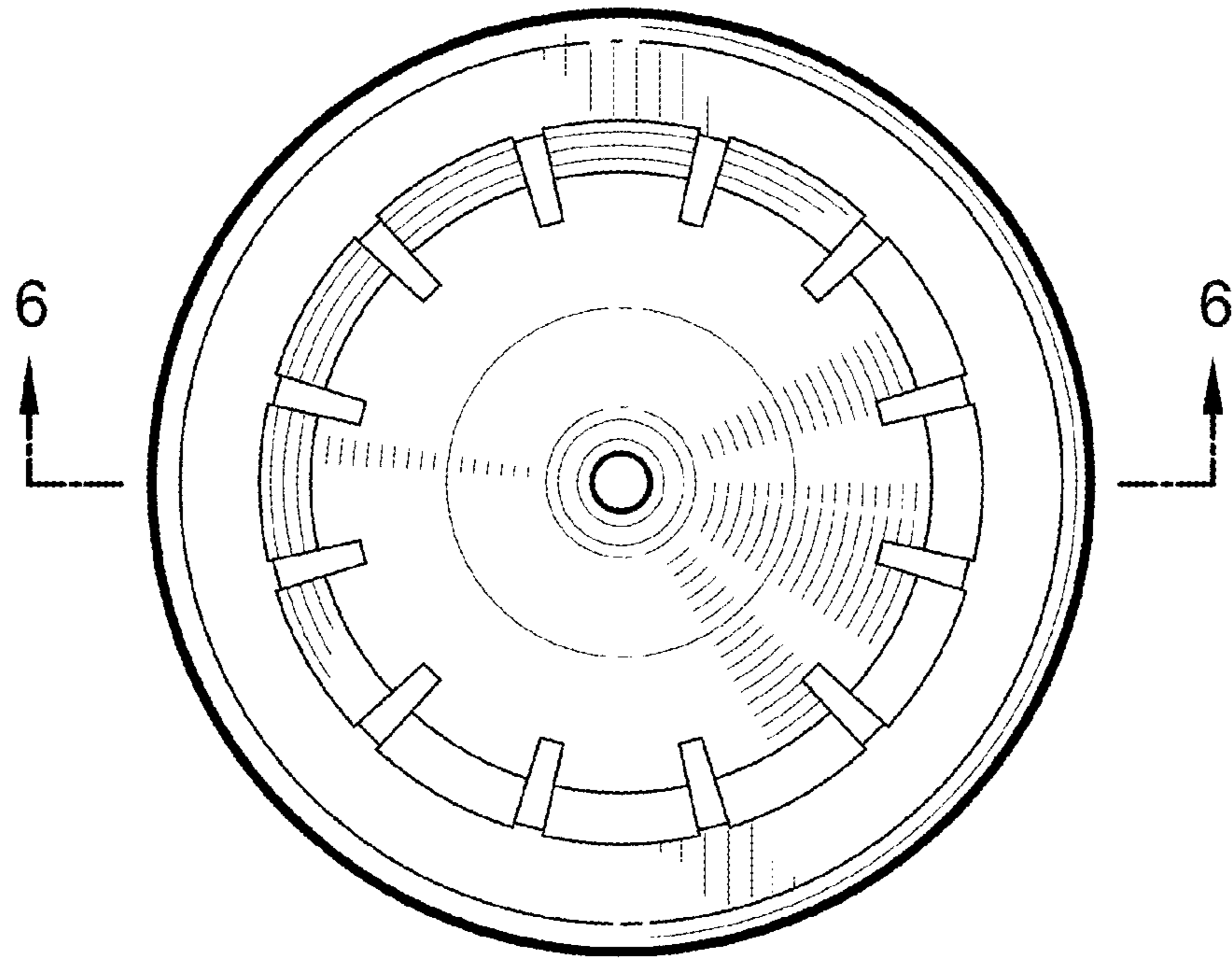


FIG. 3

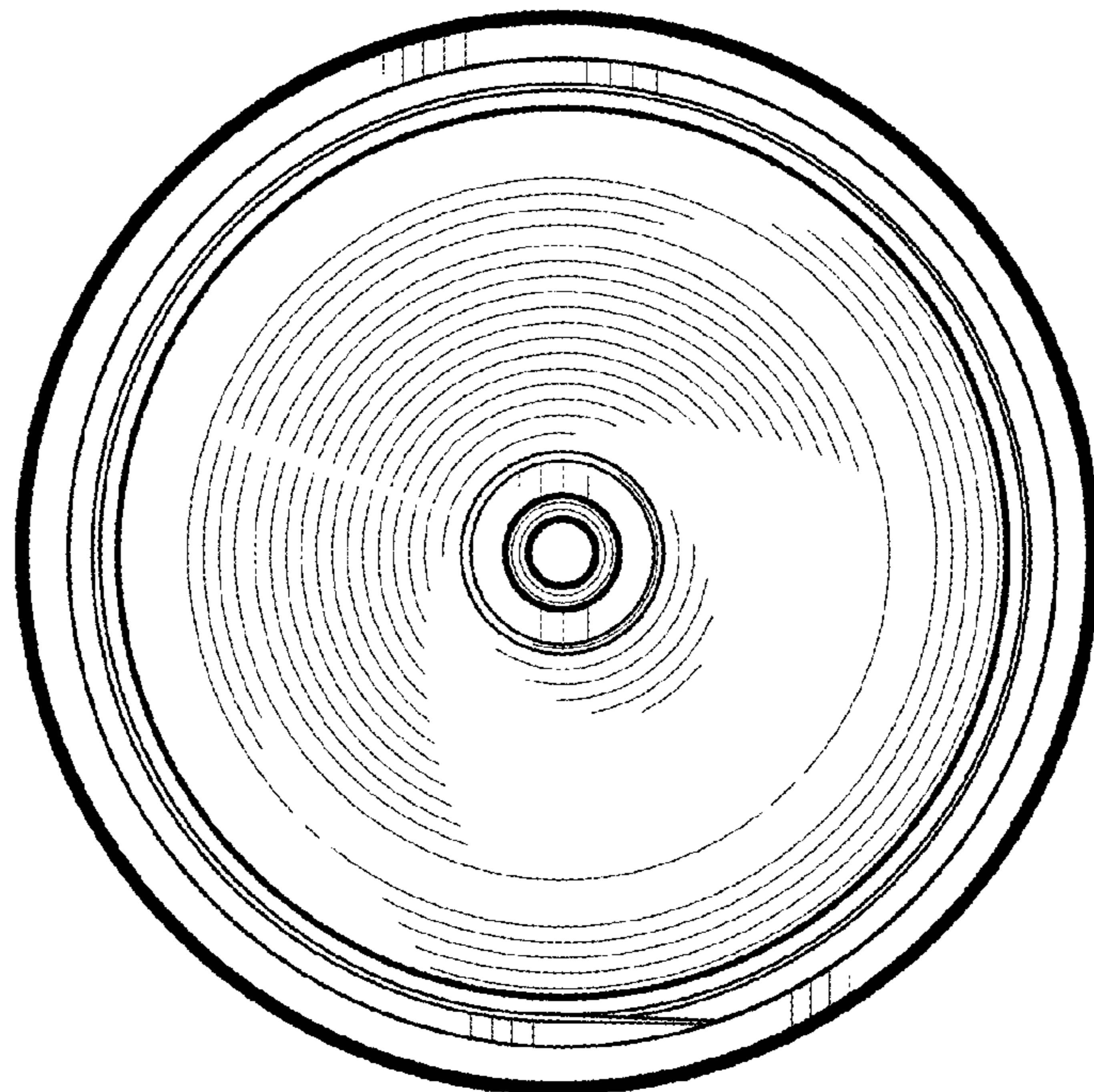


FIG. 4

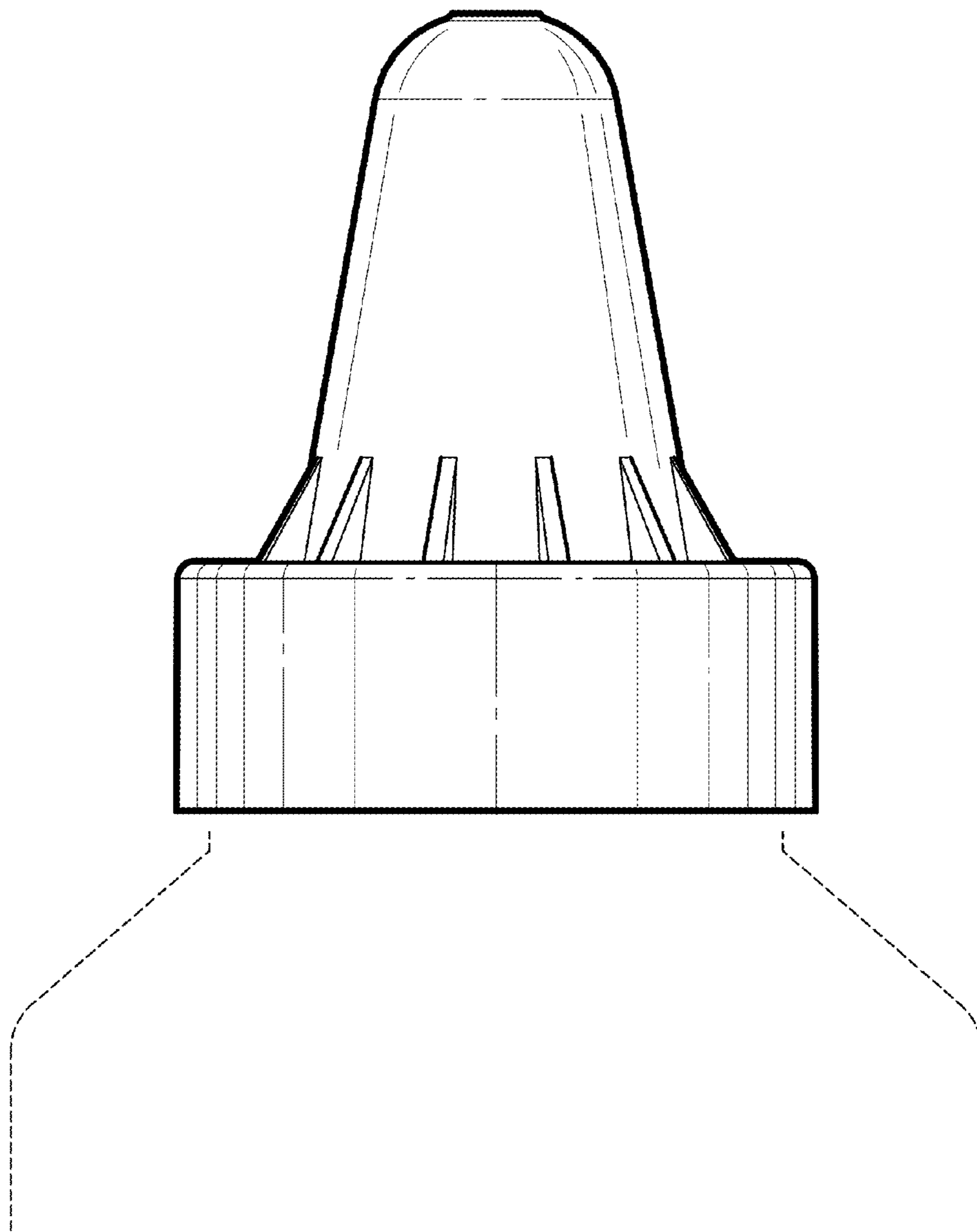


FIG. 5

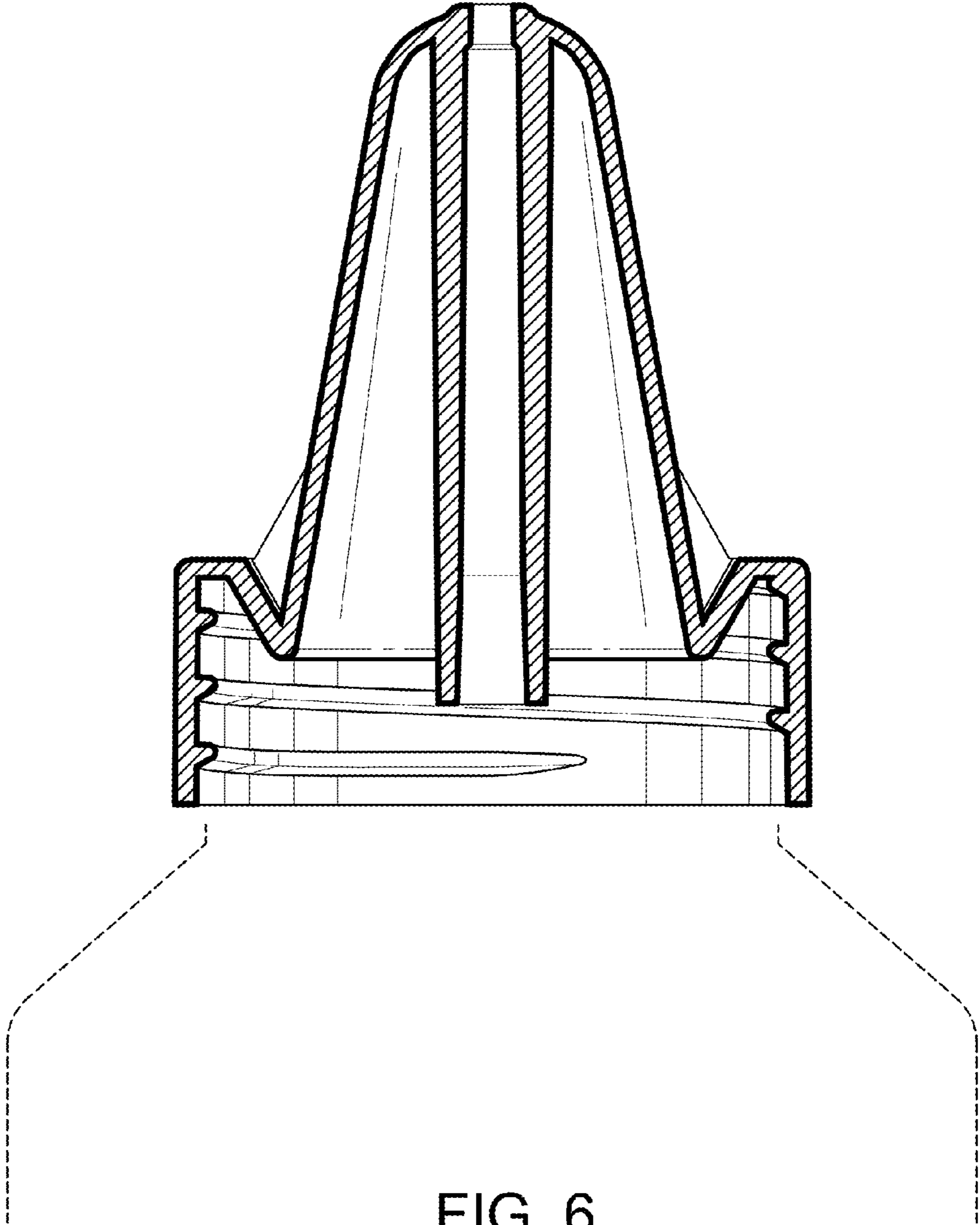


FIG. 6