



US00D736903S

(12) **United States Design Patent**
Puffer

(10) **Patent No.:** **US D736,903 S**

(45) **Date of Patent:** **** Aug. 18, 2015**

(54) **DOWN DRAFT GRILL**

(71) Applicant: **Broan-NuTone LLC**, Hartford, WI (US)

(72) Inventor: **Benjamin Thorpe Puffer**, Hartford, WI (US)

(73) Assignee: **Broan-NuTone LLC**, Hartford, WI (US)

(**) Term: **14 Years**

(21) Appl. No.: **29/489,619**

(22) Filed: **May 1, 2014**

(51) **LOC (10) Cl.** **23-04**

(52) **U.S. Cl.**
USPC **D23/372**

(58) **Field of Classification Search**

USPC D23/370–372, 385–386, 388, 393, 411,
D23/381–382, 412; 126/299 D, 299 R;
D26/51, 59, 72, 78, 88–90, 128
CPC F24C 15/2042; F24C 15/2007; F24C
15/205; F24C 15/2064; F24C 15/2071;
F24C 15/2078; F24C 15/2085; F24C 15/2092
See application file for complete search history.

(56) **References Cited**

U.S. PATENT DOCUMENTS

4,934,337	A *	6/1990	Falk	126/299 R
D327,538	S *	6/1992	Falk et al.	D23/365
D335,533	S *	5/1993	Chen	D23/412
D577,806	S *	9/2008	Grey et al.	D23/372
D602,145	S *	10/2009	Grey	D23/372
D602,578	S *	10/2009	Grey	D23/372
D622,372	S *	8/2010	Grey et al.	D23/372
D622,373	S *	8/2010	Grey et al.	D23/372
7,836,877	B2 *	11/2010	Gagas et al.	126/299 D
D629,882	S *	12/2010	Nguyen	D23/386
8,312,873	B2 *	11/2012	Gagas et al.	126/299 D
D694,386	S *	11/2013	Sinur et al.	D23/372
D694,387	S *	11/2013	Sinur et al.	D23/372
D694,388	S *	11/2013	Sinur et al.	D23/372
D694,389	S *	11/2013	Sinur et al.	D23/372

D694,390	S *	11/2013	Sinur et al.	D23/372
D694,391	S *	11/2013	Sinur et al.	D23/372
D694,392	S *	11/2013	Sinur et al.	D23/372
2006/0278215	A1 *	12/2006	Gagas et al.	126/299 D
2008/0029081	A1 *	2/2008	Gagas et al.	126/299 D
2014/0041649	A1 *	2/2014	Sinur et al.	126/299 D

* cited by examiner

Primary Examiner — Susan Bennett Hattan

Assistant Examiner — Janice Hallmark

(74) *Attorney, Agent, or Firm* — Schwegman Lundberg & Woessner, P.A.

(57) **CLAIM**

The ornamental design for a down draft grill, as shown and described.

DESCRIPTION

FIG. 1 is a front Perspective view showing environment/counter in broken lines of the down draft grill.

FIG. 2 is a rear perspective view showing additional environment in broken lines thereof.

FIG. 3 is a front perspective view thereof.

FIG. 4 is a rear perspective view thereof.

FIG. 5 is a front view thereof.

FIG. 6 is a back view thereof.

FIG. 7 is a side view thereof.

FIG. 8 is a side view thereof.

FIG. 9 is a top view thereof.

FIG. 10 is a front perspective showing additional environment in broken lines view thereof.

FIG. 11 is a rear perspective view thereof.

FIG. 12 is a front view thereof.

FIG. 13 is a rear view thereof.

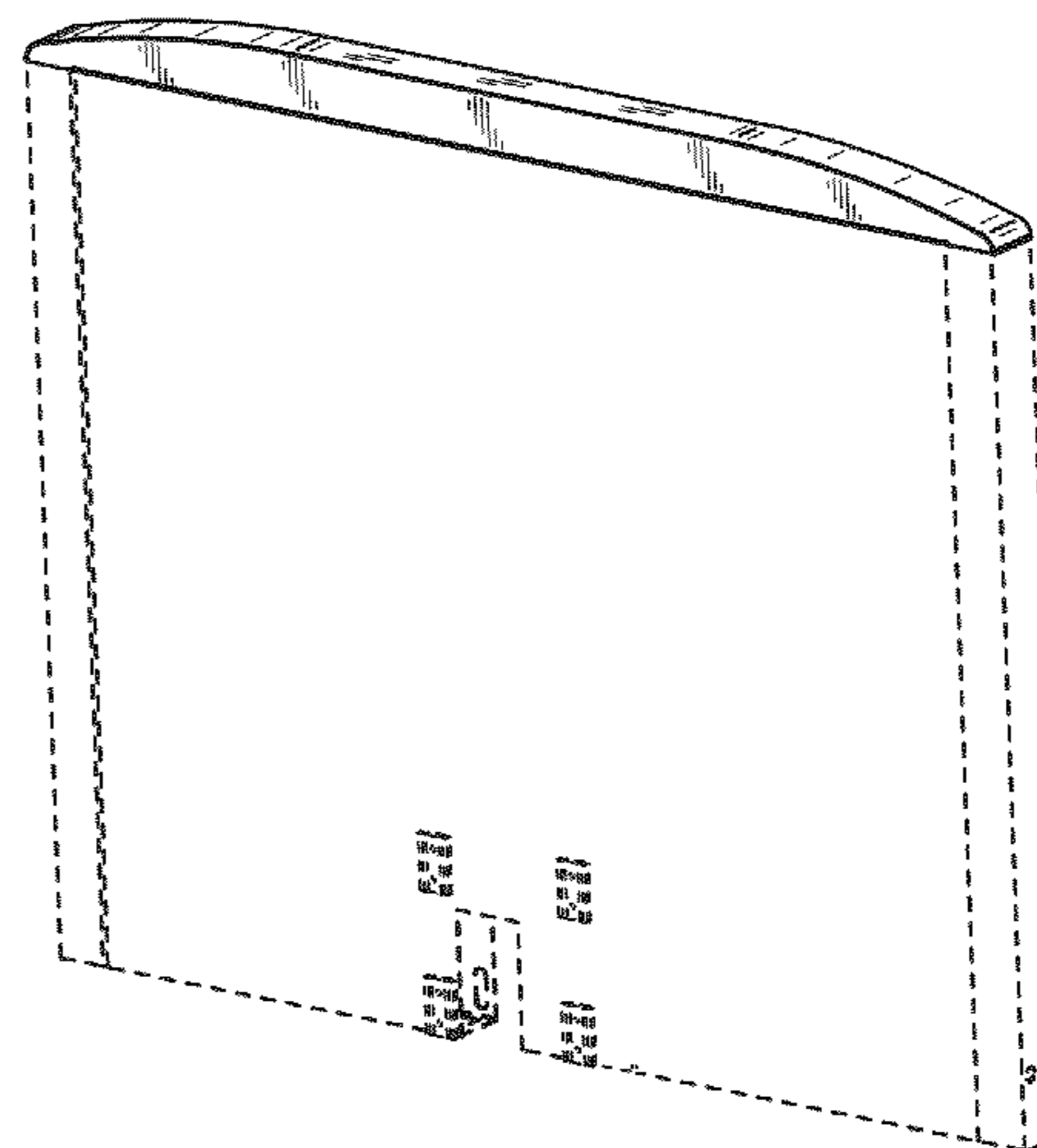
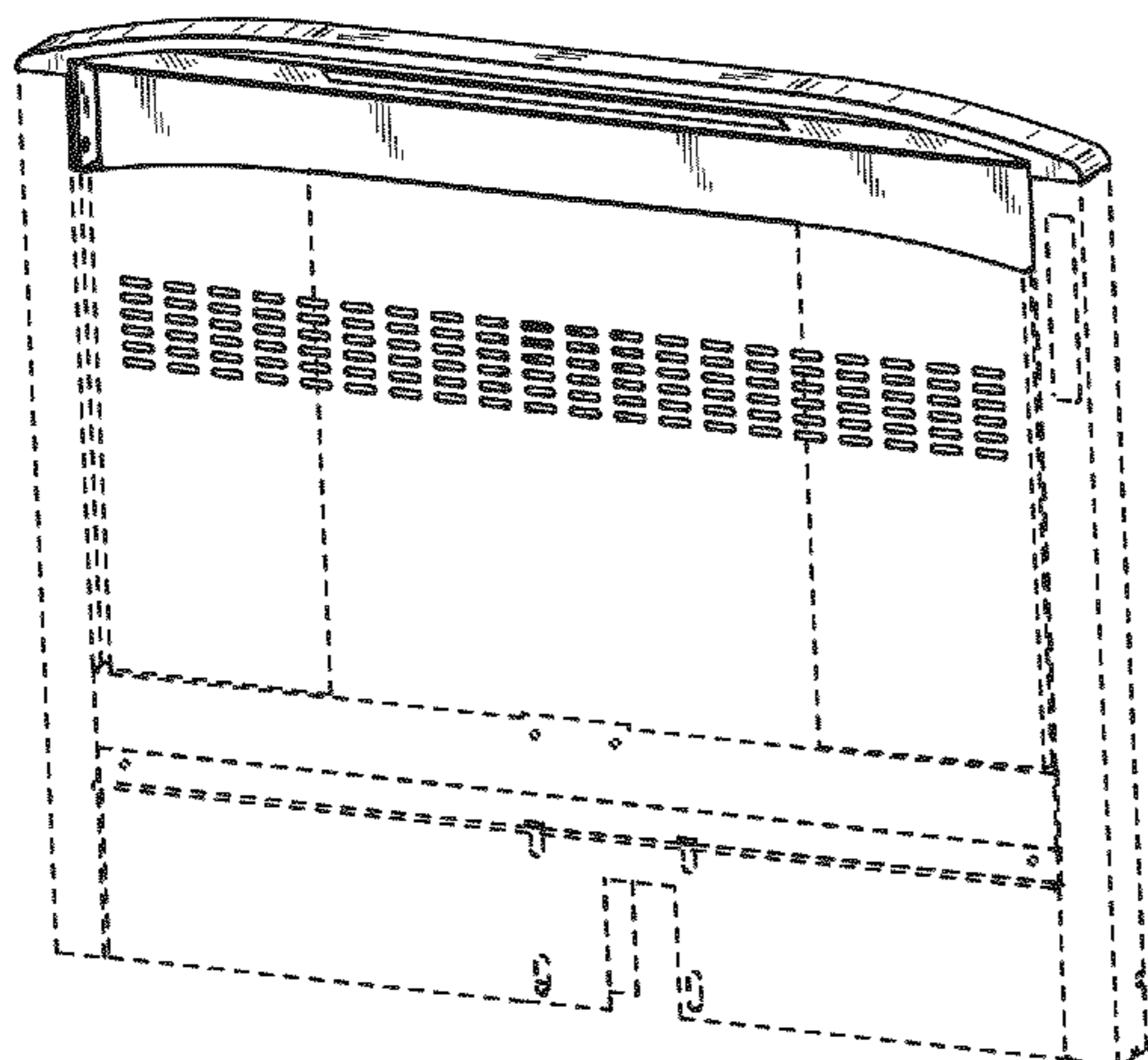
FIG. 14 is a side view thereof.

FIG. 15 is a side view thereof; and,

FIG. 16 is a top view thereof.

The broken lines in the drawings depict environment that forms no part of the claimed design.

1 Claim, 7 Drawing Sheets



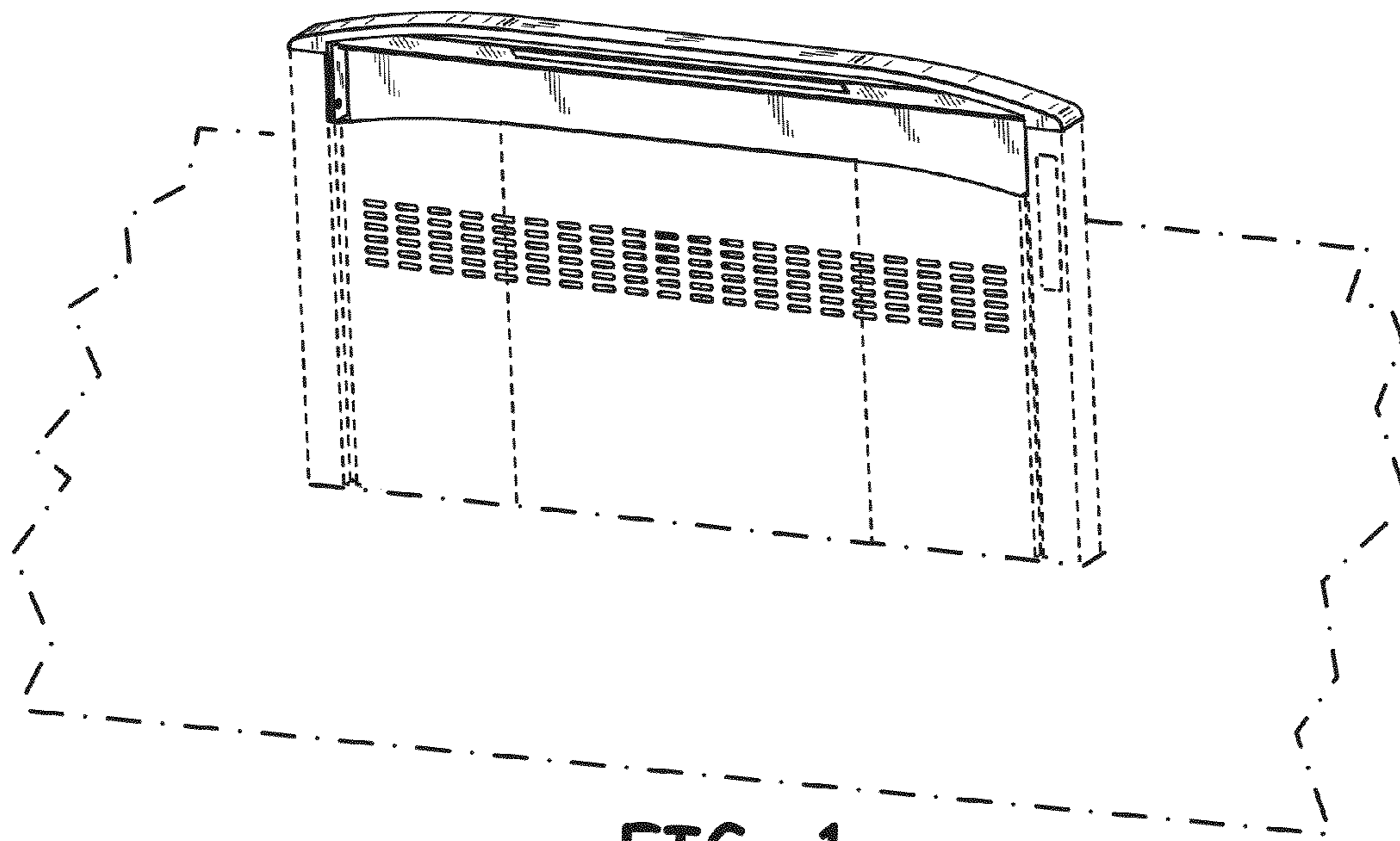


FIG. 1

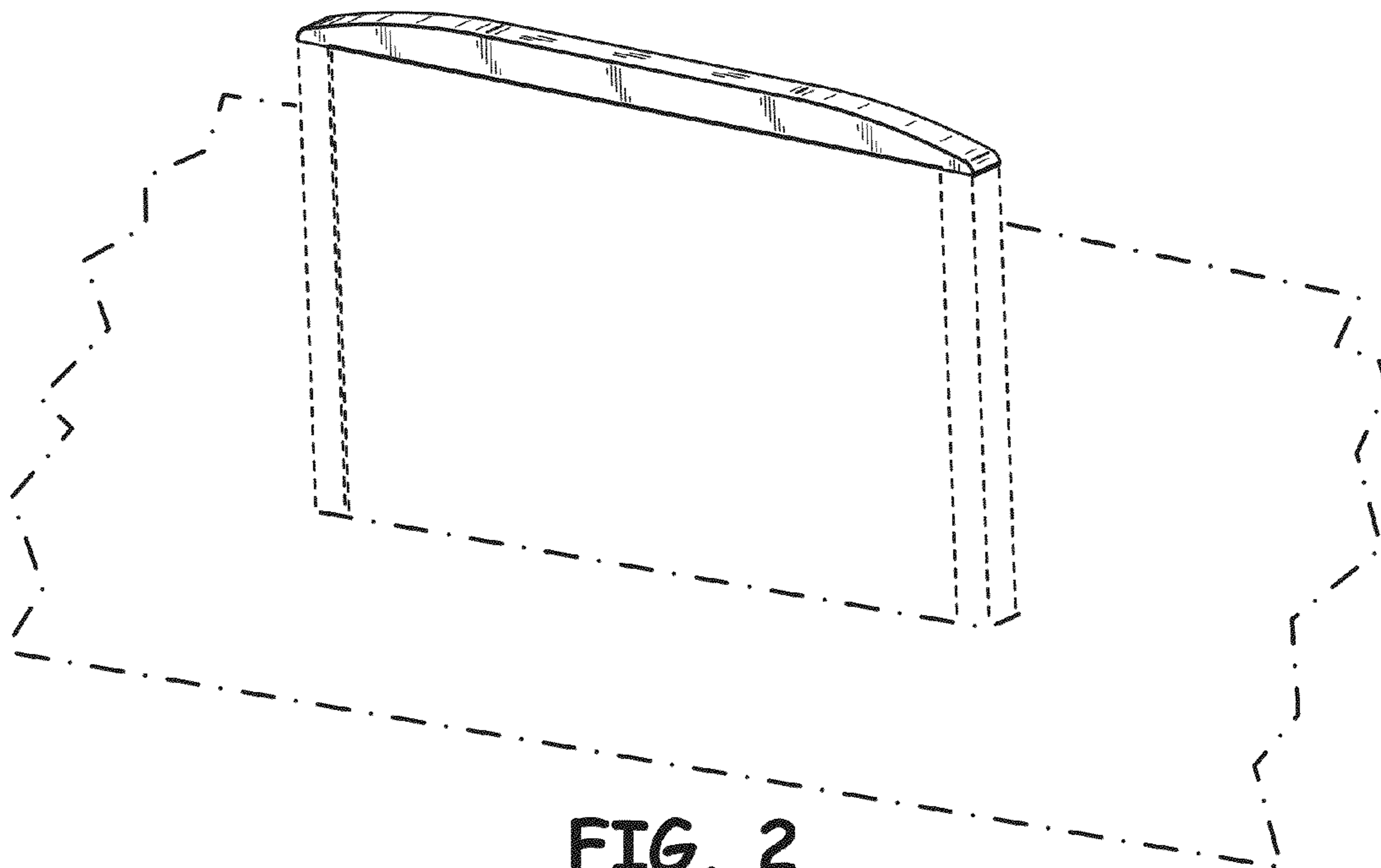


FIG. 2

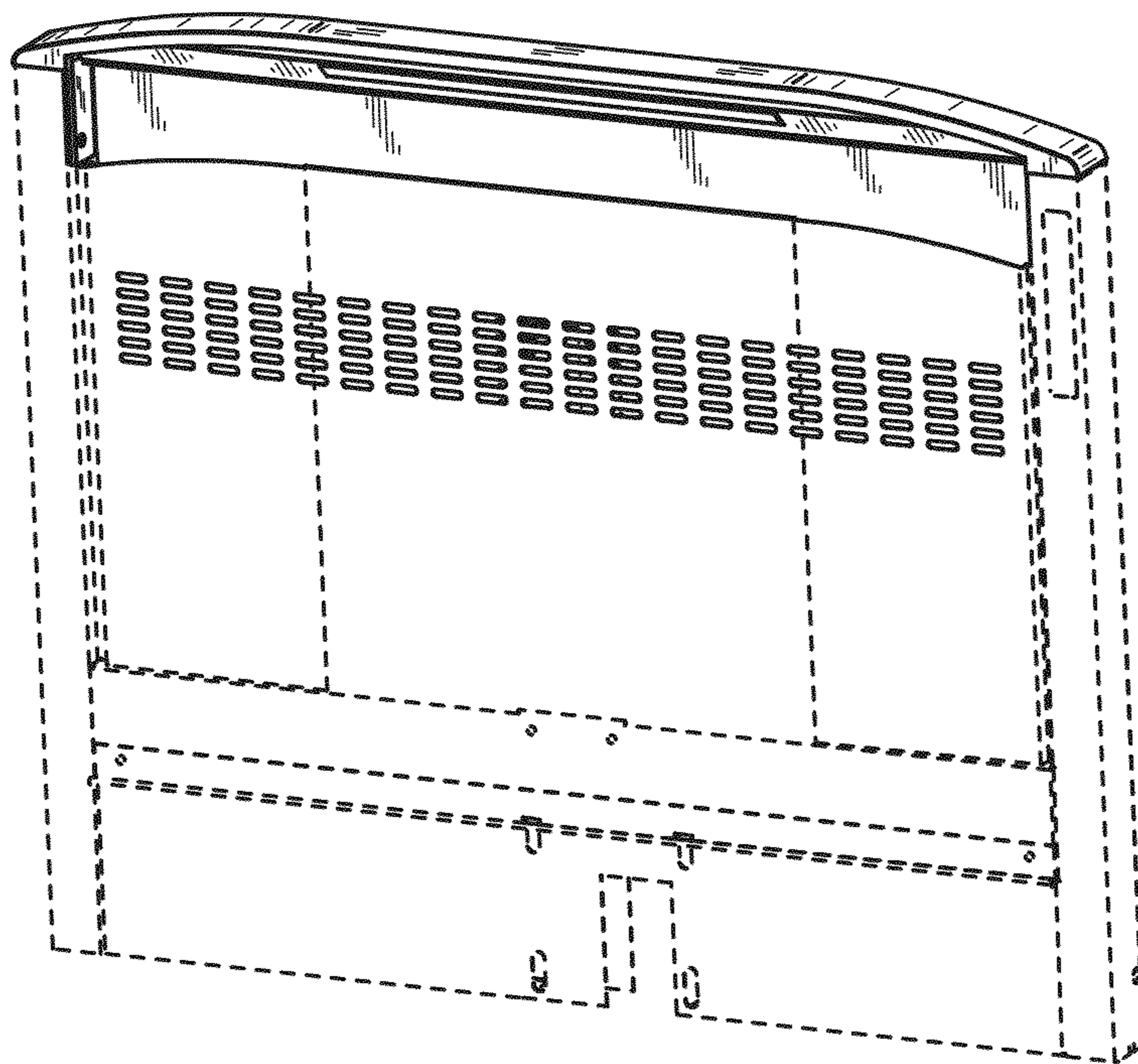


FIG. 3

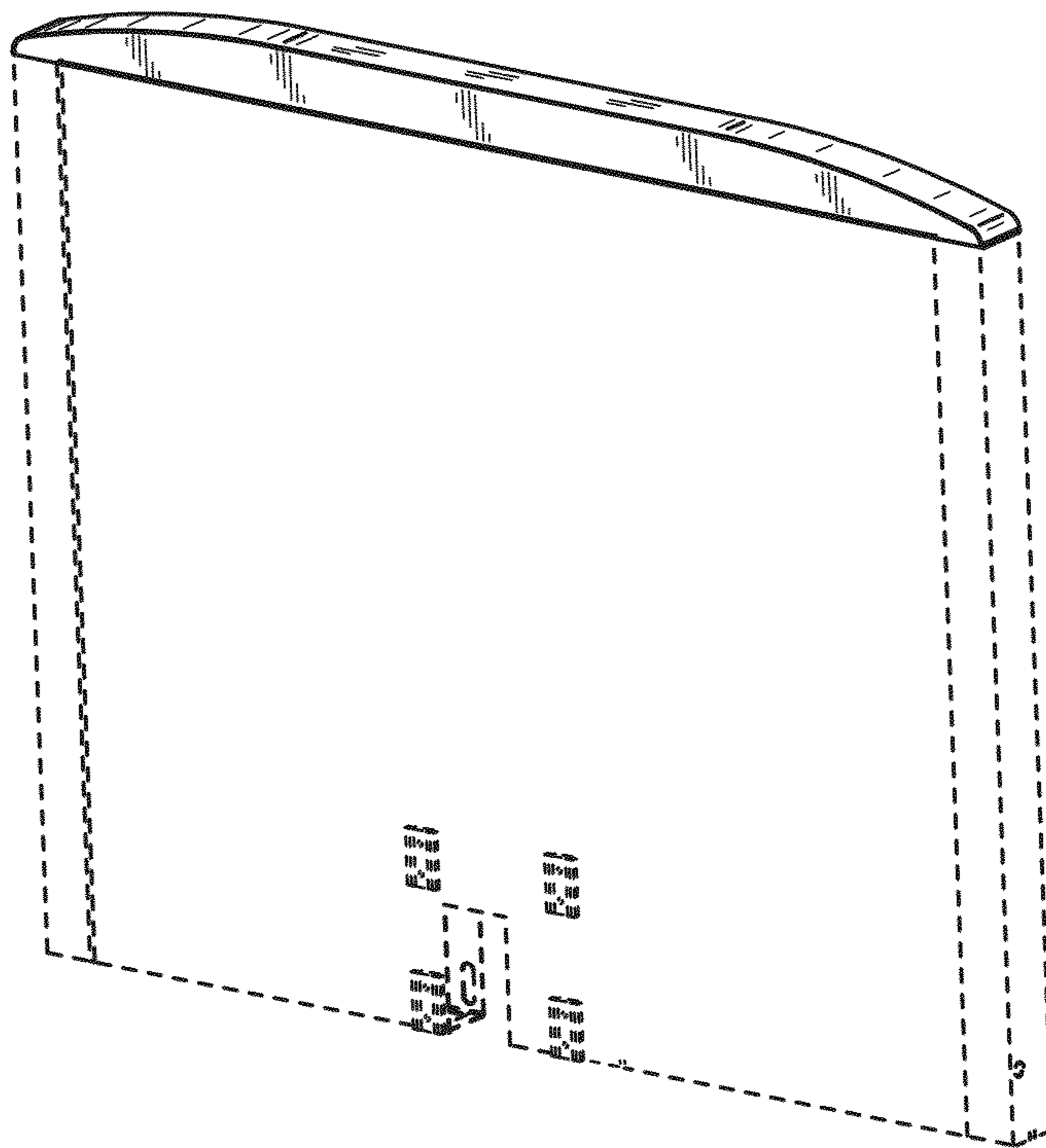


FIG. 4

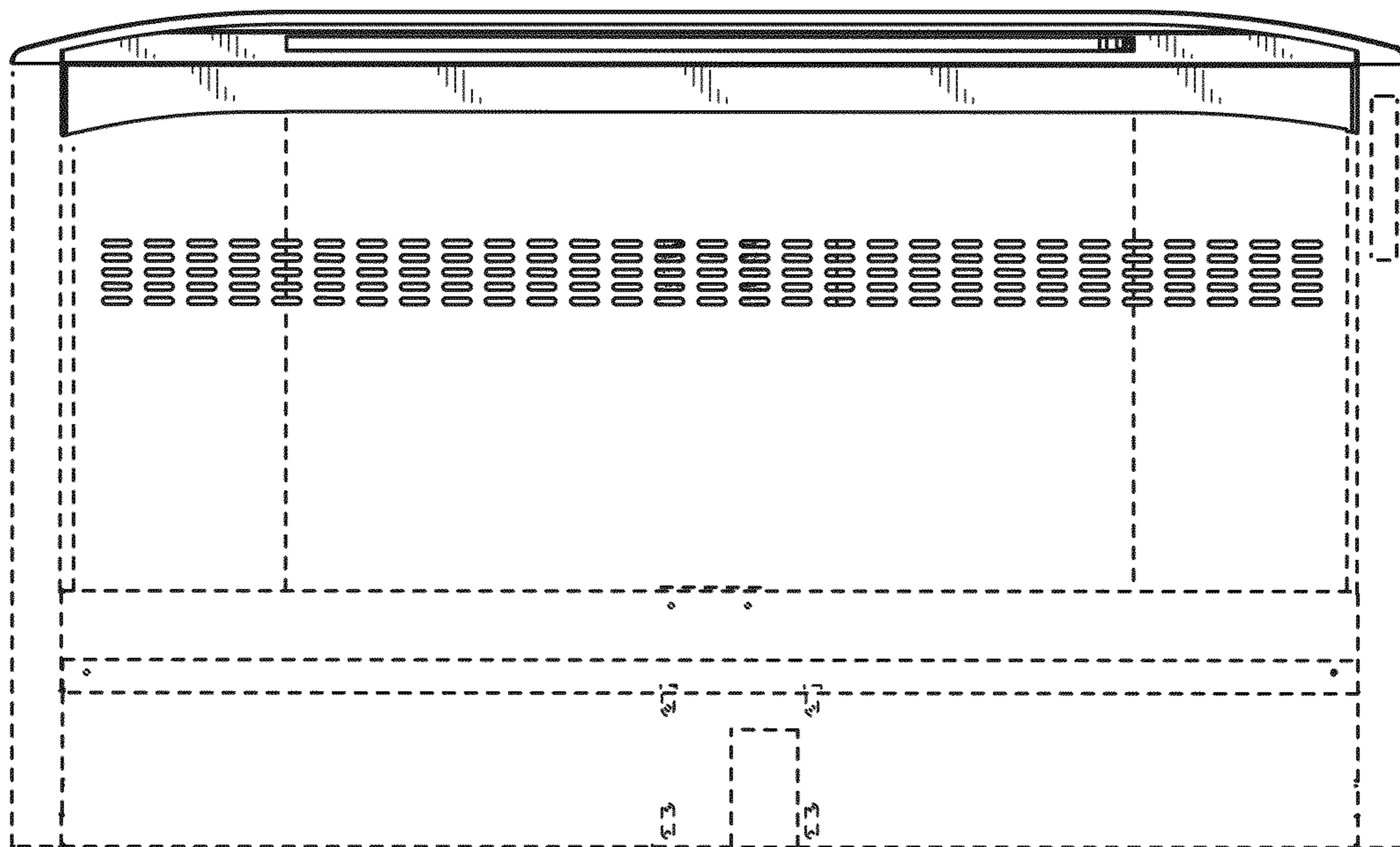


FIG. 5

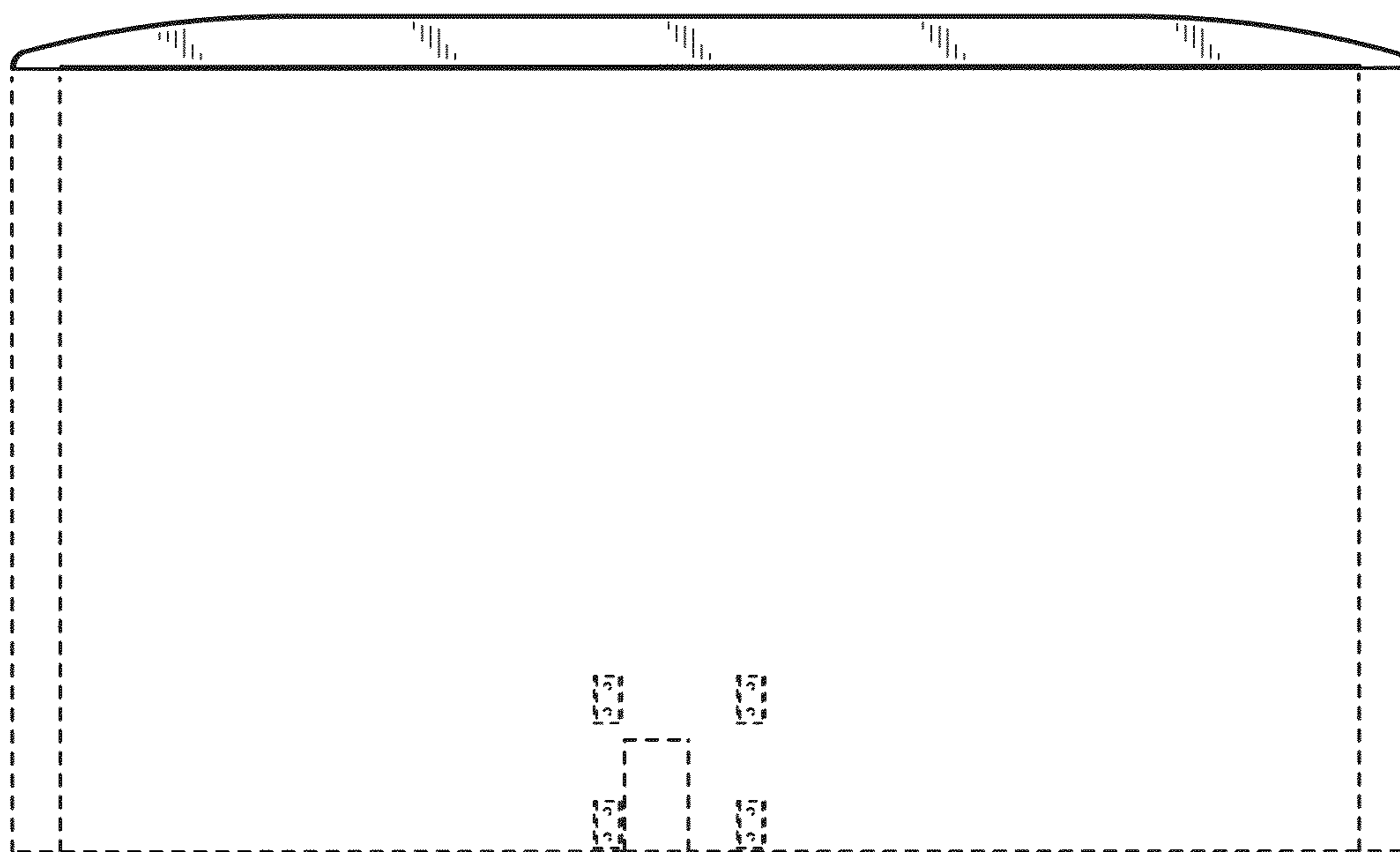


FIG. 6



FIG. 7



FIG. 8



FIG. 9

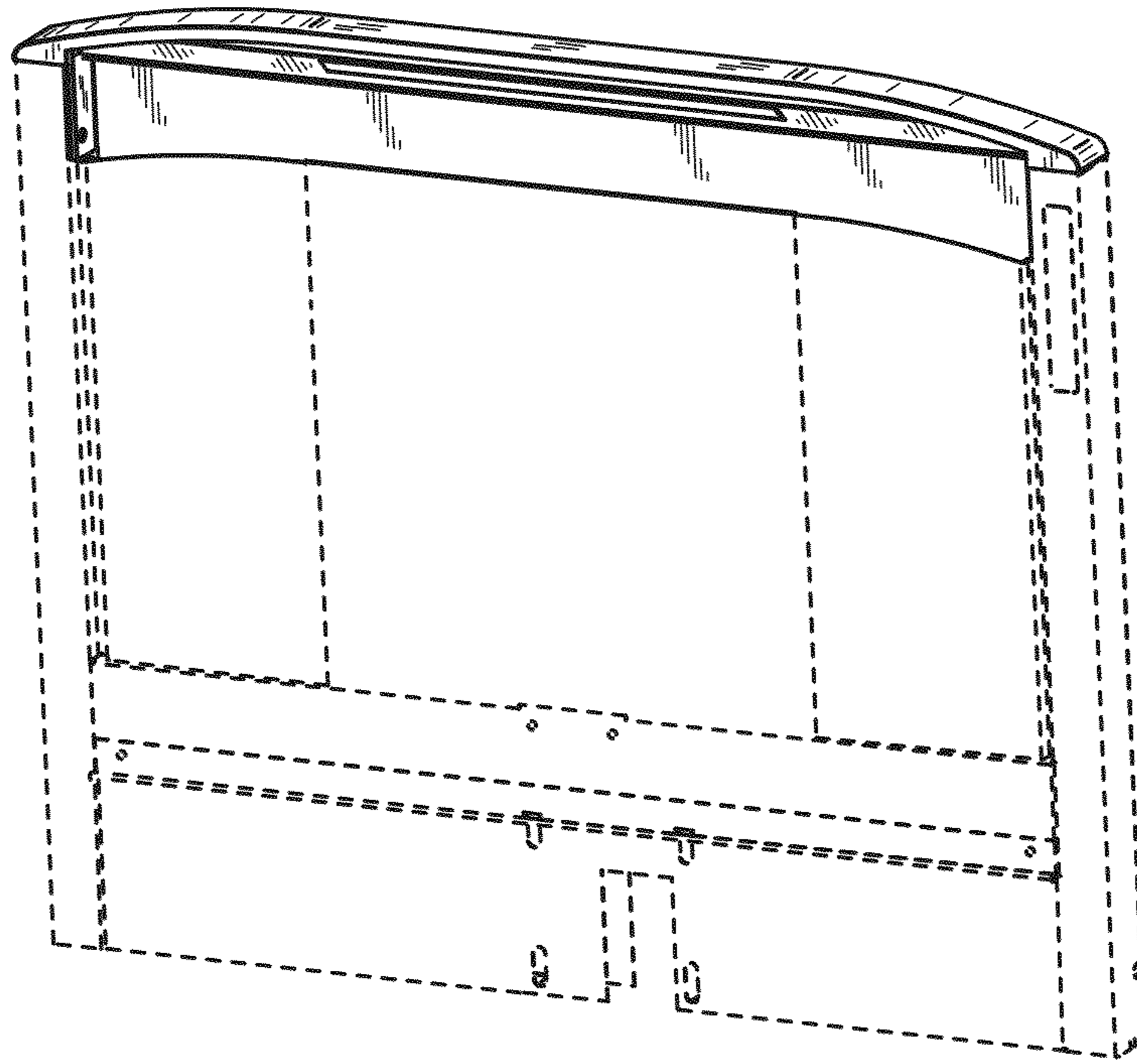


FIG. 10

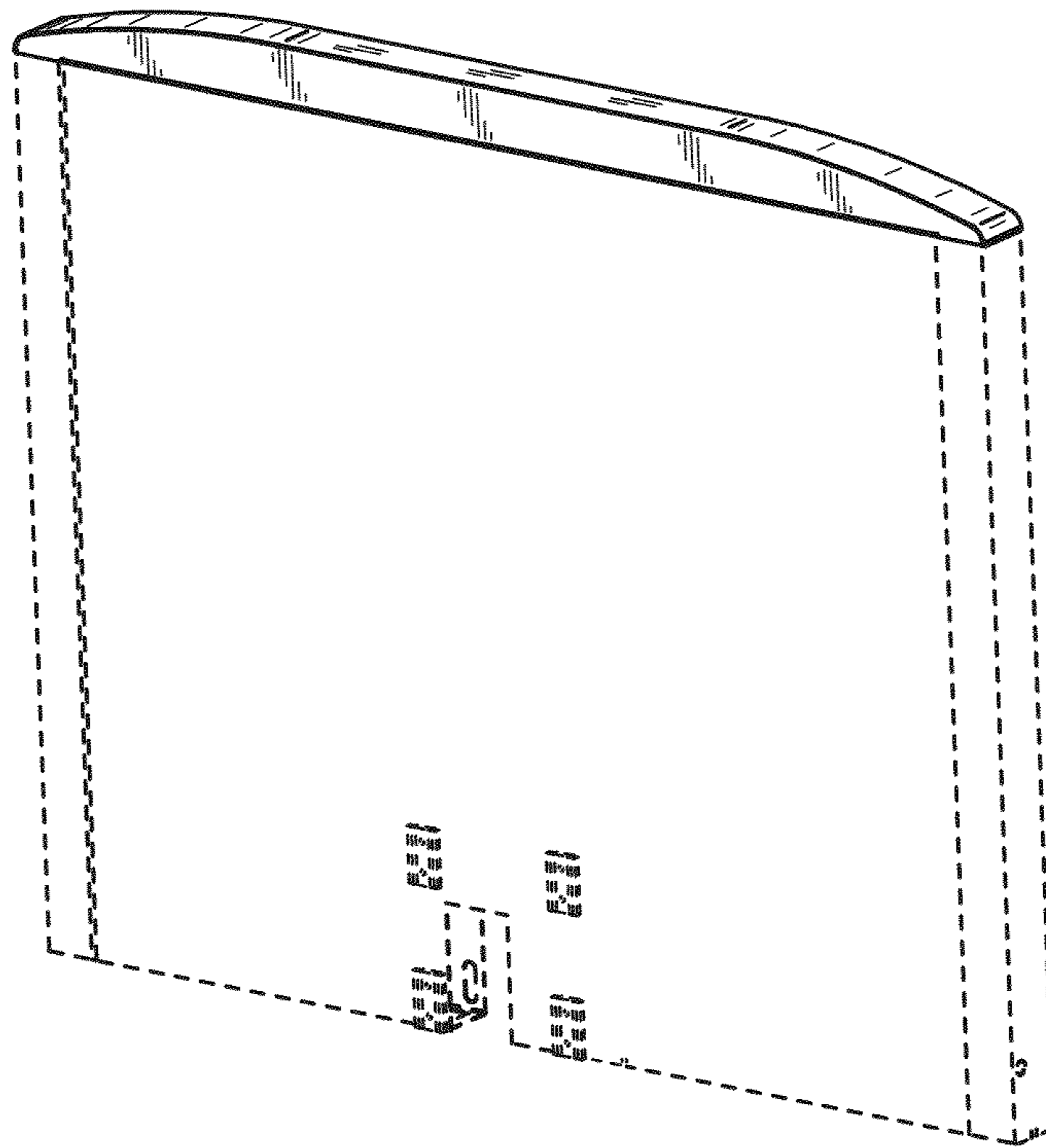


FIG. 11

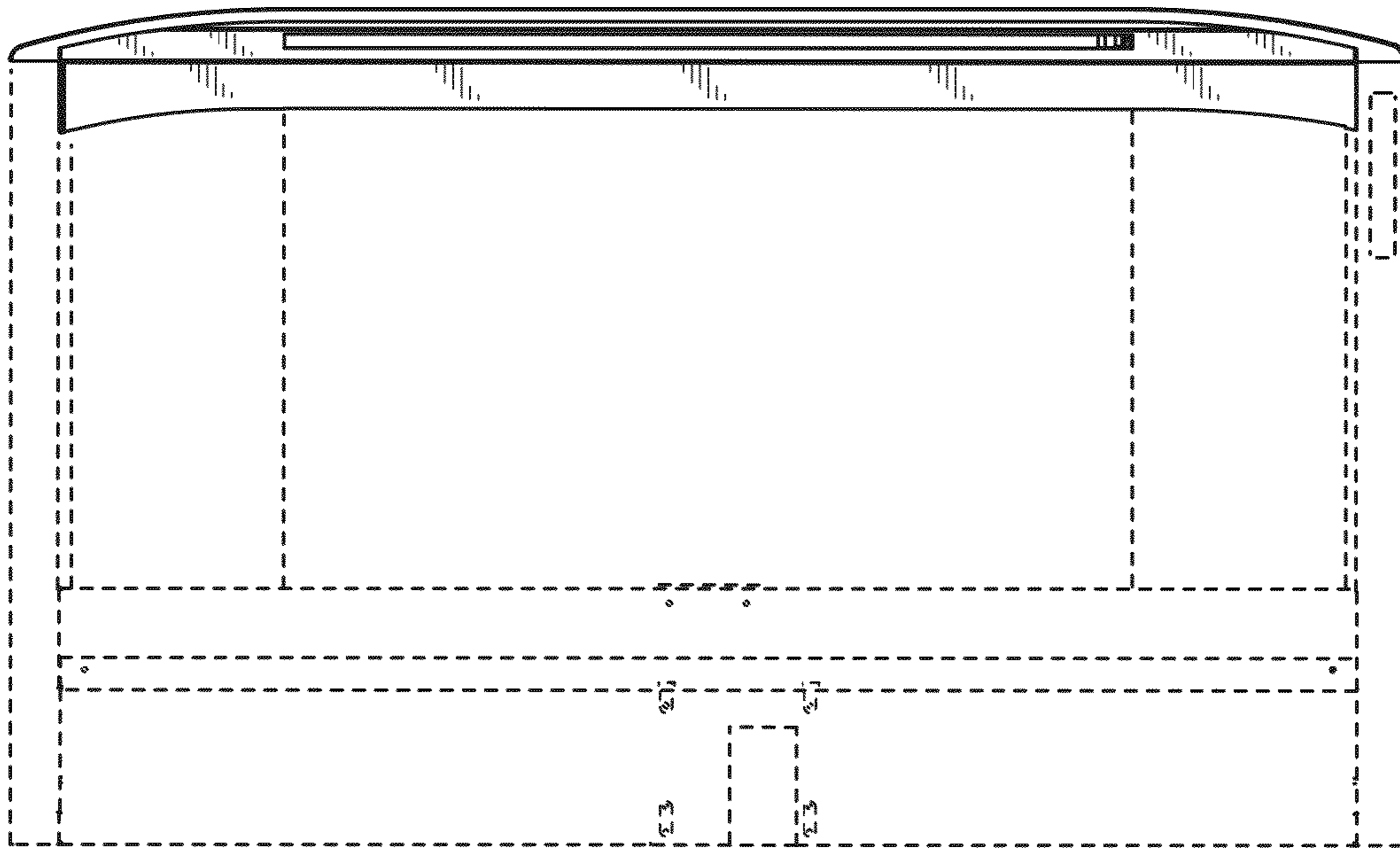


FIG. 12

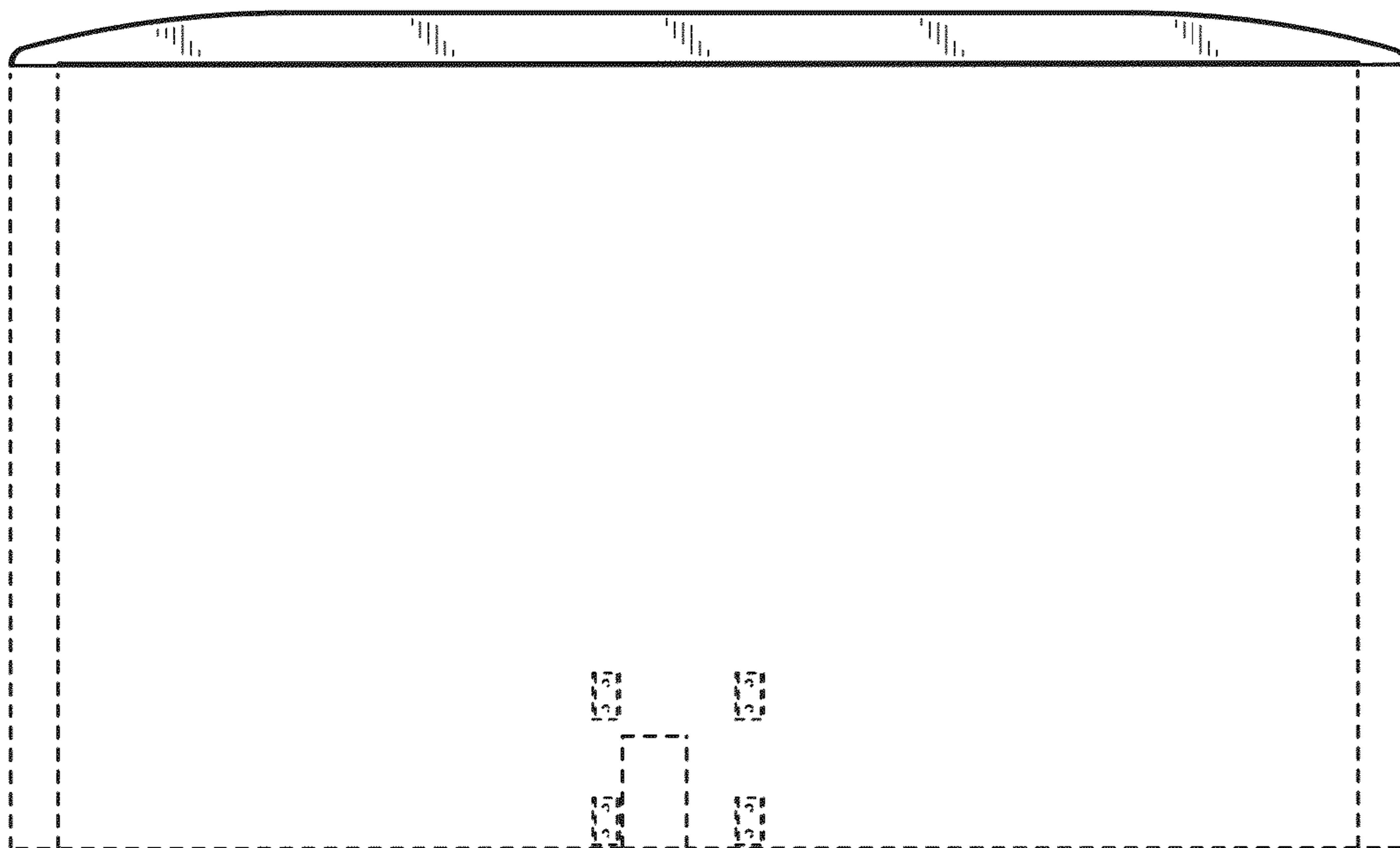


FIG. 13



FIG. 14



FIG. 15



FIG. 16