



US00D736902S

(12) **United States Design Patent**  
**Ryu et al.**

(10) **Patent No.:** **US D736,902 S**  
(45) **Date of Patent:** **\*\* Aug. 18, 2015**

(54) **AIR CLEANER**

(56) **References Cited**

(71) Applicant: **Samsung Electronics Co., Ltd.**,  
Suwon-si, Gyeonggi-do (KR)

U.S. PATENT DOCUMENTS

(72) Inventors: **Jinie Ryu**, Seoul (KR); **Jongchan Kwon**, Yongin-si (KR); **Ji Hyun Moon**, Gwangmyung-si (KR); **YangJic Lee**, Gwanchun-si (KR); **Sangmin Hyun**, Seoul (KR)

D435,096	S	*	12/2000	Meeks et al.	.....	D23/356
D453,822	S	*	2/2002	Meeks et al.	.....	D23/356
D513,014	S	*	12/2005	Seki	.....	D15/81
D589,536	S	*	3/2009	Seki	.....	D15/81
D589,537	S	*	3/2009	Terada et al.	.....	D15/81
D589,538	S	*	3/2009	Kumazawa et al.	.....	D15/81
D597,563	S	*	8/2009	Choi et al.	.....	D15/87
D622,982	S	*	9/2010	Ikeda	.....	D6/472
D629,022	S	*	12/2010	Cho et al.	.....	D15/85
D631,491	S	*	1/2011	Kristiansen et al.	.....	D15/86
D632,315	S	*	2/2011	Garcia et al.	.....	D15/86
D640,713	S	*	6/2011	Kim et al.	.....	D15/87
D647,544	S	*	10/2011	Kristiansen et al.	.....	D15/86

(73) Assignee: **SAMSUNG ELECTRONICS CO., LTD.** (KR)

(\*\*) Term: **14 Years**

(Continued)

(21) Appl. No.: **29/464,225**

*Primary Examiner* — Eric Goodman  
*Assistant Examiner* — Bao-Yen Nguyen

(22) Filed: **Aug. 14, 2013**

(74) *Attorney, Agent, or Firm* — Cantor Colburn LLP

(30) **Foreign Application Priority Data**

(57) **CLAIM**

We claim, the ornamental design for an air cleaner, as shown and described.

Feb. 14, 2013 (KR) ..... 30-2013-0007680

**DESCRIPTION**

(51) **LOC (10) Cl.** ..... **23-04**

FIG. 1 is the front perspective view of an air cleaner showing our new design;

(52) **U.S. Cl.**

USPC ..... **D23/364**

FIG. 2 is the front elevation view thereof;

(58) **Field of Classification Search**

USPC ..... D23/314, 325, 329, 333, 334, 335, 342, D23/355, 356, 358, 359, 364, 386, 387, 388, D23/389, 390, 391; D15/81, 83, 85, 86, 87; D6/656.18, 659, 662, 663, 664.1, 675, D6/675.3, 678.2; D24/234

FIG. 3 is the rear elevation view thereof;

CPC ..... A61L 9/00; A61L 9/20; A61L 9/205; A61L 9/01; A61L 9/015; A61L 9/14; A61L 9/16; F24F 1/00; F24F 3/16; F24F 3/166; F24F 3/1603; F24F 3/14; F24F 3/12; F24F 7/00; B03C 1/00; B03C 3/32; B03C 3/15; B03C 3/155; B03C 3/16; B01D 23/00

FIG. 4 is the left-side elevation view thereof;

FIG. 5 is the right-side elevation view thereof;

FIG. 6 is the top-side plan view thereof;

FIG. 7 is the bottom-side plan view thereof;

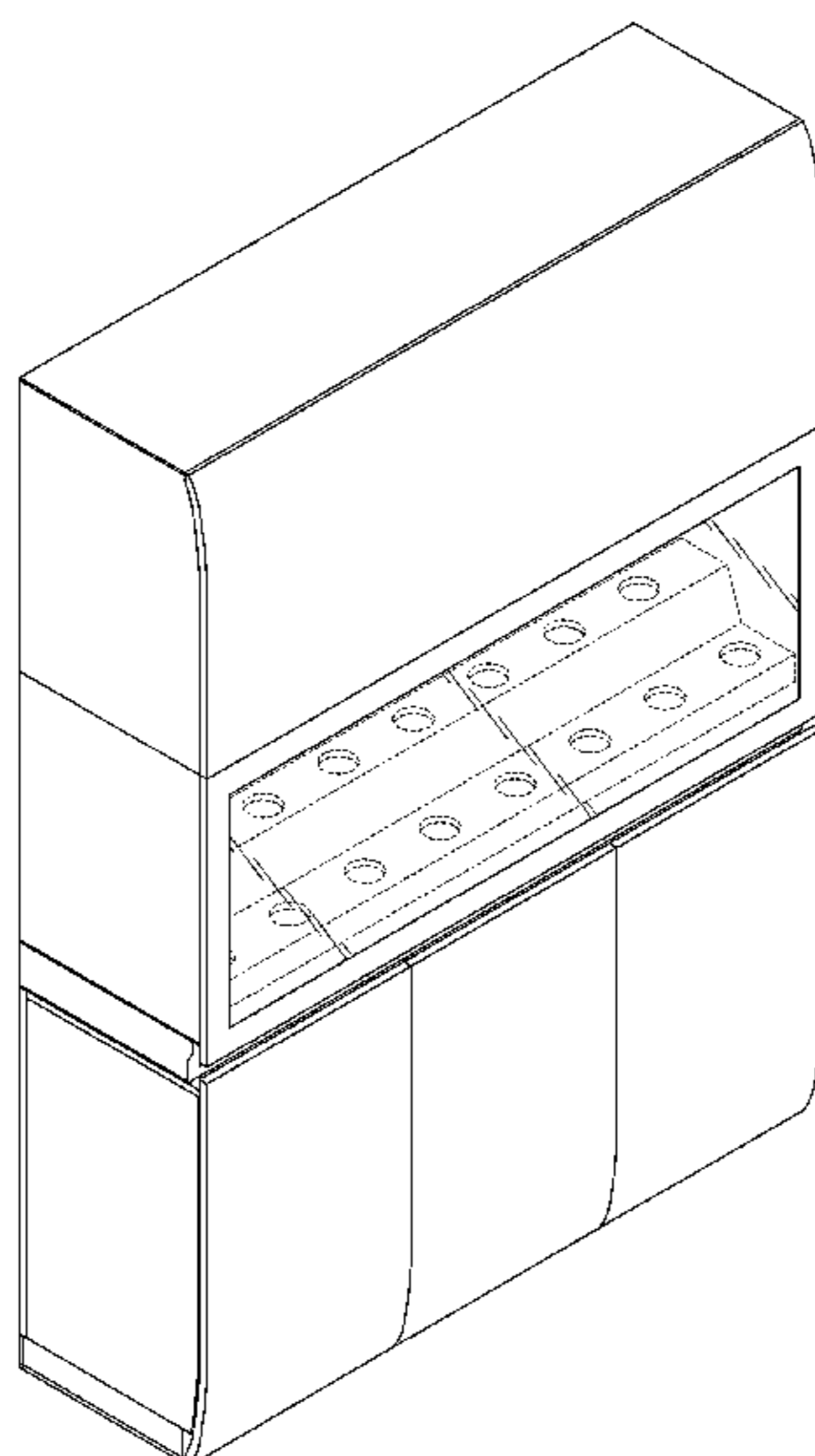
FIG. 8 is the front perspective view thereof, with drawers of the air cleaner opened; and,

FIG. 9 is the front perspective view thereof, with a door of the air cleaner being shown in another position and the inside shelf extended.

The broken lines illustrating portions of the air cleaner are for environmental purposes only and form no part of the claimed design.

See application file for complete search history.

**1 Claim, 8 Drawing Sheets**



(56)

**References Cited**

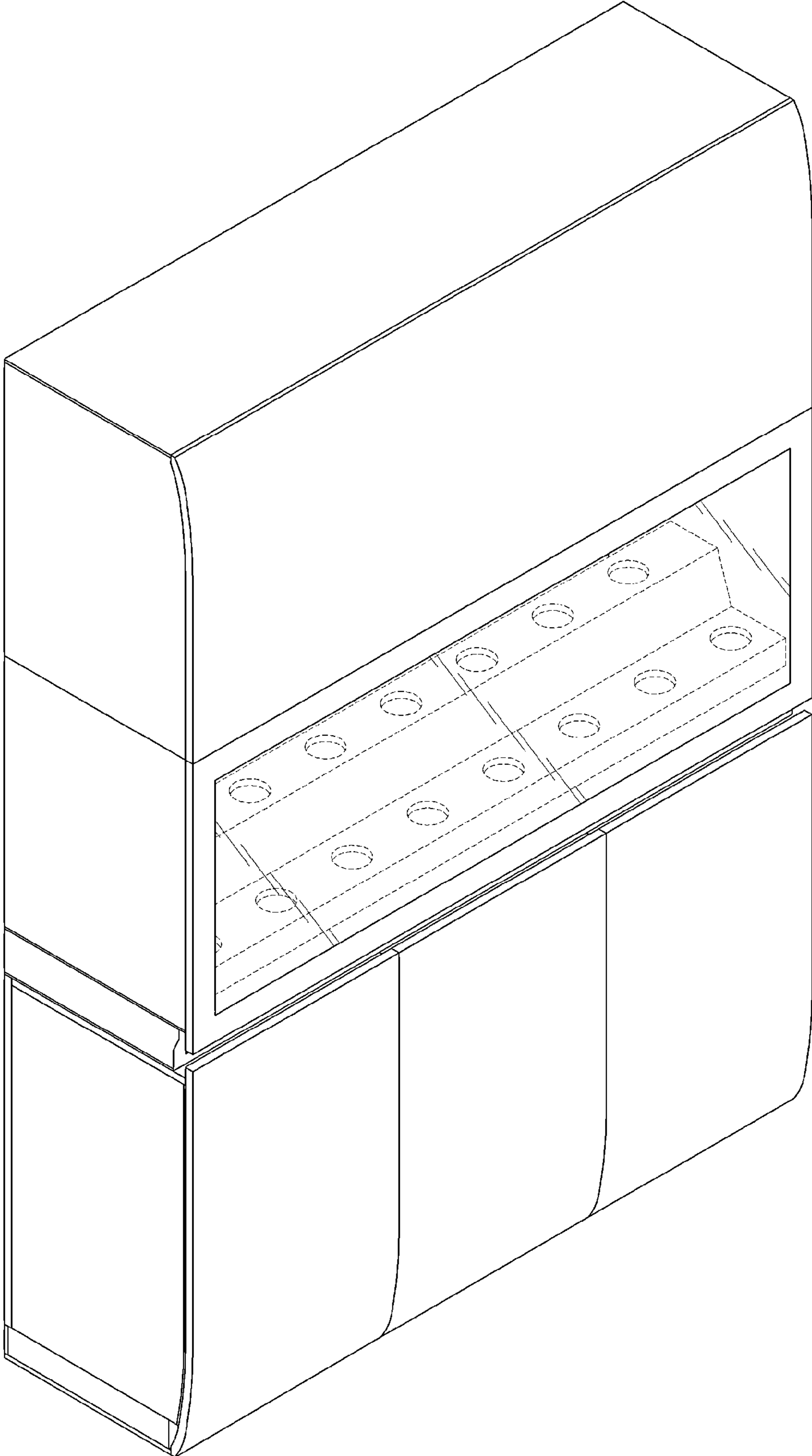
U.S. PATENT DOCUMENTS

D714,364 S \* 9/2014 Jeon et al. .... D15/86  
D721,746 S \* 1/2015 Ryu et al. .... D15/86  
2004/0081596 A1\* 4/2004 Hsi ..... 422/186.3  
2007/0264923 A1\* 11/2007 Cesar Galobardes et al. .. 454/56

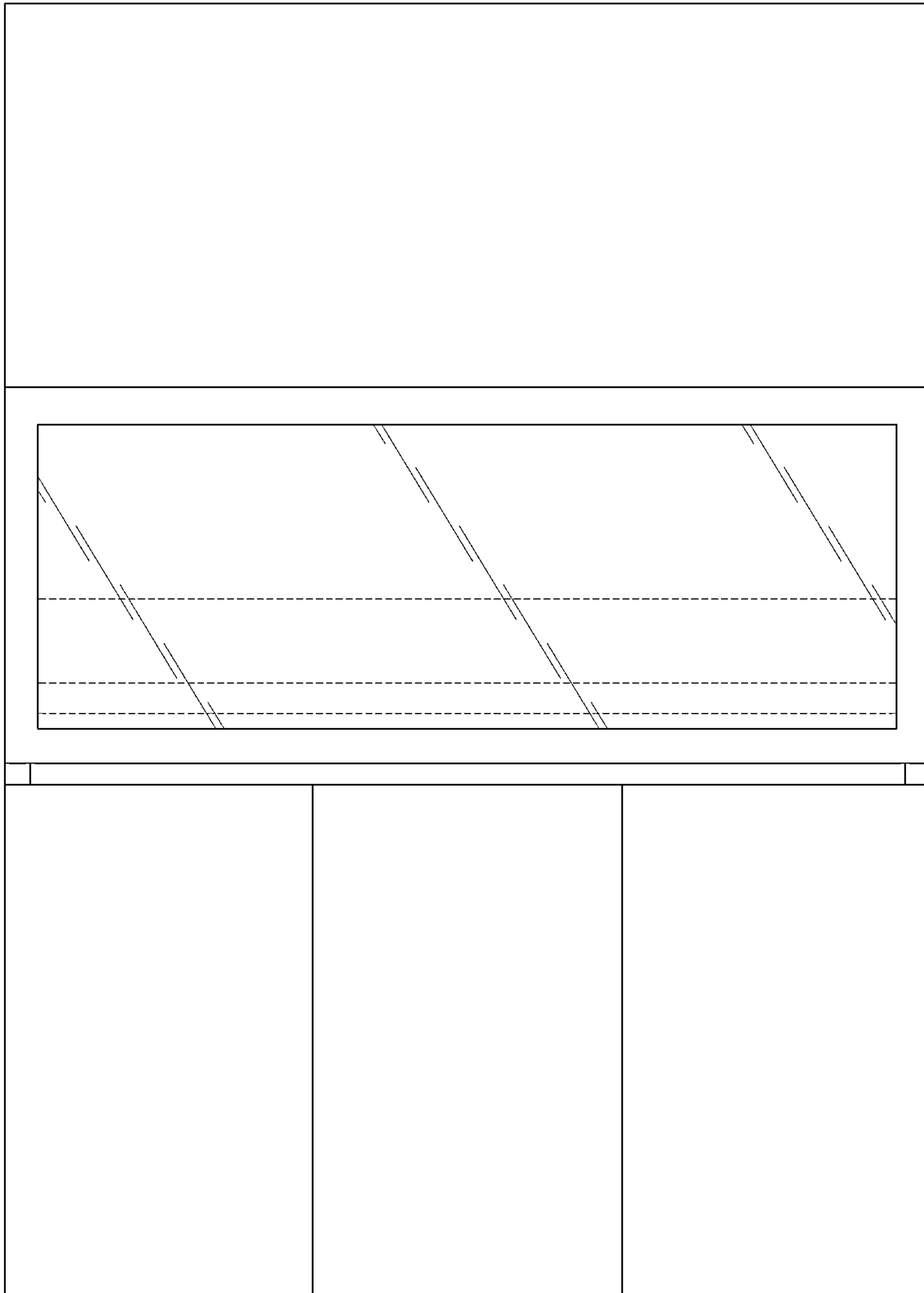
2007/0287375 A1\* 12/2007 Shuen ..... 454/187  
2007/0290586 A1\* 12/2007 Rosete et al. .... 312/236  
2008/0278042 A1\* 11/2008 McCarthy et al. .... 312/209  
2008/0278047 A1\* 11/2008 Diemel et al. .... 312/245  
2009/0277209 A1\* 11/2009 Jang et al. .... 62/441  
2011/0232504 A1\* 9/2011 Fiori ..... 99/467

\* cited by examiner

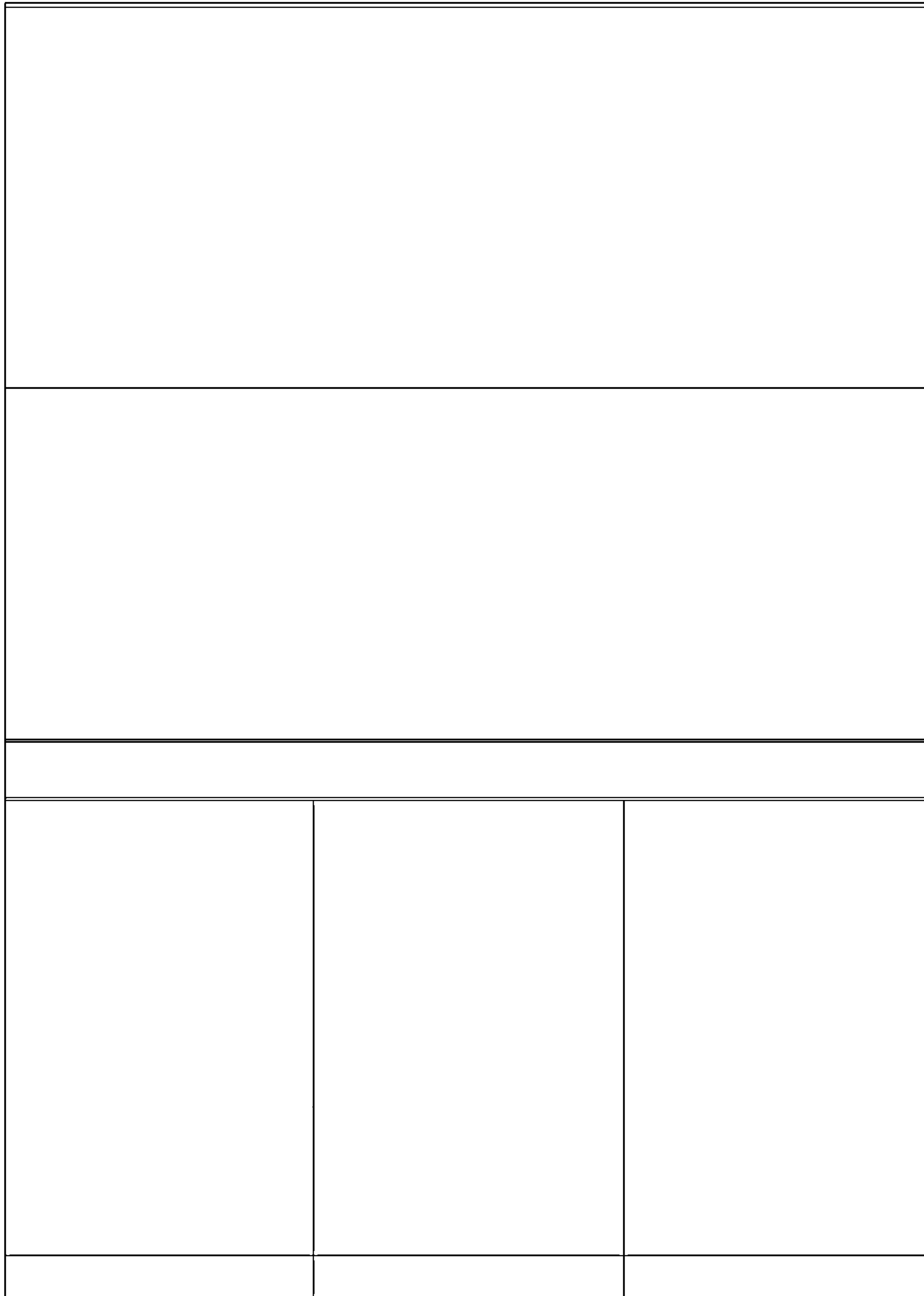
FIG. 1



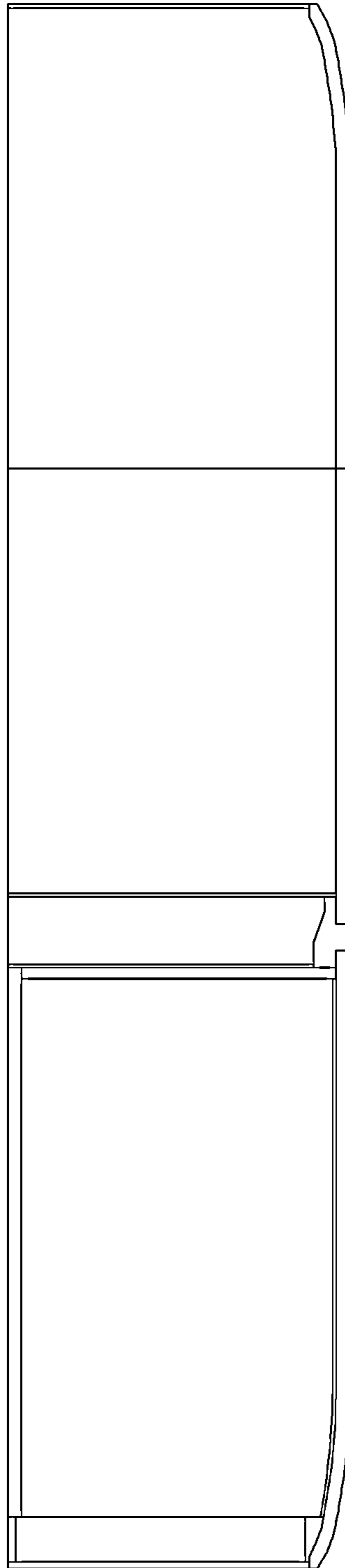
**FIG. 2**



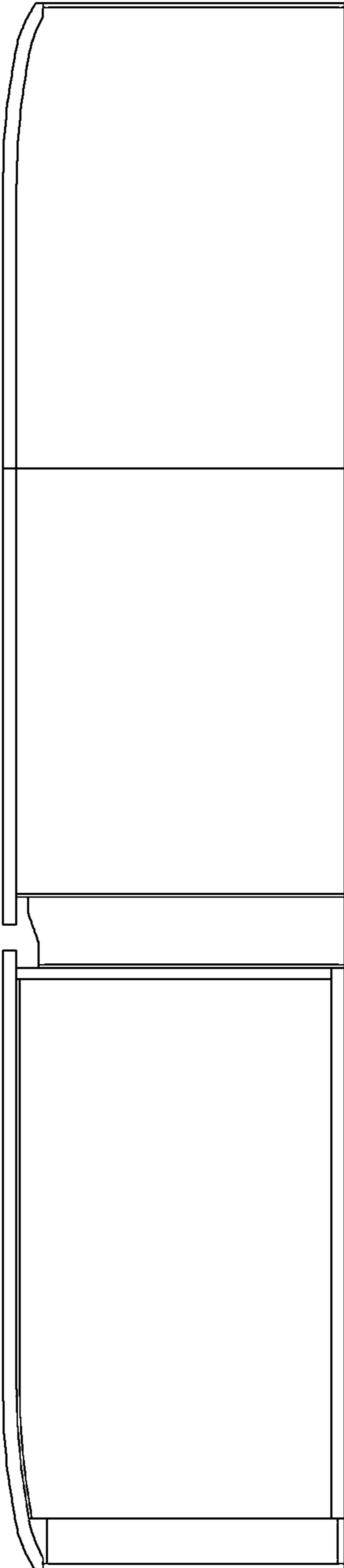
**FIG. 3**



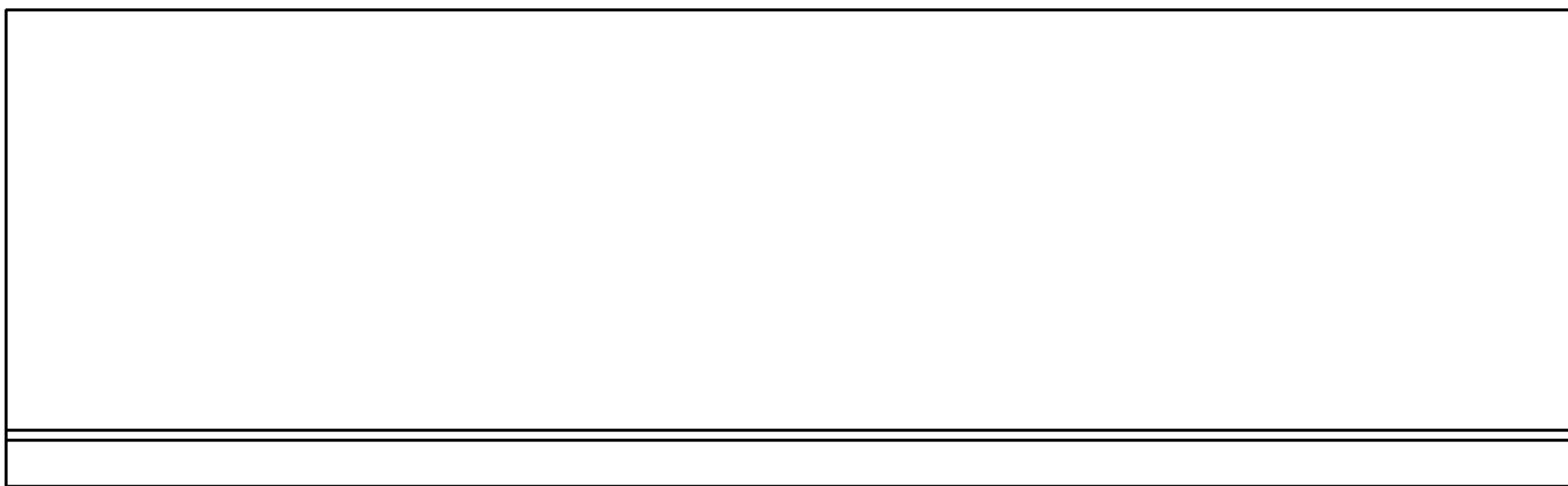
**FIG. 4**



**FIG. 5**



**FIG. 6**



**FIG. 7**

A table with three columns and two rows. The top row consists of three empty cells. The bottom row also consists of three empty cells. The table is defined by thin black lines.



**FIG. 8**

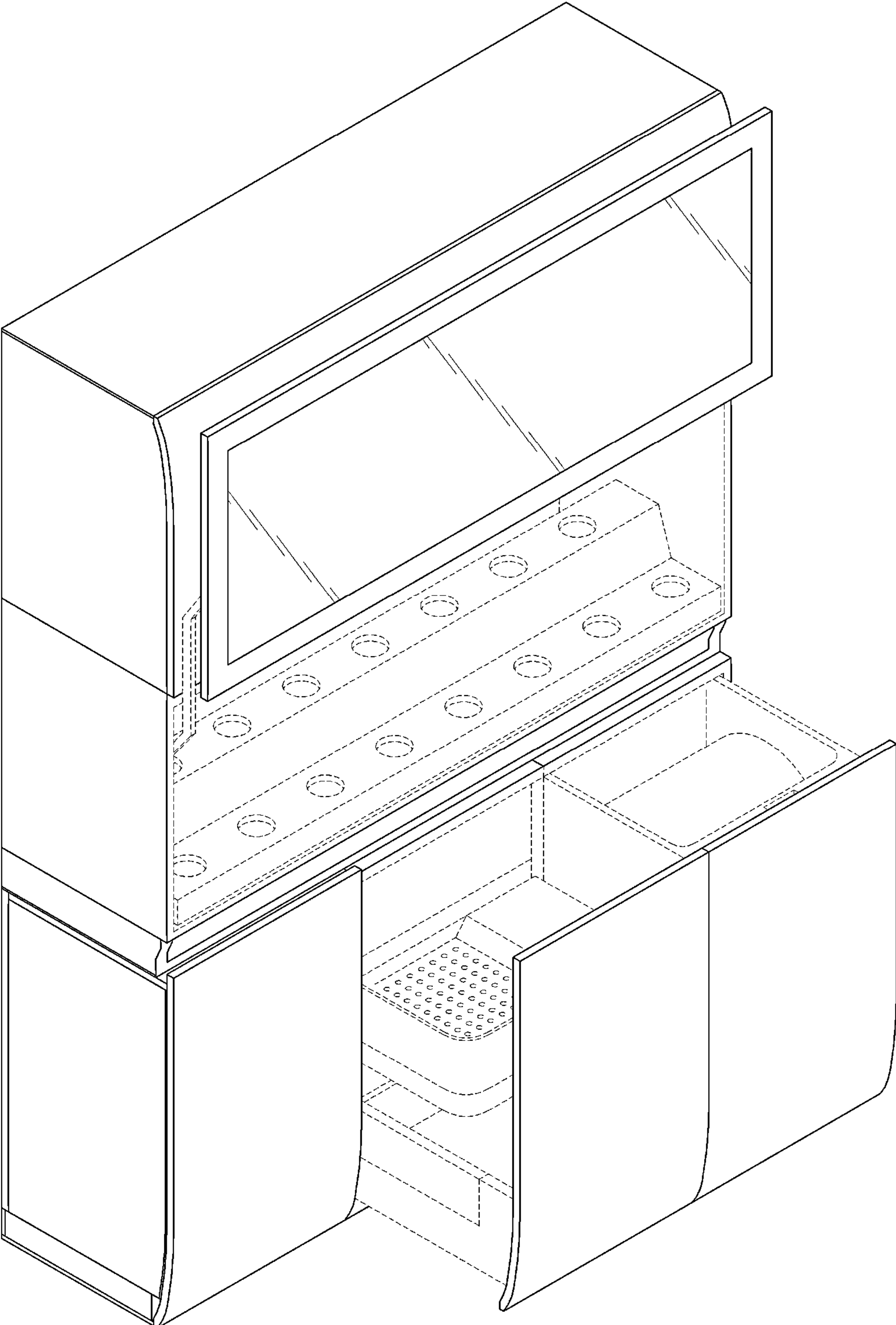


FIG. 9

