



US00D736901S

(12) **United States Design Patent**  
**Kouketsu et al.**

(10) **Patent No.:** **US D736,901 S**  
(45) **Date of Patent:** **\*\* Aug. 18, 2015**

(54) **VAPORIZATION DEVICE FOR A  
VAPORIZATION UNIT OF A LIQUID  
CONTROL APPARATUS**

(71) Applicant: **CKD CORPORATION**, Aichi (JP)

(72) Inventors: **Masayuki Kouketsu**, Tokyo (JP);  
**Hiroshi Itafuji**, Komaki (JP); **Masayo  
Okada**, Kasugai (JP)

(73) Assignee: **CKD Corporation**, Aichi (JP)

(\*\*) Term: **14 Years**

(21) Appl. No.: **29/441,792**

(22) Filed: **Jan. 9, 2013**

(30) **Foreign Application Priority Data**

Jul. 12, 2012 (JP) ..... 2012-016609

(51) **LOC (10) Cl.** ..... **23-04**

(52) **U.S. Cl.**  
USPC ..... **D23/360**

(58) **Field of Classification Search**

USPC ..... D23/355, 359, 360, 364, 365, 386, 392,  
D23/393, 401; D6/663, 667, 675; D5/1-3  
CPC ..... A47C 1/02; A47C 7/24; A47C 17/00;  
A47C 17/02; A47C 17/04; A47C 17/045;  
A47C 17/12; A47C 17/132; A47C 17/136

See application file for complete search history.

(56) **References Cited**

**U.S. PATENT DOCUMENTS**

D402,356 S \* 12/1998 Hodge ..... D23/365  
6,033,453 A \* 3/2000 Weddell, III ..... 55/493

(Continued)

*Primary Examiner* — Sandra Snapp

(74) *Attorney, Agent, or Firm* — Patterson Thuent  
Pedersen, P.A.

(57) **CLAIM**

The ornamental design for a vaporization device for a vaporization unit of a liquid control apparatus, as shown and described.

**DESCRIPTION**

FIG. 1 is a perspective view of a vaporization device for a vaporization unit of a liquid control apparatus showing our new design;

FIG. 2 is a front view thereof;

FIG. 3 is a rear view thereof;

FIG. 4 is a top plan view thereof;

FIG. 5 is a cross-sectional view taken along line 5-5 in FIG. 2; FIG. 6 is an enlarged view of the portion indicated by line 6-6 in FIG. 2;

FIG. 7 is an enlarged view of the portion indicated by line 7-7 in FIG. 2;

FIG. 8 is an enlarged view of the portion indicated by line 8-8 in FIG. 3;

FIG. 9 is an enlarged view of the portion indicated by line 9-9 in FIG. 3;

FIG. 10 is an enlarged view of the portion indicated by line 10-10 in FIG. 6;

FIG. 11 is an enlarged view of the portion indicated by line 11-11 in FIG. 6;

FIG. 12 is an enlarged view of the portion indicated by line 12-12 in FIG. 7;

FIG. 13 is an enlarged view of the portion indicated by line 13-13 in FIG. 7;

FIG. 14 is an enlarged view of the portion indicated by line 14-14 in FIG. 8;

FIG. 15 is an enlarged view of the portion indicated by line 15-15 in FIG. 8;

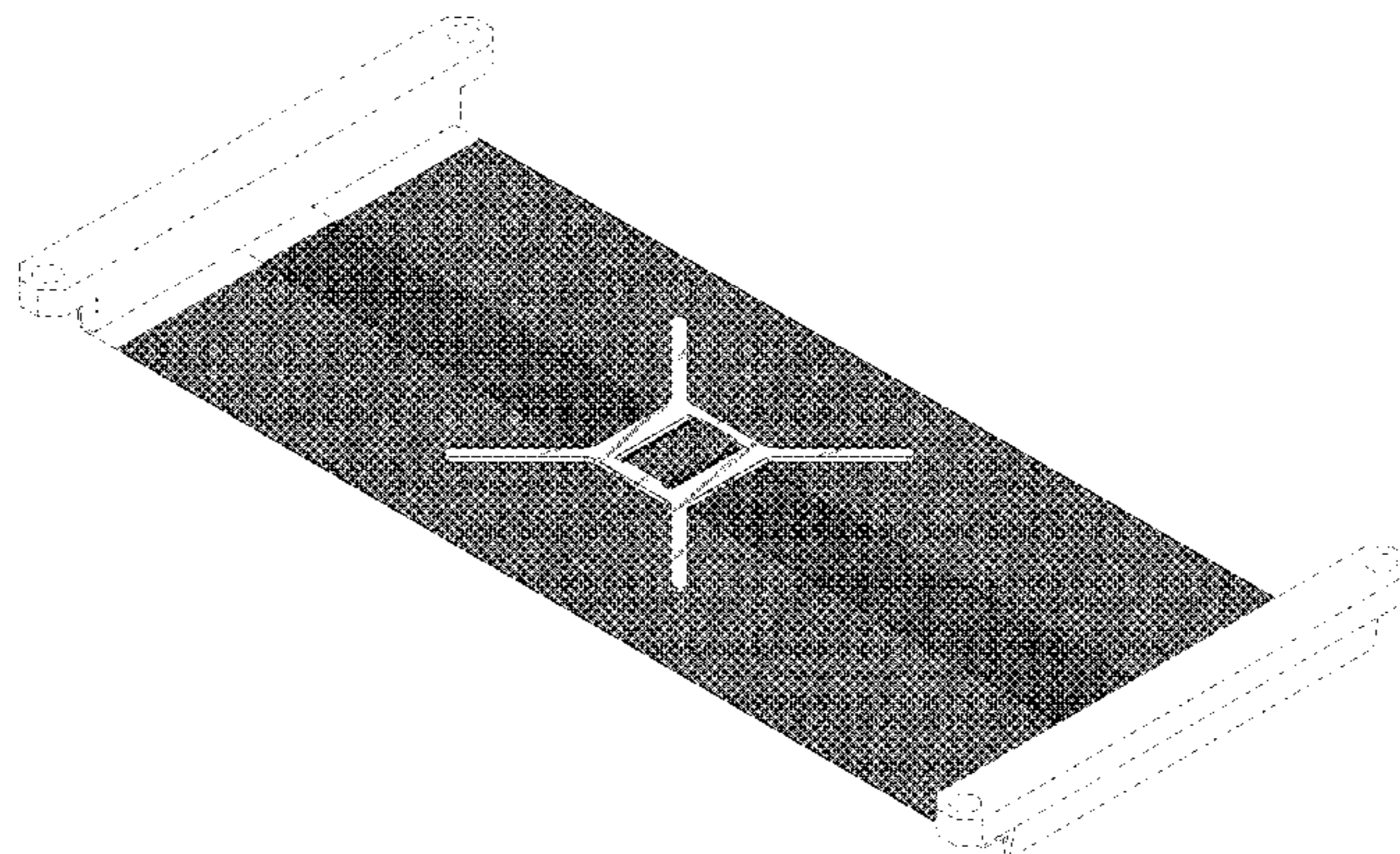
FIG. 16 is an enlarged view of the portion indicated by line 16-16 in FIG. 9;

FIG. 17 is an enlarged view of the portion indicated by line 17-17 in FIG. 9; and,

FIG. 18 is a referential view depicting the article with surrounding environmental structure.

The features shown in broken lines in the drawings depict environmental subject matter only and form no part of the claimed design.

**1 Claim, 18 Drawing Sheets**



# US D736,901 S

Page 2

---

(56)

## References Cited

### U.S. PATENT DOCUMENTS

6,328,778	B1 *	12/2001	Richerson et al. ....	55/475	D675,178	S *	1/2013	Kim .....	D14/138 G
6,740,137	B2 *	5/2004	Kubokawa et al. ....	55/521	D676,120	S *	2/2013	Komori et al. ....	D23/365
7,169,202	B2 *	1/2007	Kubokawa .....	55/495	D676,121	S *	2/2013	Komori et al. ....	D23/365
D616,960	S *	6/2010	Konkey .....	D23/209	D679,792	S *	4/2013	Hollingsworth .....	D23/365
					D705,411	S *	5/2014	Enstrom et al. ....	D23/365
					D708,729	S *	7/2014	Platt .....	D23/365
					2008/0276805	A1 *	11/2008	Lotgerink-Bruinenberg ....	96/75

\* cited by examiner

*FIG. 1*

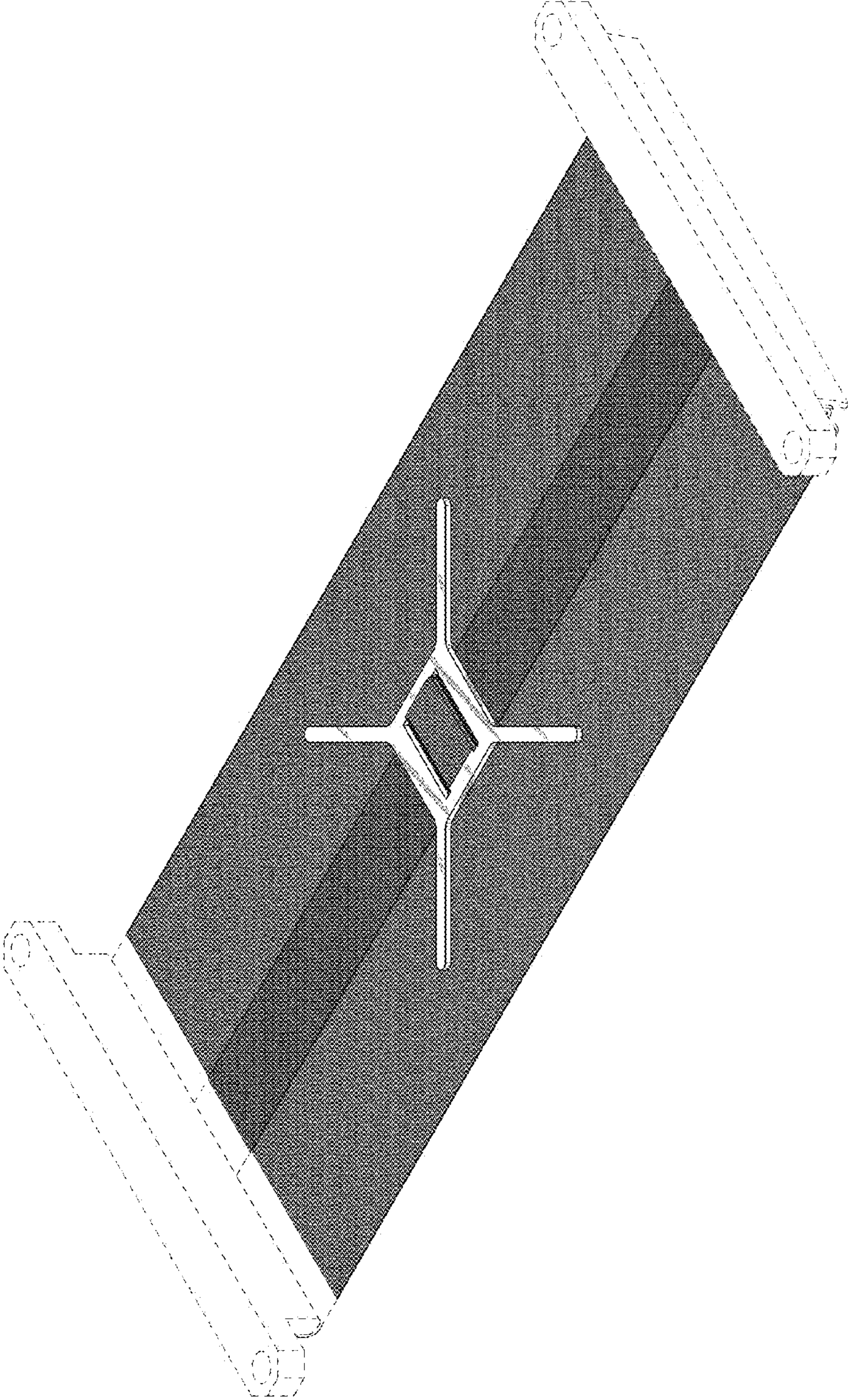
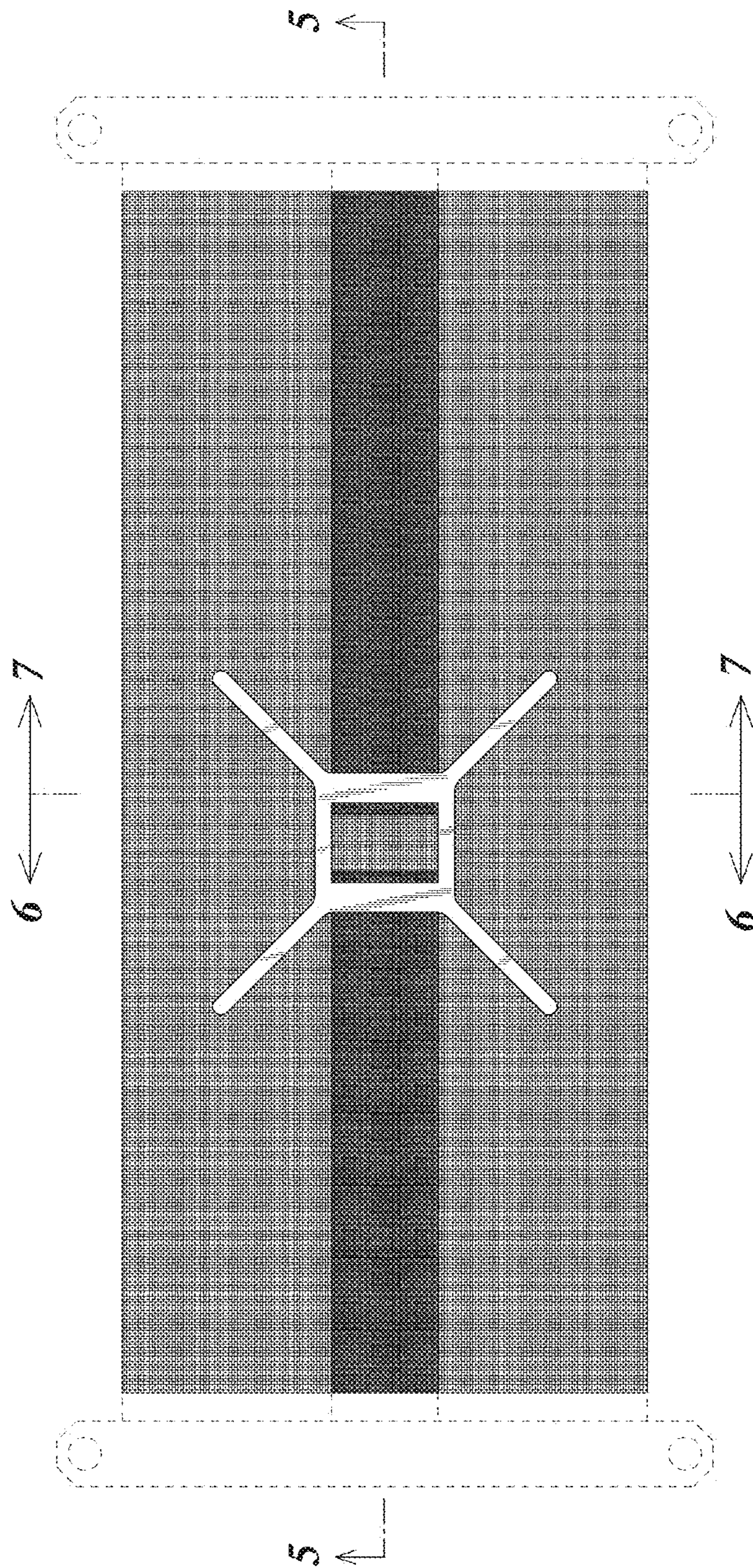
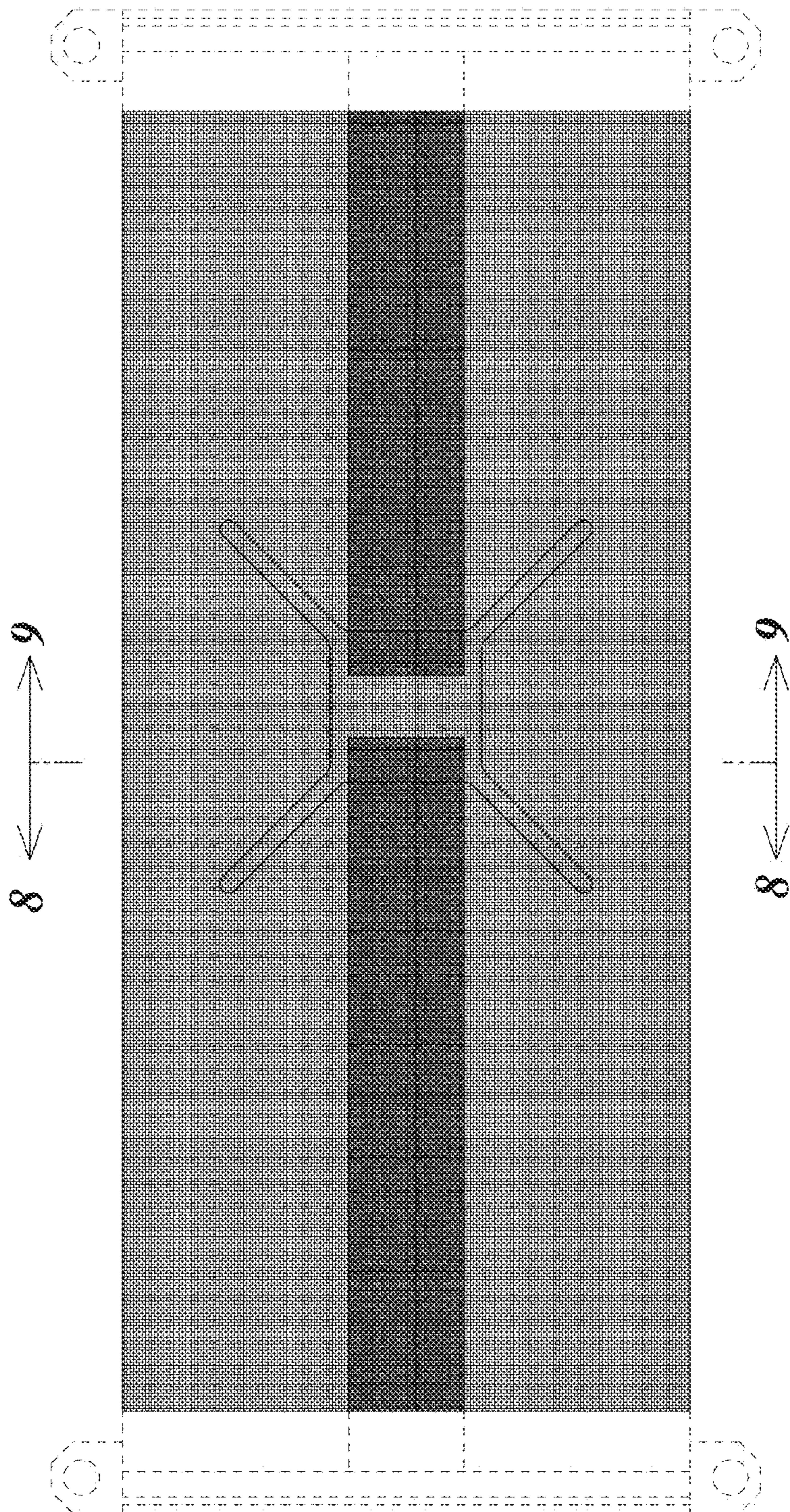


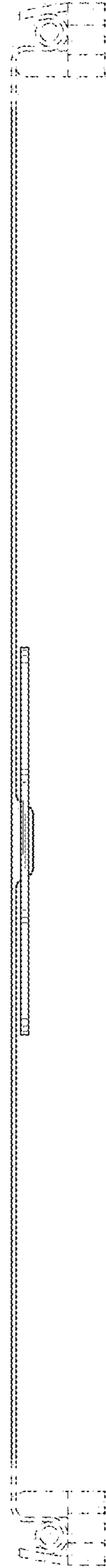
FIG. 2



*FIG. 3*



**FIG. 4**



**FIG. 5**



FIG. 6

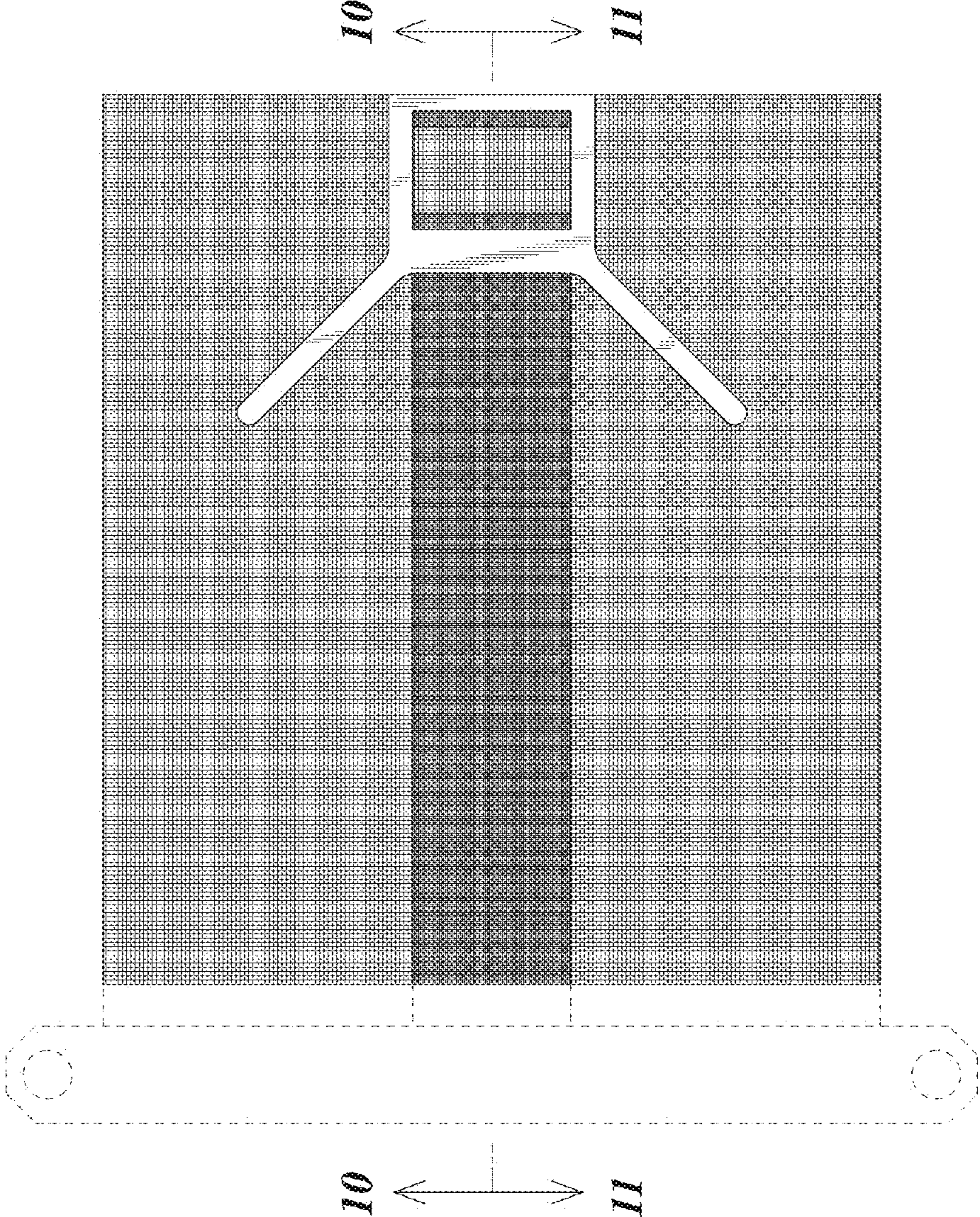
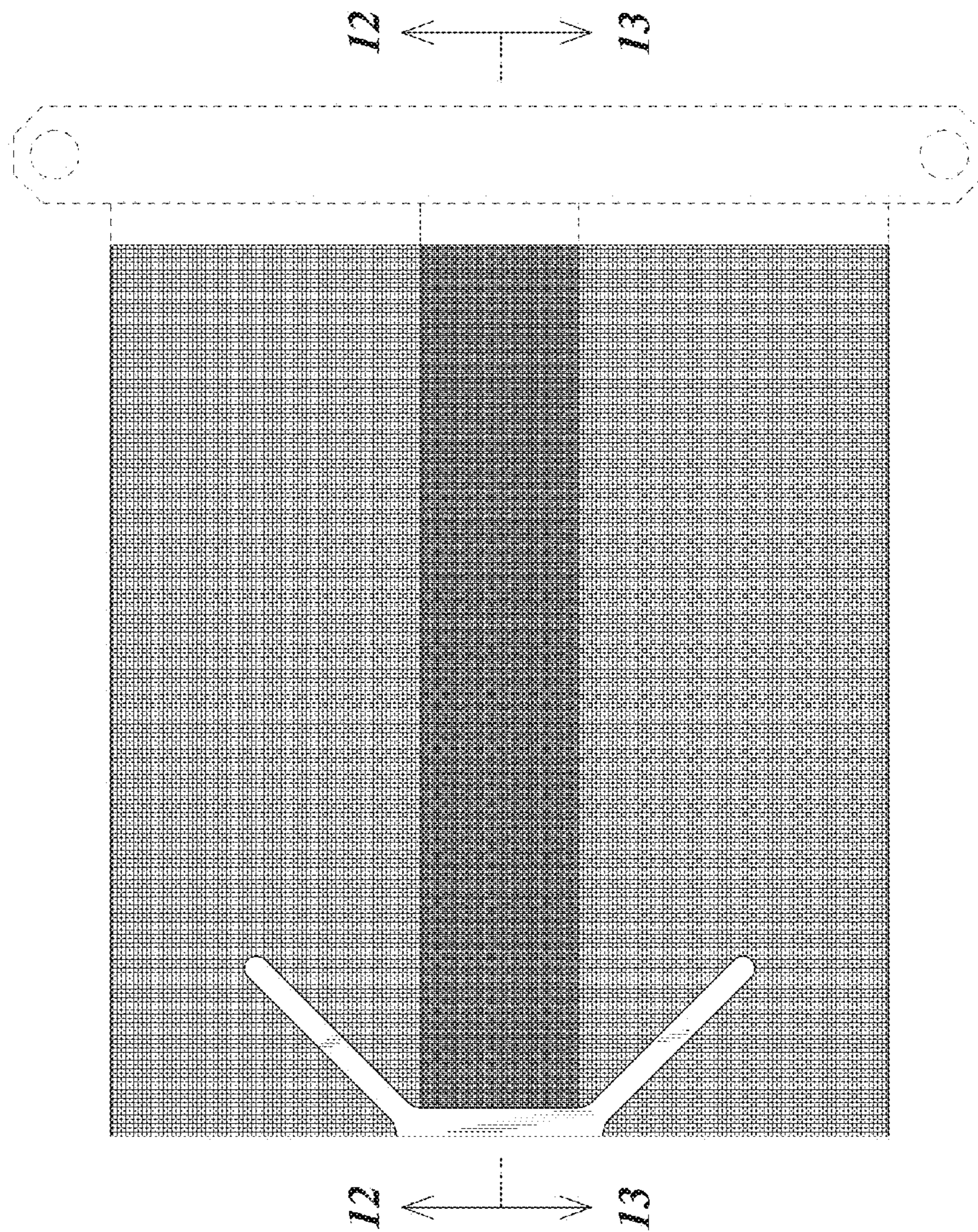
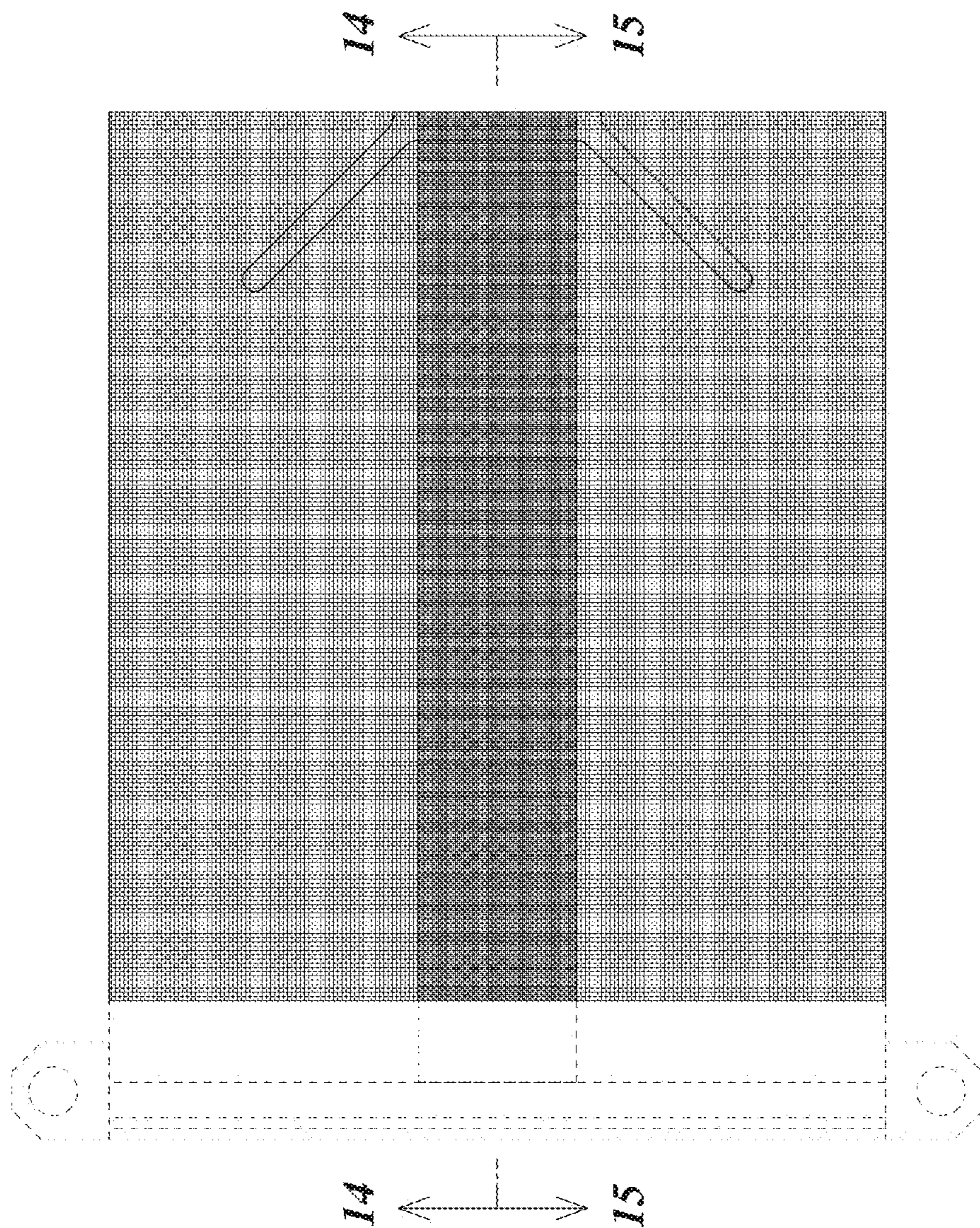




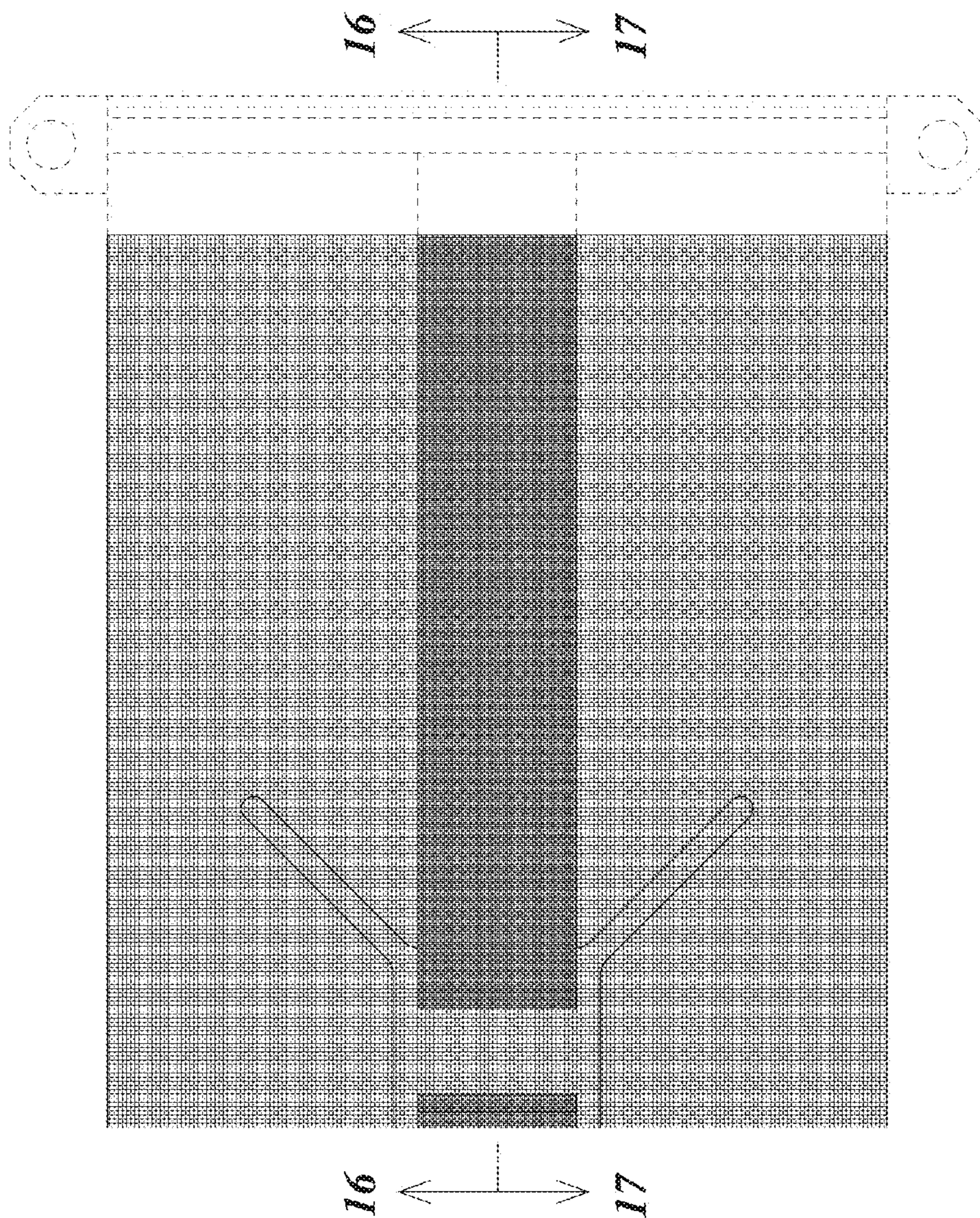
FIG. 7



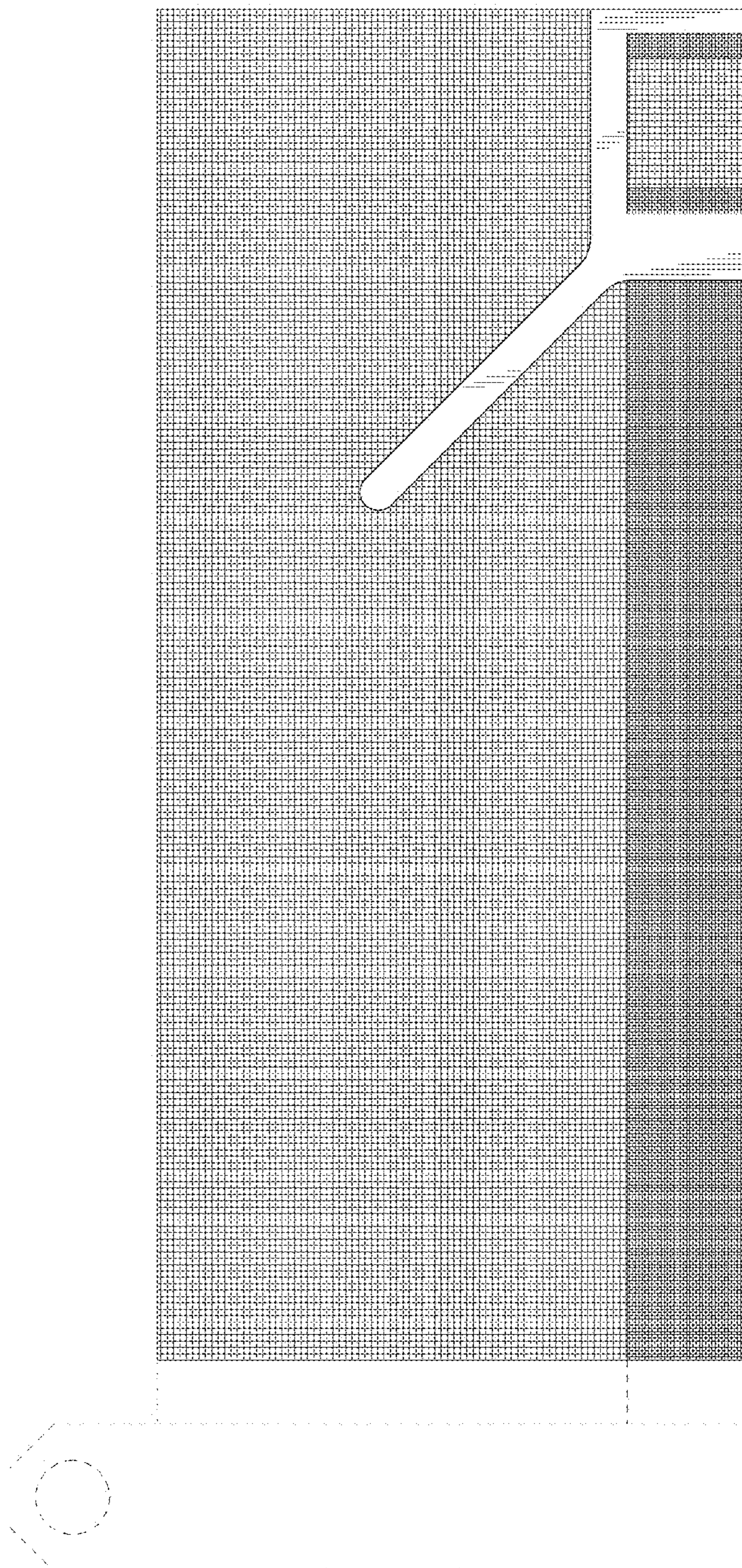
*FIG. 8*



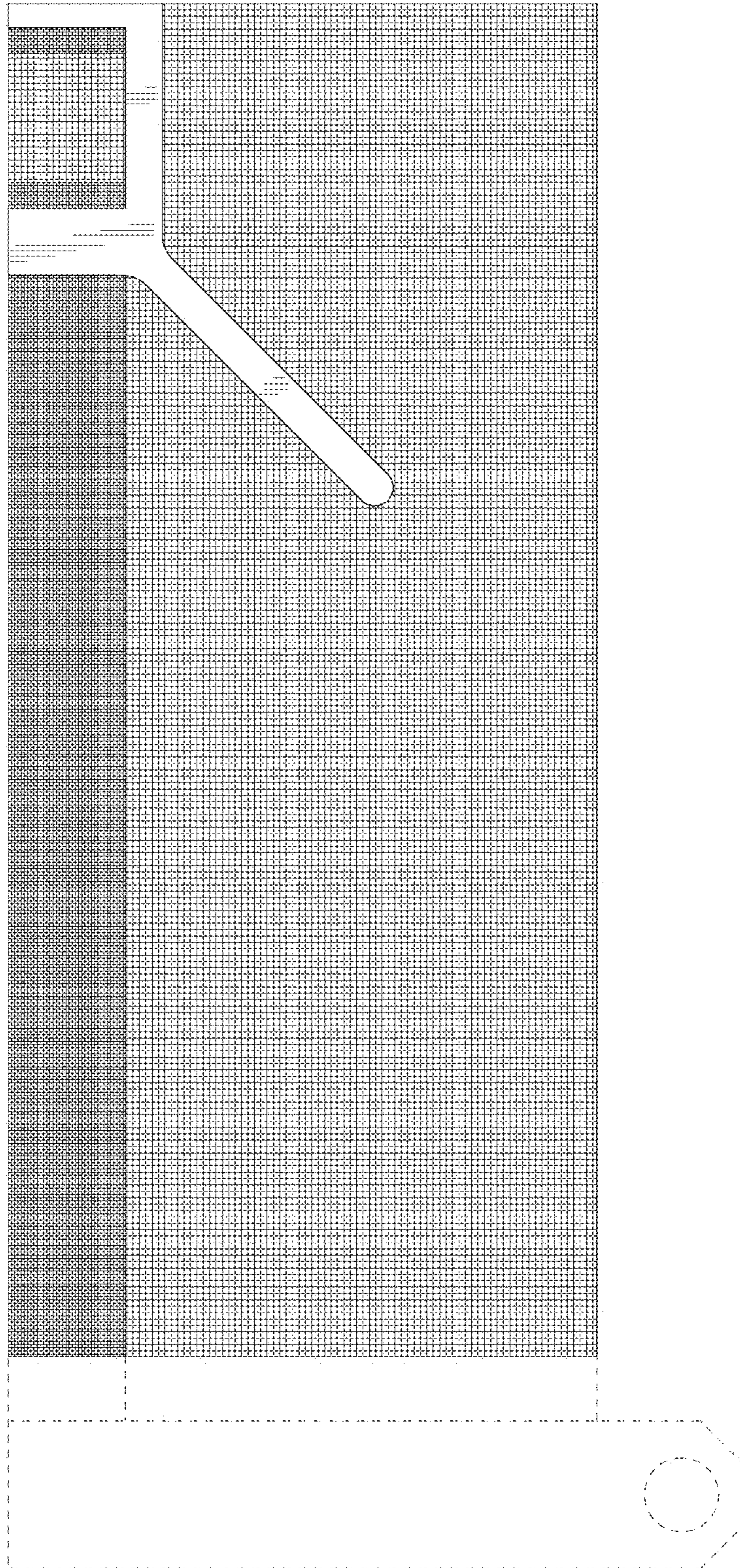
**FIG. 9**

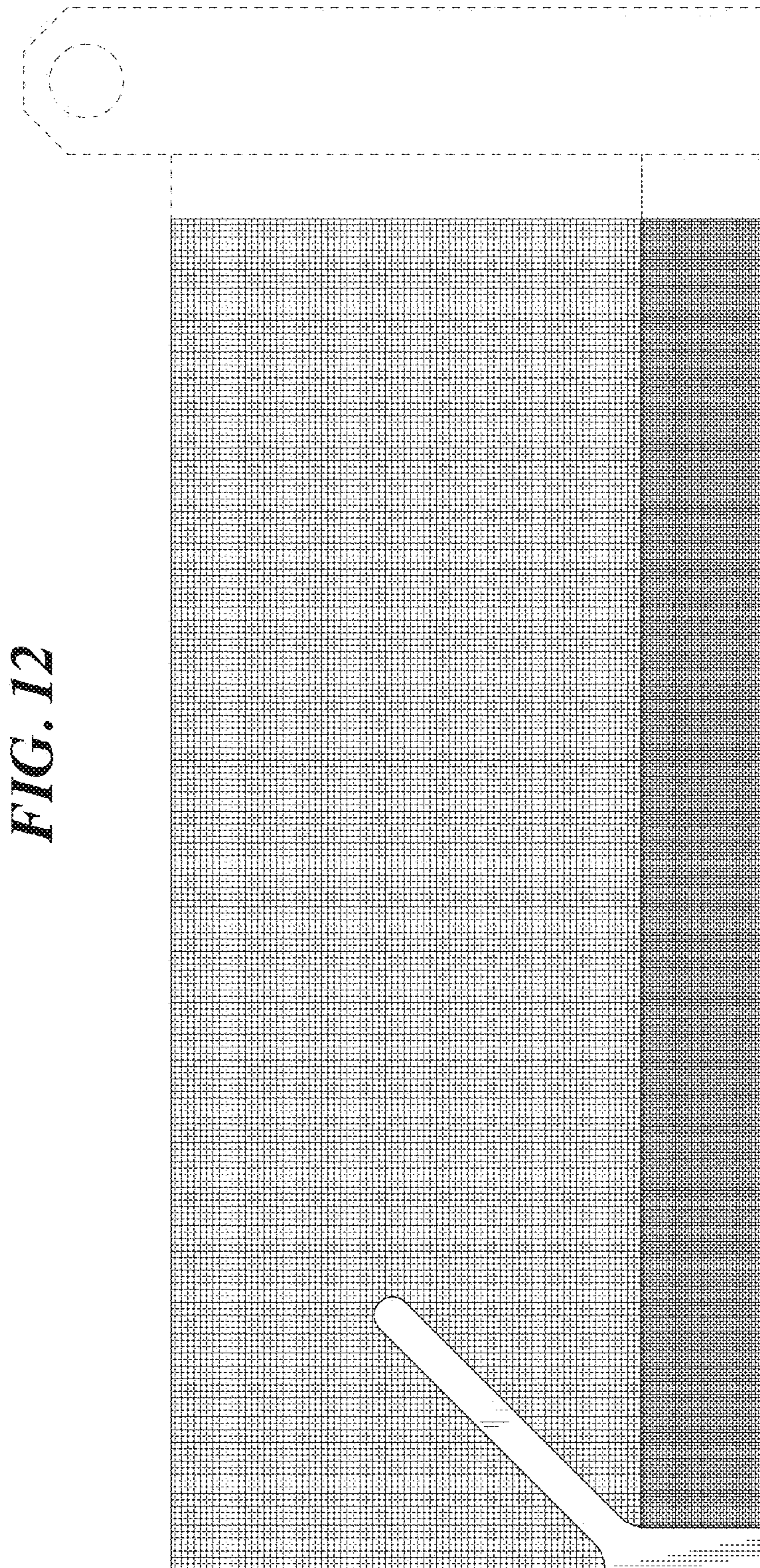


*FIG. 10*



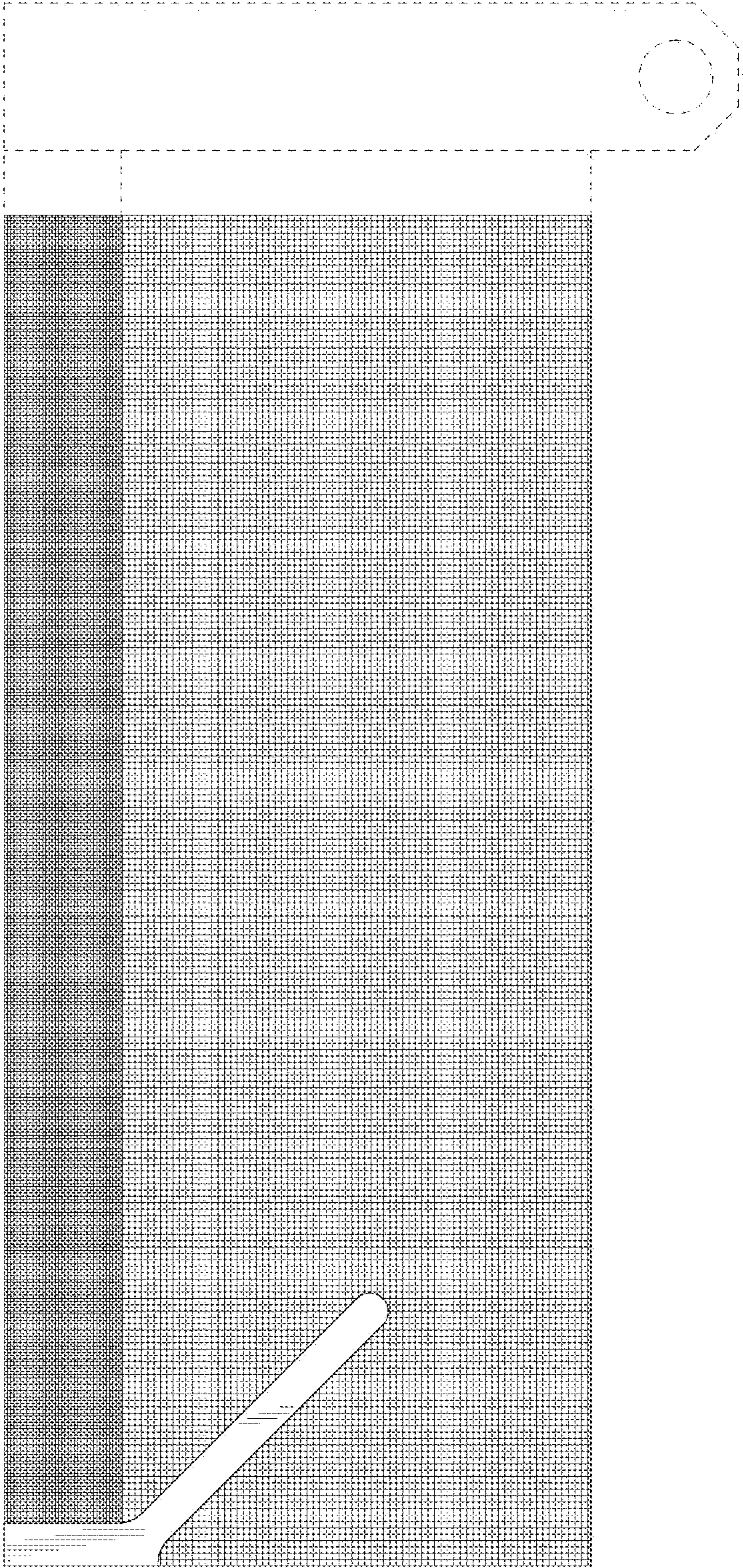
*FIG. 11*



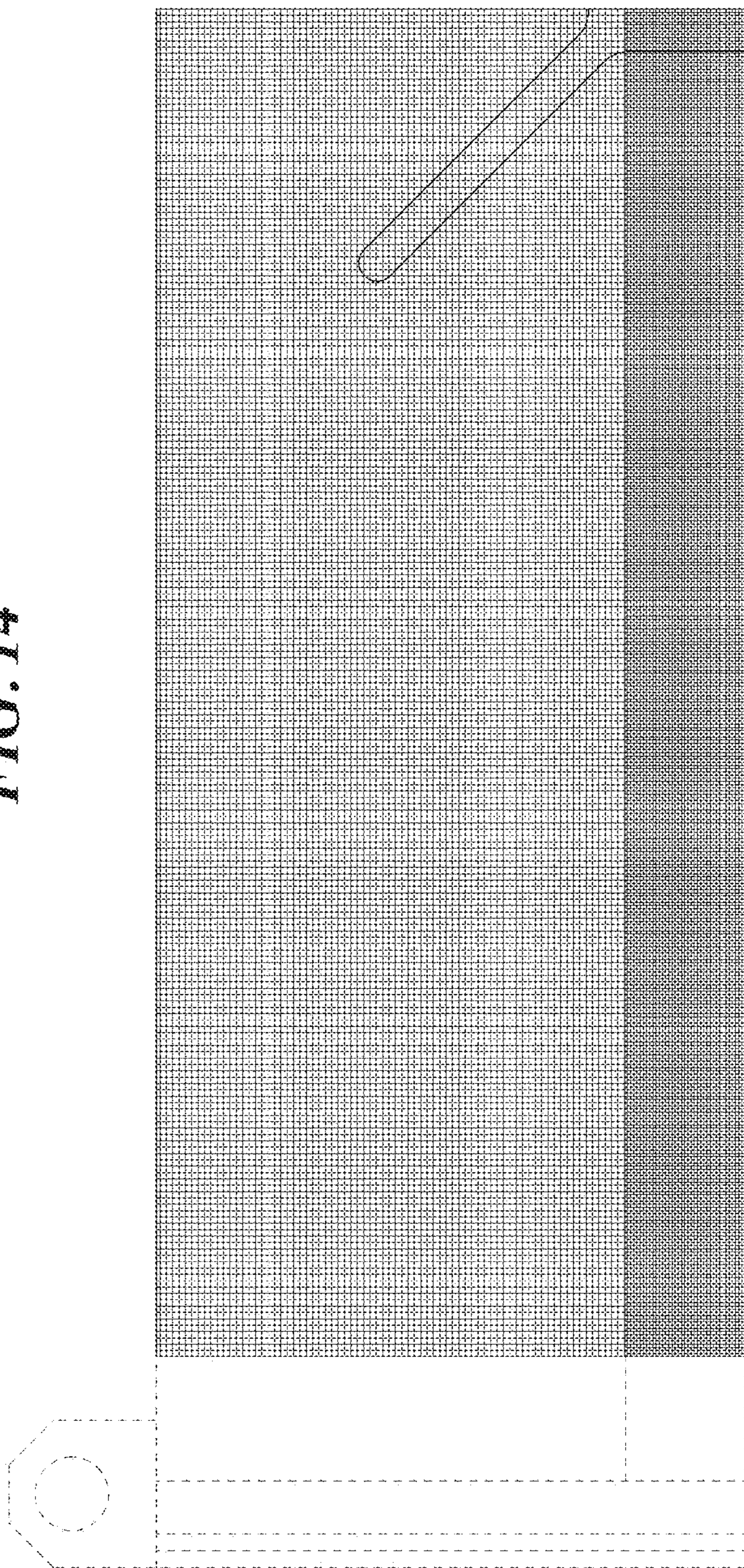


*FIG. 12*

*FIG. 13*

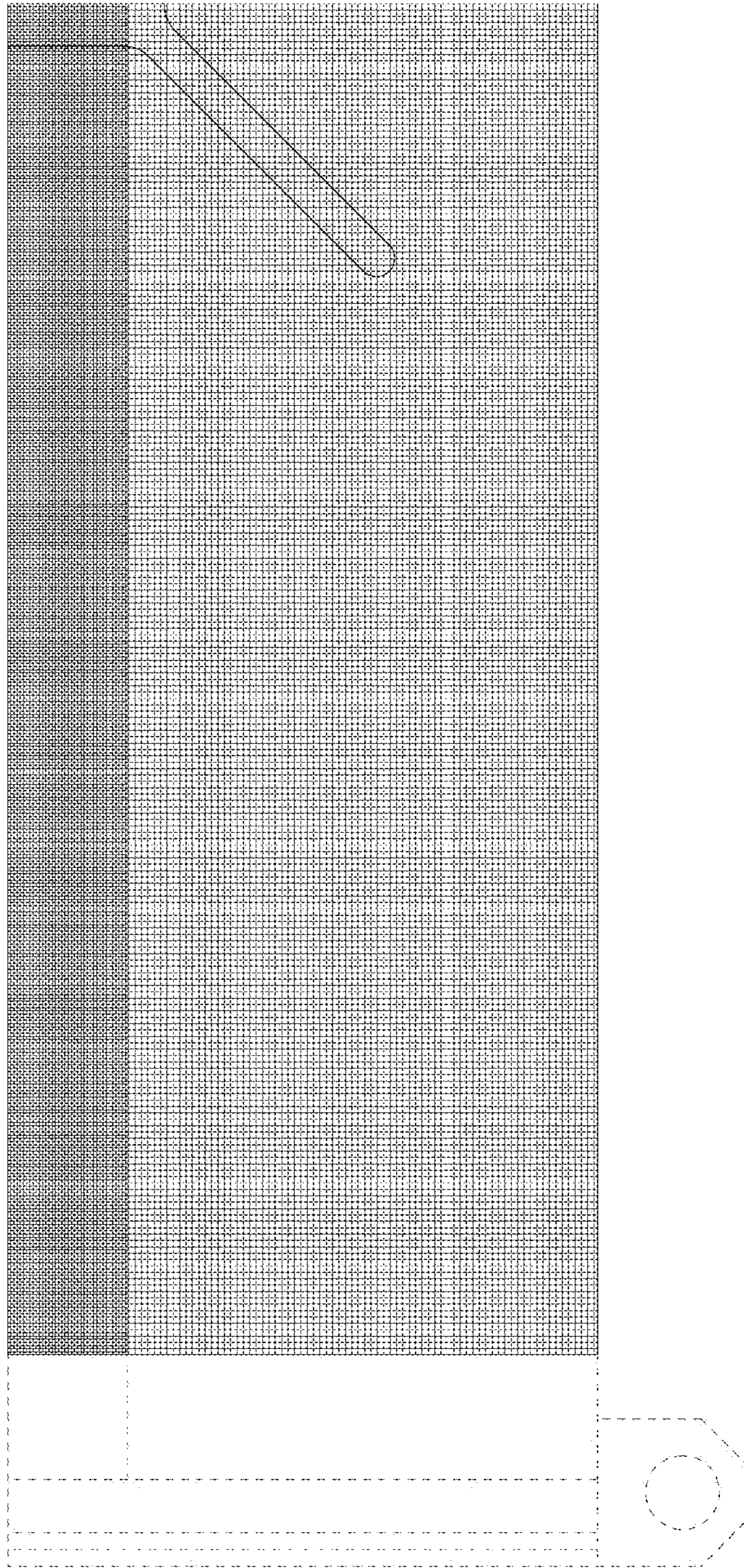


*FIG. 14*

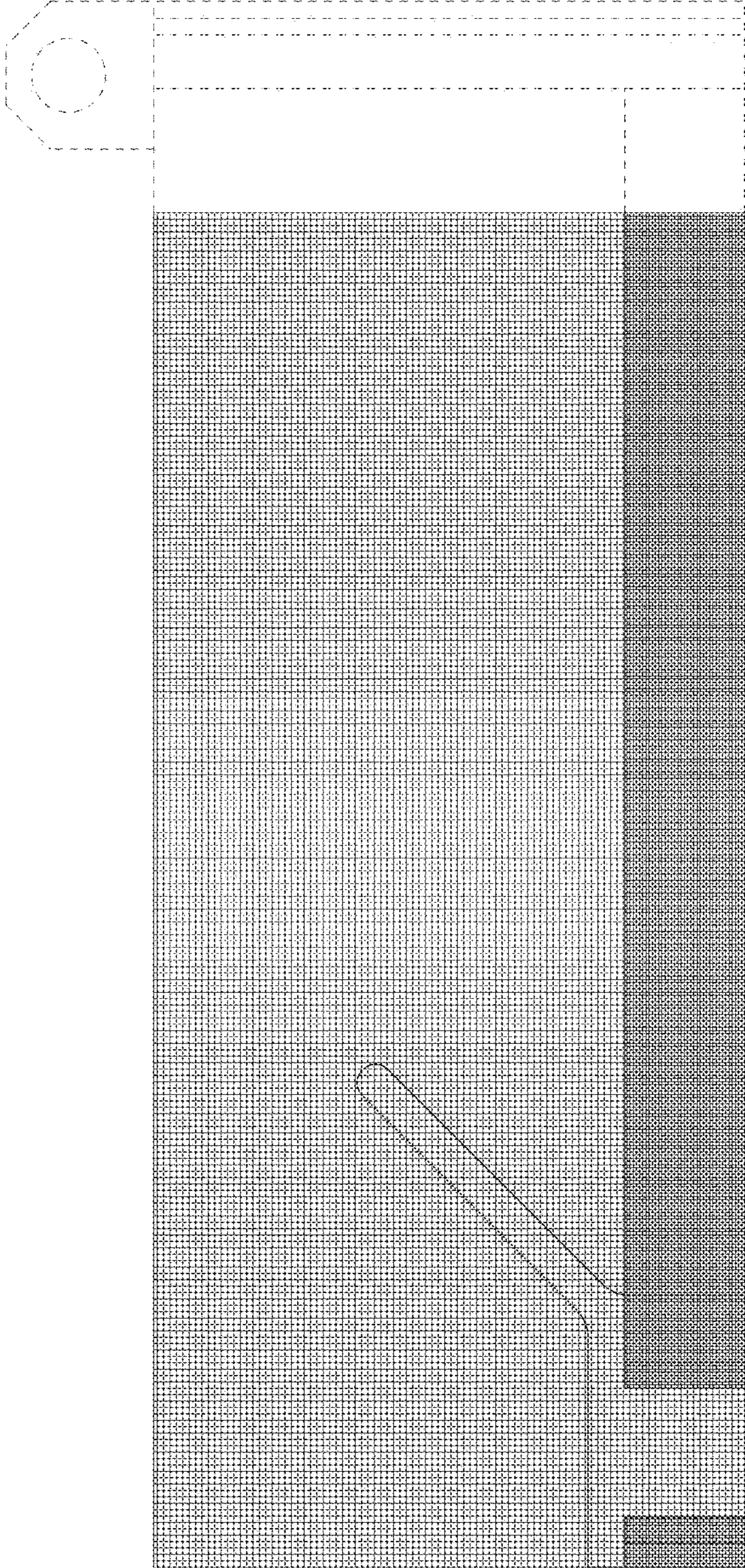




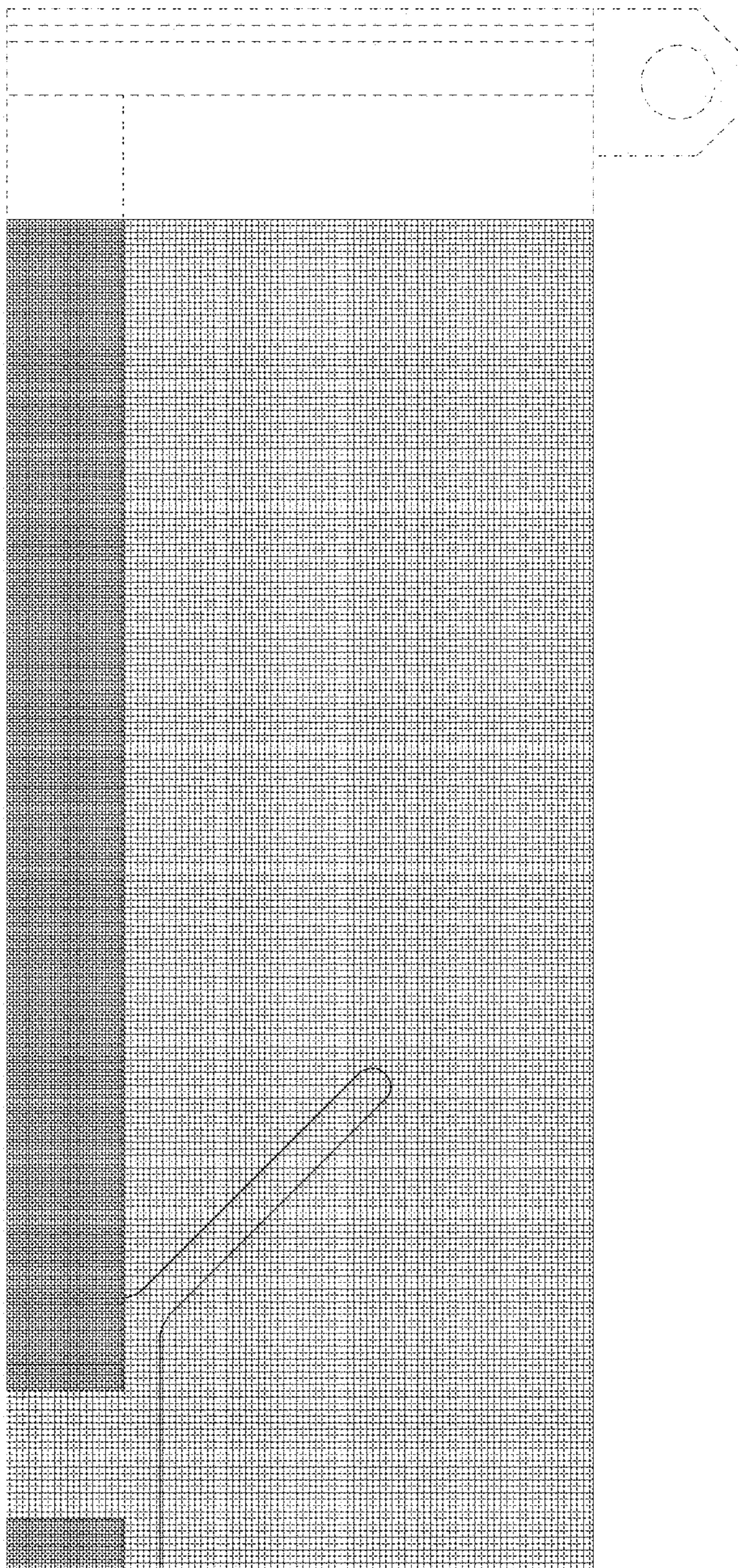
*FIG. 15*



*FIG. 16*



*FIG. 17*



**FIG. 18**

