



US00D736900S

(12) **United States Design Patent**  
**Frelier**

(10) **Patent No.:** **US D736,900 S**

(45) **Date of Patent:** **\*\* Aug. 18, 2015**

(54) **FLUID FLOW CHANNEL APPLIED TO ROOF DRAINAGE**

(71) Applicant: **Calvin Arthur Frelier**, Rochester, NY (US)

(72) Inventor: **Calvin Arthur Frelier**, Rochester, NY (US)

(\*\*) Term: **14 Years**

(21) Appl. No.: **29/451,185**

(22) Filed: **Mar. 28, 2013**

**Related U.S. Application Data**

(62) Division of application No. 12/930,218, filed on Jan. 3, 2011, now Pat. No. 8,584,403.

(51) **LOC (10) Cl.** ..... **23-01**

(52) **U.S. Cl.**  
USPC ..... **D23/267**

(58) **Field of Classification Search**  
USPC ..... D23/267; 52/11, 12, 16, 58; 210/162; 248/48.1, 48.2

See application file for complete search history.

(56) **References Cited**

**U.S. PATENT DOCUMENTS**

1,412,685	A *	4/1922	Hacker	405/119
2,421,978	A *	6/1947	Andrews	52/11
D217,247	S *	4/1970	Brown	D23/267
4,436,518	A *	3/1984	Buss	428/595
D306,201	S *	2/1990	Paulsson	D23/267
D314,815	S *	2/1991	Paulsson	D23/267
D369,653	S *	5/1996	Zaccagni	D23/267
5,893,240	A *	4/1999	Ealer, Sr.	52/12
6,225,600	B1 *	5/2001	Burris	219/213
D454,180	S *	3/2002	Wessels	D23/267

D492,394	S *	6/2004	Bullinger	D23/267
D552,218	S *	10/2007	Allredge	D23/267
D655,886	S *	3/2012	Kovich et al.	D1/122
8,578,658	B2 *	11/2013	Snell	52/12
8,695,282	B2 *	4/2014	Glander	52/11
2003/0188493	A1 *	10/2003	Walters	52/11
2005/0072202	A1 *	4/2005	Gorski et al.	72/176
2005/0145560	A1 *	7/2005	Jones	210/459
2006/0090404	A1 *	5/2006	Lovell	52/97
2008/0047206	A1 *	2/2008	Gramling	52/12
2008/0190039	A1 *	8/2008	Brochu	52/12
2008/0190040	A1 *	8/2008	Graves	52/12
2012/0168360	A1 *	7/2012	Frelier	210/137

**OTHER PUBLICATIONS**

Rain Gutters, no reference date available online, [site visited Aug. 14, 2014]. Available on Internet <URL: <http://www.northcountyraingutters.com/>>.\*

\* cited by examiner

*Primary Examiner* — Eric Goodman

*Assistant Examiner* — Daniel J Domino

(57) **CLAIM**

The ornamental design for a fluid flow channel applied to roof drainage, as shown and described.

**DESCRIPTION**

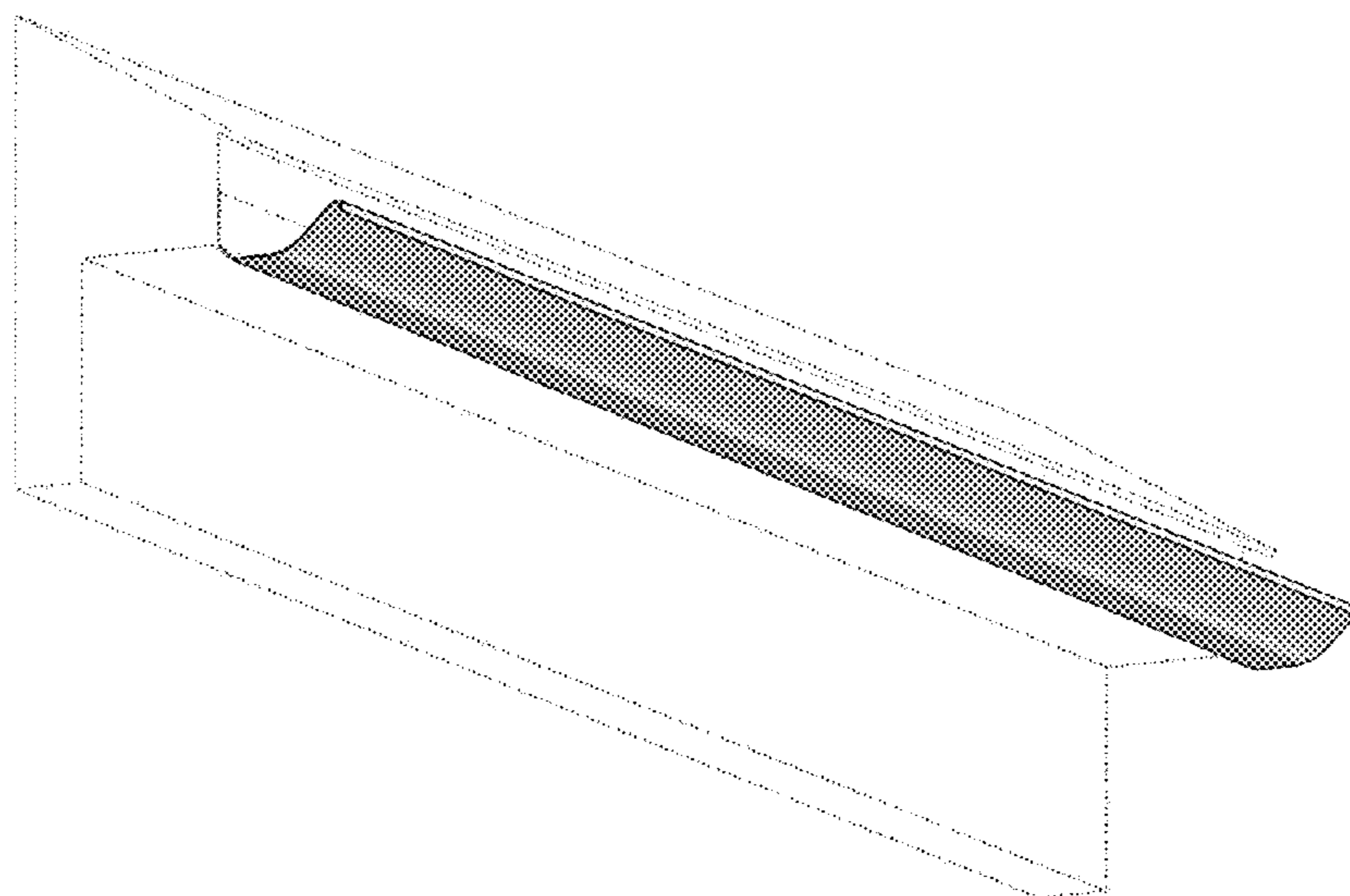
FIG. 1 is an upward looking perspective view of a fluid flow channel applied to roof drainage;

FIG. 2 is a profile view thereof; and,

FIG. 3 is a profile view of an alternate embodiment substantially similar to the embodiment disclosed in FIGS. 1 and 2, the difference being the change in contours as illustrated in FIG. 3.

The nature of the article is to convey rainwater runoff from a roof structure and the intended use is the same.

**1 Claim, 2 Drawing Sheets**



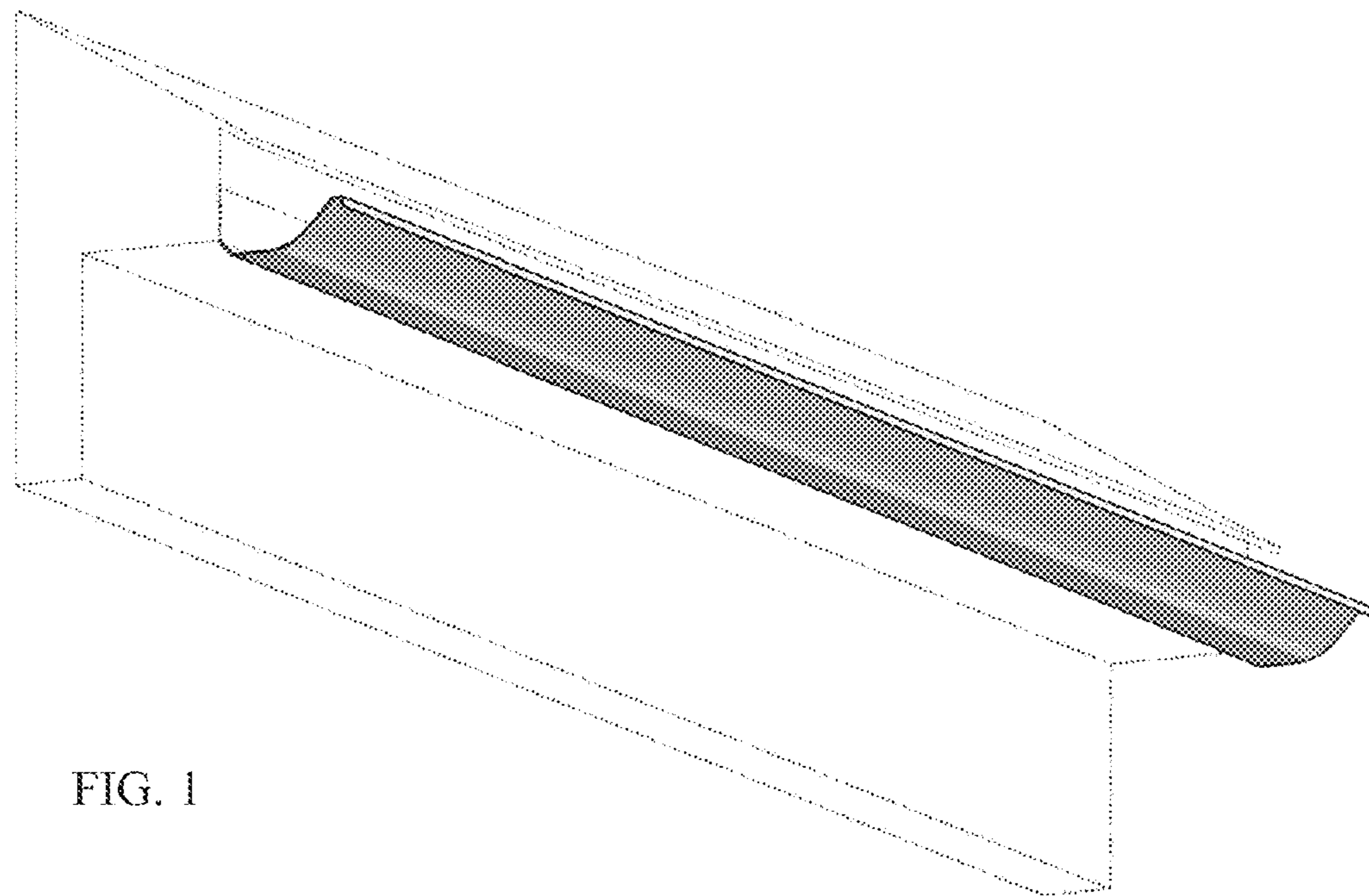


FIG. 1

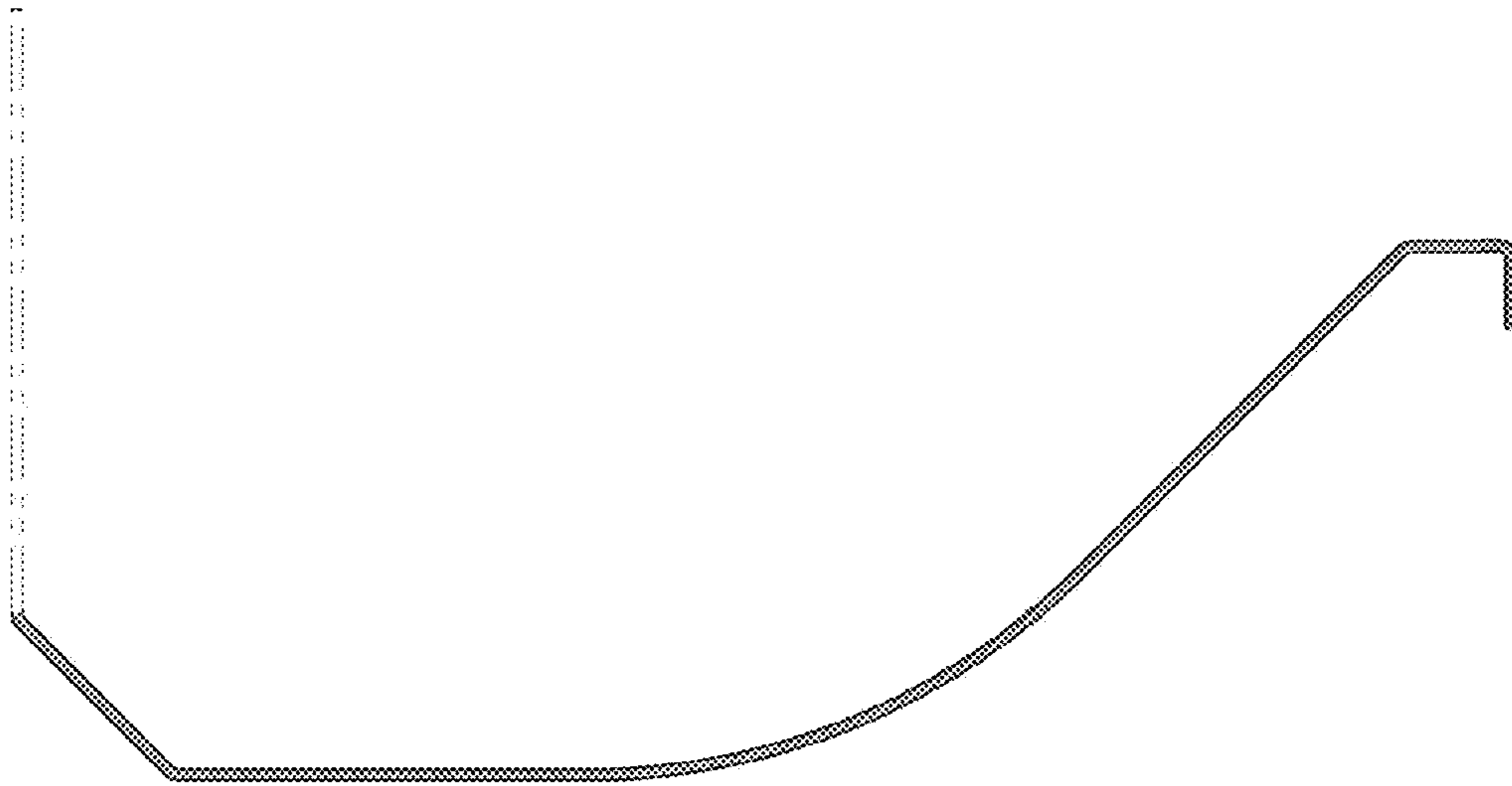


FIG. 2

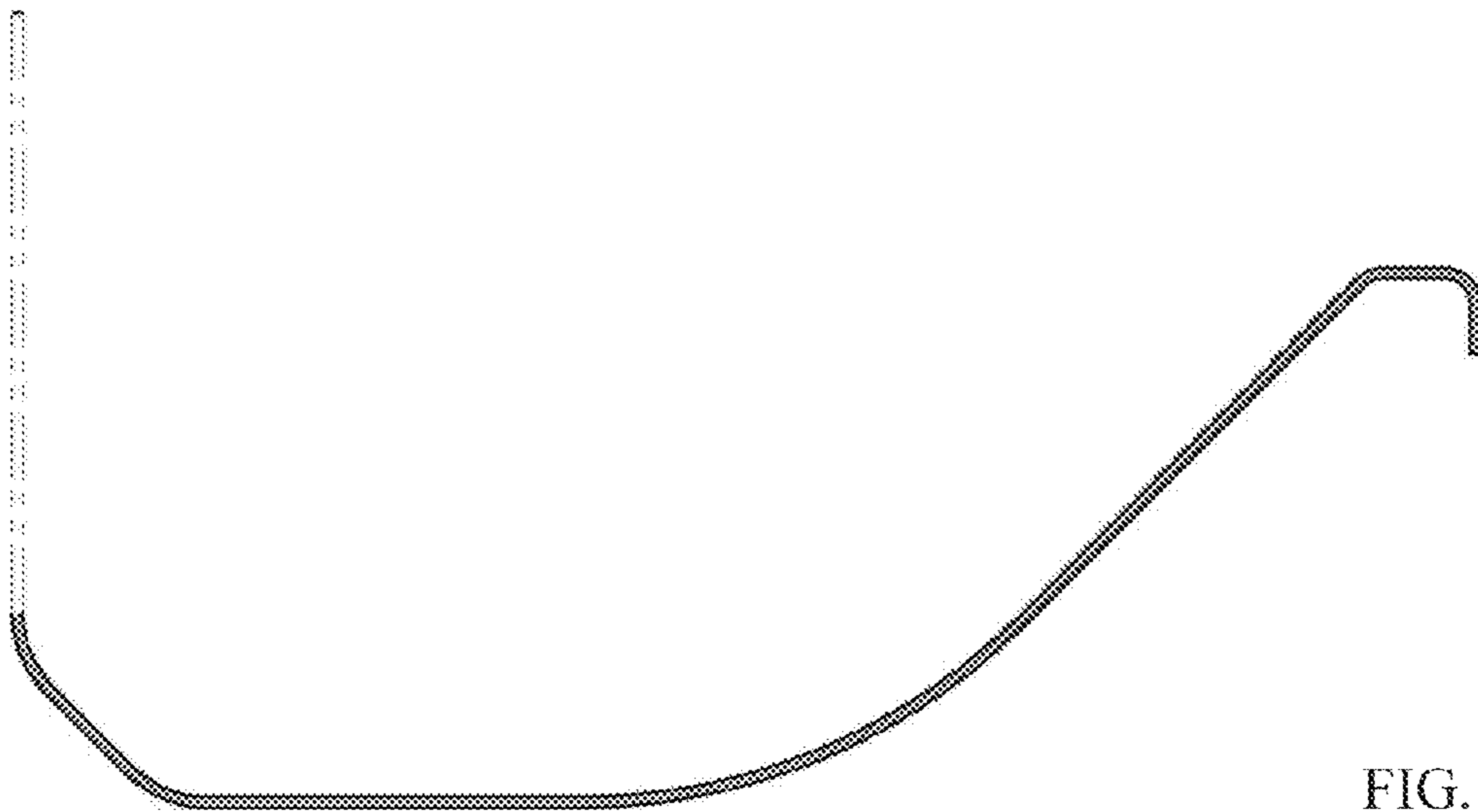


FIG. 3