

US00D736899S

(12) **United States Design Patent**
Courtois

(10) **Patent No.:** **US D736,899 S**

(45) **Date of Patent:** **** Aug. 18, 2015**

(54) **SAP COLLECTOR**

(75) Inventor: **Pierre Courtois**, Victoriaville (CA)

(73) Assignee: **H2O INNOVATION INC.**, Quebec (CA)

(**) Term: **14 Years**

(21) Appl. No.: **29/424,520**

(22) Filed: **Jun. 13, 2012**

(51) **LOC (10) Cl.** **23-01**

(52) **U.S. Cl.**
USPC **D23/263**

(58) **Field of Classification Search**
USPC D15/28; D23/262–269; 285/133.11, 38,
285/422, 93, 61, 150; 47/52; 138/103, 110
See application file for complete search history.

D508,111 S *	8/2005	Karasawa	D23/262
D530,796 S *	10/2006	Zielke et al.	D23/262
D607,090 S *	12/2009	Johnson	D23/262
D617,880 S *	6/2010	Johnson	D23/262
D655,393 S *	3/2012	Whitaker	D23/233
8,424,242 B2 *	4/2013	Perkins	47/52
8,854,808 B2 *	10/2014	Mullady	361/679.53
8,898,876 B2 *	12/2014	Feith	29/270
8,950,789 B2 *	2/2015	Jahan	285/259

* cited by examiner

Primary Examiner — Mark Goodwin

(74) *Attorney, Agent, or Firm* — Norton Rose Fulbright
Canada LLP; Alexandre Daoust

(57) **CLAIM**

The ornamental design for a sap collector, as shown and described.

(56) **References Cited**

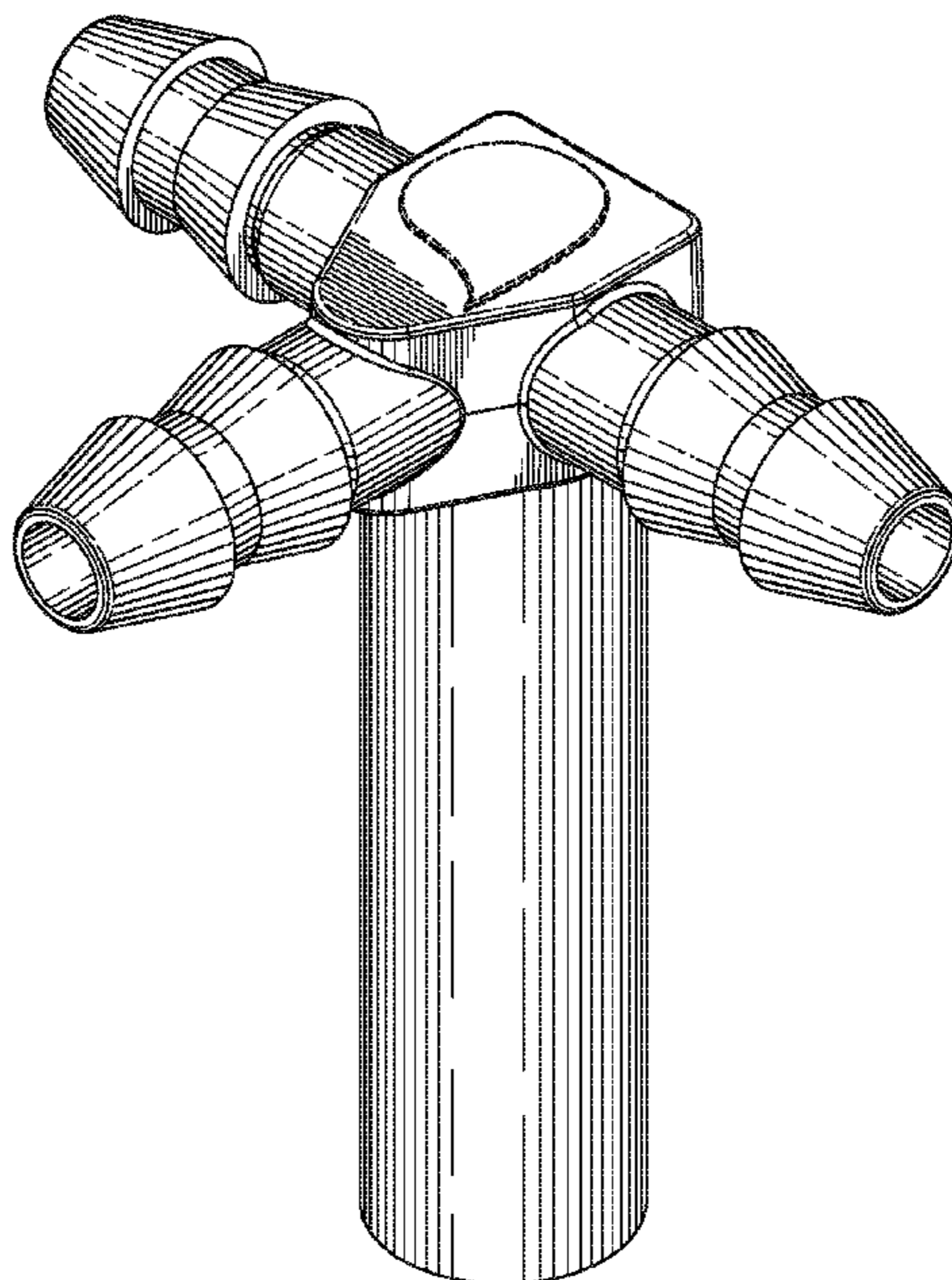
U.S. PATENT DOCUMENTS

3,046,698 A *	7/1962	Breen et al.	47/52
4,299,053 A *	11/1981	Foote	47/52
D282,962 S *	3/1986	Gerber	D23/262
4,603,890 A *	8/1986	Huppee	285/239
D298,850 S *	12/1988	Lanoue	D23/263
D300,361 S *	3/1989	Tokarz	D24/129
4,926,597 A *	5/1990	Landry	47/52
4,971,366 A *	11/1990	Towsley	285/12
5,257,826 A *	11/1993	Prassas et al.	285/148.19
5,303,504 A *	4/1994	Buzzell	47/52
5,564,227 A *	10/1996	Chabot	47/52
D441,435 S *	5/2001	Patteson et al.	D23/262
D453,817 S *	2/2002	Patteson et al.	D23/262
6,438,895 B1 *	8/2002	Fortier	47/52

DESCRIPTION

FIG. 1 is an oblique view of a sap collector showing my new design;
FIG. 2 is a rear view thereof,
FIG. 3 is a top view thereof,
FIG. 4 is a right side view thereof,
FIG. 5 is a left side view thereof,
FIG. 6 is a front view thereof, and,
FIG. 7 is a bottom view thereof.
The dashed line showing of structural lines is included for the purpose of illustrating non-claimed subject matter and forms no part of the claimed design.

1 Claim, 7 Drawing Sheets



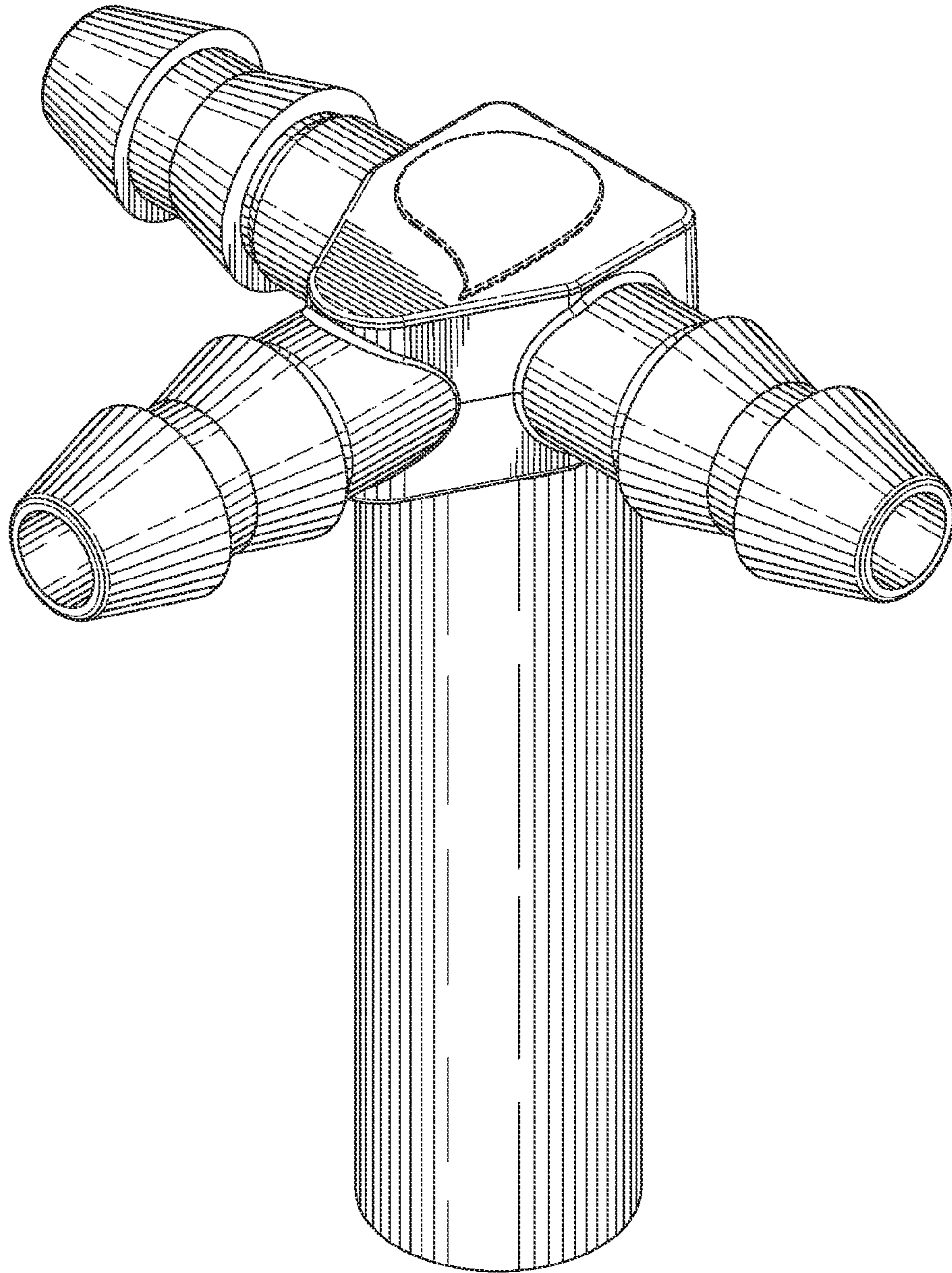


FIG. 1

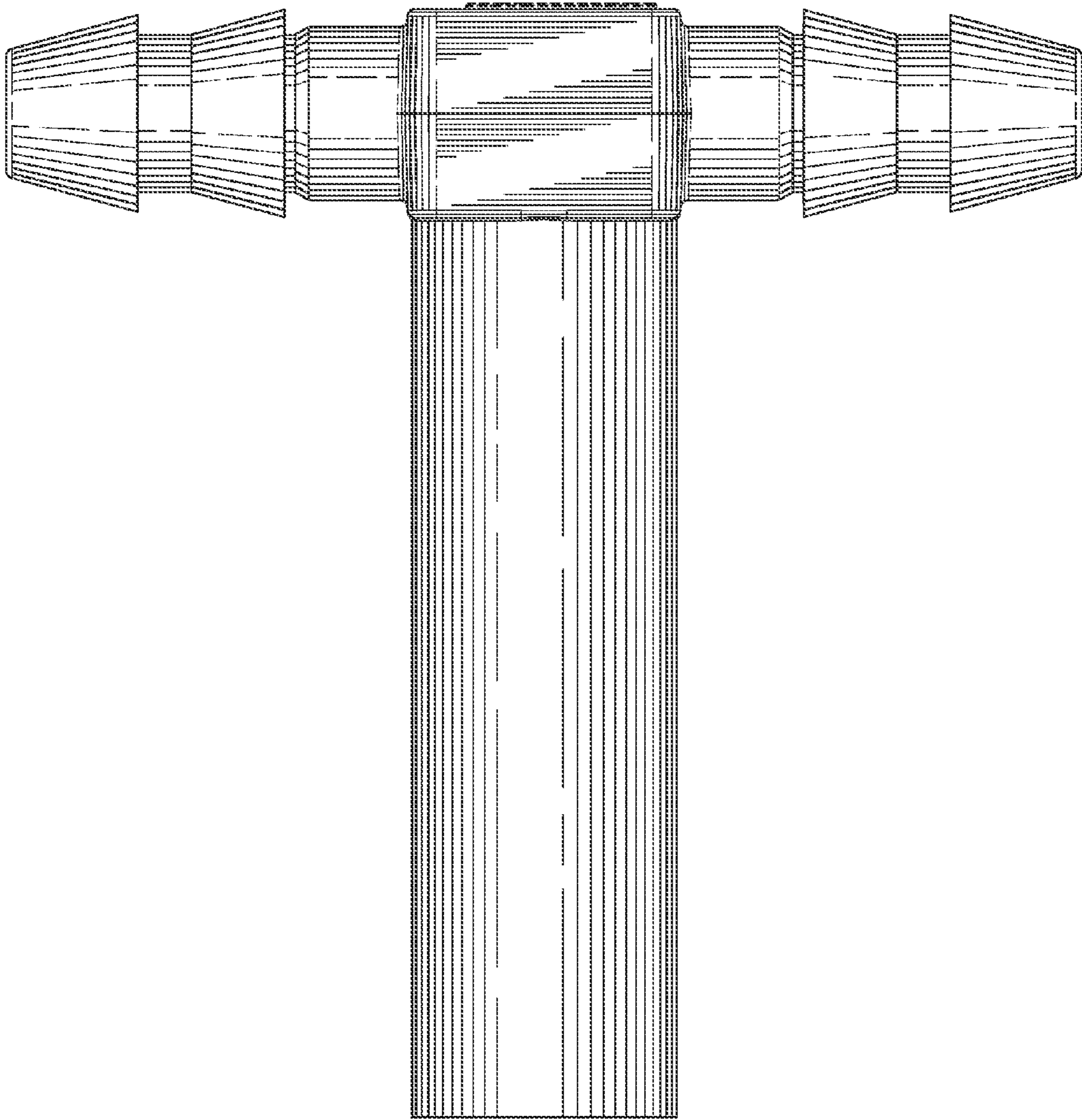
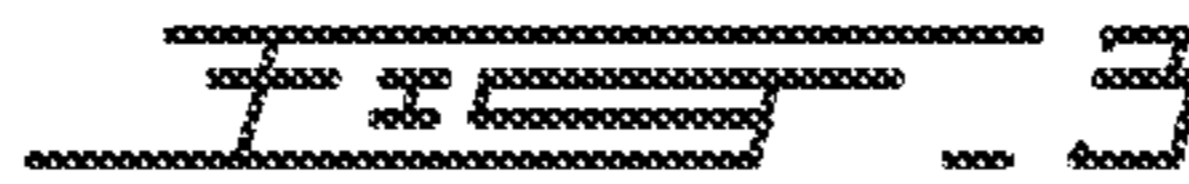
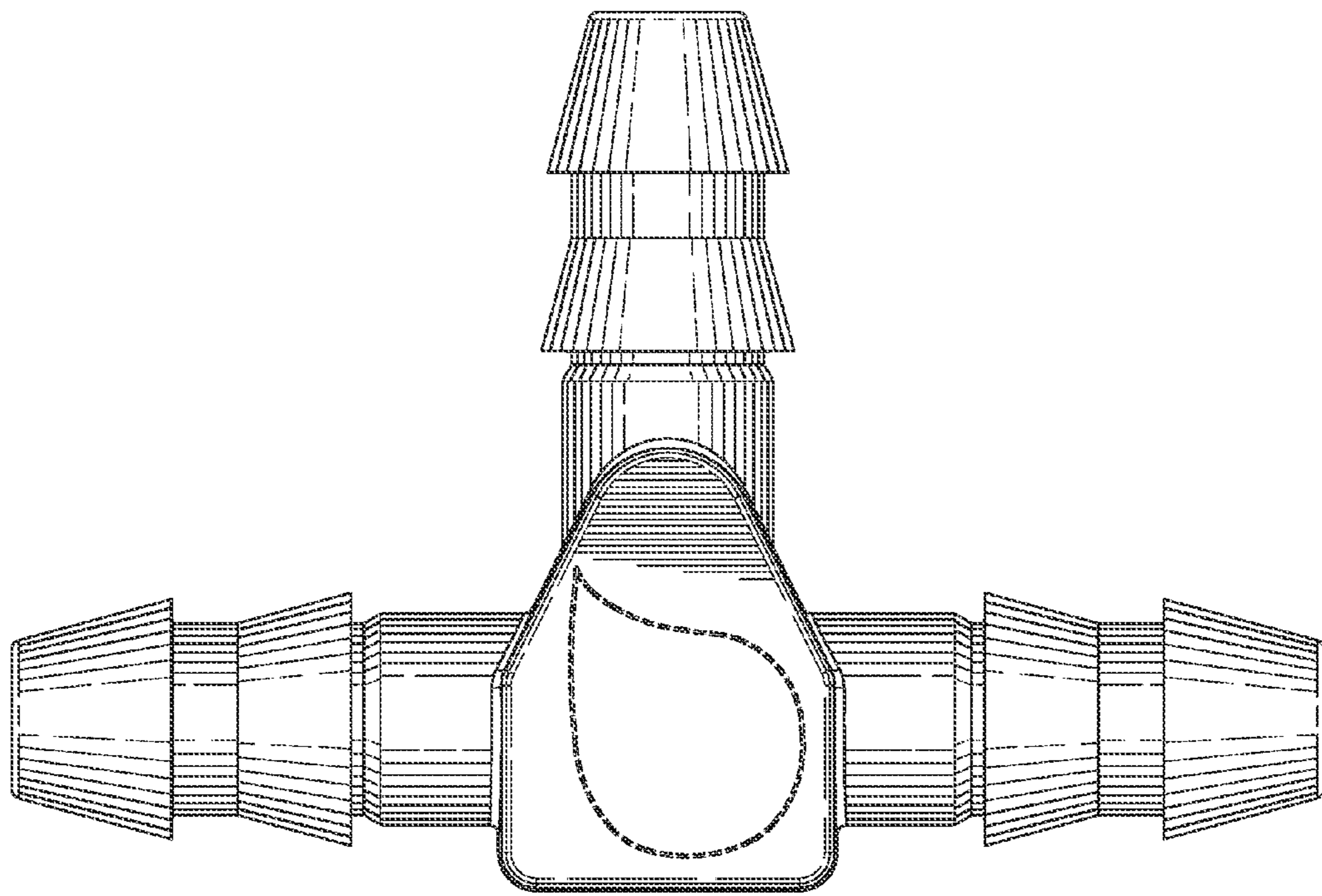
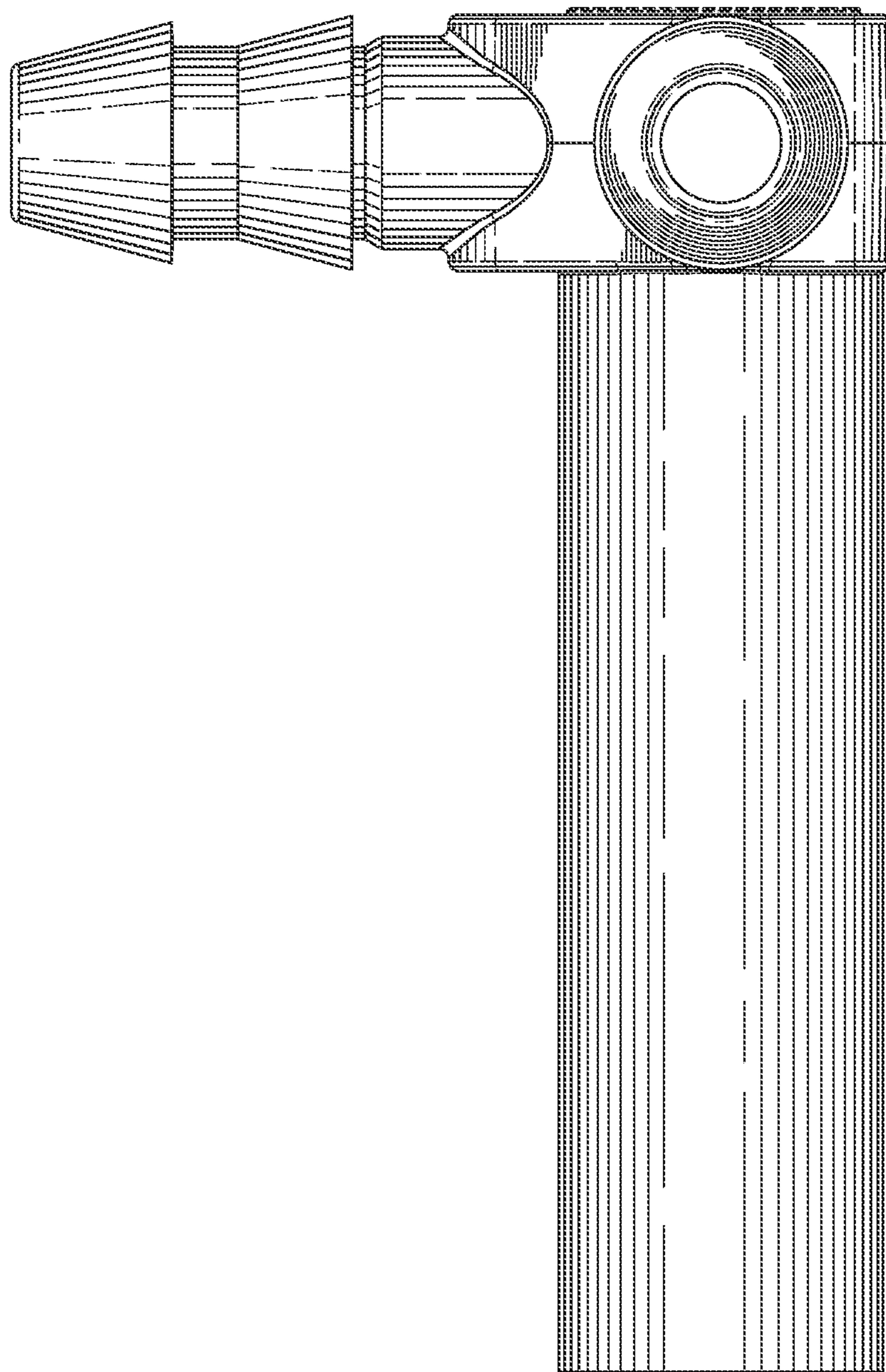


FIG. 2





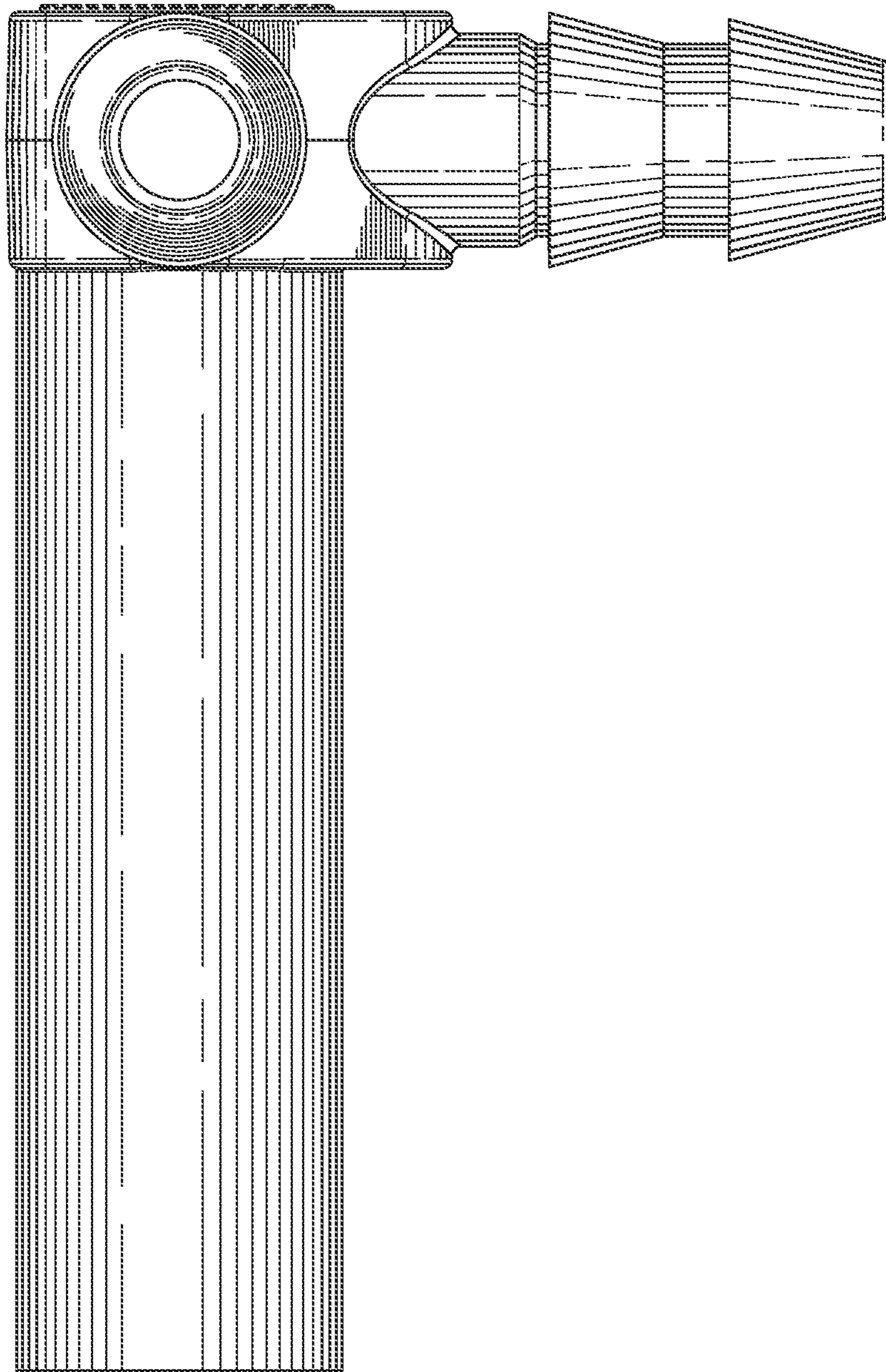


FIG. 5

