



US00D736897S

(12) **United States Design Patent**
Kacik et al.

(10) **Patent No.:** **US D736,897 S**

(45) **Date of Patent:** **** Aug. 18, 2015**

(54) **FAUCET CARTRIDGE**

4,109,672 A 8/1978 Szemeredi
4,226,260 A 10/1980 Schmitt
4,305,419 A 12/1981 Moen

(71) Applicant: **Moen Incorporated**, North Olmsted,
OH (US)

(Continued)

(72) Inventors: **Mark S. Kacik**, Lakewood, OH (US);
Yaakov Korb, Grafton, OH (US);
Sanjeev S. Moghe, Chagrin Falls, OH
(US)

FOREIGN PATENT DOCUMENTS

DE 3720207 A1 12/1987

OTHER PUBLICATIONS

(73) Assignee: **Moen Incorporated**, North Olmsted,
OH (US)

International Search Report for International App. No. PCT/US2013/
050486 dated Jan. 9, 2014 (2 pages).

(Continued)

(**) Term: **14 Years**

(21) Appl. No.: **29/508,697**

Primary Examiner — Cynthia Ramirez

(22) Filed: **Nov. 10, 2014**

(74) *Attorney, Agent, or Firm* — Calfee, Halter & Griswold
LLP

Related U.S. Application Data

(62) Division of application No. 29/485,166, filed on Mar.
17, 2014, now Pat. No. Des. 717,399.

(51) **LOC (10) Cl.** **23-01**

(52) **U.S. Cl.**

USPC **D23/235**

(58) **Field of Classification Search**

USPC D23/233, 235, 234-237; 137/801,
137/315.11, 625.17, 625.4, 636.1, 636.2;
251/285, 288

CPC E03C 1/0404; E03C 1/04; E03C 1/0401;
E03C 1/0415; E03C 1/0403; F16K 43/00

See application file for complete search history.

(57) **CLAIM**

The ornamental design for a faucet cartridge, as shown and
described.

DESCRIPTION

FIG. 1 is a perspective view of a faucet cartridge of the new
design;

FIG. 2 is a front elevational view of the faucet cartridge of
FIG. 1;

FIG. 3 is a rear elevational view of the faucet cartridge of FIG.
1;

FIG. 4 is a left side elevational view of the faucet cartridge of
FIG. 1;

FIG. 5 is a right side elevational view of the faucet cartridge
of FIG. 1;

FIG. 6 is a top plan view of the faucet cartridge of FIG. 1; and,
FIG. 7 is a bottom plan view of the faucet cartridge of FIG. 1.

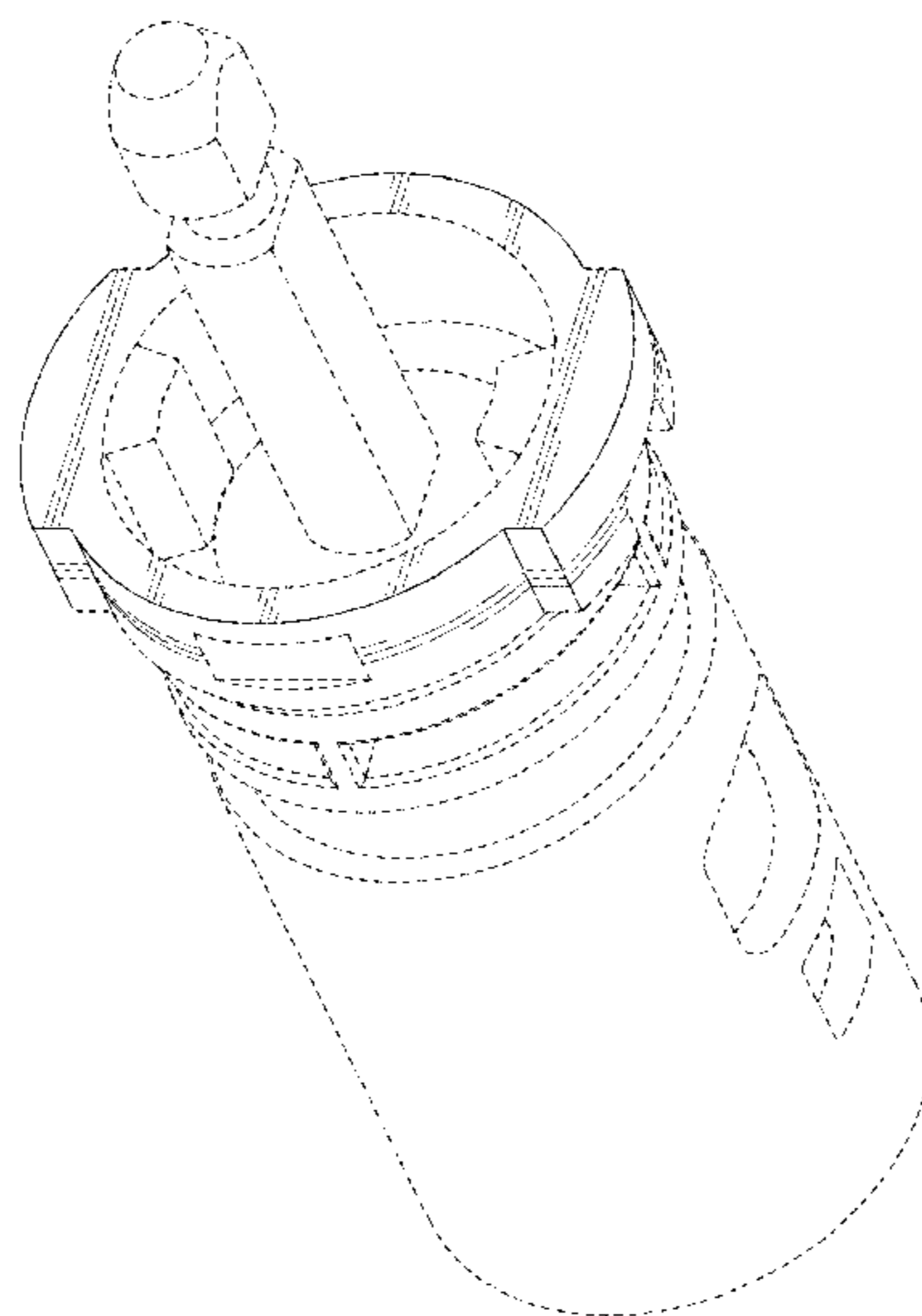
The broken lines shown in the figures are included for the
purpose of illustrating portions of the faucet cartridge and
form no part of the claimed design.

(56) **References Cited**

U.S. PATENT DOCUMENTS

3,548,875 A 12/1970 Lagarelli
3,680,592 A 8/1972 Hayman
3,698,418 A 10/1972 Schmitt
3,788,356 A 1/1974 Moen
3,799,191 A 3/1974 Burkhardt et al.

1 Claim, 4 Drawing Sheets



(56)

References Cited

U.S. PATENT DOCUMENTS

4,606,372 A 8/1986 Hayman
 4,700,736 A 10/1987 Sheen
 4,838,304 A 6/1989 Knapp
 4,901,749 A 2/1990 Hutto
 5,402,827 A 4/1995 Gonzalez
 5,613,521 A 3/1997 Knapp
 5,664,603 A 9/1997 Knapp
 D428,113 S 7/2000 Russo
 6,135,151 A 10/2000 Bowers et al.
 D442,267 S 5/2001 Kouda
 6,431,211 B1 8/2002 Wang
 D499,464 S 12/2004 Caine
 D500,840 S 1/2005 Kim
 7,063,098 B2 6/2006 Sprague
 7,175,158 B2 2/2007 Thomas
 7,185,676 B2 3/2007 Huang
 7,240,850 B2 7/2007 Beck et al.
 7,337,804 B2 3/2008 Rosko
 7,357,145 B2 4/2008 Soderberg
 7,461,669 B2 12/2008 Jonte et al.
 D585,522 S 1/2009 Geideman et al.
 7,549,437 B2 6/2009 Hanada
 D620,081 S 7/2010 Geideman et al.
 D633,179 S 2/2011 Geideman et al.
 8,056,578 B2 11/2011 Lopp et al.

8,109,293 B2 2/2012 Tucker
 8,109,294 B2 2/2012 Kacik et al.
 8,156,963 B2 4/2012 Lopp et al.
 D690,391 S 9/2013 Garm et al.
 D699,815 S 2/2014 Petersen
 D700,683 S 3/2014 Atwell
 8,752,575 B2 6/2014 Kacik et al.
 D717,398 S 11/2014 Kacik et al.
 D717,399 S * 11/2014 Kacik et al. D23/235
 2006/0037651 A1 2/2006 Yang
 2007/0163446 A1 7/2007 Halliday et al.
 2007/0277889 A1 12/2007 Rosko
 2008/0178951 A1 7/2008 Frackowiak et al.
 2009/0025808 A1 1/2009 Kacik et al.
 2009/0026402 A1 1/2009 Loschelder et al.
 2010/0127202 A1 5/2010 Bors et al.
 2012/0025122 A1 2/2012 Lopp et al.
 2012/0305117 A1 12/2012 Huang
 2013/0199645 A1 8/2013 Hsu
 2014/0007967 A1 1/2014 Sun
 2014/0020777 A1 1/2014 Kacik et al.

OTHER PUBLICATIONS

Written Opinion of the International Searching Authority for International App. No. PCT/US2013/050486 dated Jan. 9, 2014 (7 pages).

* cited by examiner

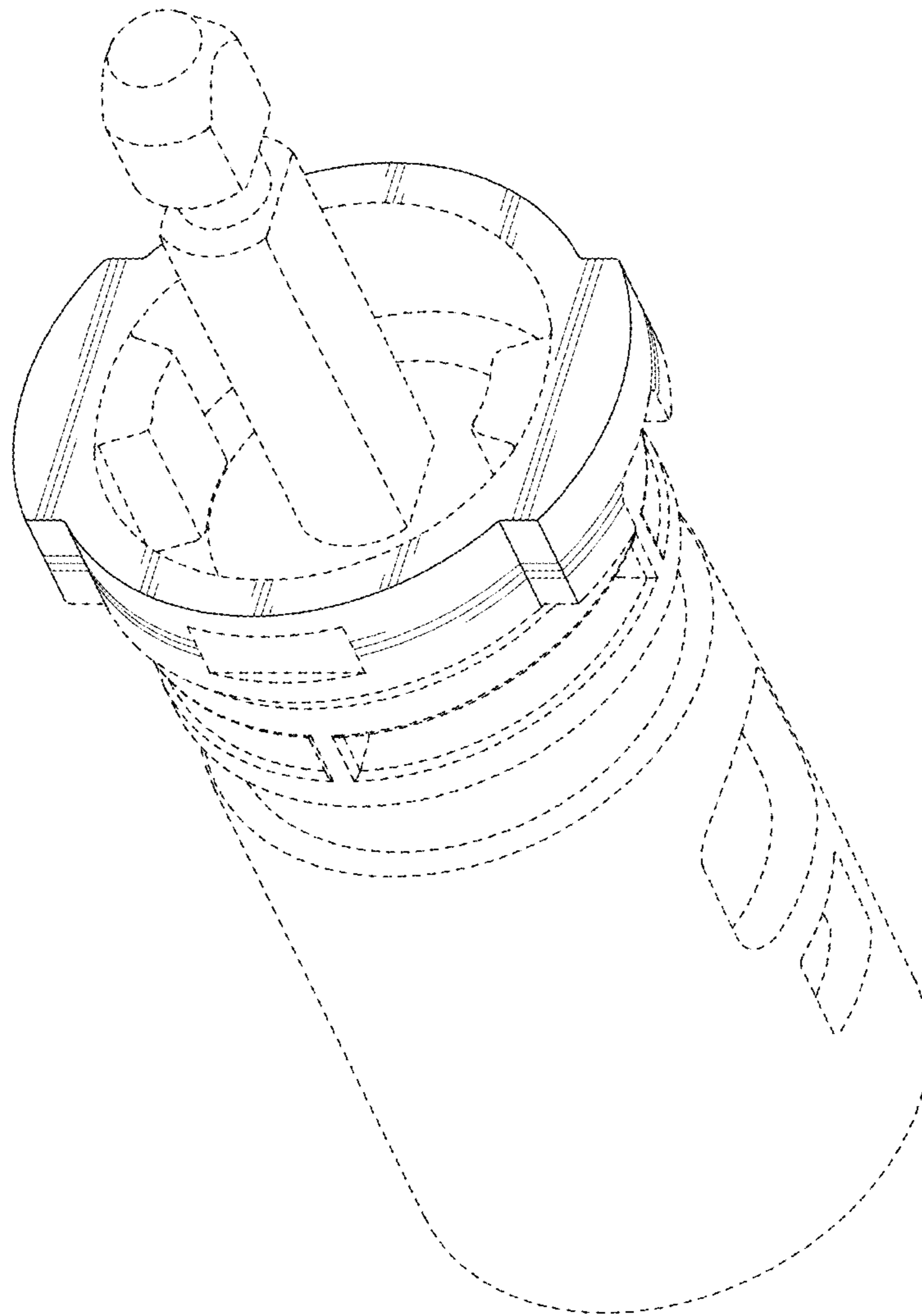


FIG. 1

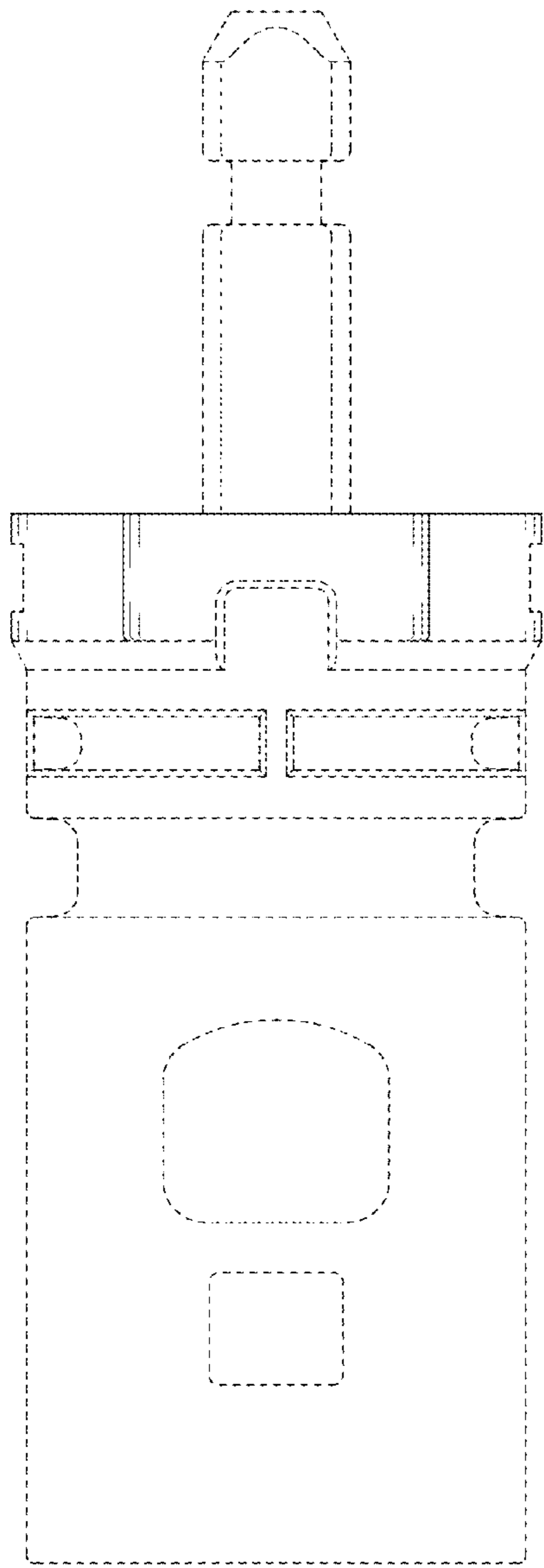


FIG. 2

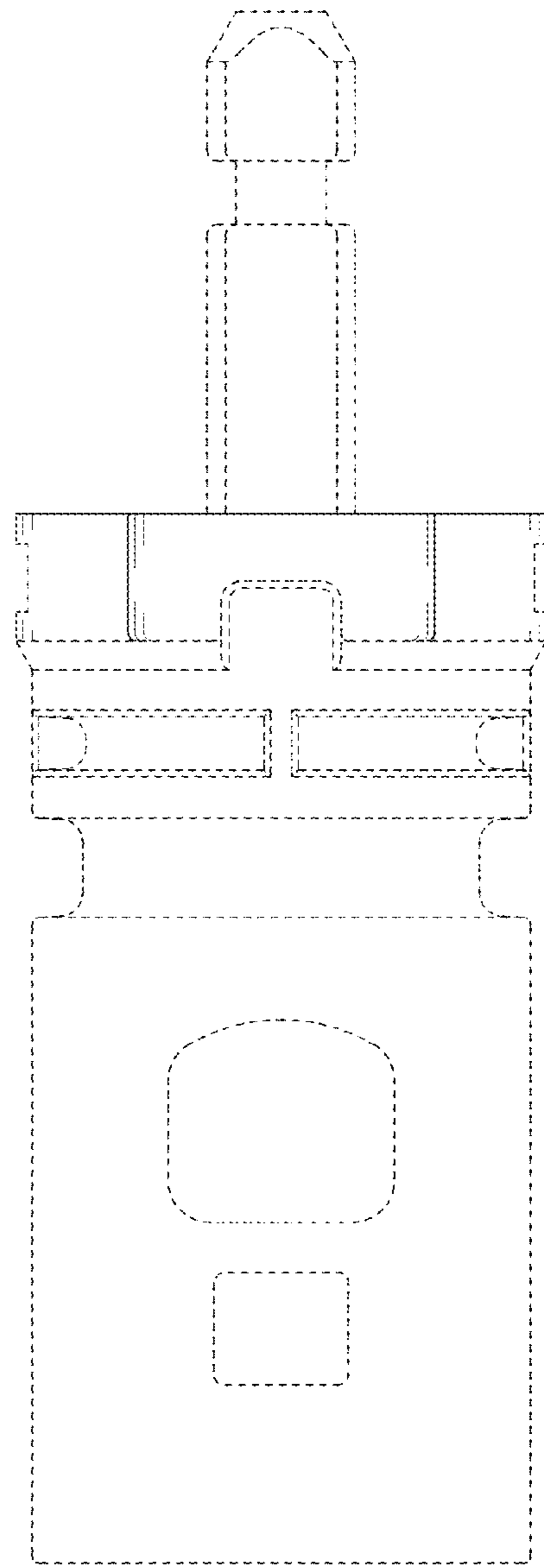


FIG. 3

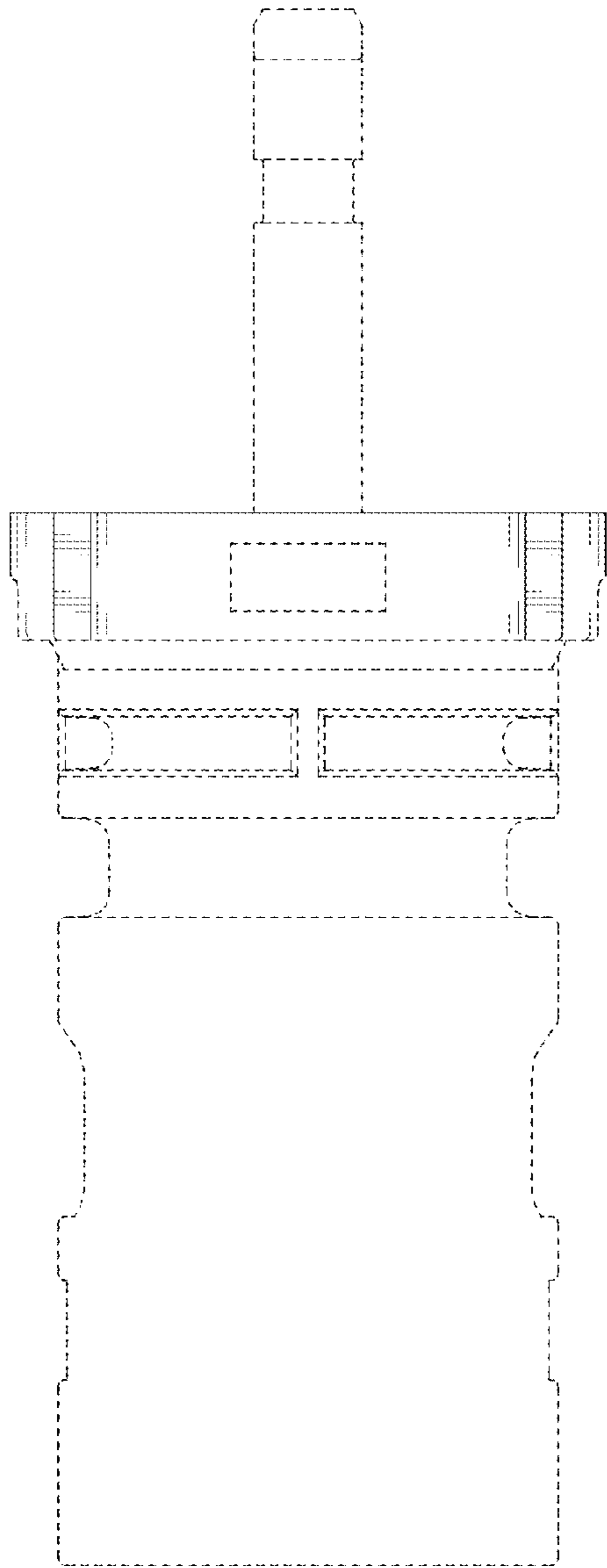


FIG. 4

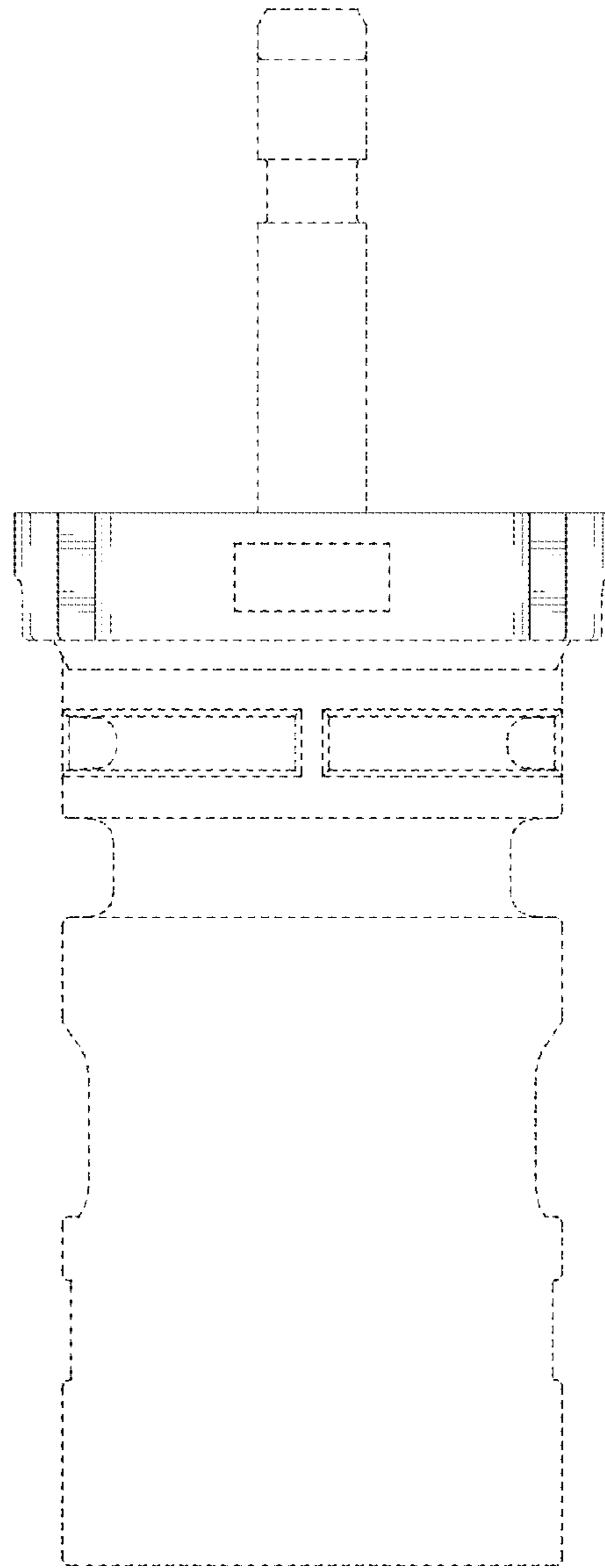


FIG. 5

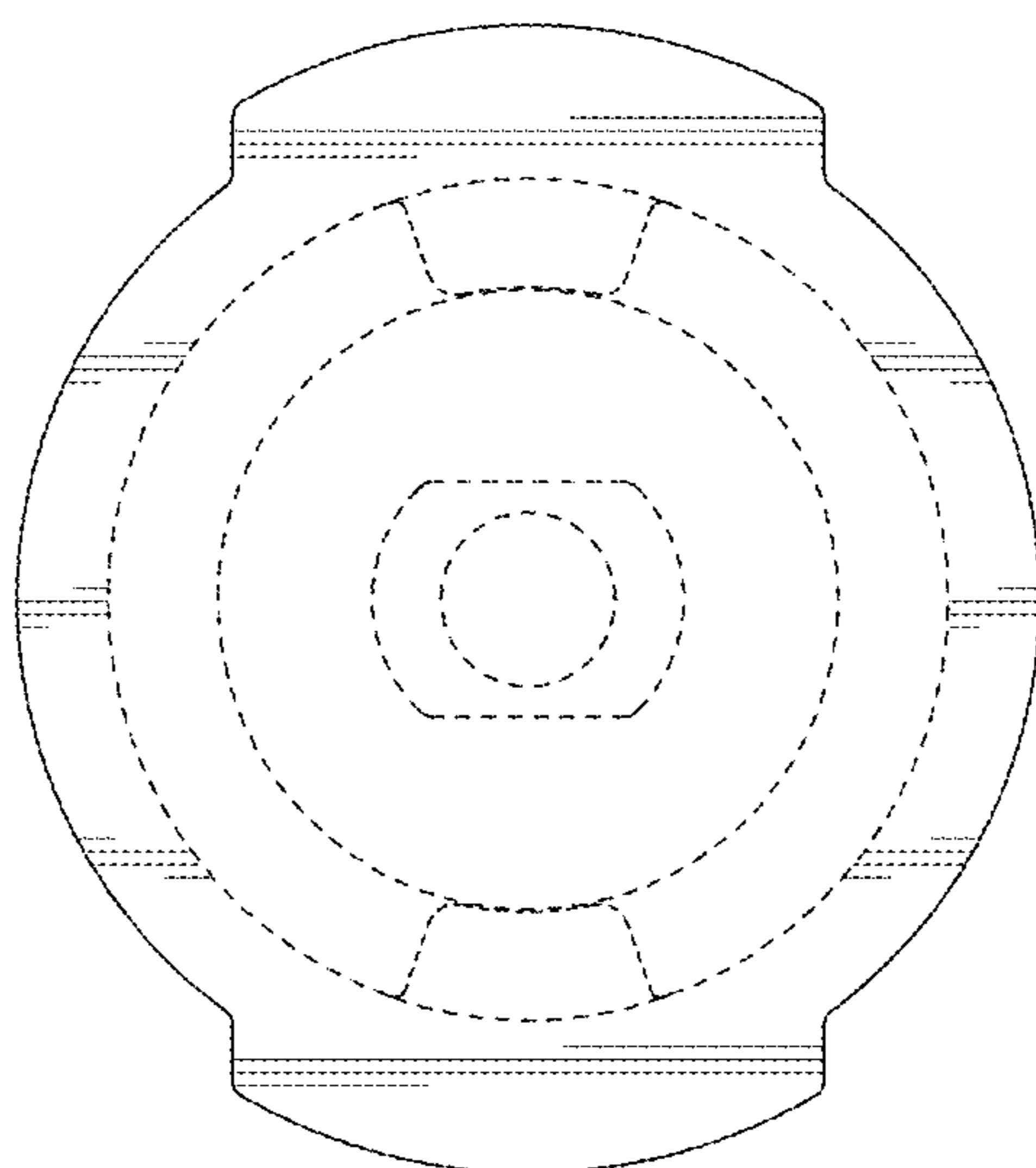


FIG. 6

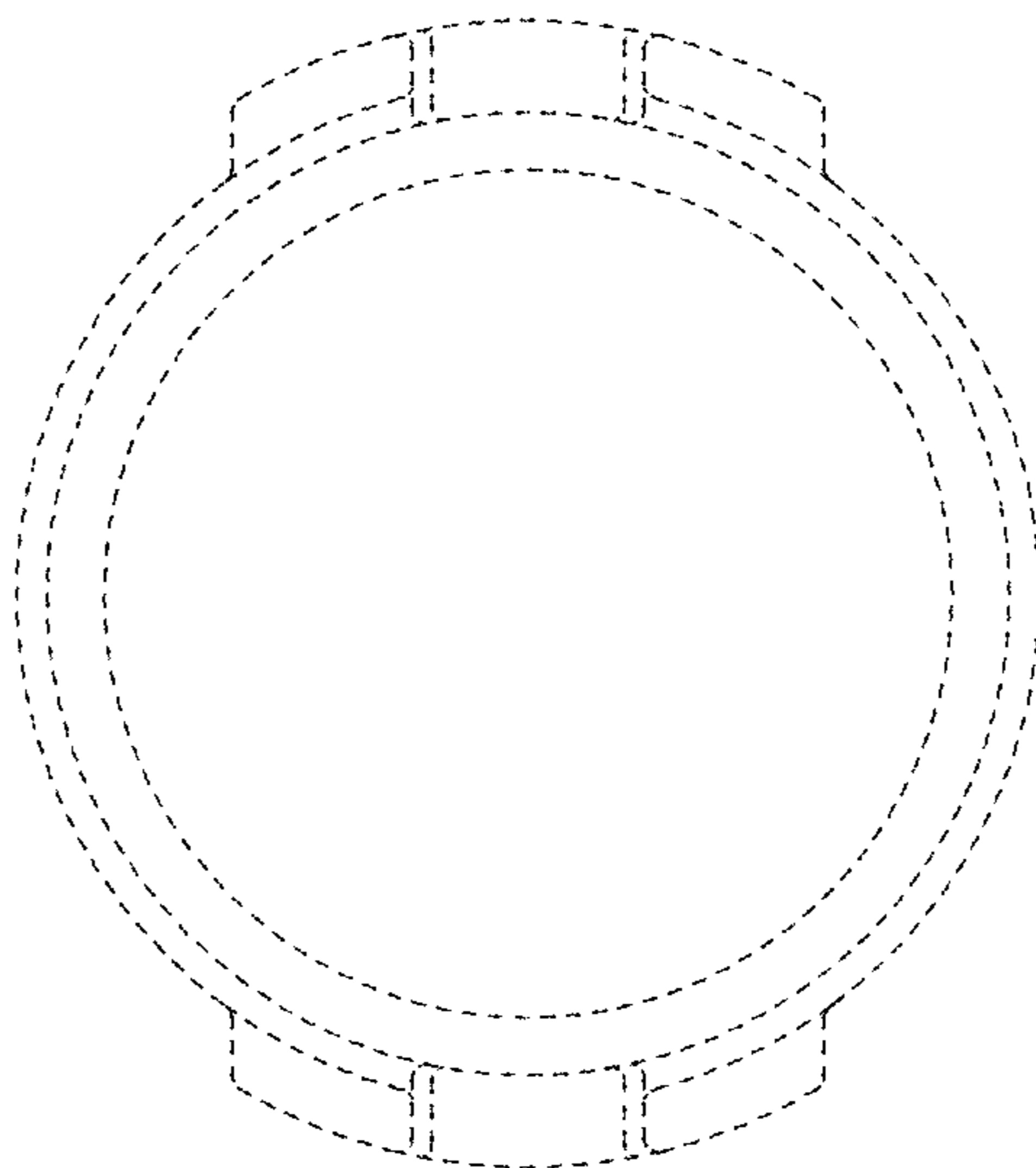


FIG. 7