



US00D736893S

(12) **United States Design Patent**
Iwamoto et al.

(10) **Patent No.:** **US D736,893 S**

(45) **Date of Patent:** **** Aug. 18, 2015**

(54) **POPPET TYPE ON/OFF VALVE**

(71) Applicants: **Takahiro Iwamoto**, Tsukubamirai (JP);
Keisuke Shimauchi, Tsukubamirai (JP)

(72) Inventors: **Takahiro Iwamoto**, Tsukubamirai (JP);
Keisuke Shimauchi, Tsukubamirai (JP)

(73) Assignee: **SMC Corporation**, Chiyoda-ku, Tokyo
(JP)

(**) Term: **14 Years**

(21) Appl. No.: **29/495,414**

(22) Filed: **Jun. 30, 2014**

(30) **Foreign Application Priority Data**

Mar. 25, 2014 (JP) 2014-006320

(51) **LOC (10) Cl.** **23-01**

(52) **U.S. Cl.**
USPC **D23/233**

(58) **Field of Classification Search**
USPC D23/233-237, 244-249; D15/5, 7;
137/15.04, 15.08, 515, 7, 859, 843,
137/332, 529, 533.17, 540, 54, 543.17,
137/512.1; 251/333
CPC F16K 15/00; F16K 15/18; F16K 15/026;
F16K 15/044; B60T 17/04
See application file for complete search history.

(56) **References Cited**

U.S. PATENT DOCUMENTS

D246,908 S *	1/1978	Fetty	D23/233
D259,891 S *	7/1981	Ogniewski	D23/233
D398,705 S *	9/1998	Tourigny	D23/233
D413,374 S *	8/1999	Tine, Jr.	D23/233
D413,650 S *	9/1999	Sato et al.	D23/233
D415,559 S *	10/1999	Sato et al.	D23/233
D504,715 S *	5/2005	Hagihara	D23/235
D558,859 S *	1/2008	Kato et al.	D23/233
D562,436 S *	2/2008	Kato et al.	D23/233

D563,514 S *	3/2008	Mita et al.	D23/233
D603,016 S *	10/2009	Matsumura	D23/233
D609,307 S *	2/2010	Moriyama	D23/233
D610,652 S *	2/2010	Ben-Nun	D23/233
D615,618 S *	5/2010	Someya	D23/233
D632,362 S *	2/2011	Ito et al.	D23/233
D633,986 S *	3/2011	Ito et al.	D23/233
D676,110 S *	2/2013	Oike et al.	D23/233
D677,363 S *	3/2013	Norlander et al.	D23/233
D692,983 S *	11/2013	Nissen et al.	D23/233
D693,429 S *	11/2013	Thibodeaux, Jr.	D23/233
D698,899 S *	2/2014	Narita	D23/233
D706,392 S *	6/2014	Oike	D23/233
D712,513 S *	9/2014	Kainuma et al.	D23/233
D720,430 S *	12/2014	Yoshida et al.	D23/233
D722,674 S *	2/2015	Lipkens et al.	D23/207
2009/0272194 A1 *	11/2009	Weingarten	73/700

* cited by examiner

Primary Examiner — Cynthia Ramirez

(74) *Attorney, Agent, or Firm* — Yokoi & Co., U.S.A.;
Toshiyuki Yokoi

(57) **CLAIM**

The ornamental design for a poppet type on/off valve, as shown and described.

DESCRIPTION

FIG. 1 shows a front view of a poppet type on/off valve showing our new design;
FIG. 2 shows a rear view thereof;
FIG. 3 shows a right side view thereof;
FIG. 4 shows a left side view thereof;
FIG. 5 shows a top view thereof;
FIG. 6 shows a bottom view thereof;
FIG. 7 shows a top, front and left side perspective view thereof; and,
FIG. 8 shows a bottom, rear and right side perspective view thereof.
The portions of the design shown in broken lines in FIGS. 1-8 are for the purpose of illustrating the environment only and form no part of the claimed design.

1 Claim, 7 Drawing Sheets

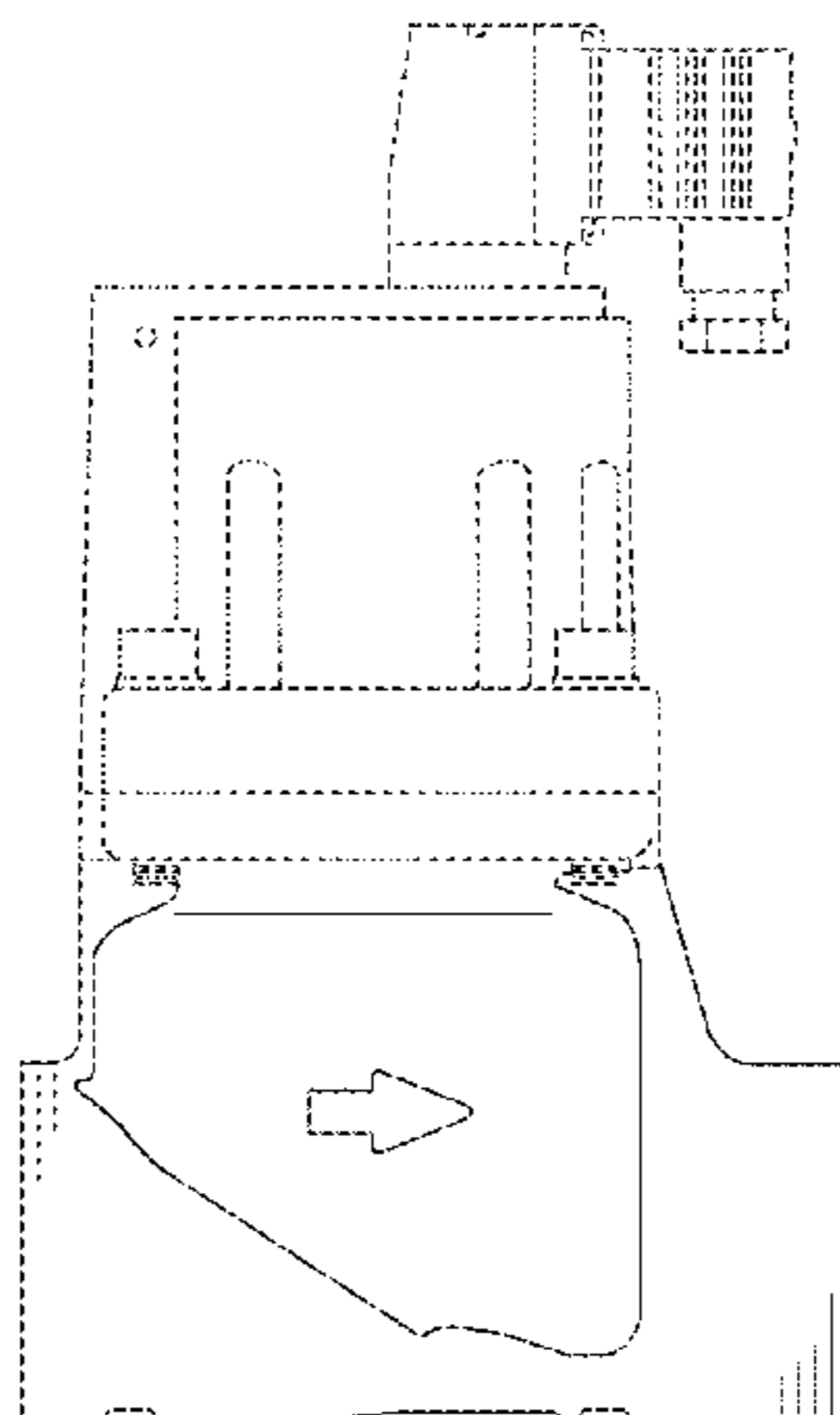


FIG. 1

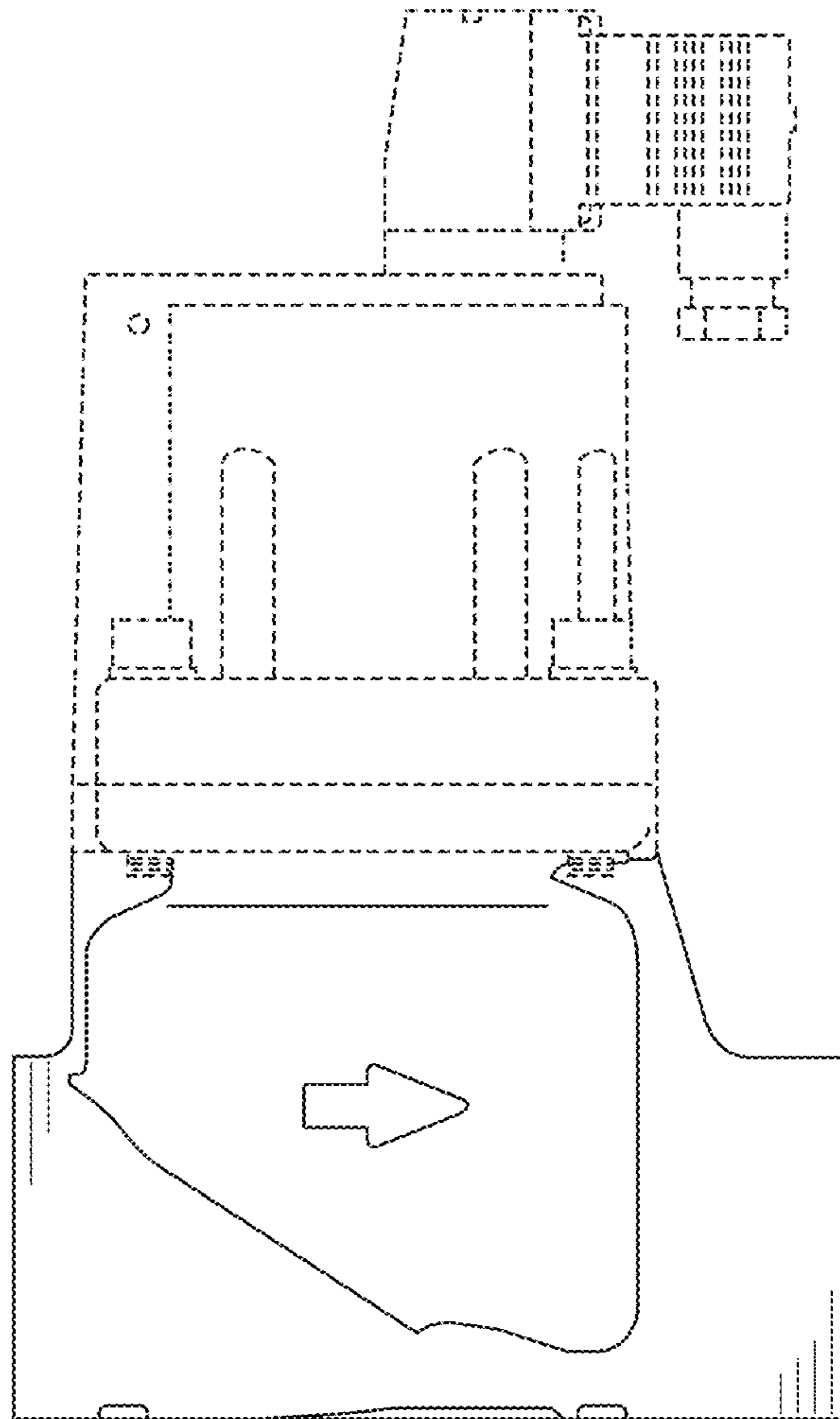


FIG. 2

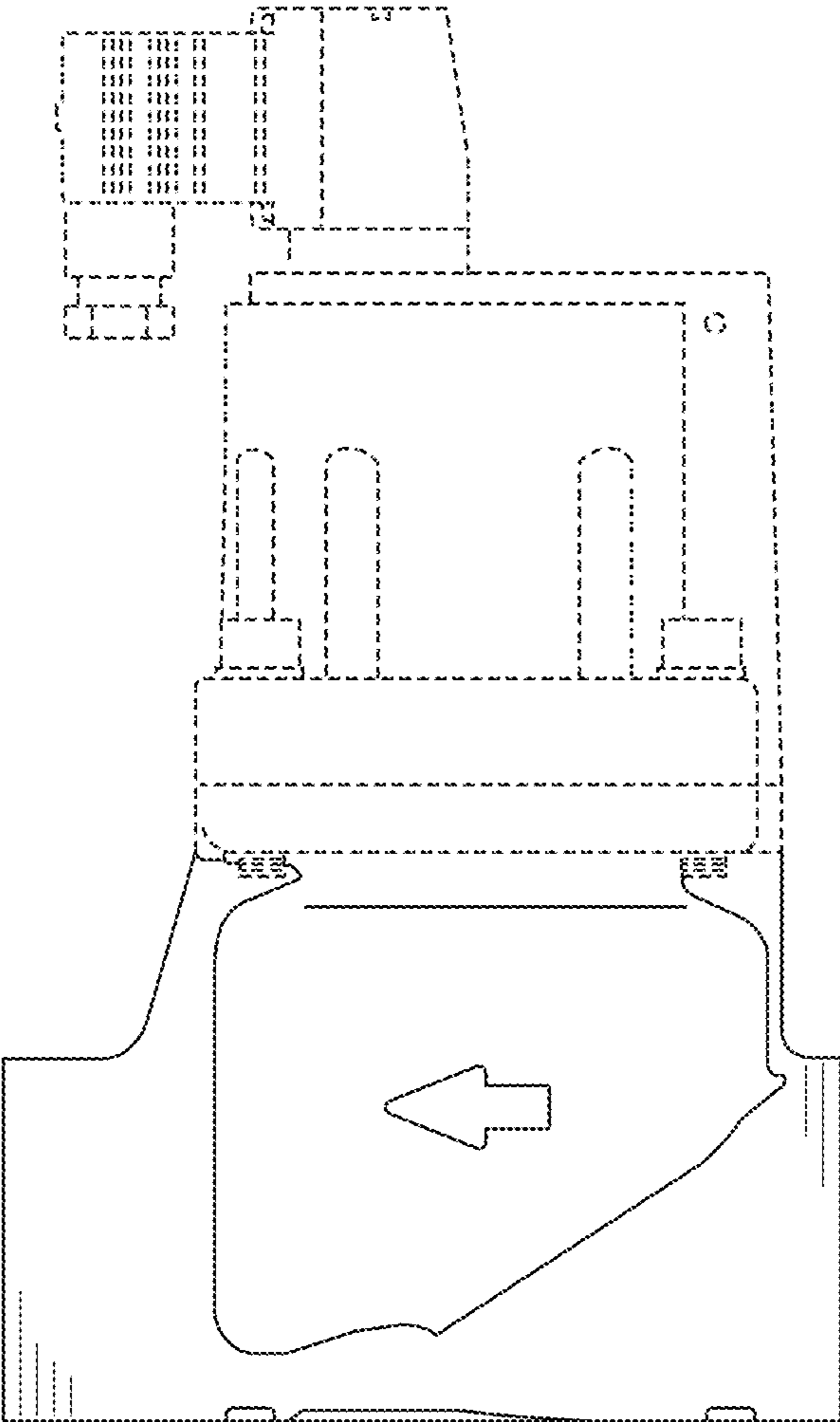


FIG. 3

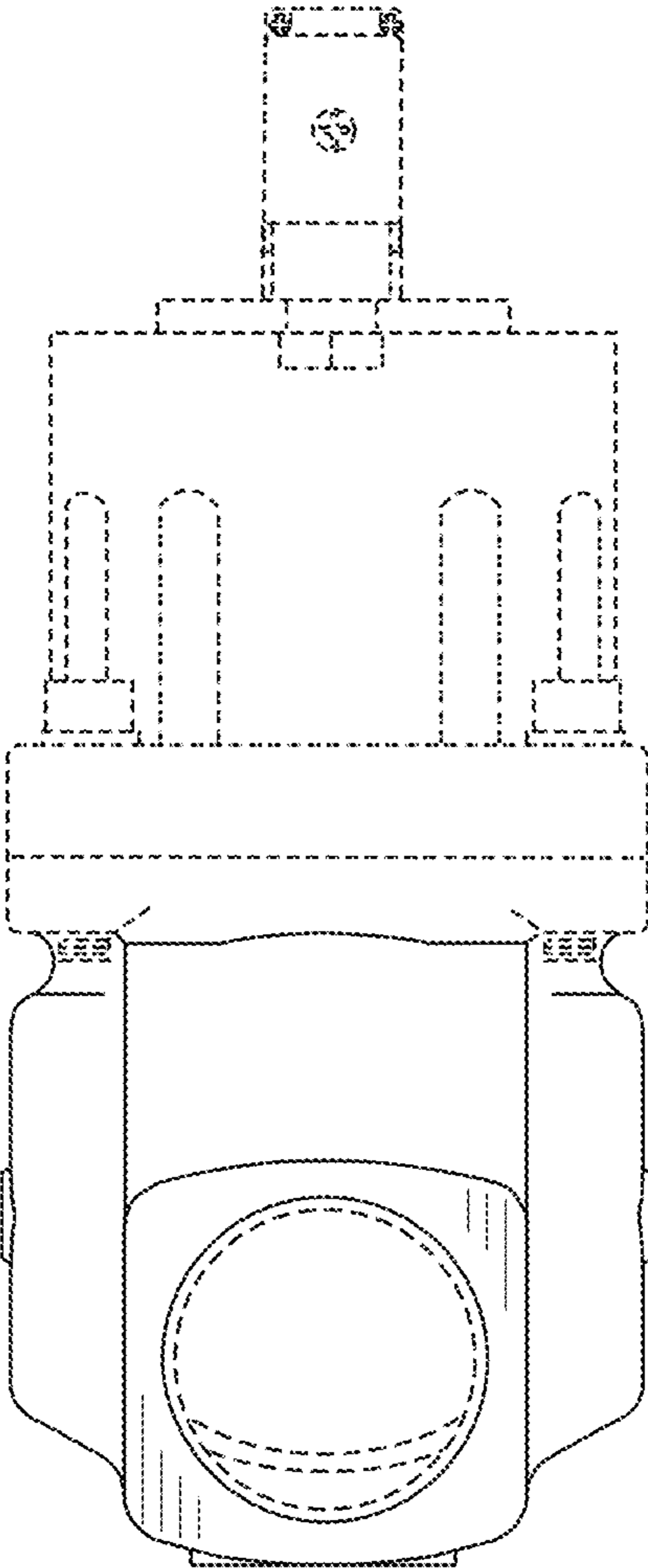


FIG. 4

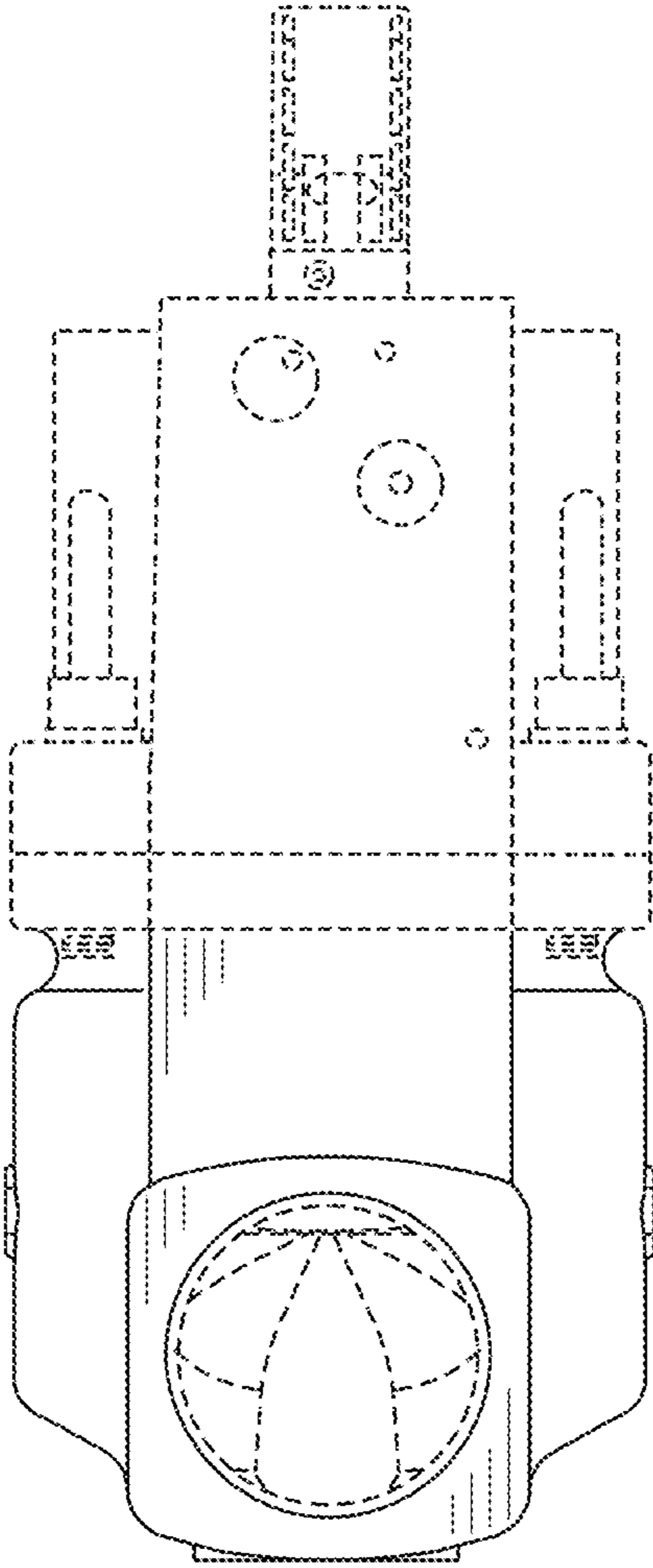


FIG. 5

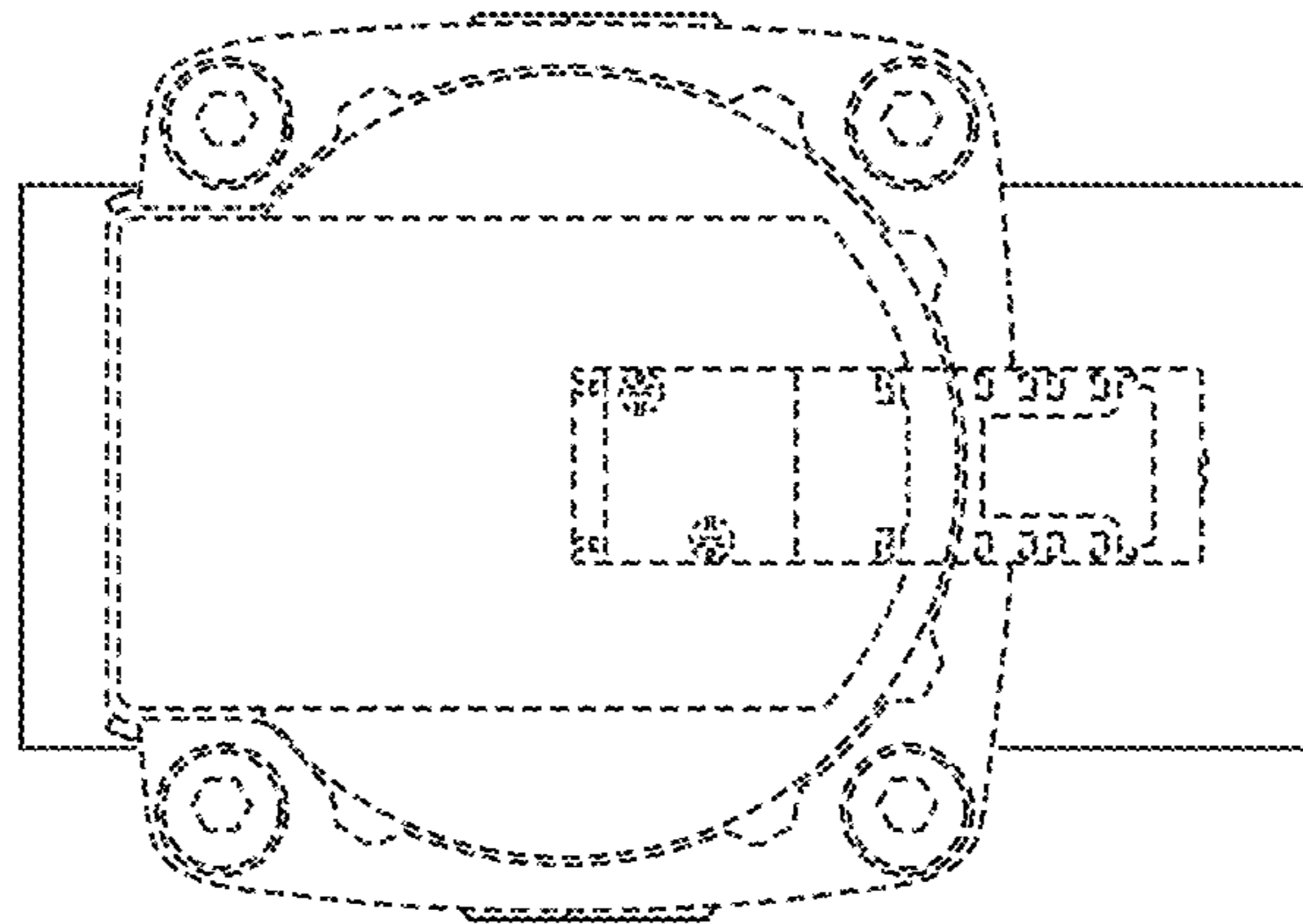


FIG. 6

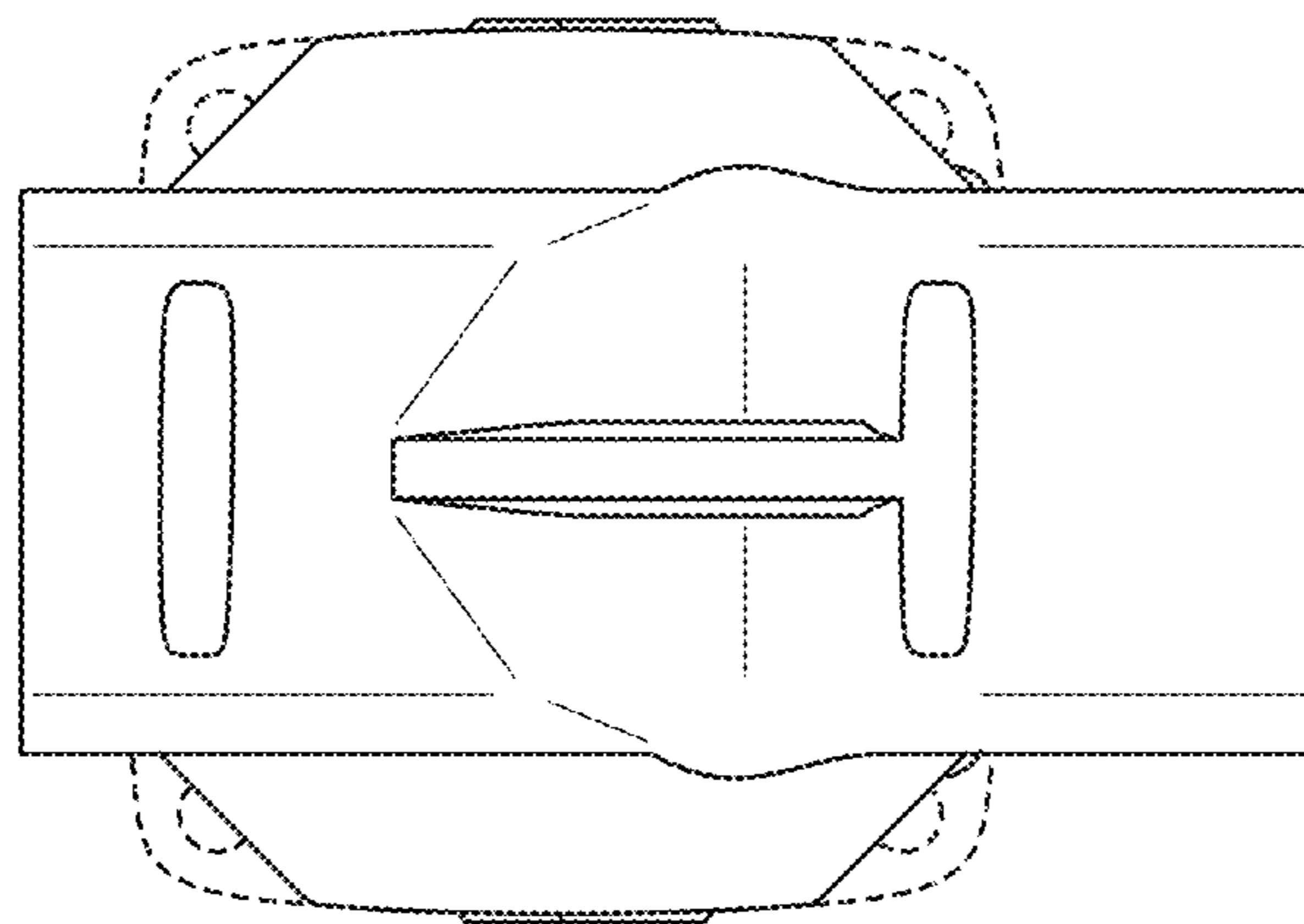


FIG. 7

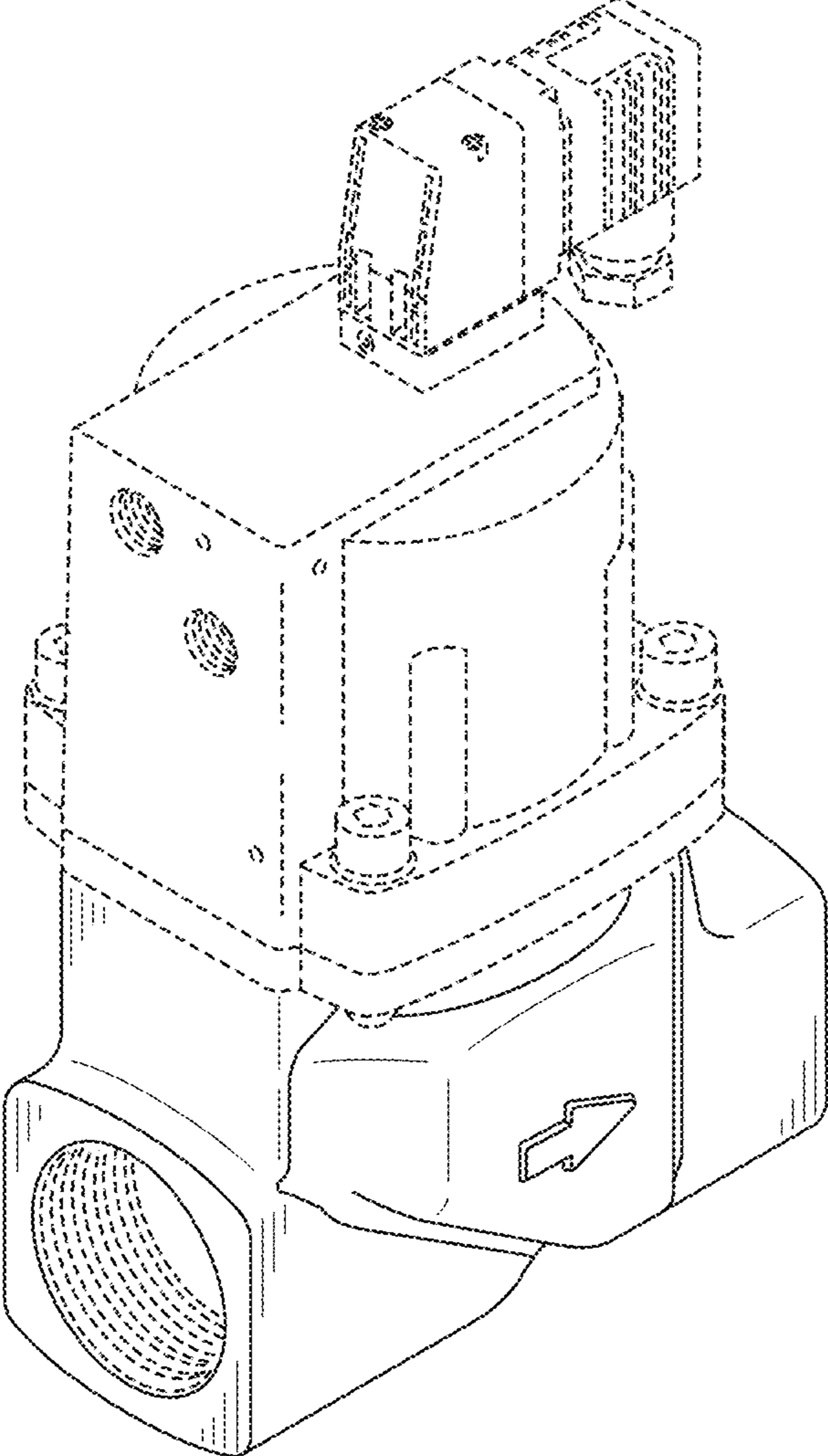


FIG. 8

