



US00D736892S

(12) **United States Design Patent**
Iwamoto et al.

(10) **Patent No.:** **US D736,892 S**

(45) **Date of Patent:** **** Aug. 18, 2015**

(54) **POPPET TYPE ON/OFF VALVE**

(71) Applicants: **Takahiro Iwamoto**, Tsukubamirai (JP);
Keisuke Shimauchi, Tsukubamirai (JP)

(72) Inventors: **Takahiro Iwamoto**, Tsukubamirai (JP);
Keisuke Shimauchi, Tsukubamirai (JP)

(73) Assignee: **SMC Corporation**, Chiyoda-ku, Tokyo
(JP)

(**) Term: **14 Years**

(21) Appl. No.: **29/495,413**

(22) Filed: **Jun. 30, 2014**

(30) **Foreign Application Priority Data**

Mar. 25, 2014 (JP) 2014-006319

(51) **LOC (10) Cl.** **23-01**

(52) **U.S. Cl.**
USPC **D23/233**

(58) **Field of Classification Search**

USPC D23/233-237, 244-249; D15/5, 7;
137/15.04, 15.08, 515, 7, 859, 843,
137/332, 529, 533.17, 540, 54, 543.17,
137/512.1; 251/333

CPC F16K 15/00; F16K 15/18; F16K 15/026;
F16K 15/044; B60T 17/04

See application file for complete search history.

(56) **References Cited**

U.S. PATENT DOCUMENTS

D246,908 S * 1/1978 Fetty D23/233
D259,891 S * 7/1981 Ogniewski D23/233
D398,705 S * 9/1998 Tourigny D23/233
D413,374 S * 8/1999 Tine, Jr. D23/233
D413,650 S * 9/1999 Sato et al. D23/233
D415,559 S * 10/1999 Sato et al. D23/233
D504,715 S * 5/2005 Hagihara D23/235
D558,859 S * 1/2008 Kato et al. D23/233
D562,436 S * 2/2008 Kato et al. D23/233

D563,514 S * 3/2008 Mita et al. D23/233
D603,016 S * 10/2009 Matsumura D23/233
D609,307 S * 2/2010 Moriyama D23/233
D610,652 S * 2/2010 Ben-Nun D23/233
D615,618 S * 5/2010 Someya D23/233
D632,362 S * 2/2011 Ito et al. D23/233
D633,986 S * 3/2011 Ito et al. D23/233
D676,110 S * 2/2013 Oike et al. D23/233
D677,363 S * 3/2013 Norlander et al. D23/233
D692,983 S * 11/2013 Nissen et al. D23/233
D693,429 S * 11/2013 Thibodeaux, Jr. D23/233
D698,899 S * 2/2014 Narita D23/233
D706,392 S * 6/2014 Oike D23/233

(Continued)

Primary Examiner — Cynthia Ramirez

(74) *Attorney, Agent, or Firm* — Yokoi & Co., U.S.A.;
Toshiyuki Yokoi

(57) **CLAIM**

The ornamental design for a poppet type on/off valve, as shown and described.

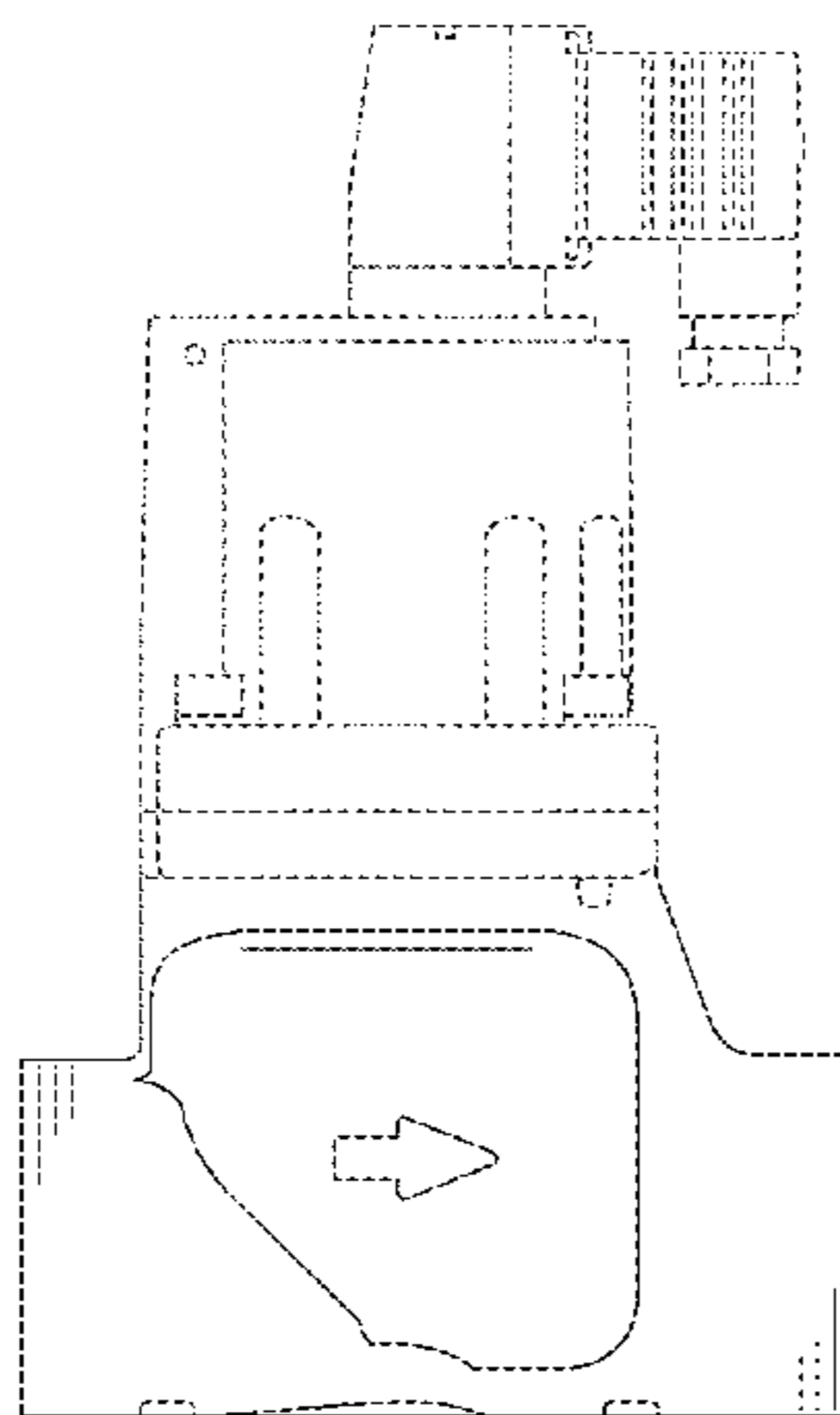
DESCRIPTION

FIG. 1 shows a front view of a poppet type on/off valve showing our new design;
FIG. 2 shows a rear view thereof;
FIG. 3 shows a right side view thereof;
FIG. 4 shows a left side view thereof;
FIG. 5 shows a top view thereof;
FIG. 6 shows a bottom view thereof;
FIG. 7 shows a top, front and left side perspective view thereof; and,
FIG. 8 shows a bottom, rear and right side perspective view thereof.

The portions of the design shown in broken lines in FIGS. 1-8 are for the purpose of illustrating the environment only and form no part of the claimed design.

The present article is a poppet type on/off valve provided with an input port on a lower part of the left side and an output port on a lower part of the right side. These ports can be communicated and interrupted by a built in poppet valve.

1 Claim, 7 Drawing Sheets



US D736,892 S

Page 2

(56)

References Cited

U.S. PATENT DOCUMENTS

D720,430 S *	12/2014	Yoshida et al.	D23/233
D722,674 S *	2/2015	Lipkens et al.	D23/207
2009/0272194 A1*	11/2009	Weingarten	73/700
D712,513 S *	9/2014	Kainuma et al.	D23/233

* cited by examiner

FIG. 1

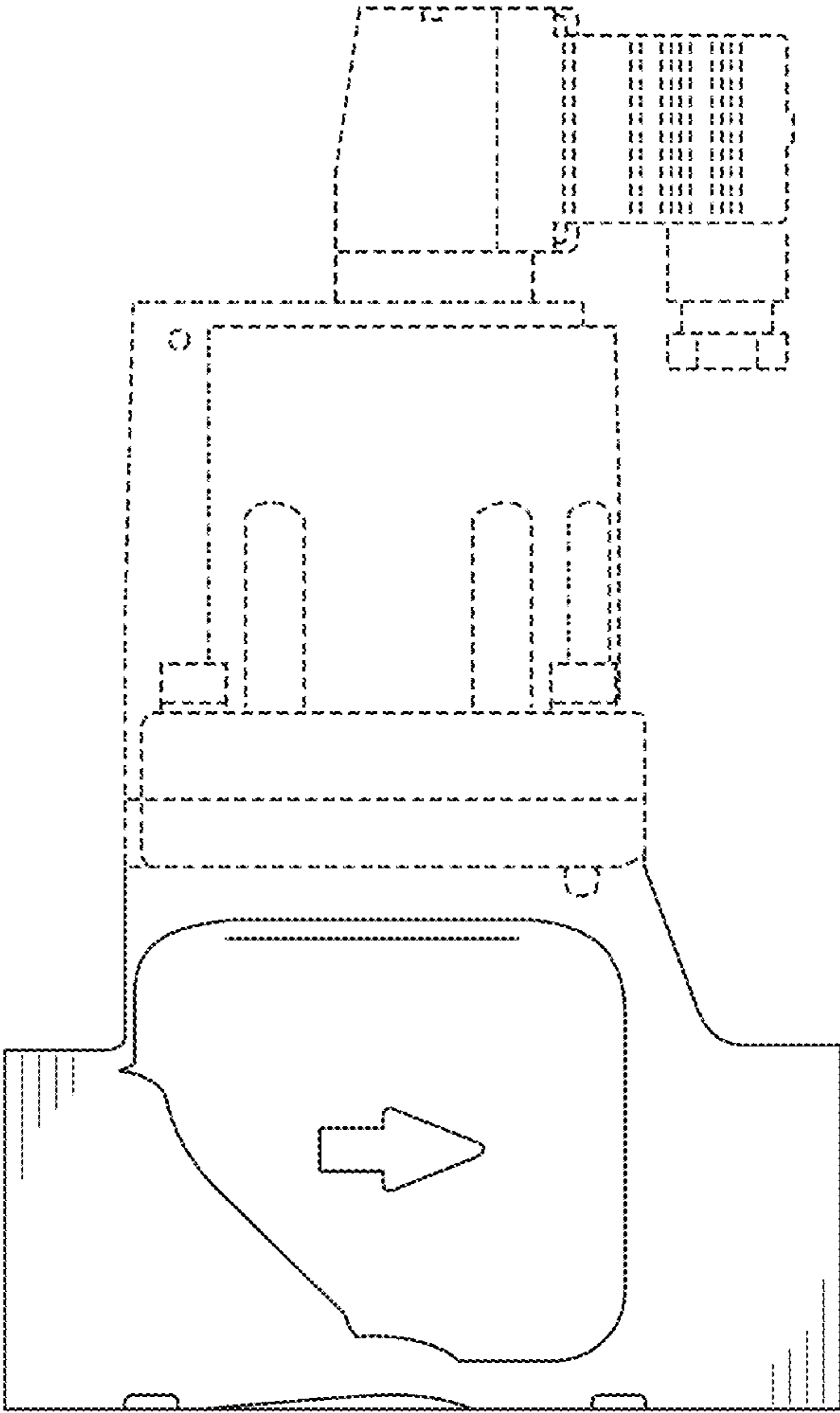


FIG. 2

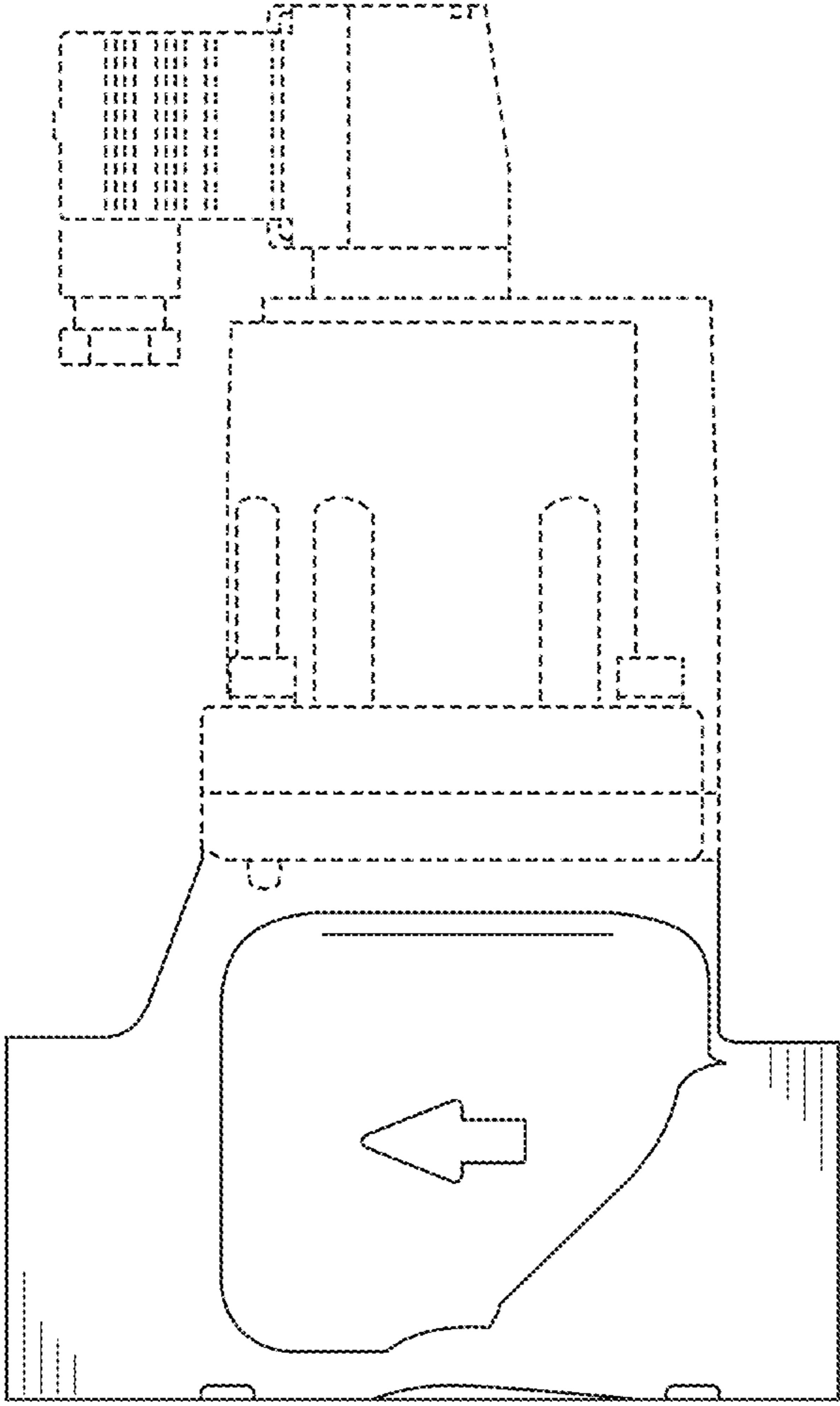


FIG. 3

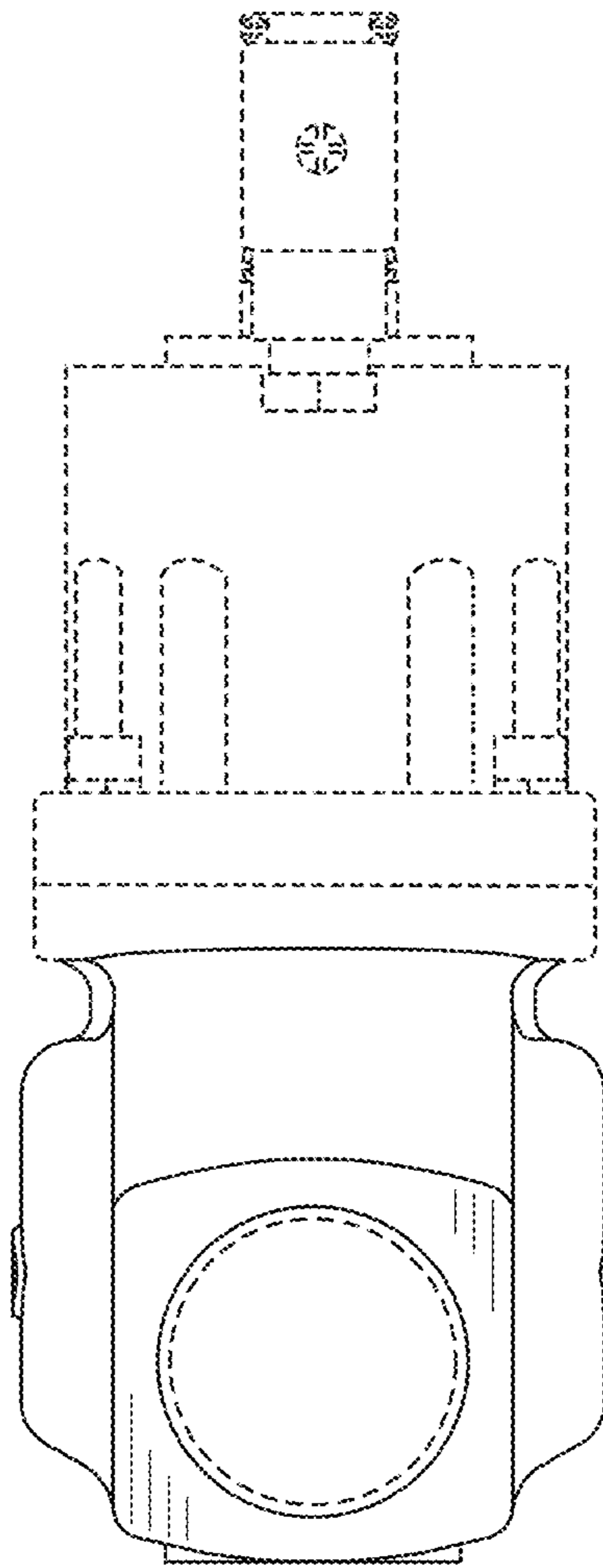


FIG. 4

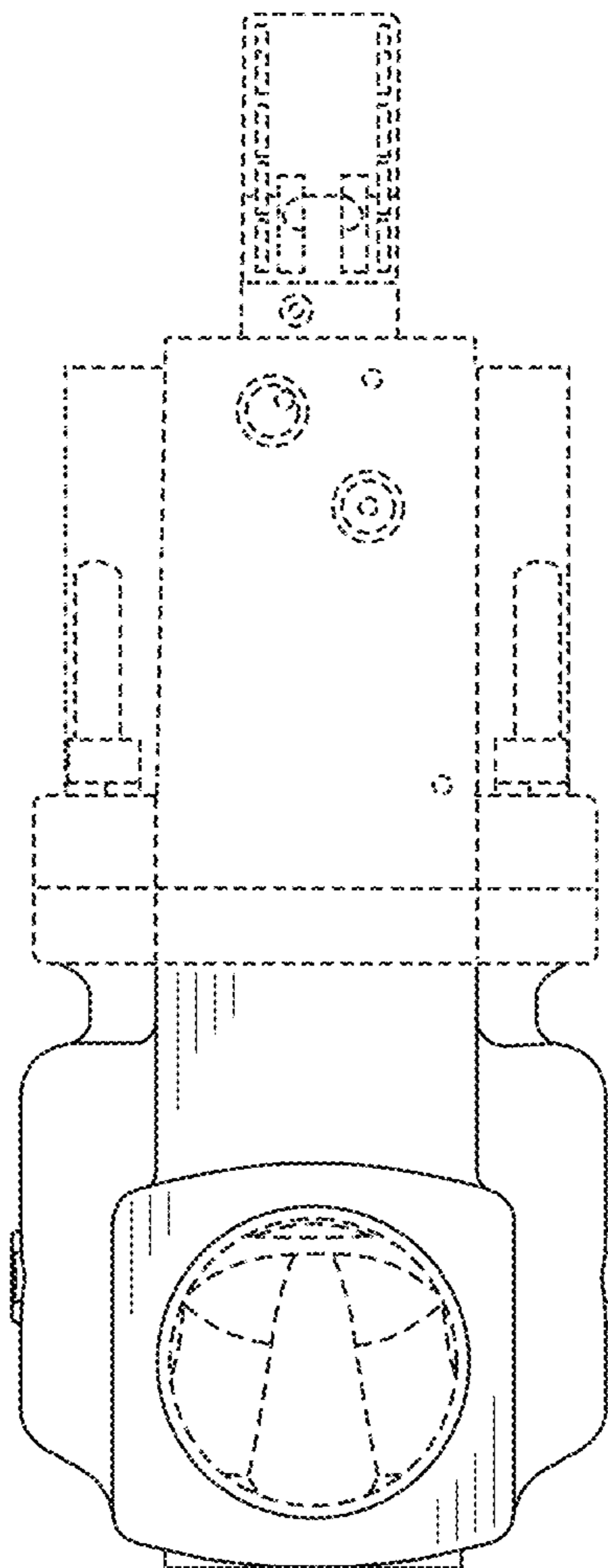


FIG. 5

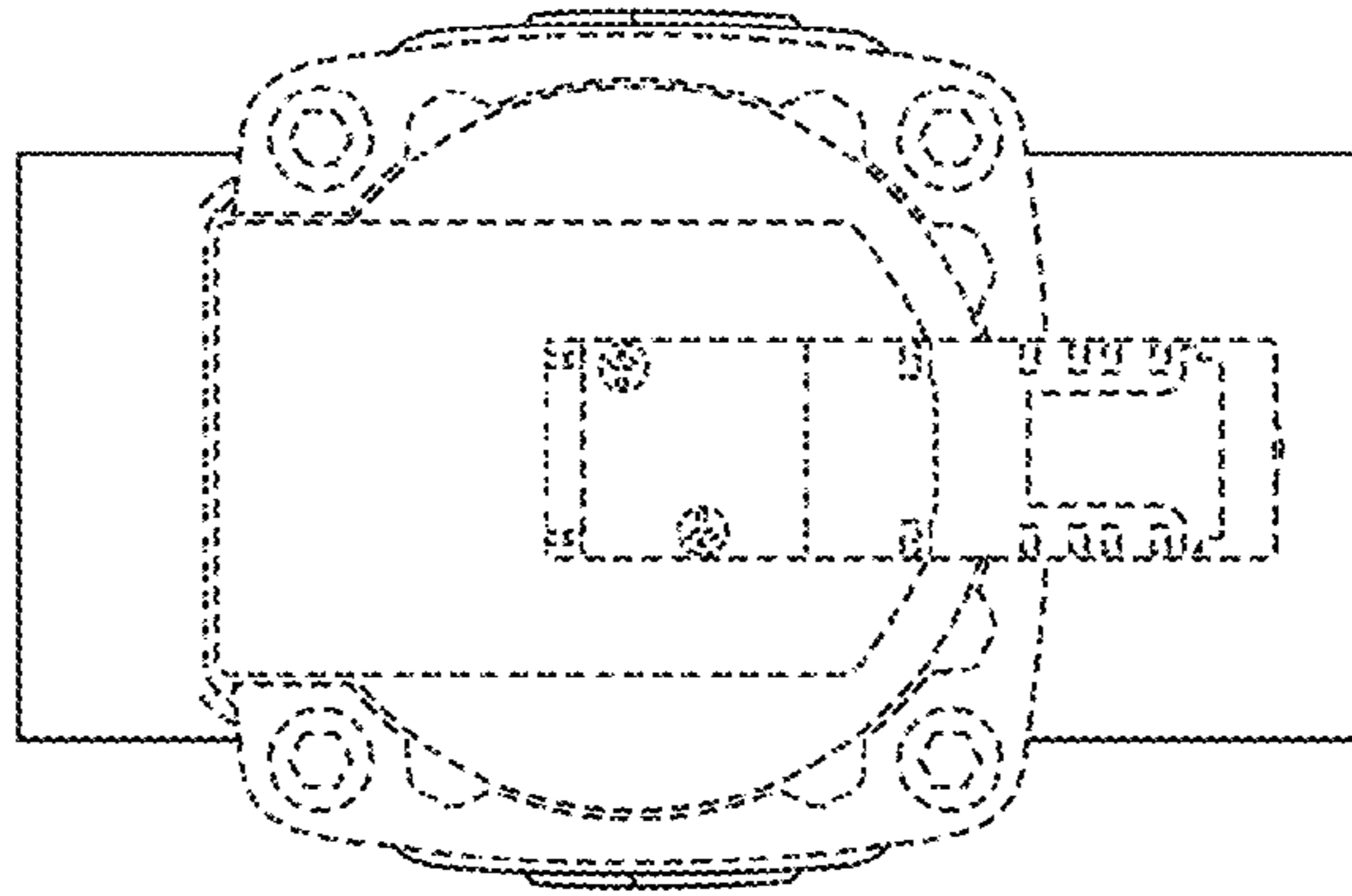


FIG. 6

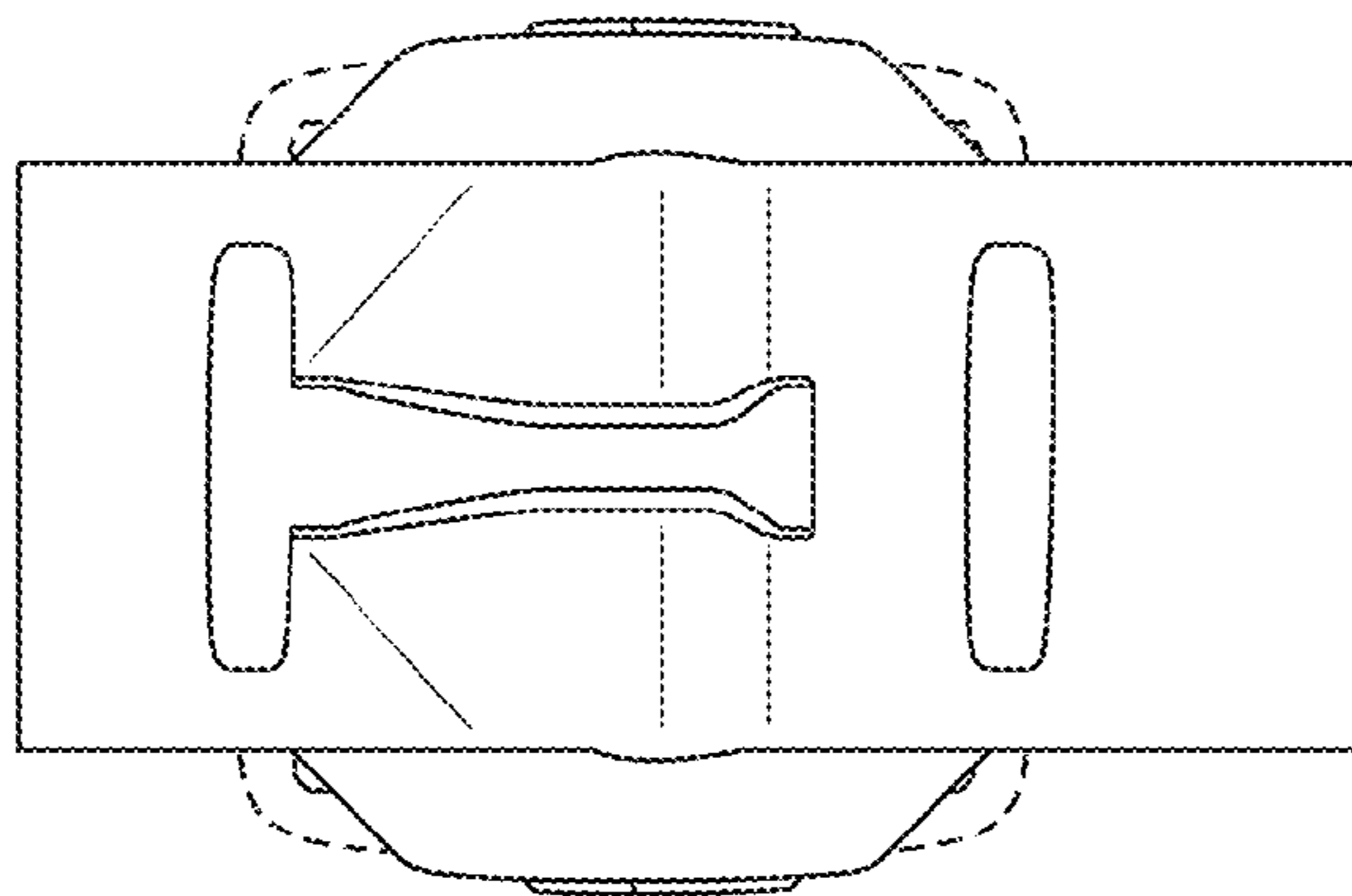


FIG. 7

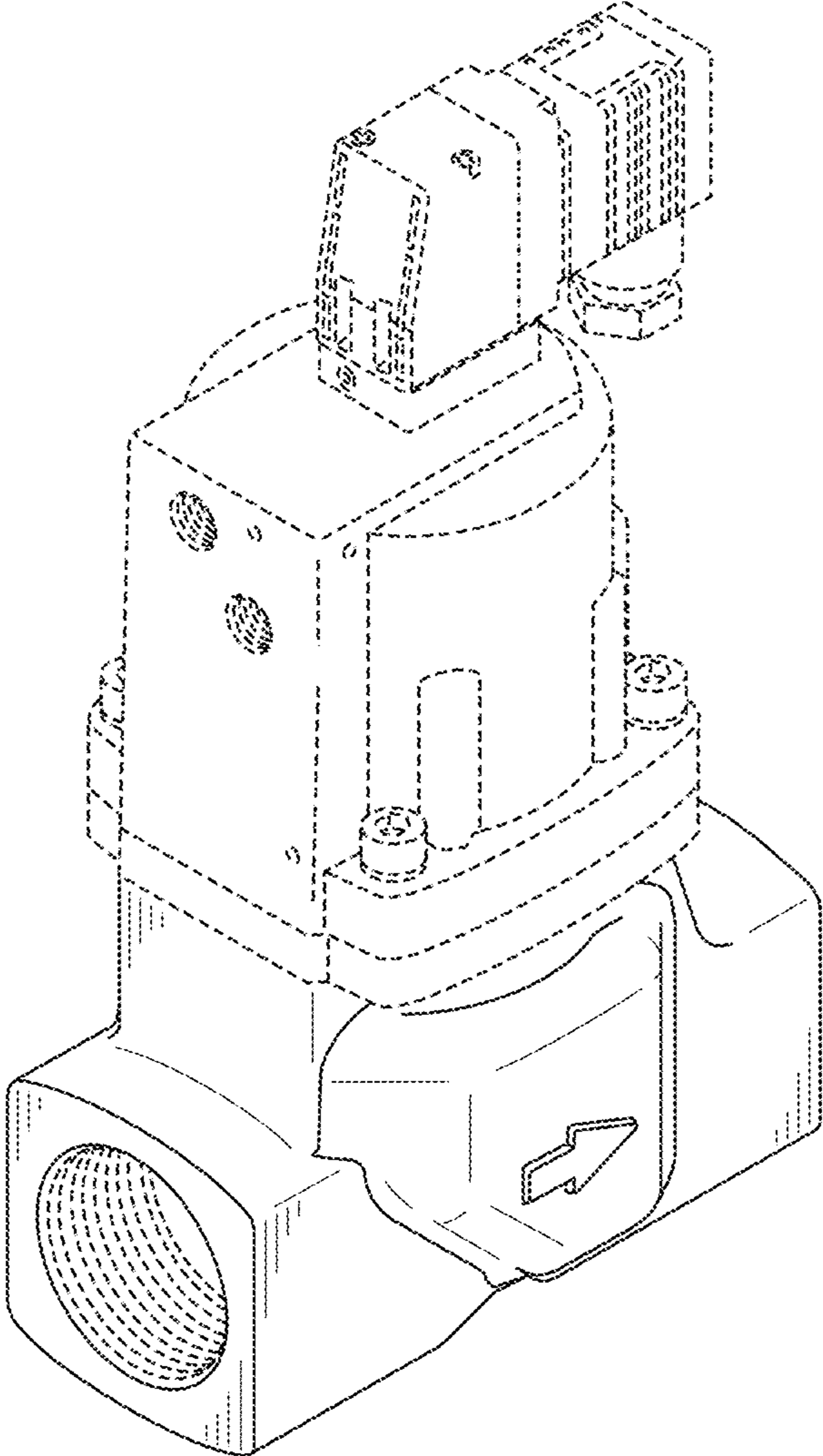


FIG. 8

