

US00D736890S

(12) **United States Design Patent**  
**Park et al.**

(10) **Patent No.:** **US D736,890 S**

(45) **Date of Patent:** **\*\* Aug. 18, 2015**

(54) **HOUSING FOR A WATER TREATMENT  
SYSTEM CONTROL VALVE**

(56)

**References Cited**

U.S. PATENT DOCUMENTS

(71) Applicants: **Stuart L. Park**, Chardon, OH (US);  
**Francis A. Red**, Parma, OH (US)

3,208,476 A	9/1965	Clack
D215,438 S	10/1969	Holm
3,687,269 A	8/1972	Fritz et al.
3,891,552 A	6/1975	Prior et al.
D271,421 S	11/1983	Fetterman
5,910,244 A	6/1999	Stamos et al.
6,189,556 B1	2/2001	Blake et al.
6,214,214 B1	4/2001	Hansen et al.
D495,030 S	8/2004	Lillback
D499,170 S	11/2004	Park
D511,559 S	11/2005	Lillback
D518,876 S	4/2006	Park
D538,890 S	3/2007	Park
D674,468 S	1/2013	Weingarten
D687,124 S	7/2013	Weingarten
D700,283 S	* 2/2014	Park et al. .... D23/233

(72) Inventors: **Stuart L. Park**, Chardon, OH (US);  
**Francis A. Red**, Parma, OH (US)

(73) Assignee: **KINETICO INCORPORATED**,  
Newbury, OH (US)

(\*\*) Term: **14 Years**

(21) Appl. No.: **29/480,782**

(22) Filed: **Jan. 29, 2014**

**Related U.S. Application Data**

(62) Division of application No. 29/405,219, filed on Oct.  
31, 2011, now Pat. No. Des. 700,283.

(51) **LOC (10) Cl.** ..... **23-01**

(52) **U.S. Cl.**  
USPC ..... **D23/233**

(58) **Field of Classification Search**  
USPC ..... D23/233-233, 244-249; 137/624.14,  
137/624.18, 332, 625.46, 557; 251/59,  
251/30.05; 210/87, 88, 89, 190-192, 288,  
210/662

See application file for complete search history.

\* cited by examiner

*Primary Examiner* — Cynthia Ramirez

(74) *Attorney, Agent, or Firm* — Tarolli, Sundheim, Covell  
& Tummino LLP

(57)

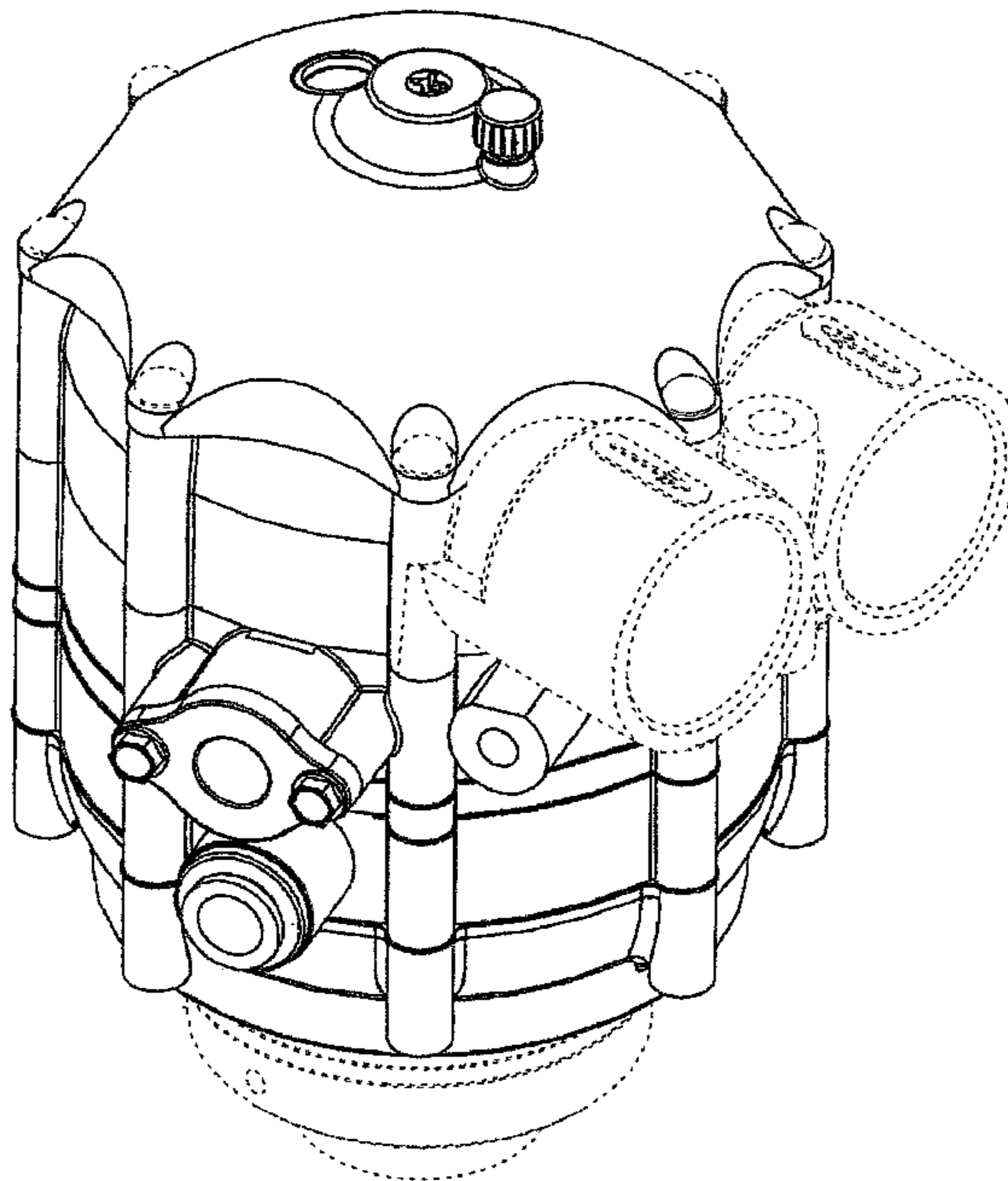
**CLAIM**

The ornamental design for a housing for a water treatment  
system control valve, as shown and described.

**DESCRIPTION**

FIG. 1 is a perspective view for housing for a water treatment  
system control valve of the present invention;  
FIG. 2 is a rear elevational view thereof;  
FIG. 3 is a left side elevational view thereof;  
FIG. 4 is a front elevational view thereof;  
FIG. 5 is a right side elevational view thereof;  
FIG. 6 is a bottom plan view thereof; and,  
FIG. 7 is a top plan view thereof.

**1 Claim, 4 Drawing Sheets**



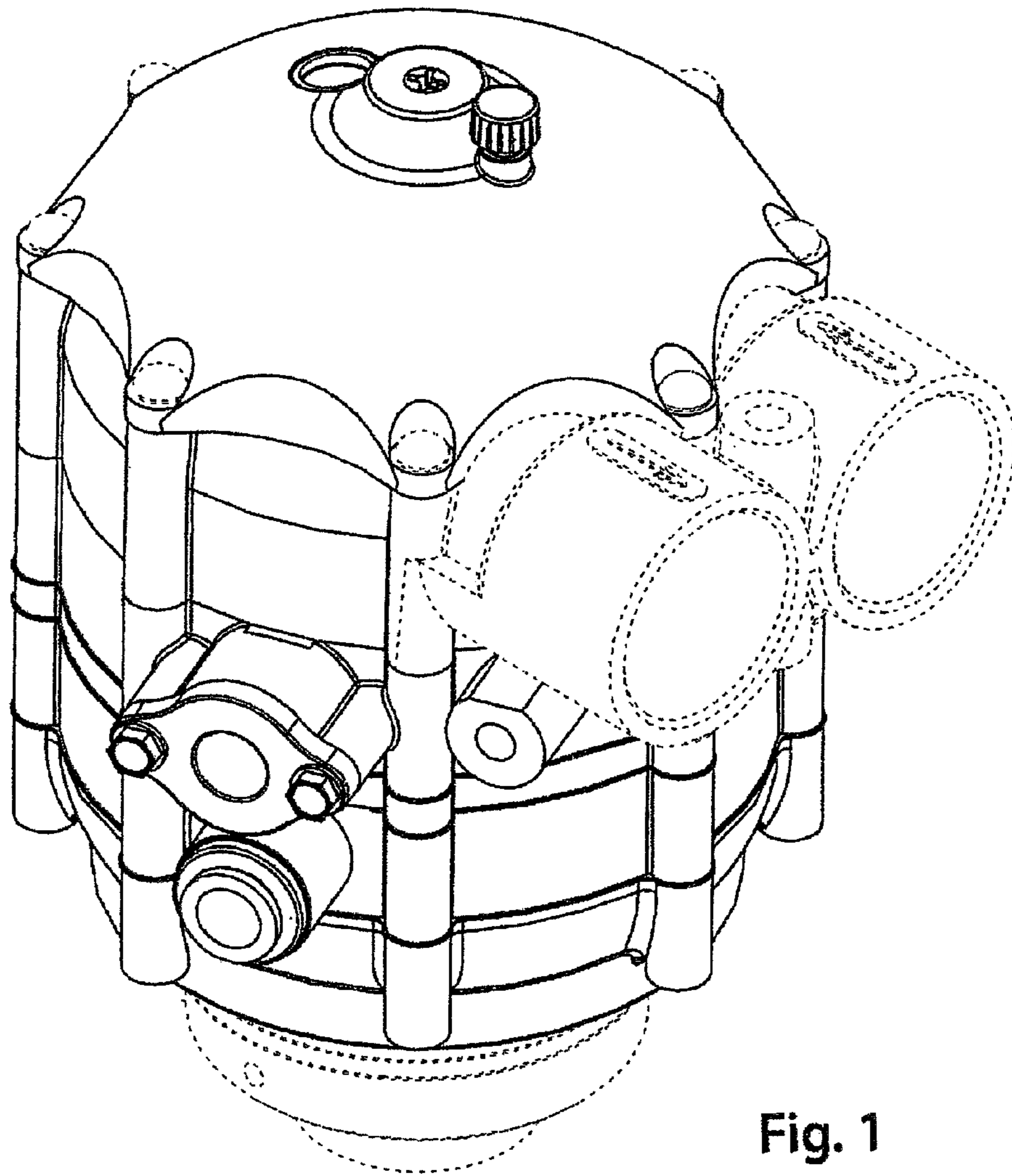


Fig. 1

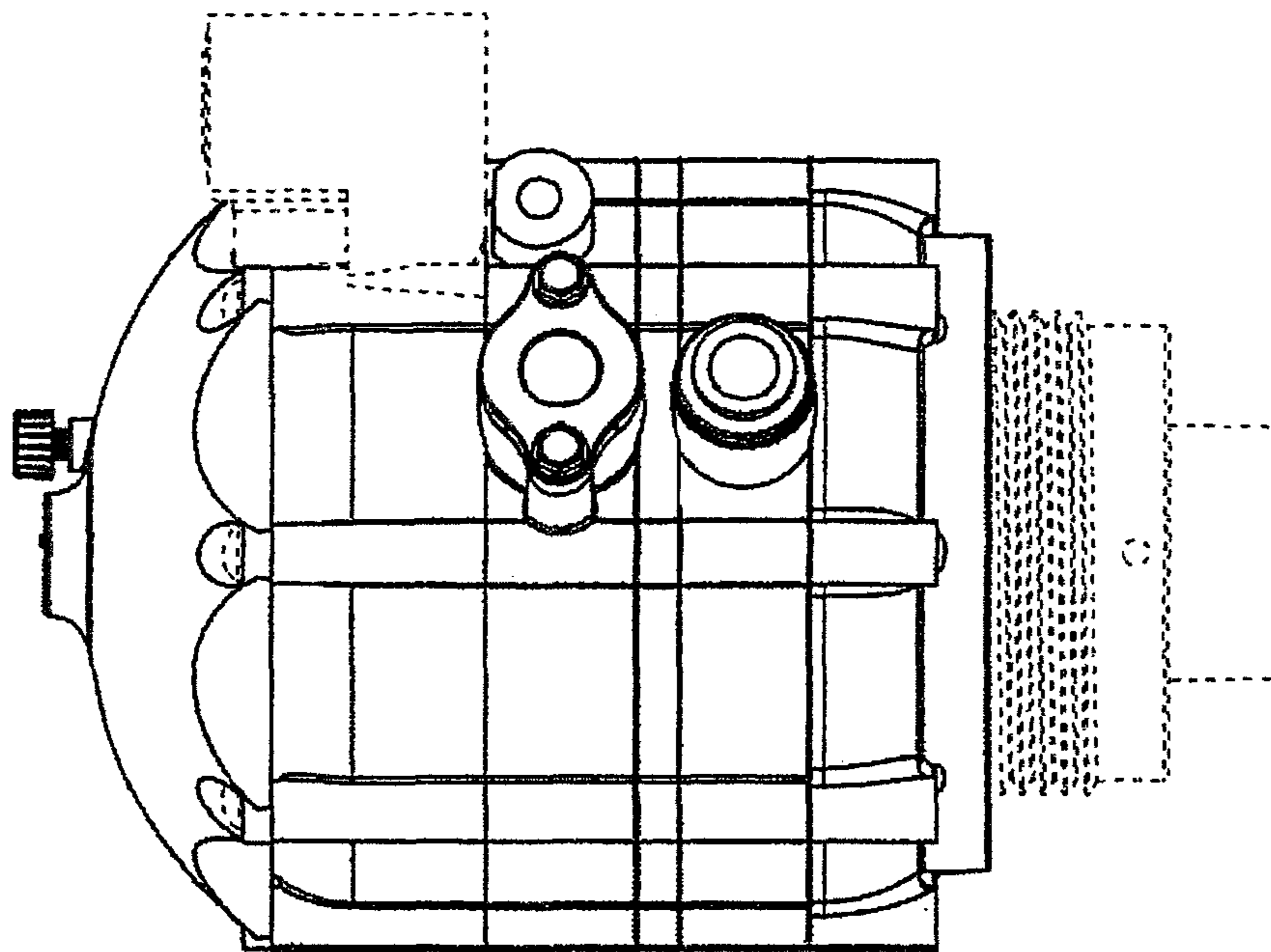


Fig. 3

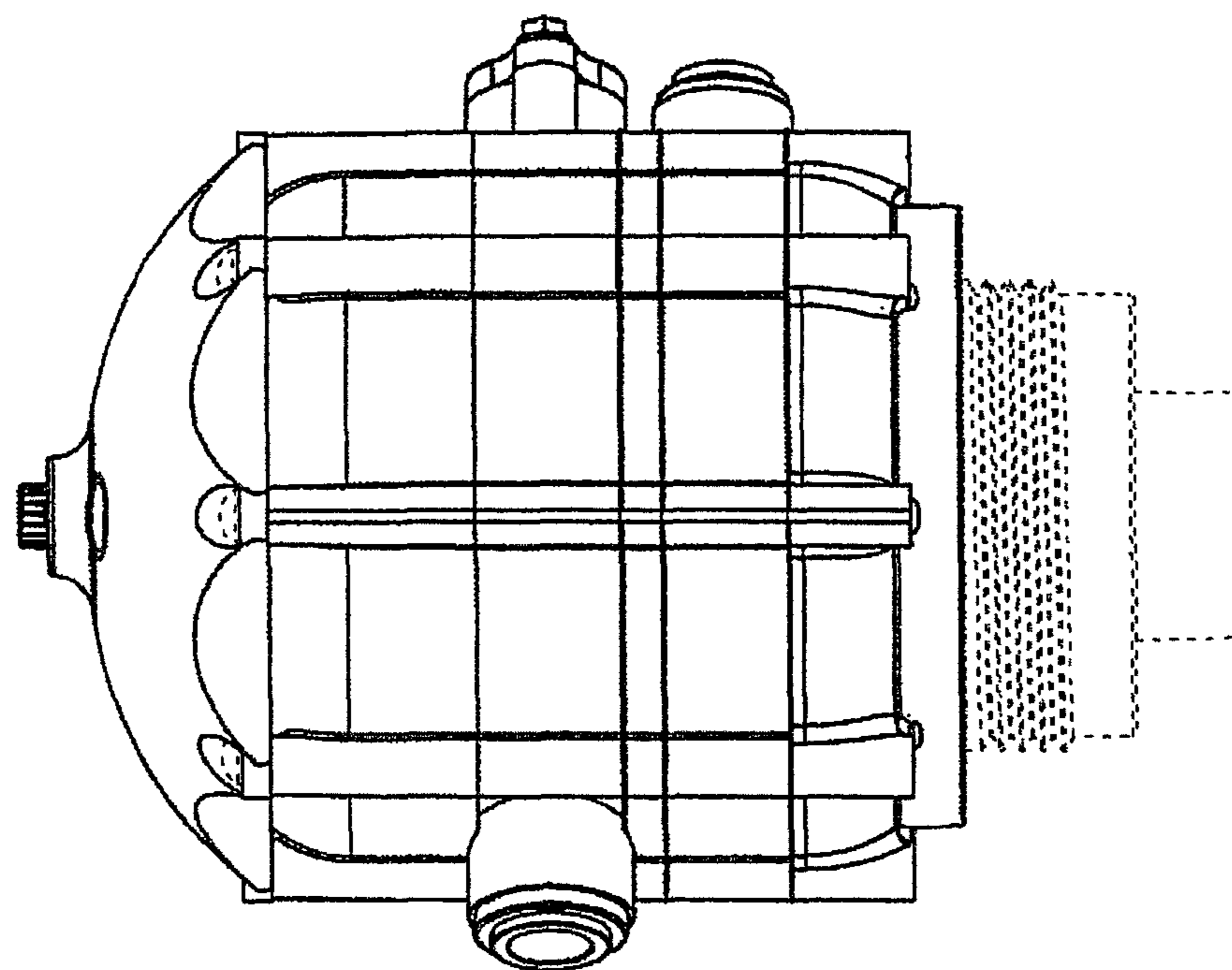


Fig. 2

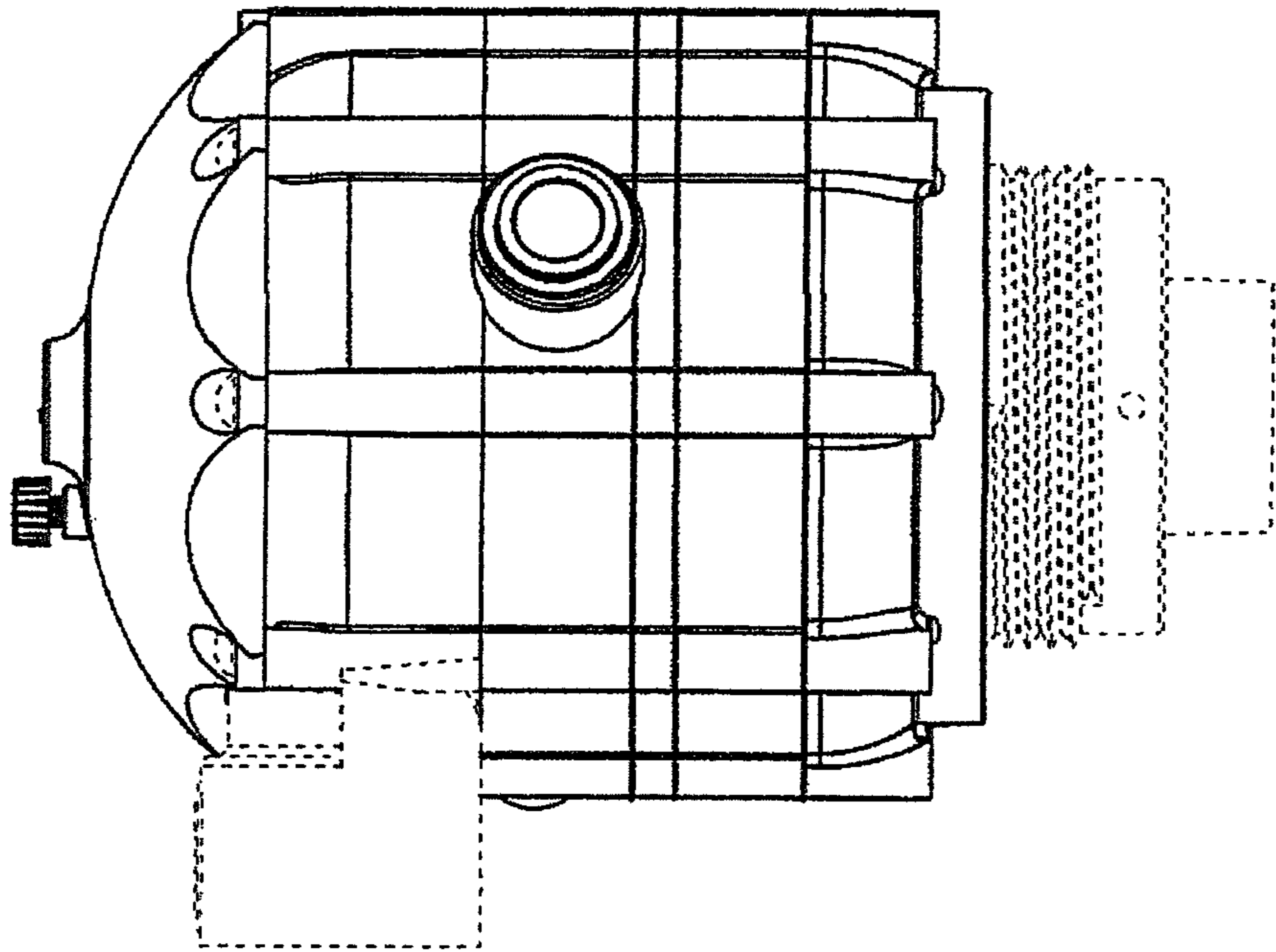


Fig. 5

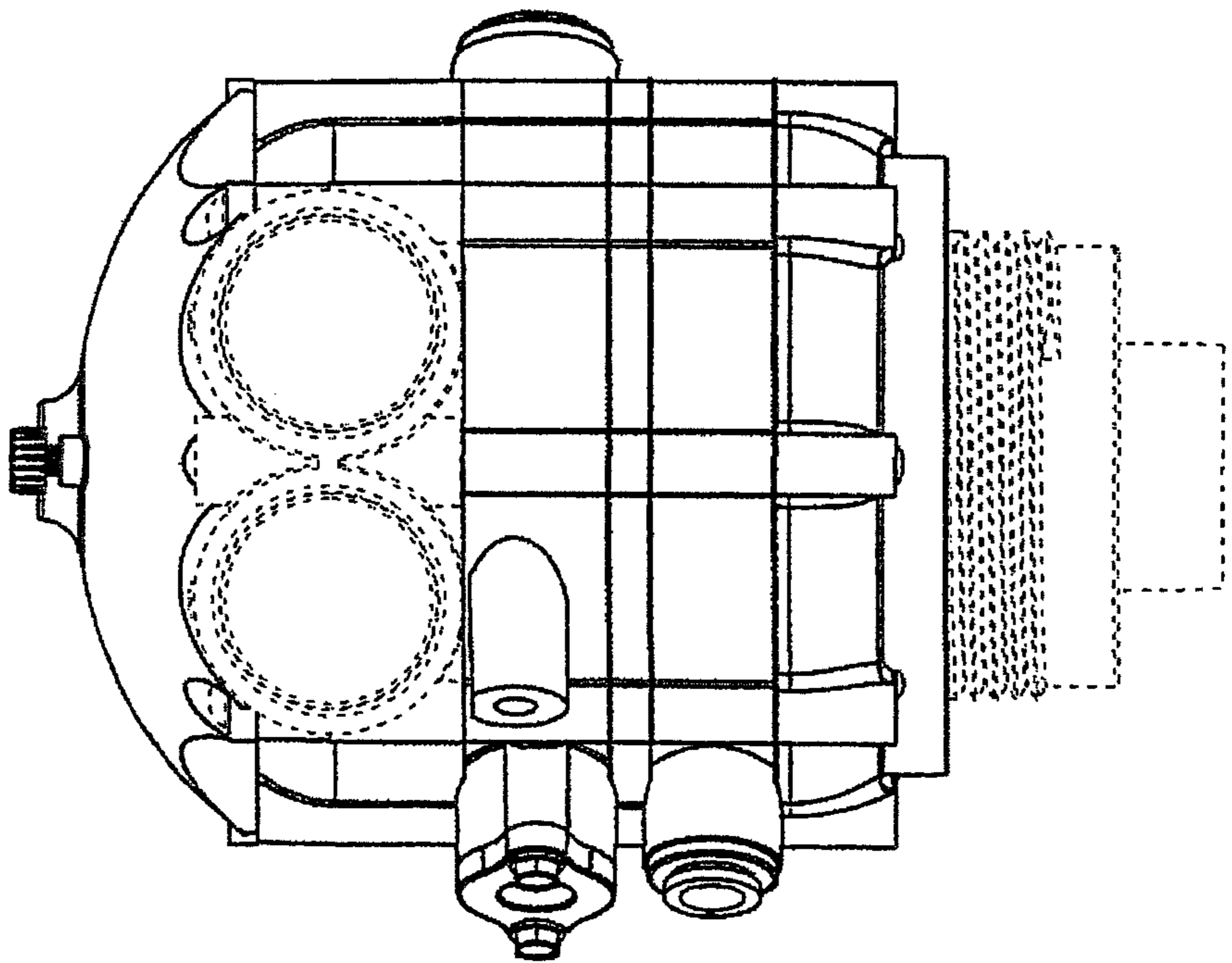


Fig. 4

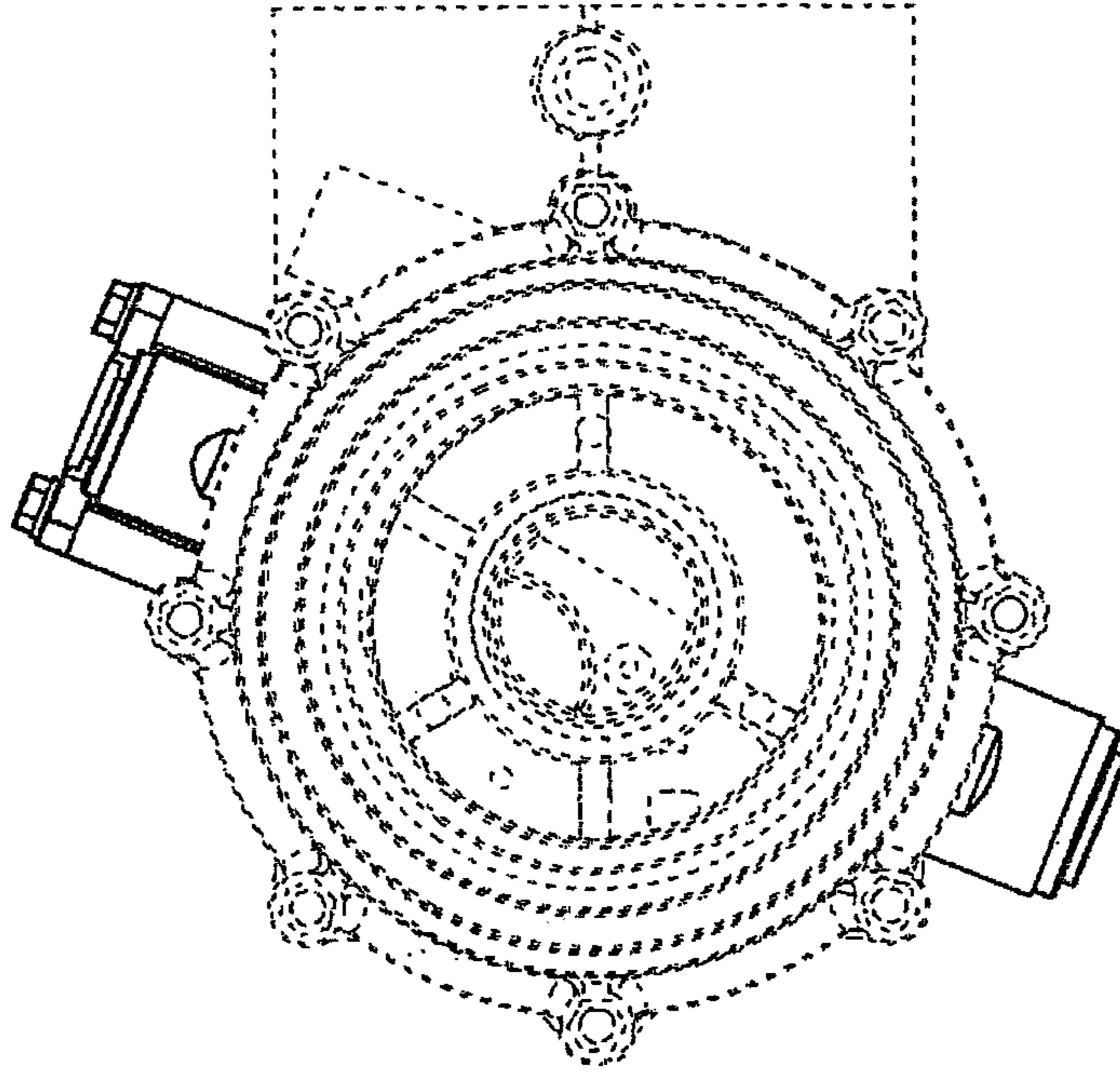


Fig. 7

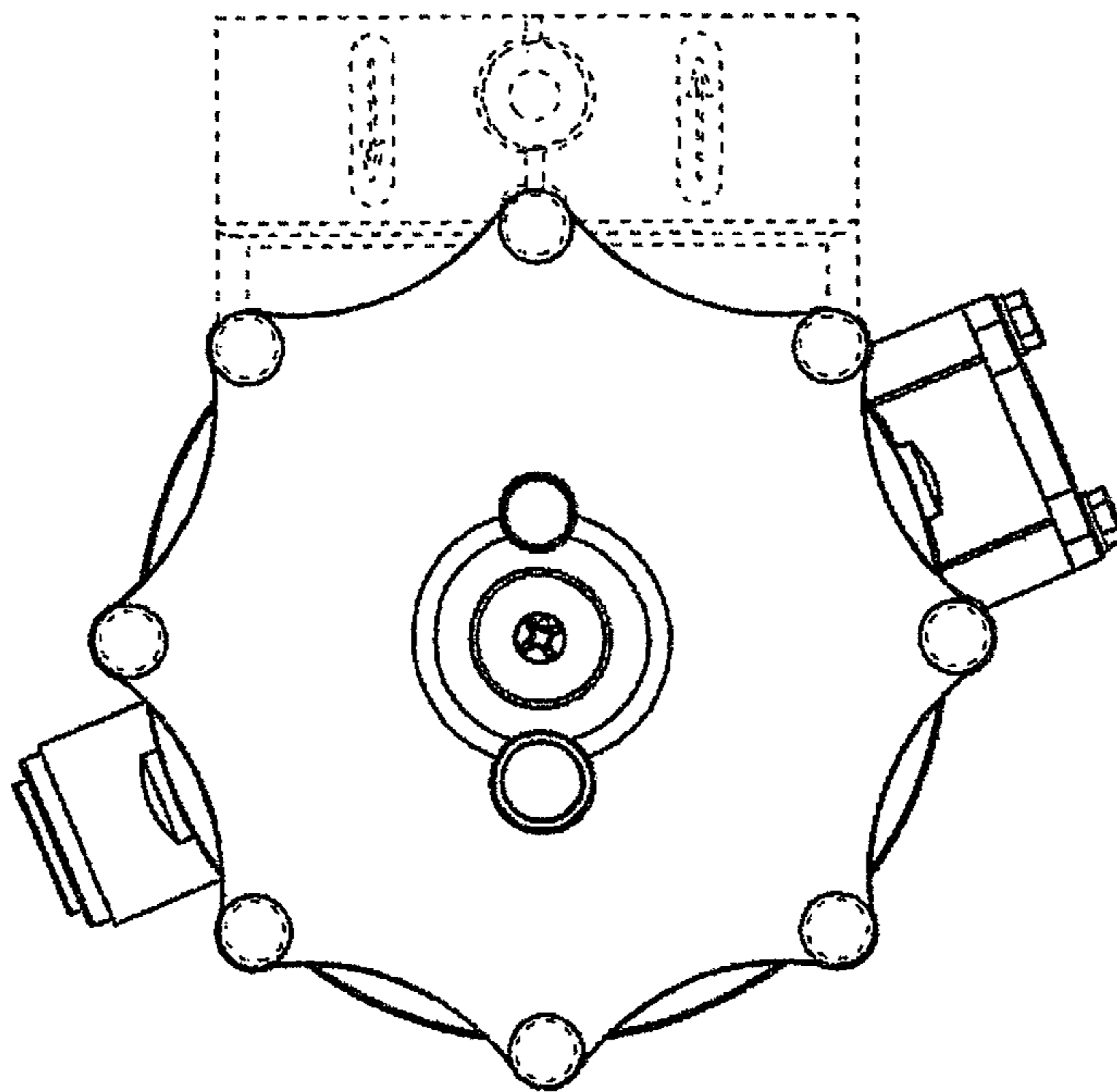


Fig. 6