



US00D736887S

(12) **United States Design Patent**
Schwarz

(10) **Patent No.:** **US D736,887 S**

(45) **Date of Patent:** **** Aug. 18, 2015**

(54) **SPRAY GUN FOR PAINTS AND FINISHES**

(71) Applicant: **J. Wagner AG**, Alstatten (CH)

(72) Inventor: **Thomas Schwarz**, St. Gallen (CH)

(73) Assignee: **J. Wagner AG**, Alstatten (CH)

(**) Term: **14 Years**

(21) Appl. No.: **29/457,204**

(22) Filed: **Jun. 7, 2013**

(30) **Foreign Application Priority Data**

Mar. 14, 2013 (EM) 002202432

(51) **LOC (10) Cl.** **23-01**

(52) **U.S. Cl.**
USPC **D23/223**

(58) **Field of Classification Search**
USPC D23/213, 223, 226; 239/290, 291, 526,
239/690, 691; 361/227, 228
See application file for complete search history.

(56) **References Cited**

U.S. PATENT DOCUMENTS

4,182,490 A * 1/1980 Kennon 239/3
D318,712 S * 7/1991 Buschor D23/226

D325,241 S * 4/1992 Buschor D23/226
5,678,770 A * 10/1997 Shah 239/690
D397,421 S * 8/1998 Adams D23/226
D657,015 S * 4/2012 Sanwald D23/223
D667,080 S * 9/2012 Sanwald D23/223
8,584,973 B2 * 11/2013 Mather et al. 239/526

* cited by examiner

Primary Examiner — Robin V Webster

(74) *Attorney, Agent, or Firm* — Renner, Otto, Boisselle & Sklar, LLP

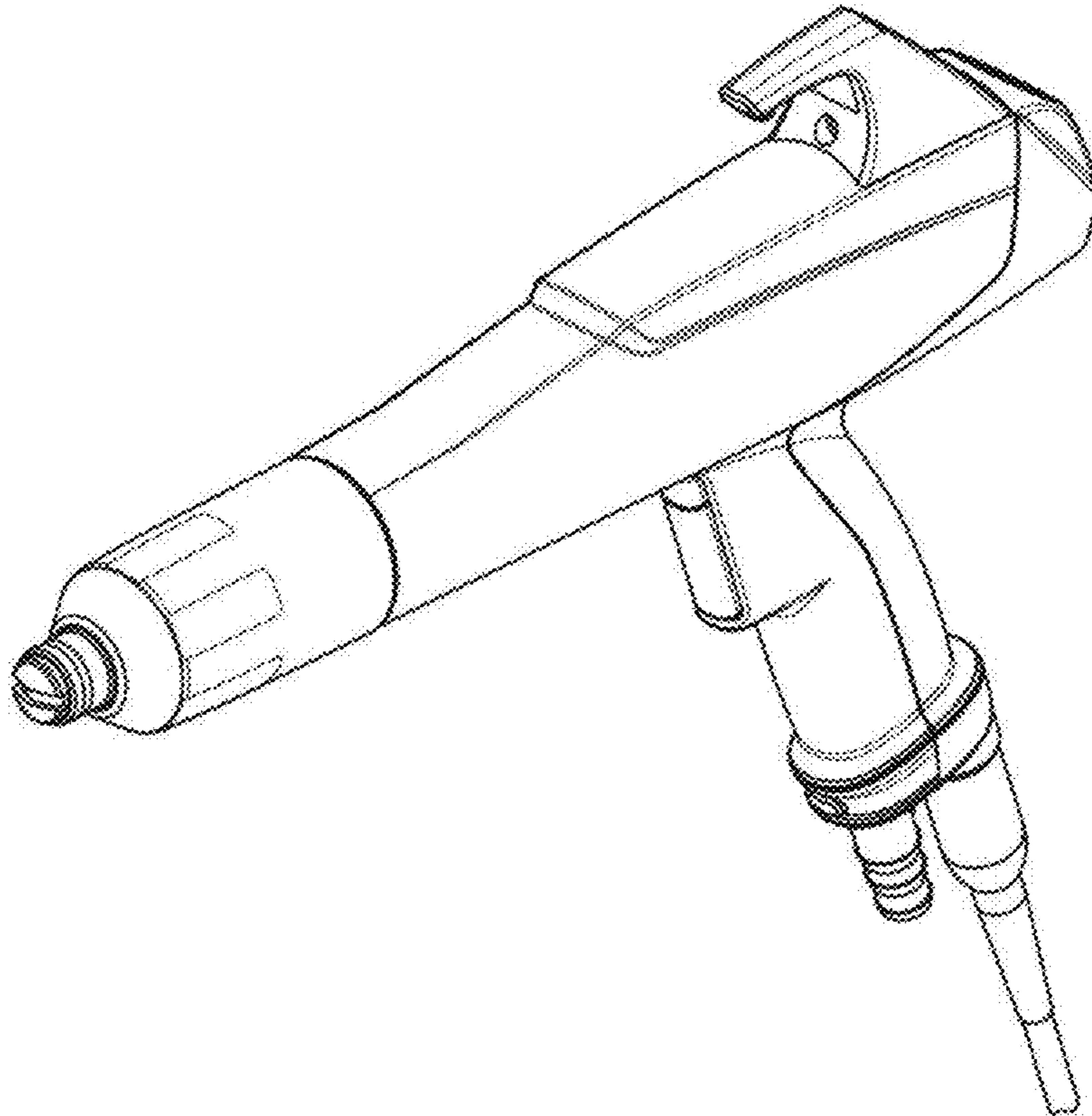
(57) **CLAIM**

The ornamental design for a spray gun for paints and finishes, as shown and described.

DESCRIPTION

FIG. 1 is a perspective view of a spray gun for paints and finishes showing my new design.
FIG. 2 is another perspective view thereof.
FIG. 3 is a right side view thereof.
FIG. 4 is a left side view thereof.
FIG. 5 is a rear view thereof.
FIG. 6 is a front view thereof.
FIG. 7 is a top view thereof; and,
FIG. 8 is a bottom view thereof.

1 Claim, 5 Drawing Sheets



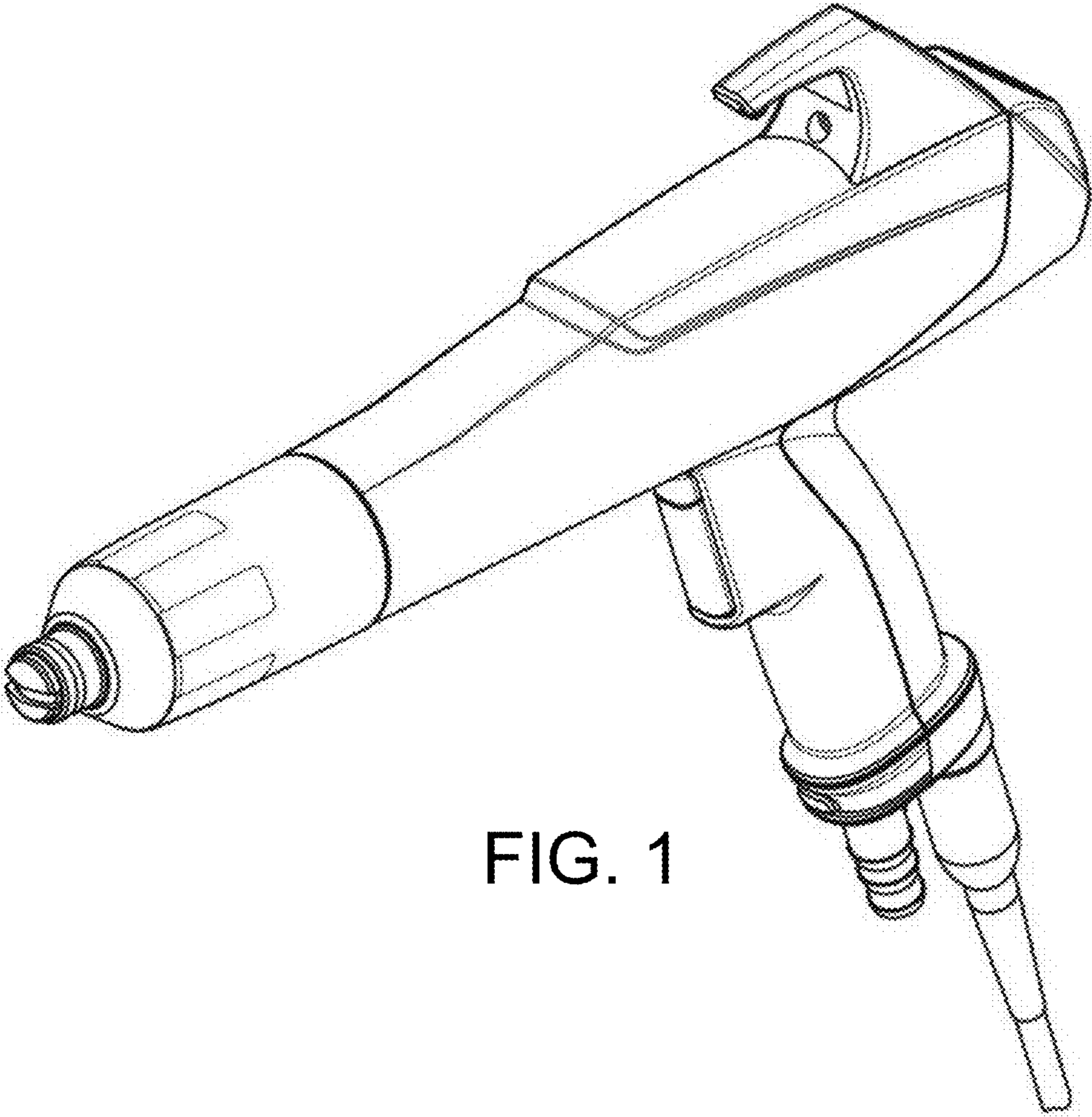


FIG. 1

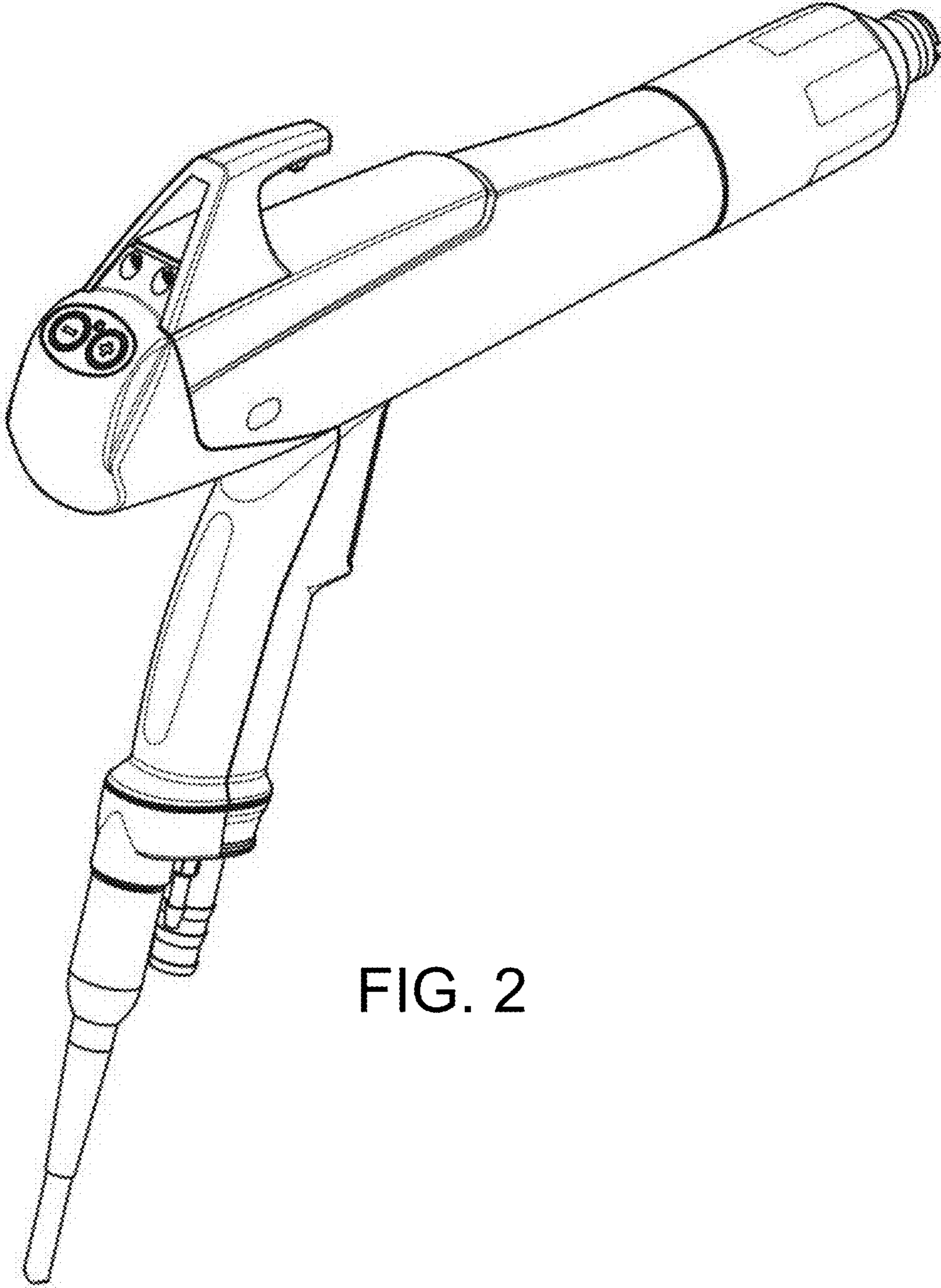


FIG. 2

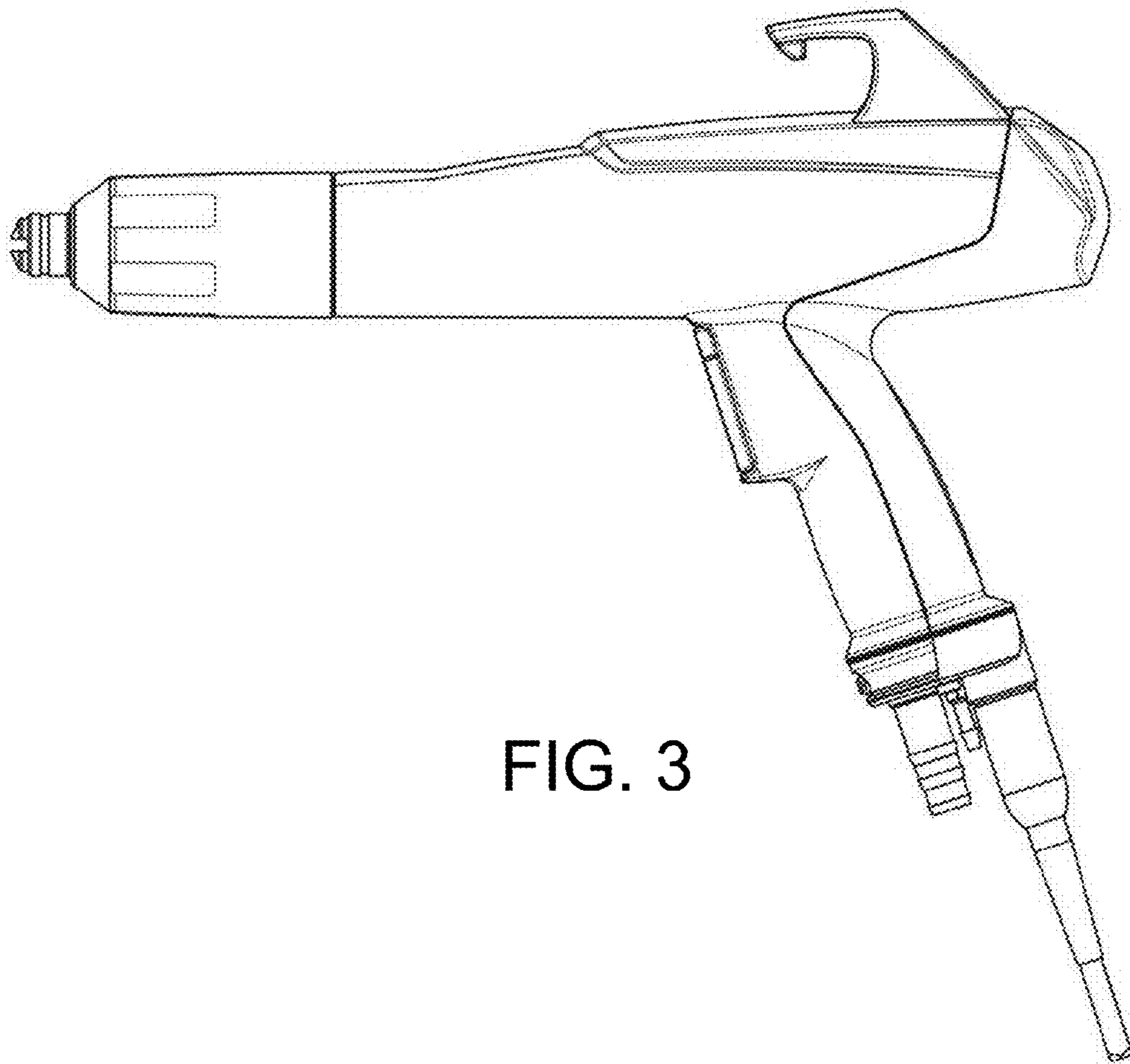


FIG. 3

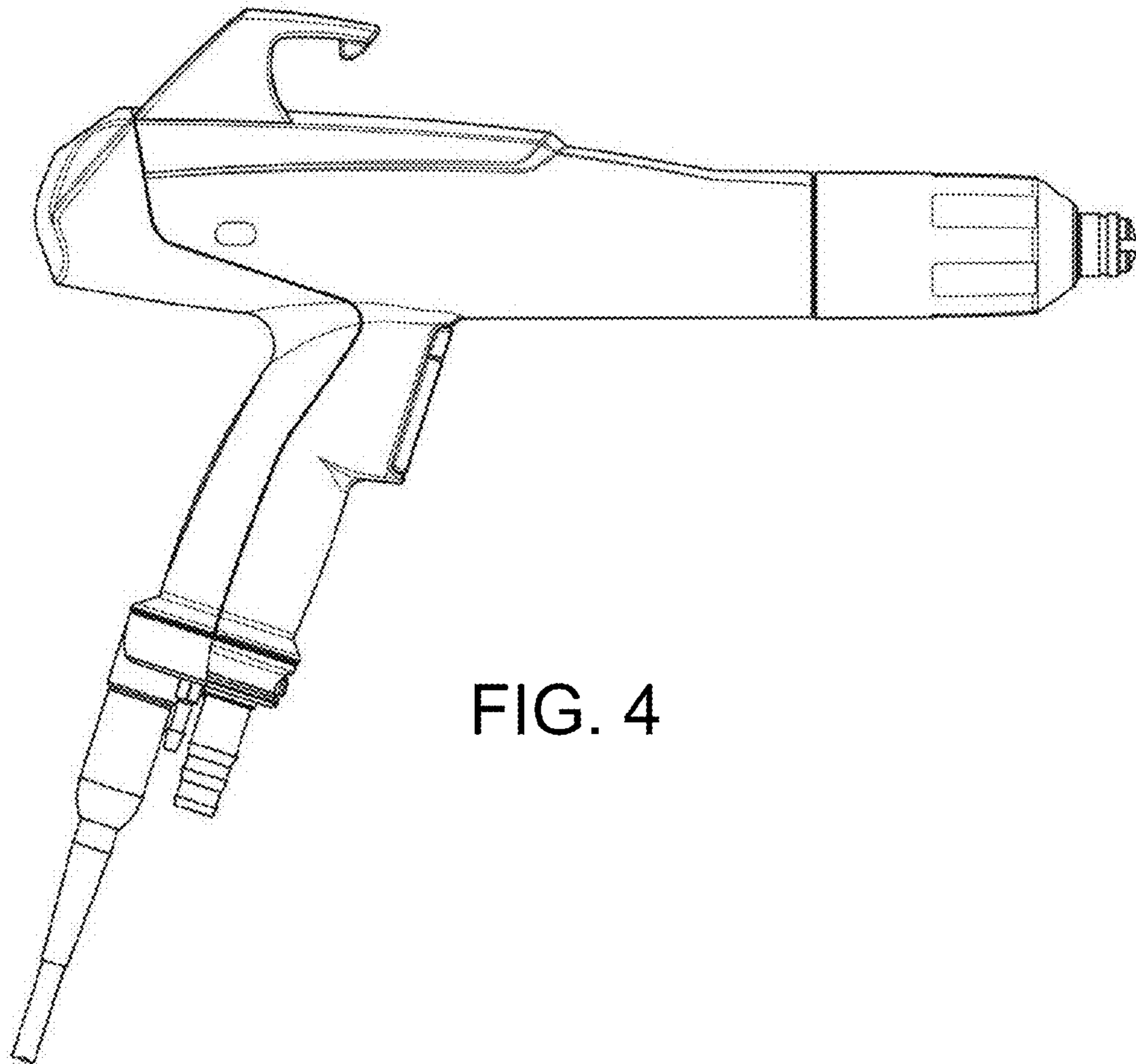


FIG. 4

FIG. 5

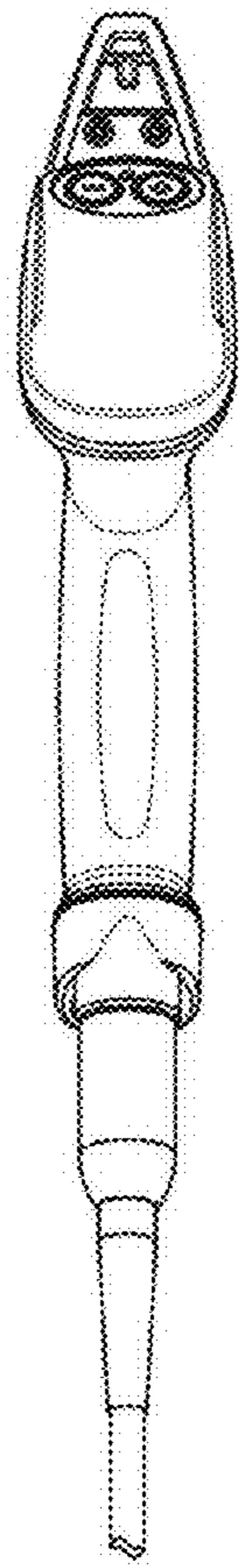


FIG. 6

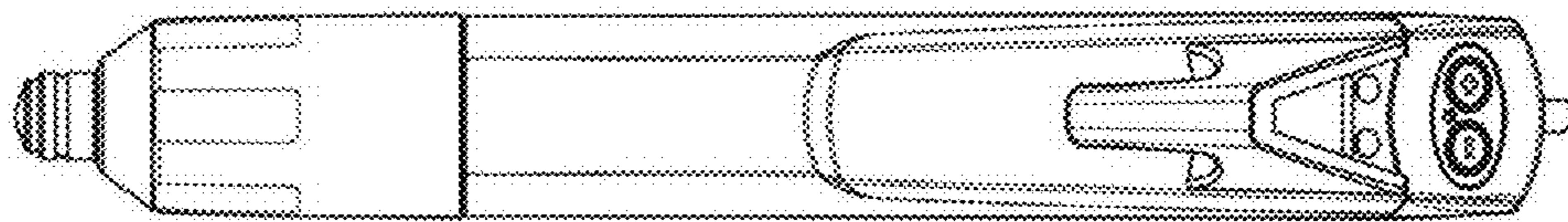
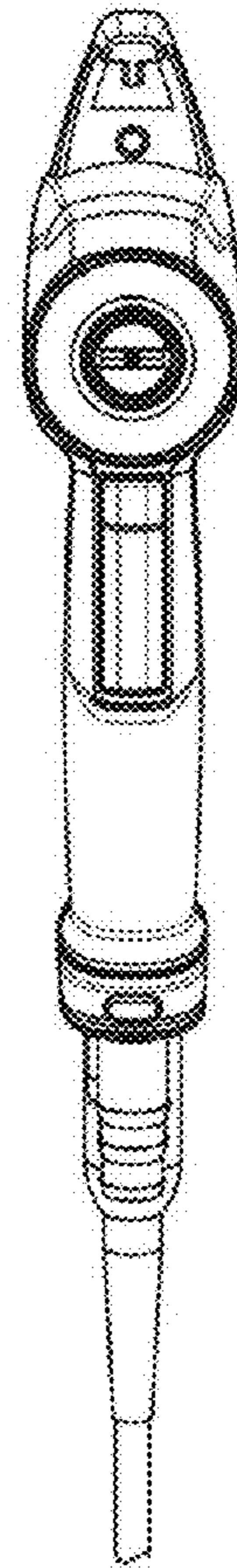


FIG. 7

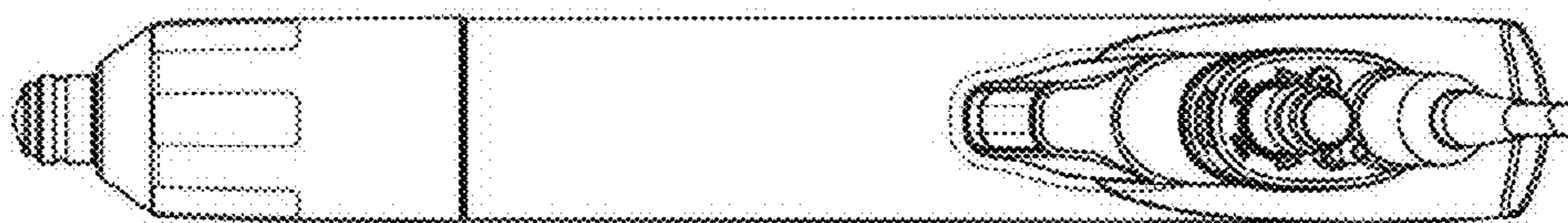


FIG. 8