

US00D736885S

(12) **United States Design Patent**
Swan et al.

(10) **Patent No.:** **US D736,885 S**

(45) **Date of Patent:** **** Aug. 18, 2015**

(54) **RIGID MAGAZINE HOLDER**

(71) Applicant: **S & S Precision, LLC**, Virginia Beach, VA (US)

(72) Inventors: **Johnny E. Swan**, Virginia Beach, VA (US); **Andrew C. Borland**, Virginia Beach, VA (US); **William-Joseph Basan Elizalde**, Virginia Beach, VA (US)

(73) Assignee: **S & S Precision, LLC**, Virginia Beach, VA (US)

(**) Term: **14 Years**

(21) Appl. No.: **29/467,965**

(22) Filed: **Sep. 25, 2013**

(51) **LOC (10) Cl.** **22-01**

(52) **U.S. Cl.**
USPC **D22/108**

(58) **Field of Classification Search**
USPC D22/108; D21/572-573; 124/66-67, 124/74; 42/51, 71.01, 75.01, 75.02, 90, 94; 362/110; 89/40.06, 37.04, 33.04, 89/191.01
CPC F41A 9/61; F41A 9/62; F41A 9/63; F41A 9/64; F41A 9/65; F41A 9/68; F41A 9/69; F41A 9/73; F41A 9/74; F41A 9/75; F41A 9/79; F41A 9/86

See application file for complete search history.

(56) **References Cited**

U.S. PATENT DOCUMENTS

2006/0242877	A1 *	11/2006	Clifton et al.	42/49.01
2011/0107645	A1 *	5/2011	Faifer	42/90
2011/0132780	A1 *	6/2011	Marconi	206/3
2012/0311911	A1 *	12/2012	Nelson	42/90
2014/0262892	A1 *	9/2014	Orozco et al.	206/424
2015/0090750	A1 *	4/2015	Coleman	224/222

* cited by examiner

Primary Examiner — Michael A Pratt

(74) *Attorney, Agent, or Firm* — Kilpatrick Townsend and Stockton LLP

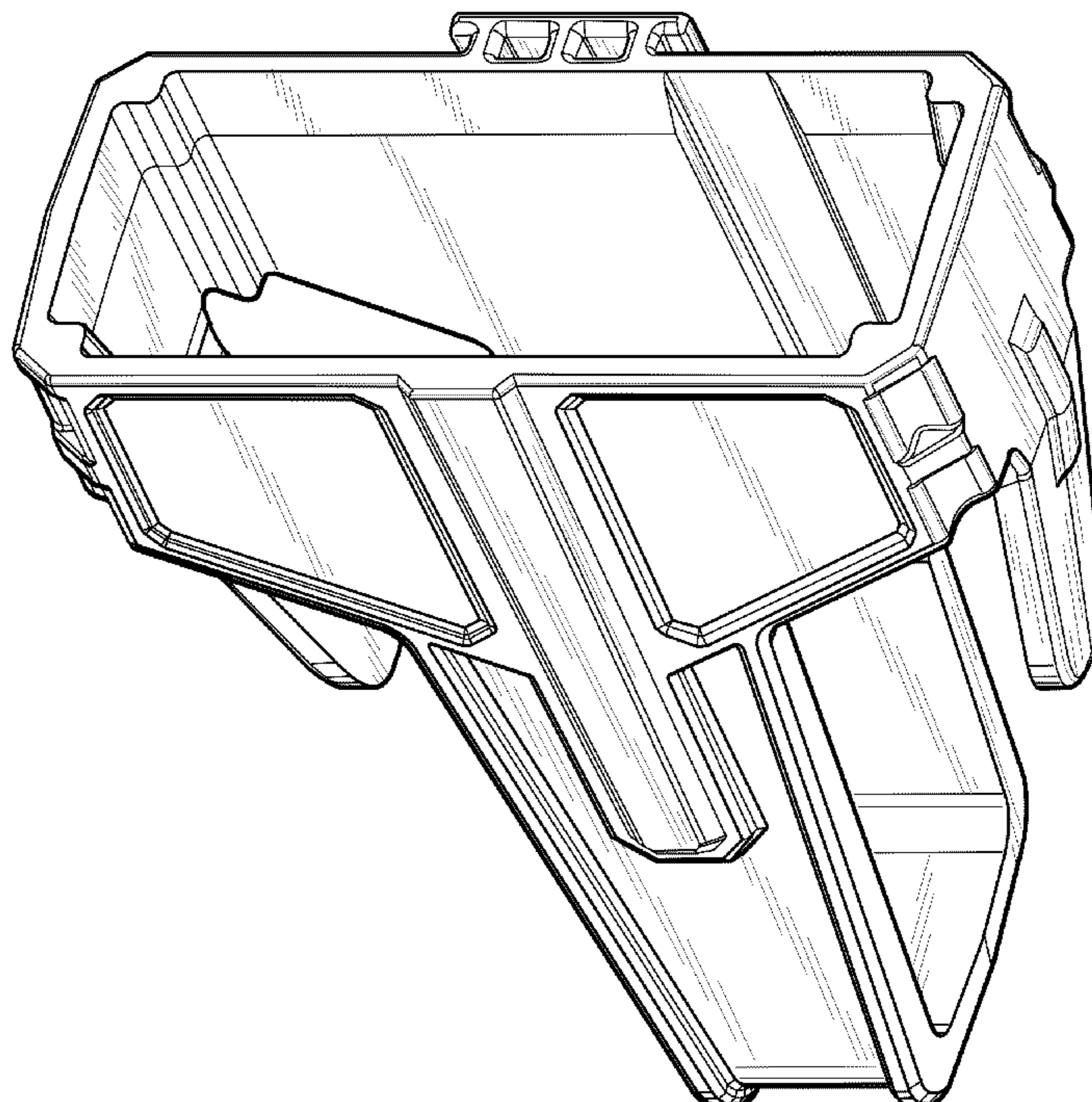
(57) **CLAIM**

The ornamental design for a rigid magazine holder, as shown and described.

DESCRIPTION

FIG. 1 is a front perspective view of a first embodiment of a rigid magazine holder showing our new design; FIG. 2 is a top plan view thereof; FIG. 3 is a front elevational view thereof; FIG. 4 is a left side elevational view thereof; FIG. 5 is a right side elevational view thereof; FIG. 6 is a rear elevational view thereof; and, FIG. 7 is a bottom plan view thereof.

1 Claim, 3 Drawing Sheets



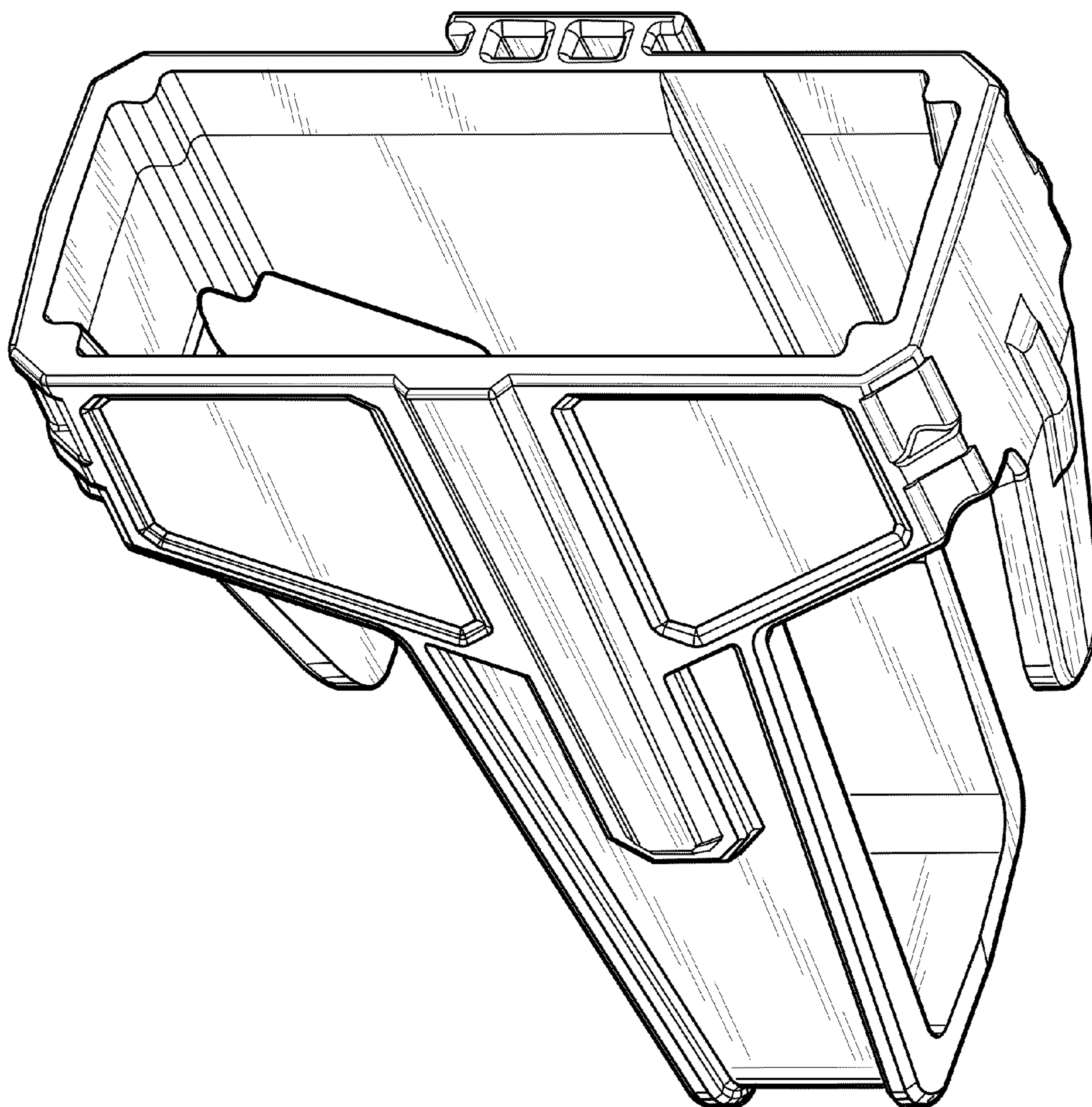


FIG. 1

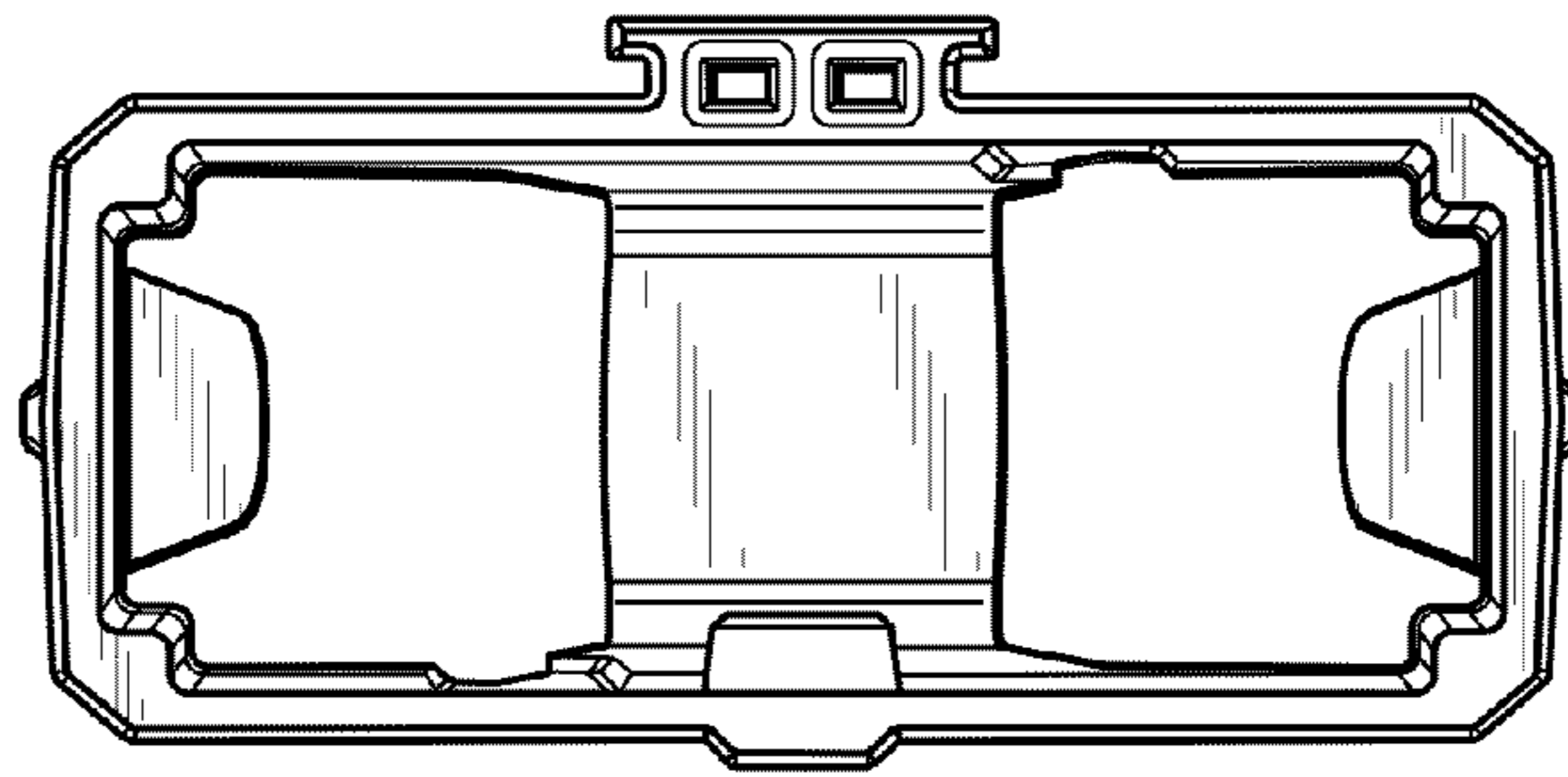


FIG. 2

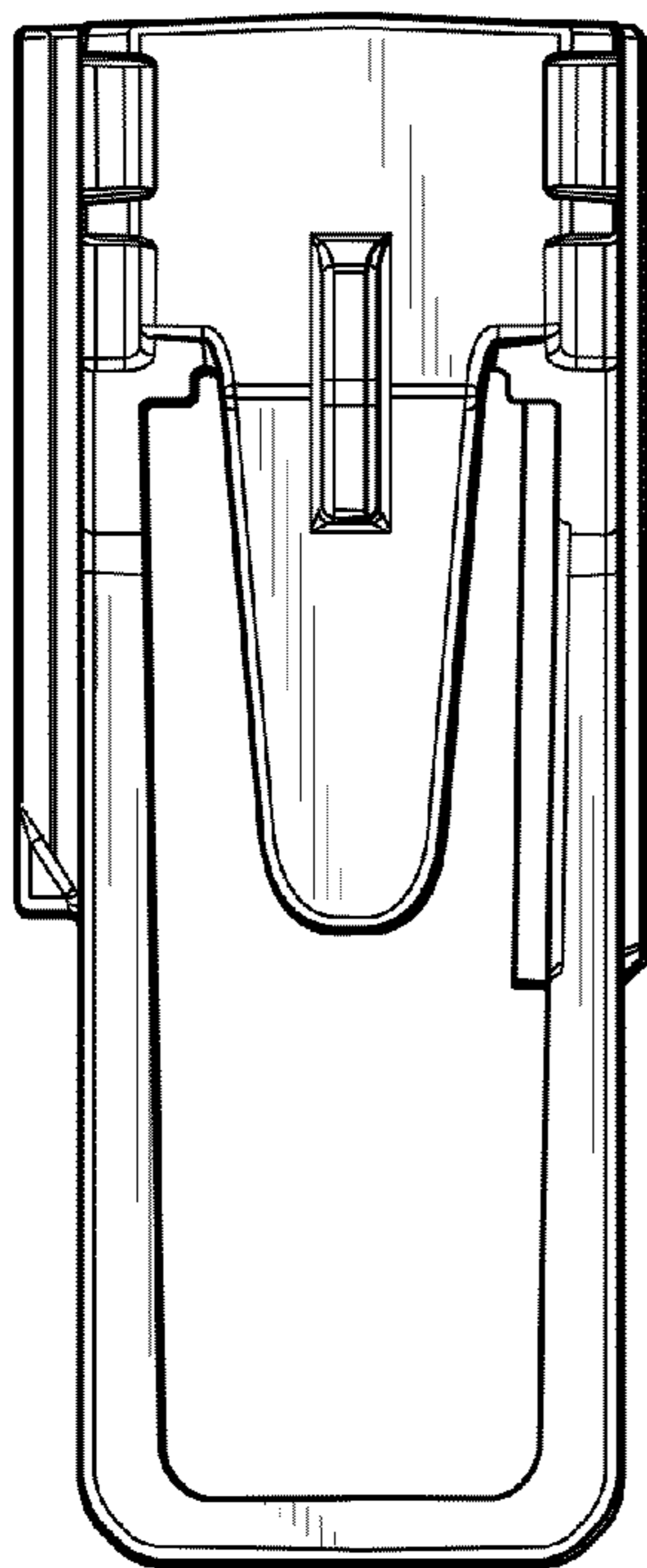


FIG. 4

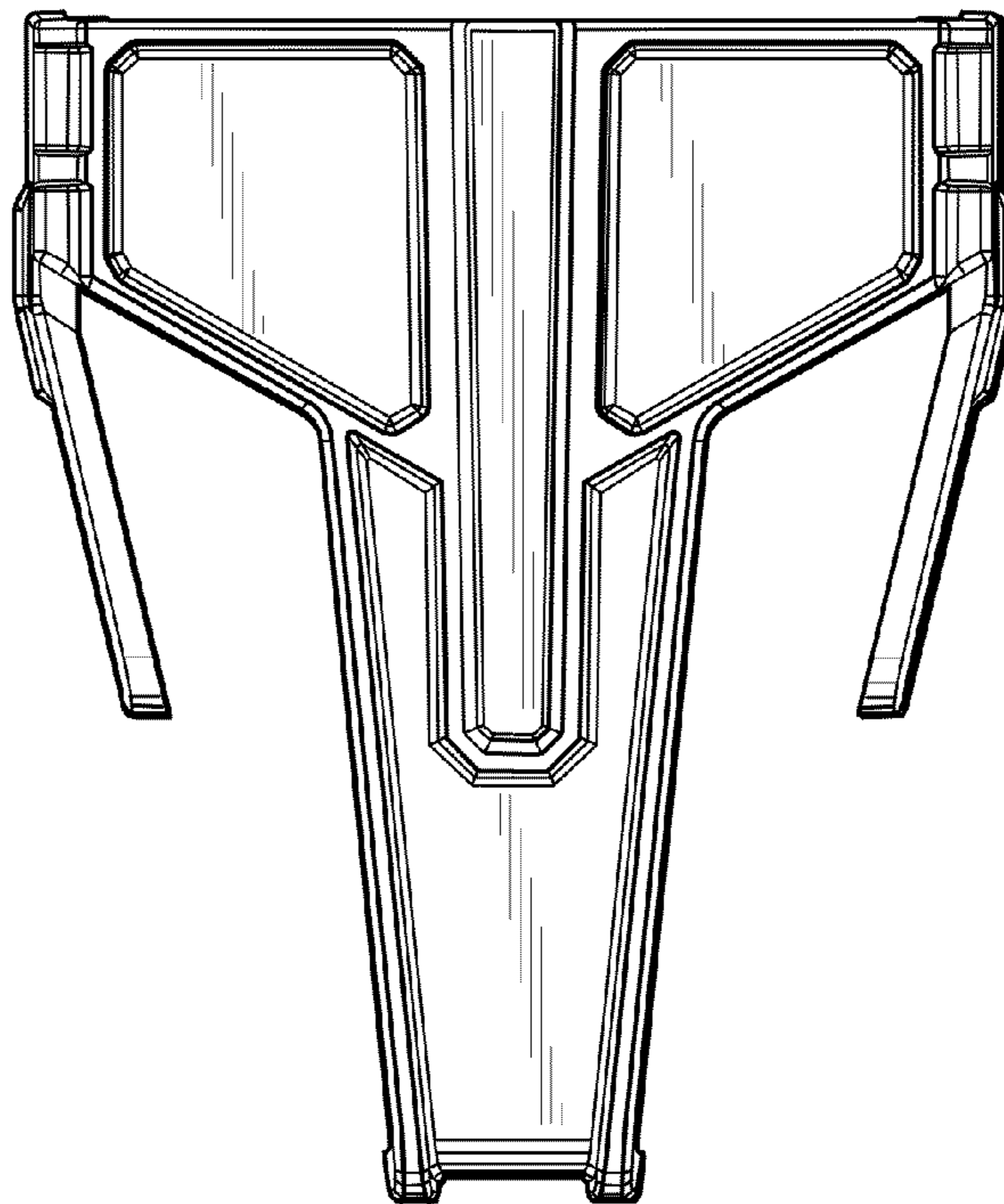


FIG. 3

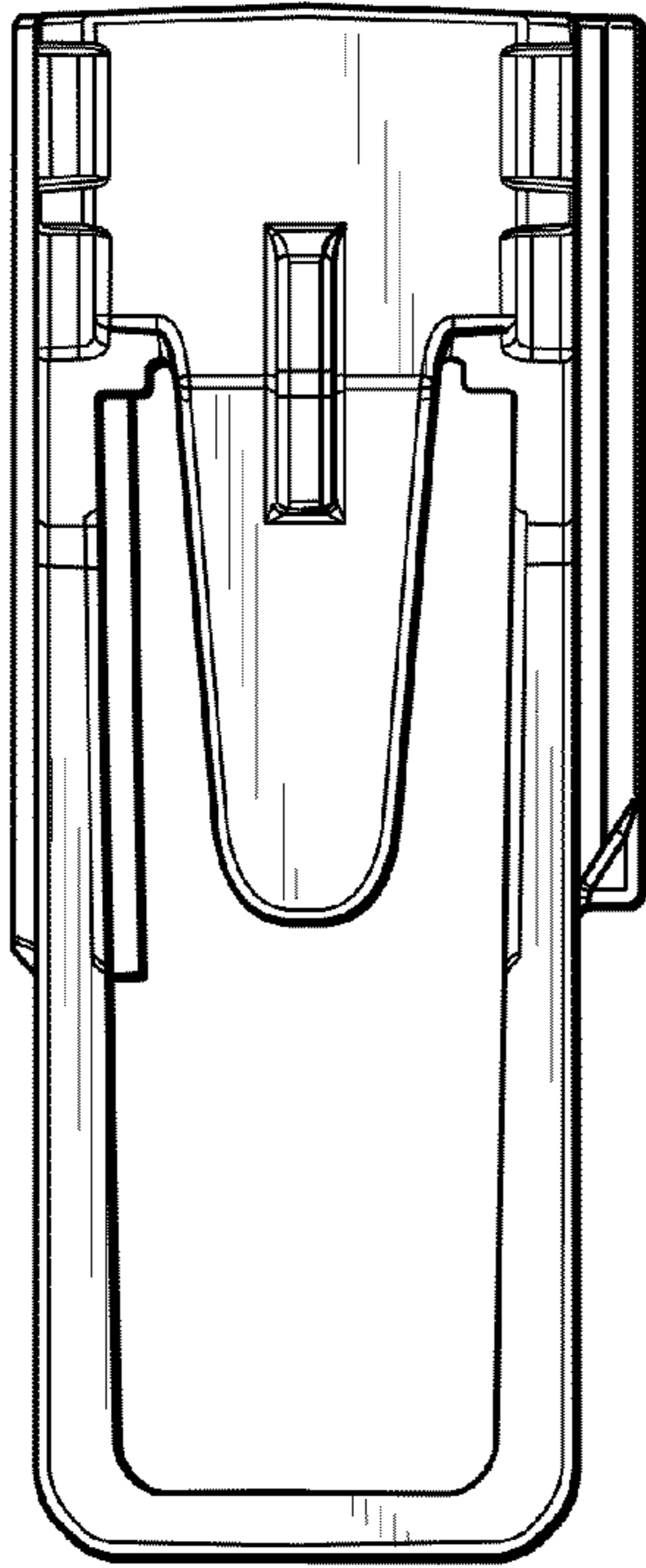


FIG. 5

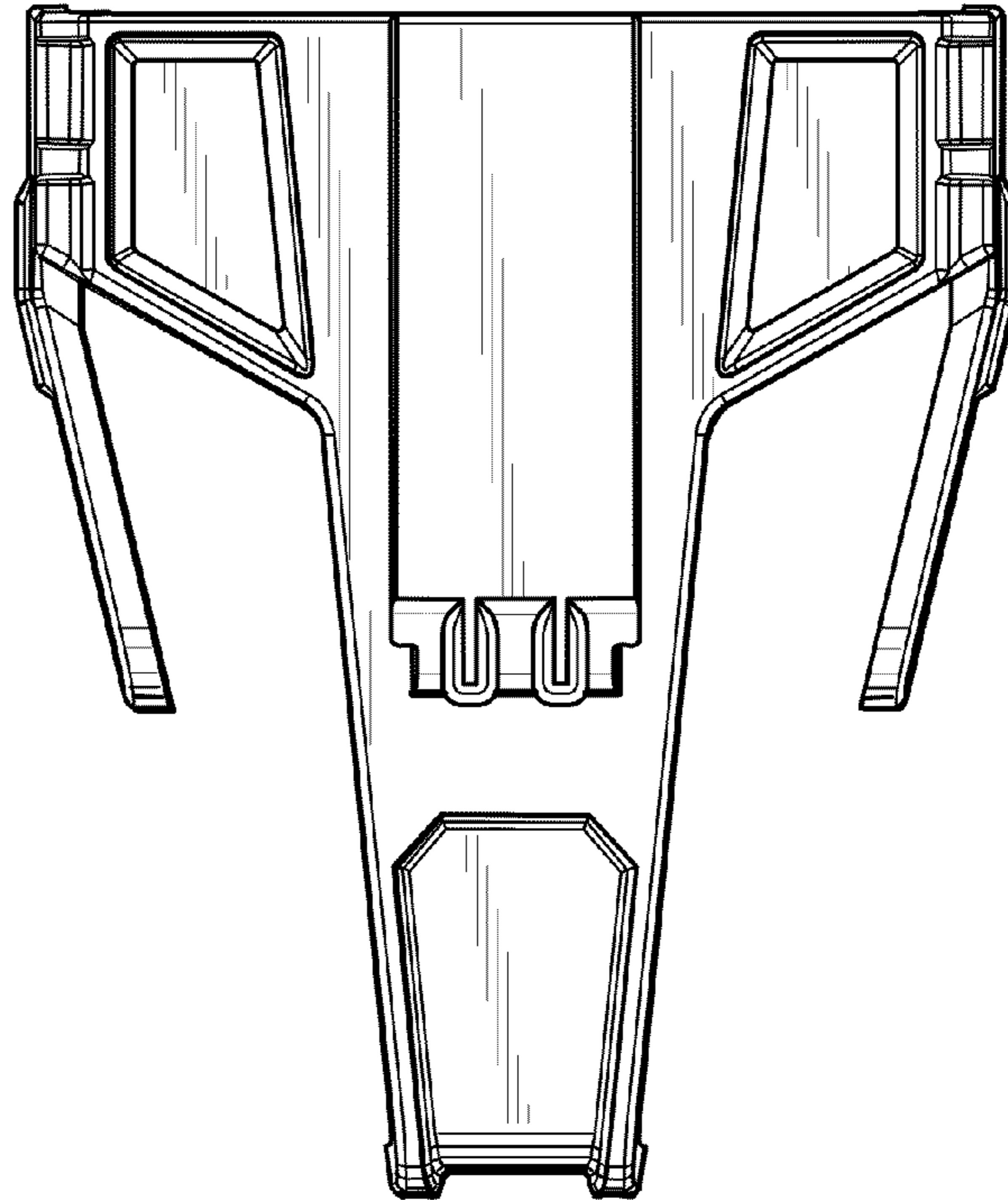


FIG. 6

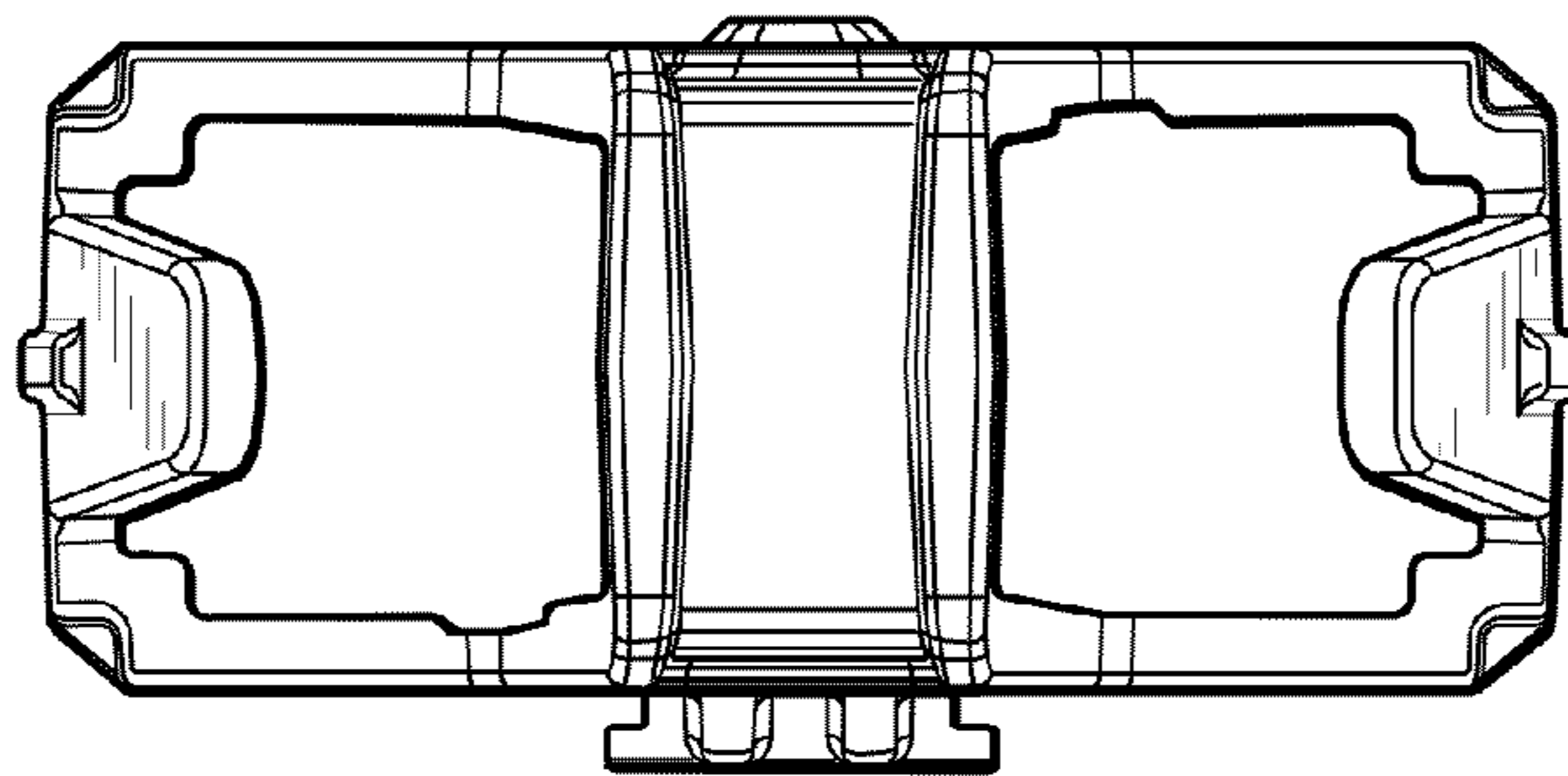


FIG. 7