



US00D736883S

(12) **United States Design Patent**
Jones

(10) **Patent No.:** **US D736,883 S**
(45) **Date of Patent:** **** Aug. 18, 2015**

- (54) **SWIMMING ASSISTANCE SHIRT WITH INFLATABLE SLEEVE**
- (75) Inventor: **Monica Jones**, Virginia Beach, VA (US)
- (73) Assignee: **Swimways Corporation**, Virginia Beach, VA (US)
- (**) Term: **14 Years**
- (21) Appl. No.: **29/402,822**
- (22) Filed: **Sep. 28, 2011**
- (51) **LOC (10) Cl.** **29-02**
- (52) **U.S. Cl.**
USPC **D21/805**
- (58) **Field of Classification Search**
USPC D21/804, 805; D29/100, 101.1, 101, 4;
2/456, 458, 467, 463; 441/88, 89, 106,
441/108, 111, 114–117
See application file for complete search history.

(56) **References Cited**

U.S. PATENT DOCUMENTS

- 3,305,423 A * 2/1967 Le Masson 2/458
- 5,388,271 A * 2/1995 Sessoms 2/115

(Continued)

Primary Examiner — Zenia Bennett

(74) *Attorney, Agent, or Firm* — Cooley LLP

(57) **CLAIM**

The ornamental design for a swimming assistance shirt with inflatable sleeve, as shown and described.

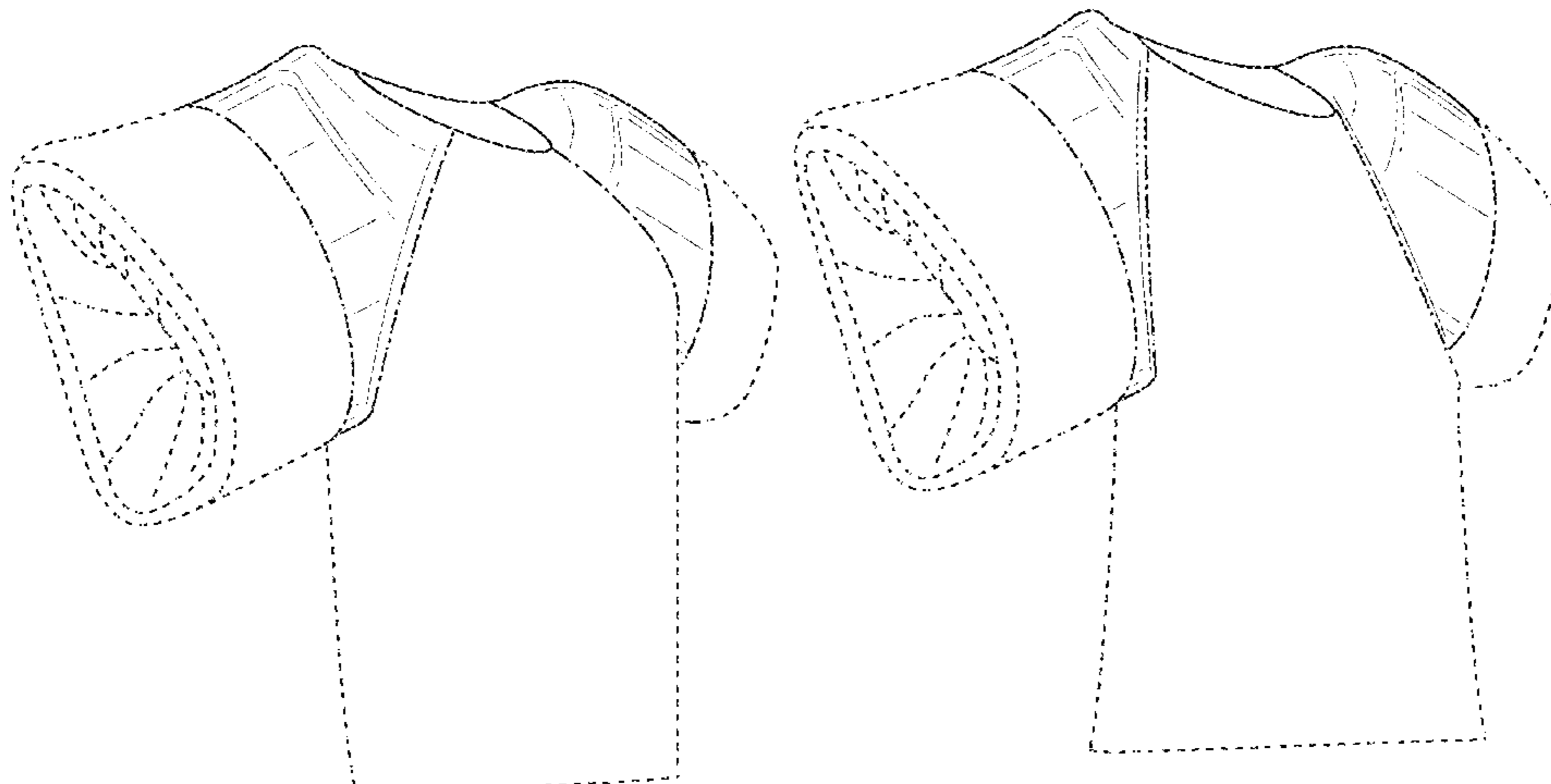
DESCRIPTION

FIG. 1 is a side perspective view of a swimming assistance shirt with inflatable sleeve according to an embodiment;
 FIG. 2 is a front view of the swimming assistance shirt with inflatable sleeve illustrated in FIG. 1;
 FIG. 3 is a rear view of the swimming assistance shirt with inflatable sleeve illustrated in FIG. 1;
 FIG. 4 is a right side view of the swimming assistance shirt with inflatable sleeve illustrated in FIG. 1, the left side view being a mirror image of the right side view;

FIG. 5 is a top view of the swimming assistance shirt with inflatable sleeve illustrated in FIG. 1;
 FIG. 6 is a side perspective view of a swimming assistance shirt with inflatable sleeve according to another embodiment;
 FIG. 7 is a front view of the swimming assistance shirt with inflatable sleeve illustrated in FIG. 6;
 FIG. 8 is a rear view of the swimming assistance shirt with inflatable sleeve illustrated in FIG. 6;
 FIG. 9 is a right side view of the swimming assistance shirt with inflatable sleeve illustrated in FIG. 6, the left side view being a mirror image of the right side view;
 FIG. 10 is a top view of the swimming assistance shirt with inflatable sleeve illustrated in FIG. 6;
 FIG. 11 is a side perspective view of a swimming assistance shirt with inflatable sleeve according to another embodiment;
 FIG. 12 is a front view of the swimming assistance shirt with inflatable sleeve illustrated in FIG. 11;
 FIG. 13 is a rear view of the swimming assistance shirt with inflatable sleeve illustrated in FIG. 11;
 FIG. 14 is a right side view of the swimming assistance shirt with inflatable sleeve illustrated in FIG. 11, the left side view being a mirror image of the right side view;
 FIG. 15 is a top view of the swimming assistance shirt with inflatable sleeve illustrated in FIG. 11;
 FIG. 16 is a side perspective view of a swimming assistance shirt with inflatable sleeve according to another embodiment;
 FIG. 17 is a front view of the swimming assistance shirt with inflatable sleeve illustrated in FIG. 16;
 FIG. 18 is a rear view of the swimming assistance shirt with inflatable sleeve illustrated in FIG. 16;
 FIG. 19 is a right side view of the swimming assistance shirt with inflatable sleeve illustrated in FIG. 16, the left side view being a mirror image of the right side view; and,
 FIG. 20 is a top view of the swimming assistance shirt with inflatable sleeve illustrated in FIG. 16.

The dot-dash lines define the boundary of the claimed design and do not form part of the claimed design. The broken lines, such as the broken lines on the torso portion of the shirt and end portions of the sleeves of the shirt, depict unclaimed environmental subject matter. In addition, the thin surface shading lines illustrate the contour of the claimed design and are not a claimed surface pattern.

1 Claim, 20 Drawing Sheets



(56)

References Cited

U.S. PATENT DOCUMENTS

5,621,914	A *	4/1997	Ramone et al.	2/463	D627,539	S	11/2010	Flemming	
D441,517	S	5/2001	Shaffer		D628,771	S	12/2010	Kanada et al.	
6,272,694	B1 *	8/2001	Weaver et al.	2/456	D631,639	S	2/2011	Lacey	
6,374,413	B1 *	4/2002	Magee	2/69	8,220,079	B2 *	7/2012	Syska et al.	2/463
6,434,749	B1 *	8/2002	Grounds et al.	2/2.15	2006/0090249	A1 *	5/2006	Rodriguez et al.	2/463
6,854,135	B2 *	2/2005	Jones et al.	2/456	2007/0271689	A1 *	11/2007	Baldwin	2/456
D528,181	S	9/2006	Hilts		2007/0289050	A1 *	12/2007	Nocente et al.	2/458
7,328,463	B2 *	2/2008	Jones et al.	2/456	2008/0134418	A1 *	6/2008	Johansson et al.	2/456
D588,335	S	3/2009	Chen		2008/0189839	A1 *	8/2008	Lambertz	2/458
D603,644	S	11/2009	Ketner		2008/0201828	A1 *	8/2008	Kanavage	2/459
D618,443	S	6/2010	Hall et al.		2009/0031486	A1 *	2/2009	Sokolowski et al.	2/458
D618,856	S	6/2010	Chalk et al.		2010/0011491	A1 *	1/2010	Goldmann et al.	2/458
					2010/0031427	A1 *	2/2010	Smith et al.	2/456
					2011/0107502	A1 *	5/2011	Dalhausser et al.	2/456
					2012/0070608	A1 *	3/2012	Rock et al.	428/89

* cited by examiner

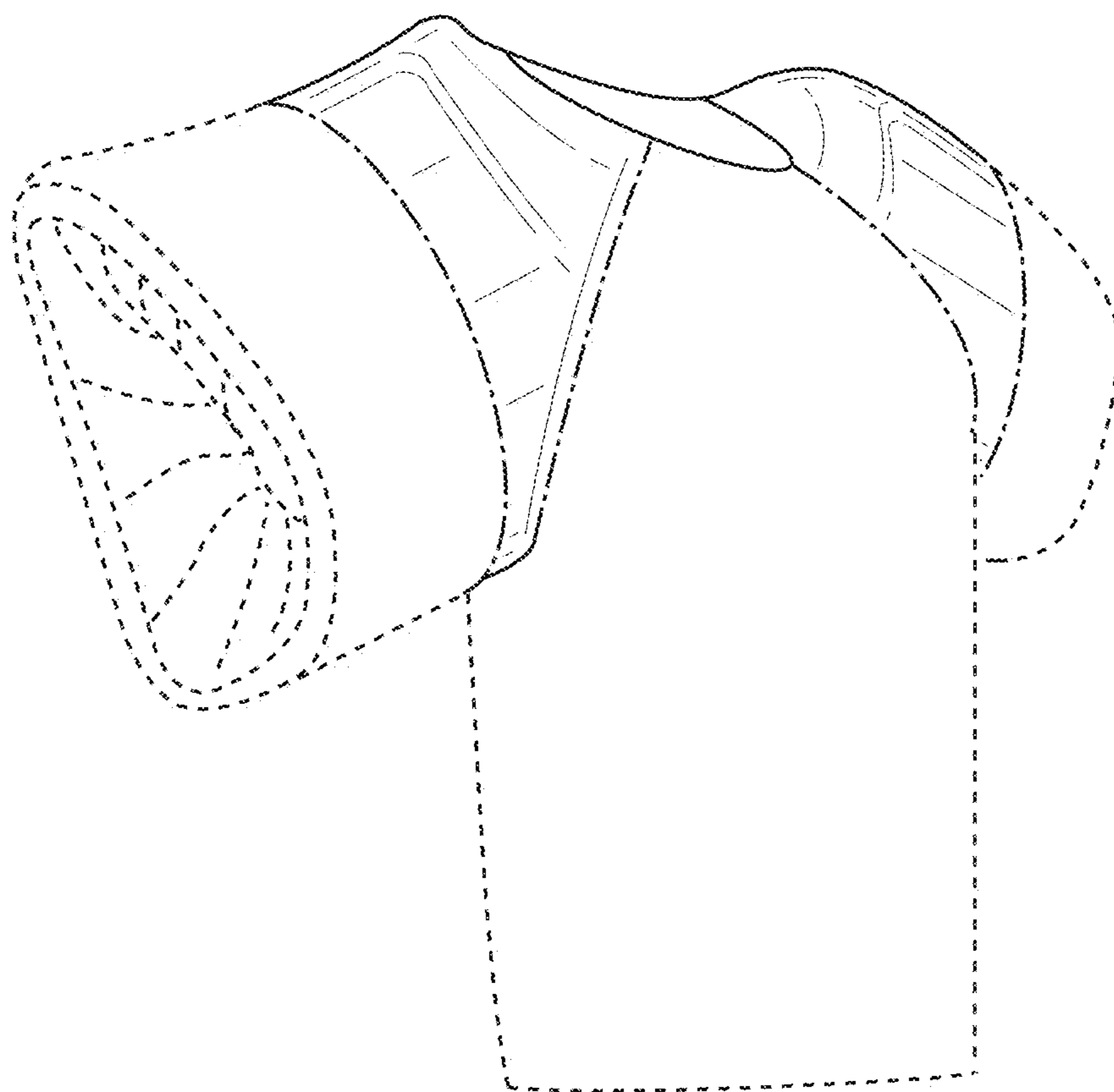


FIG. 1

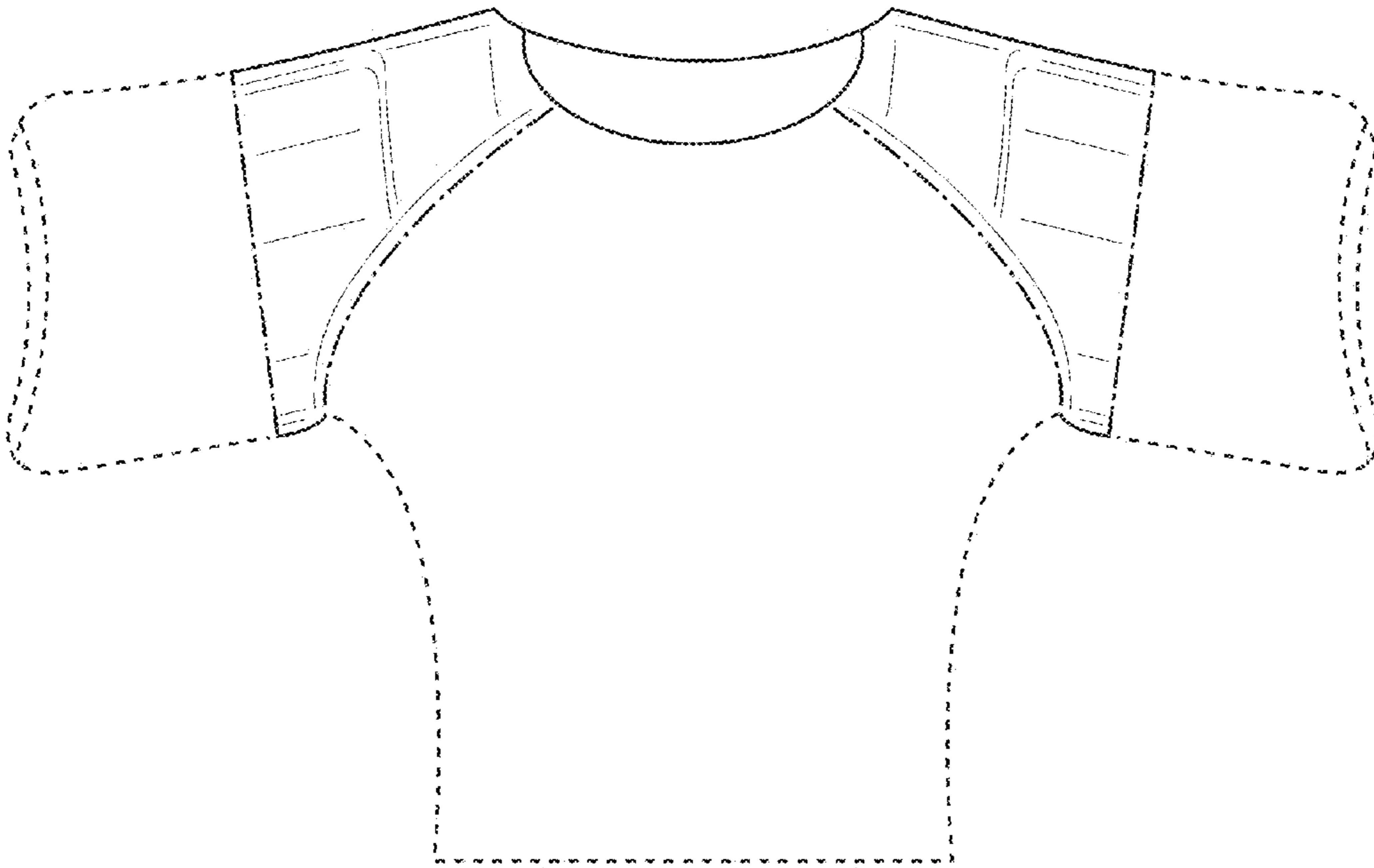


FIG. 2

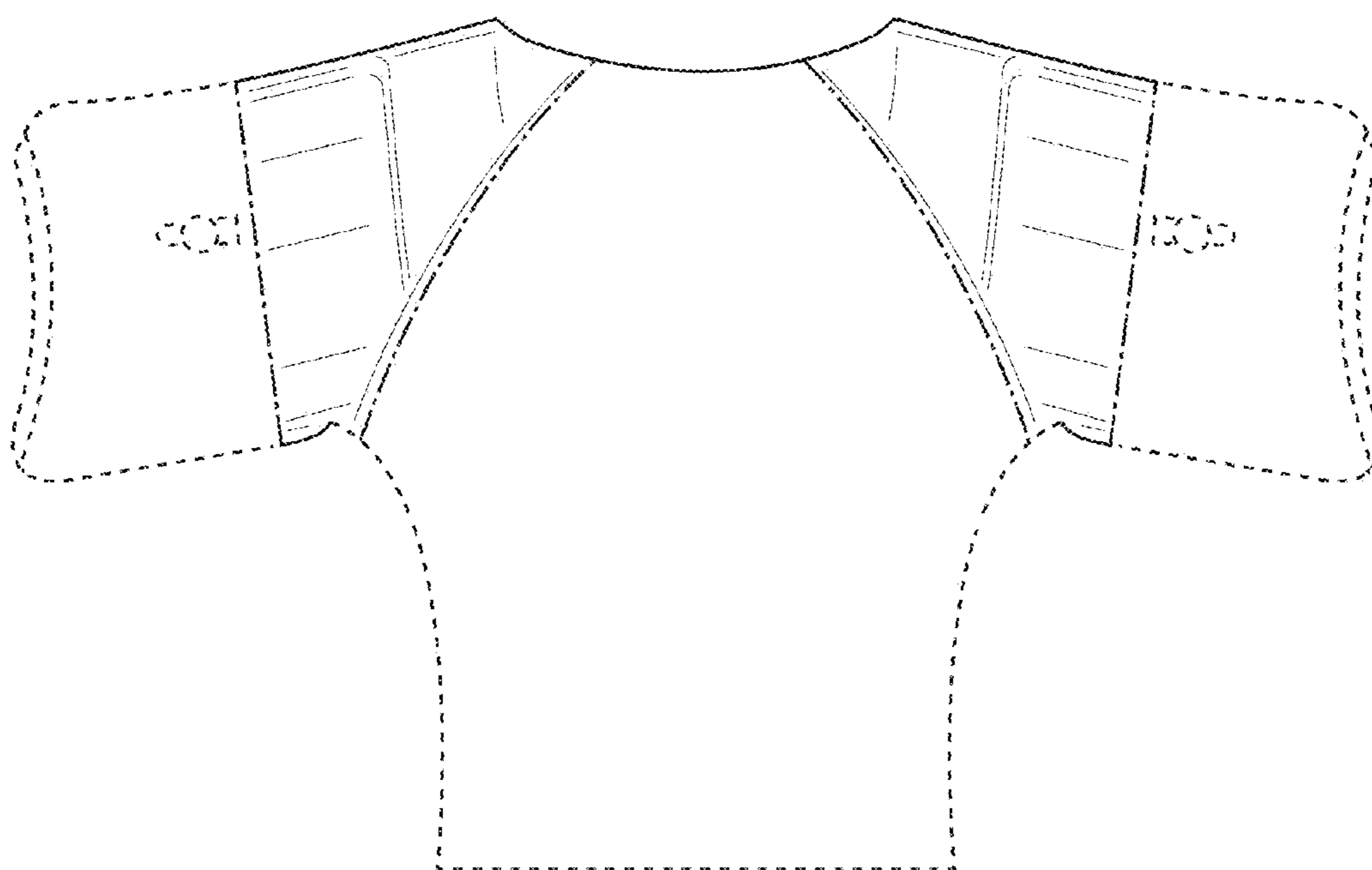


FIG. 3

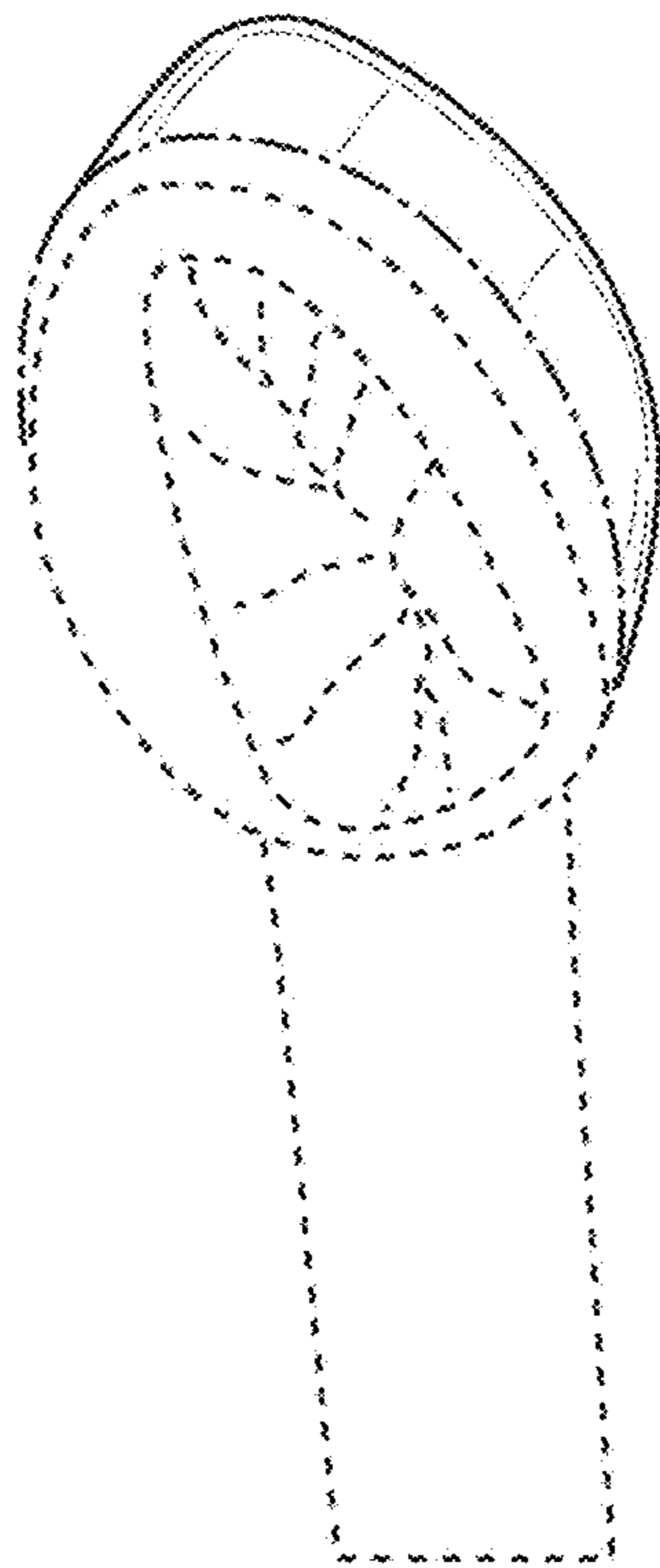


FIG. 4

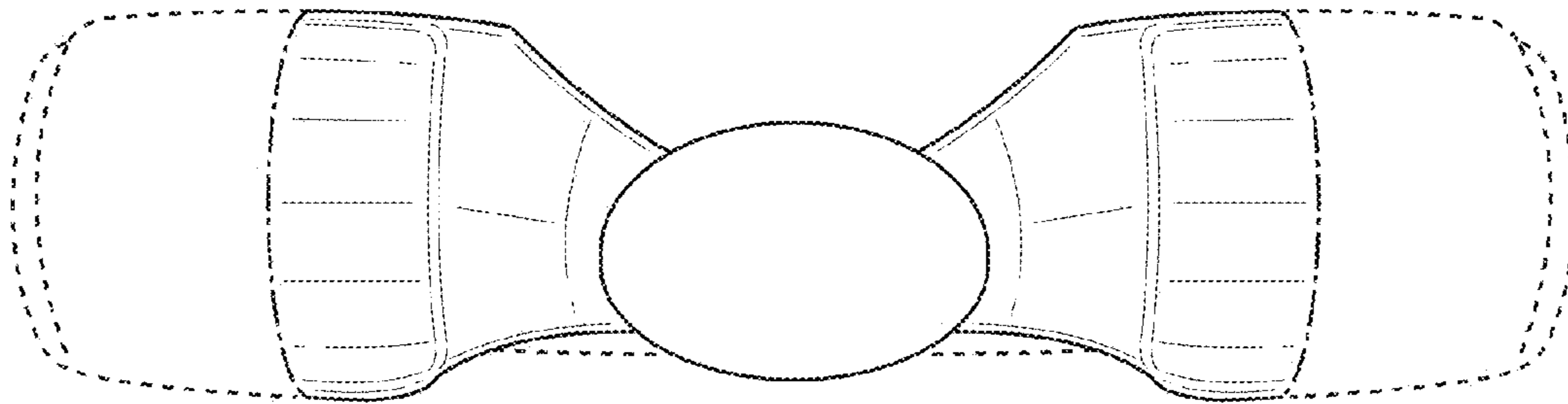


FIG. 5

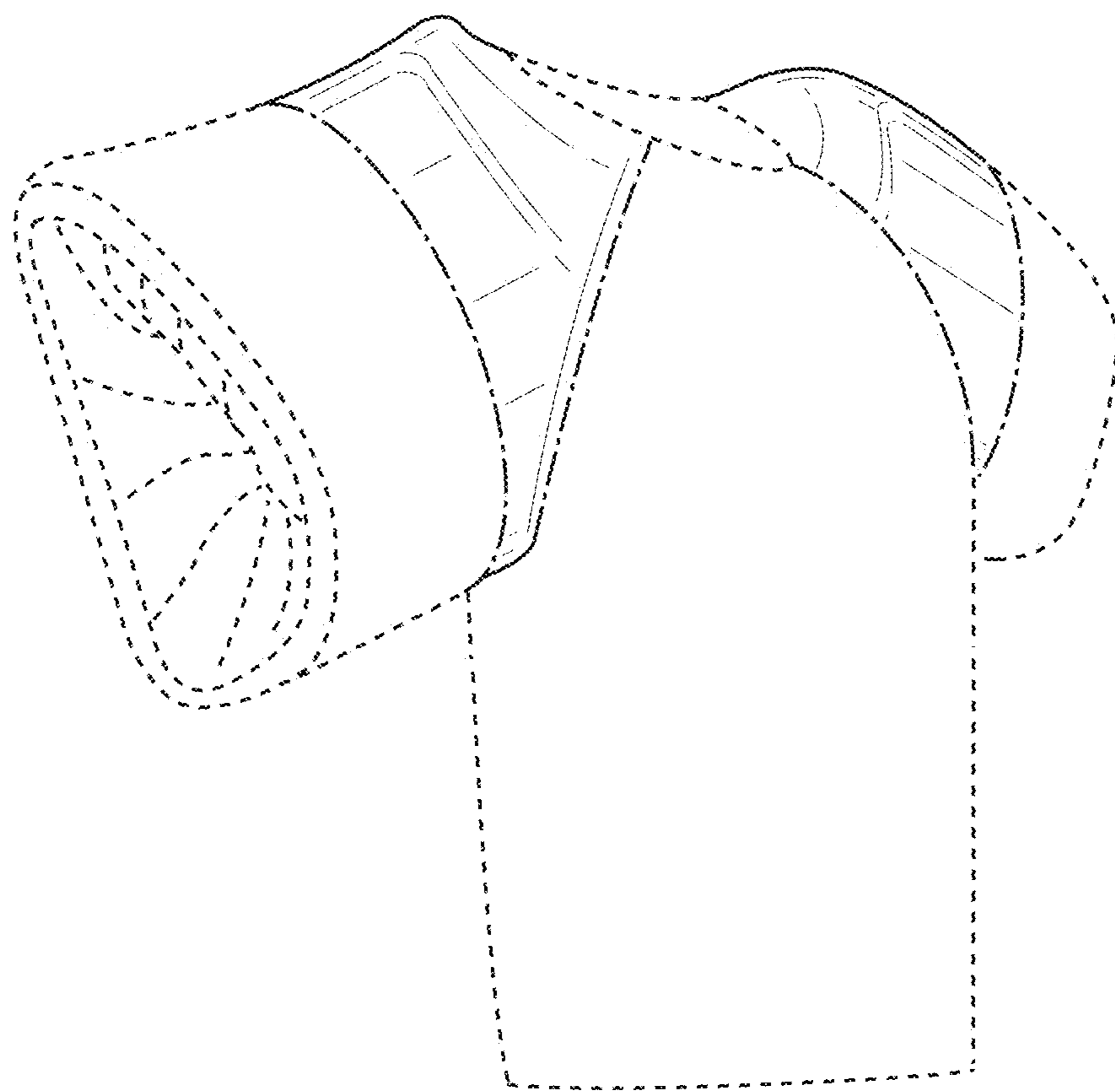


FIG. 6

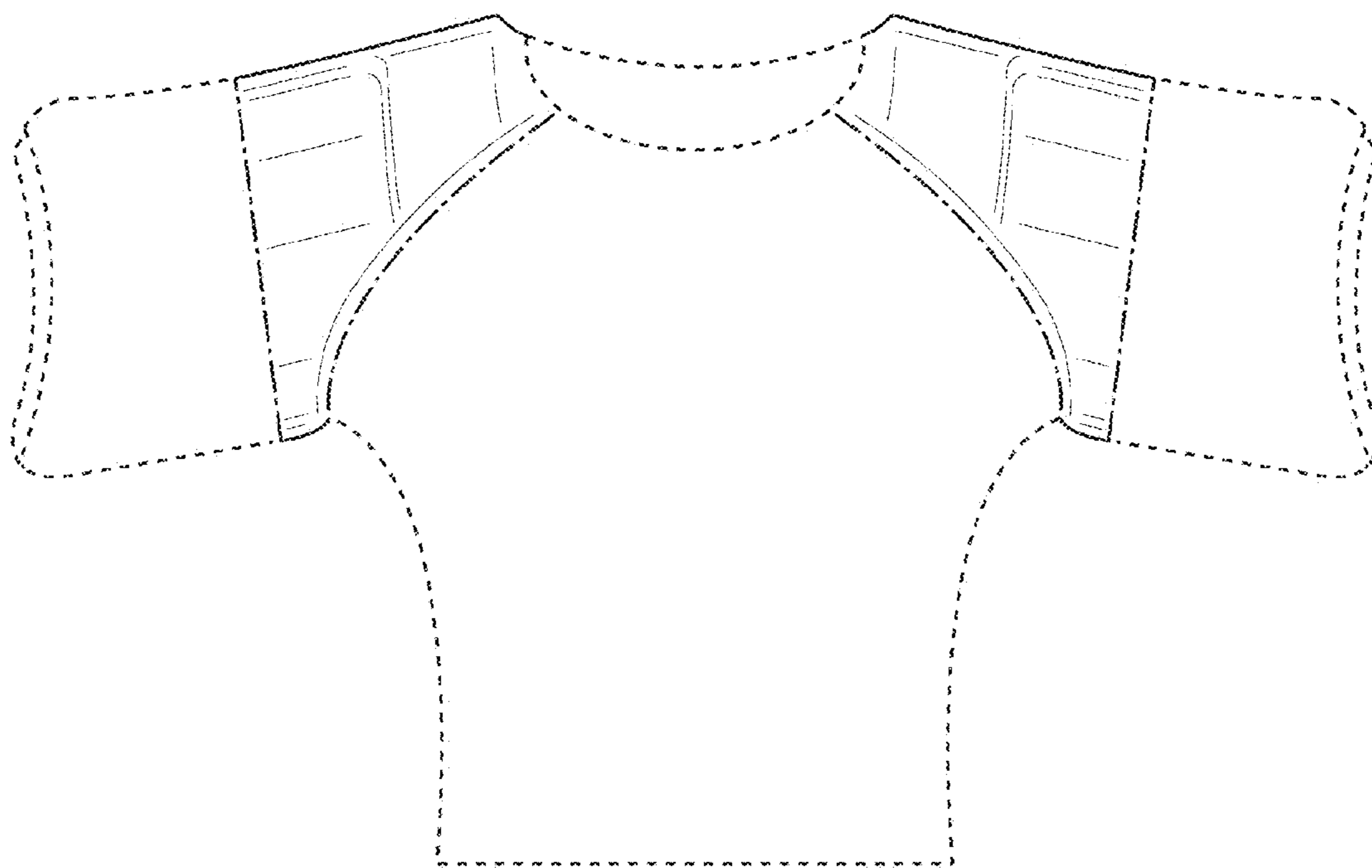


FIG. 7

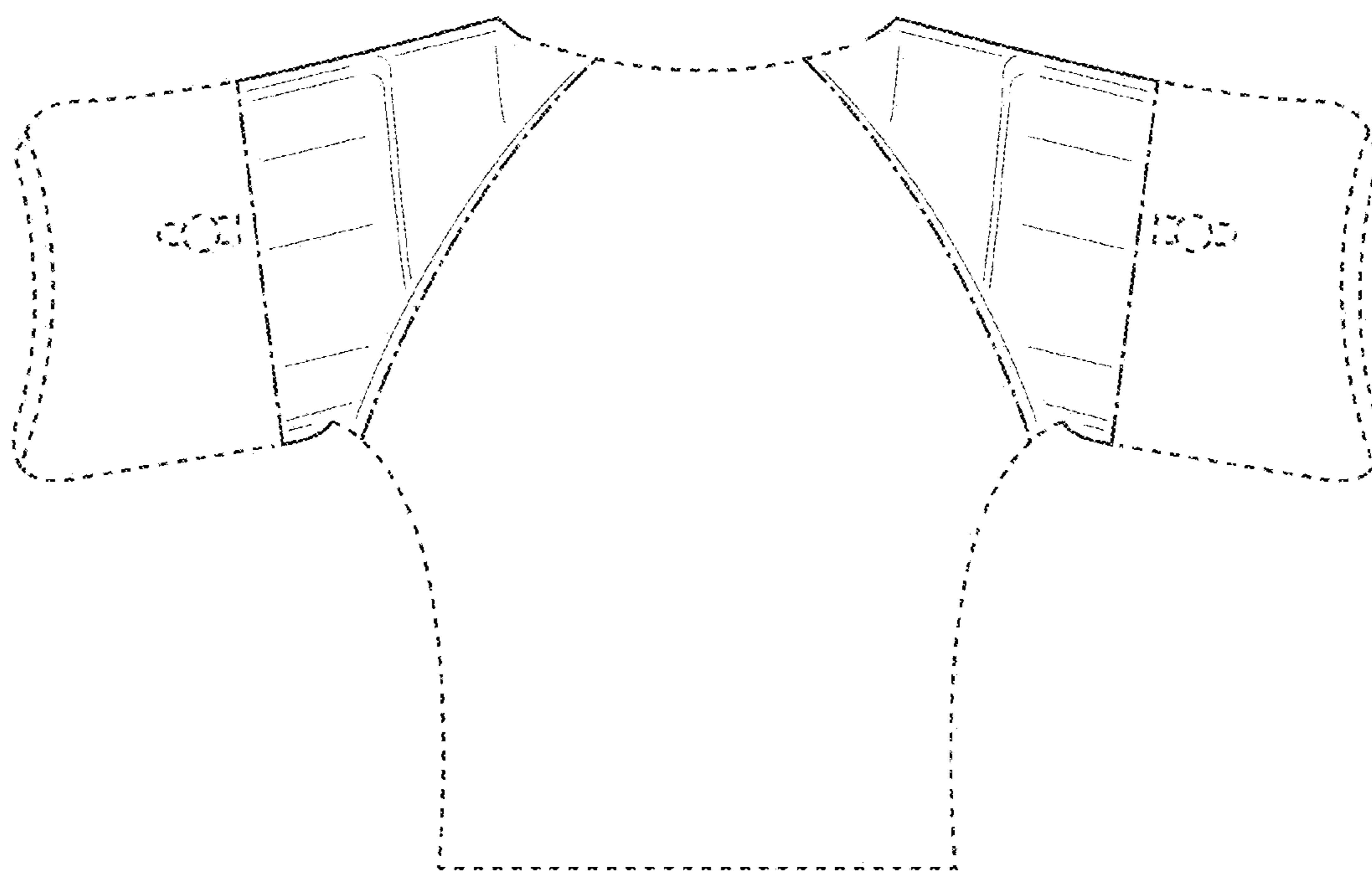


FIG. 8

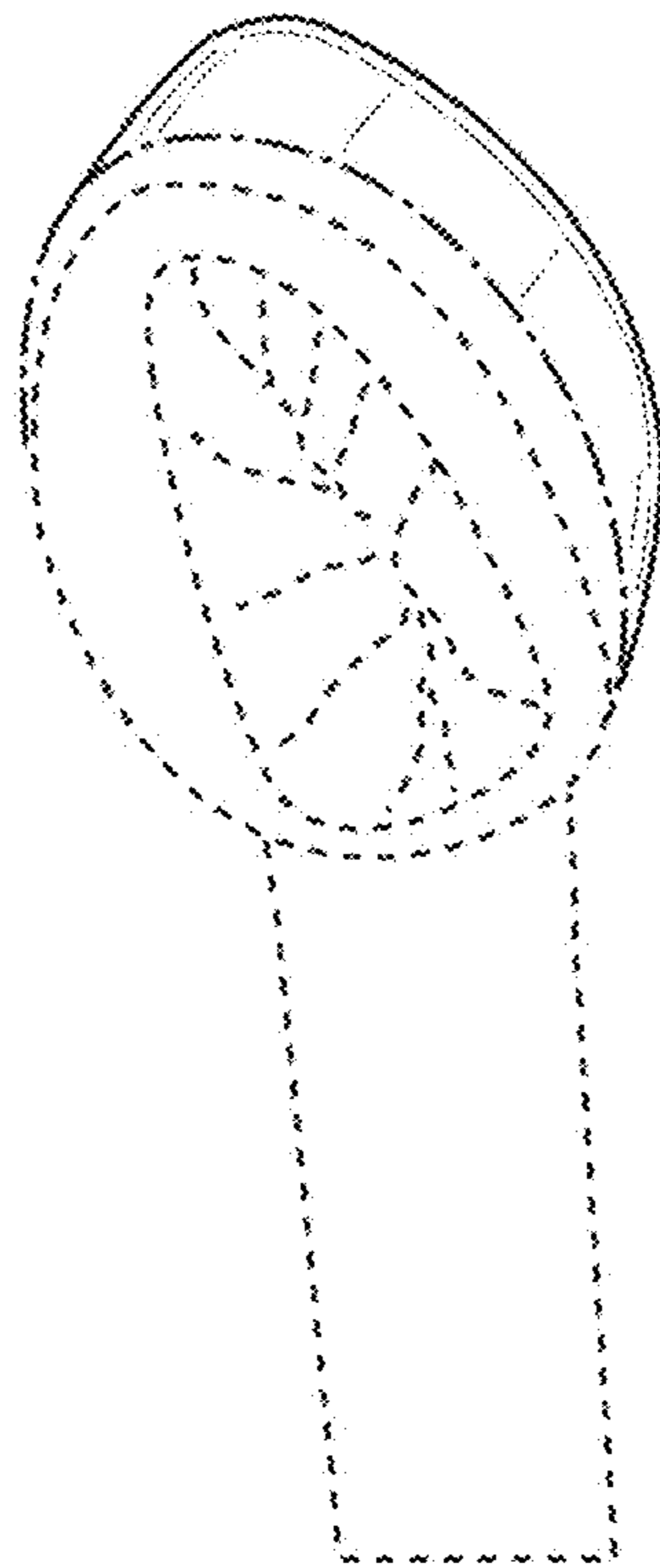


FIG. 9

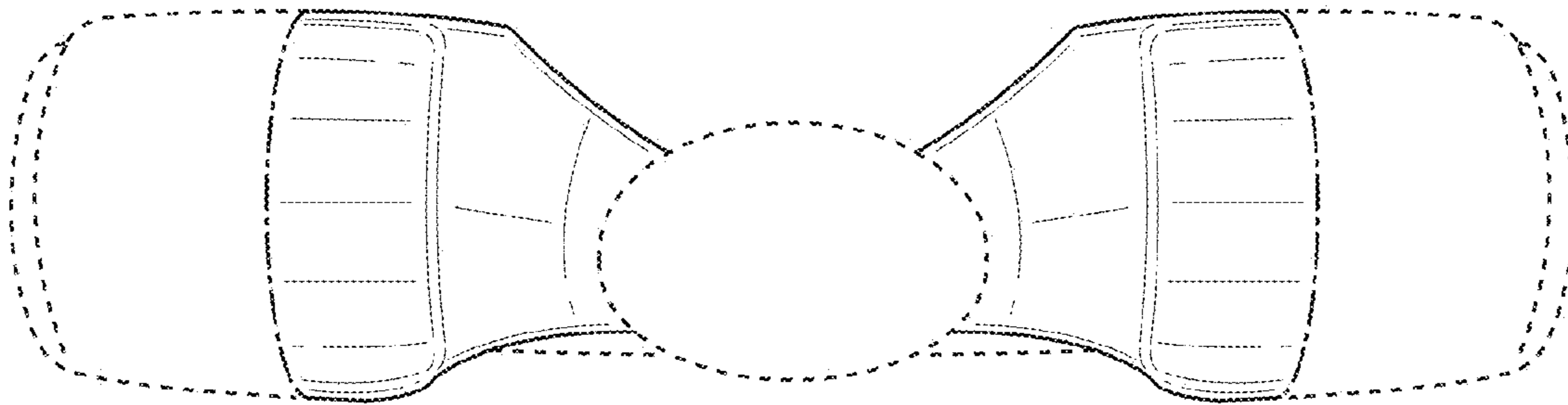


FIG. 10

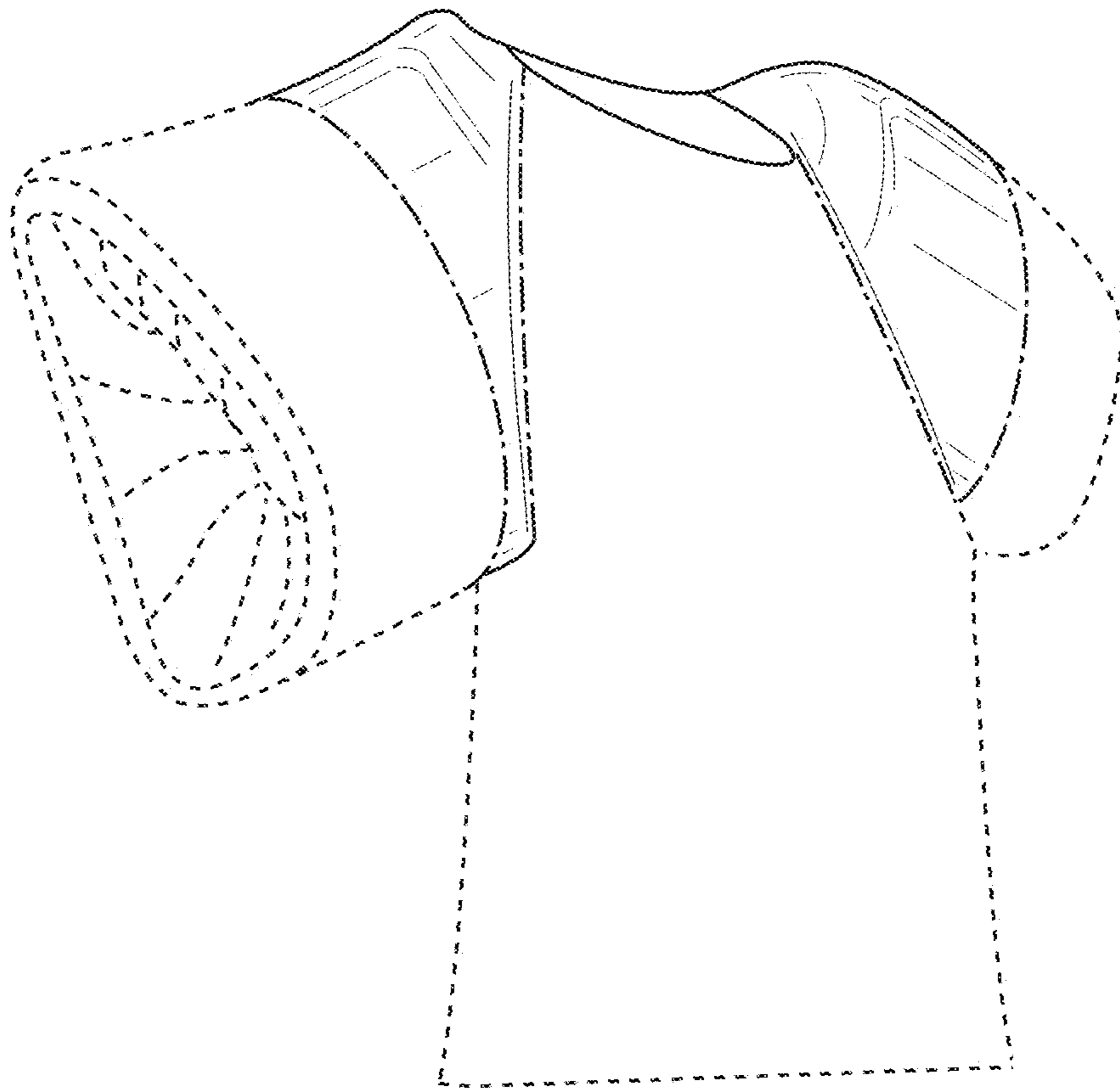


FIG. 11

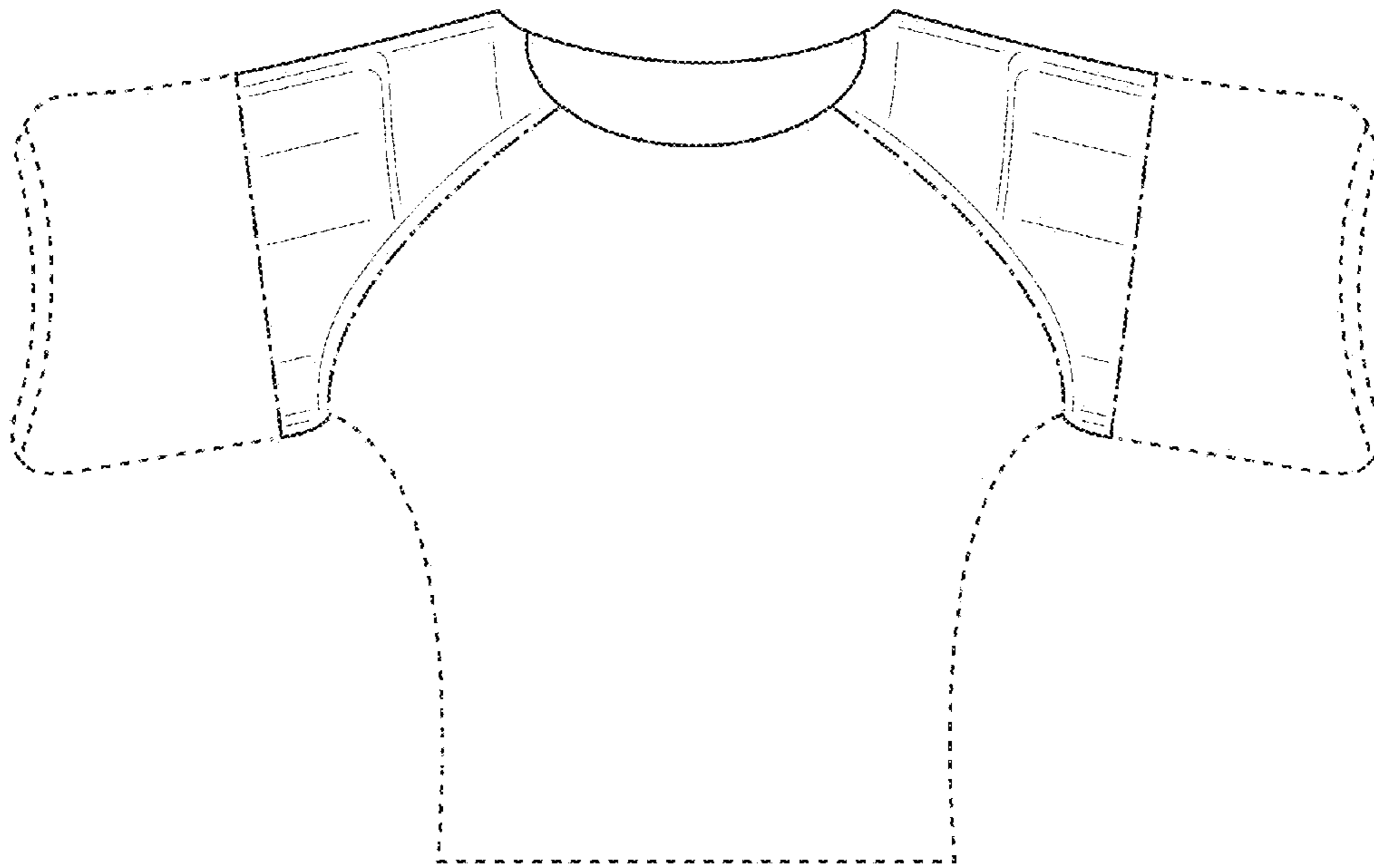


FIG. 12

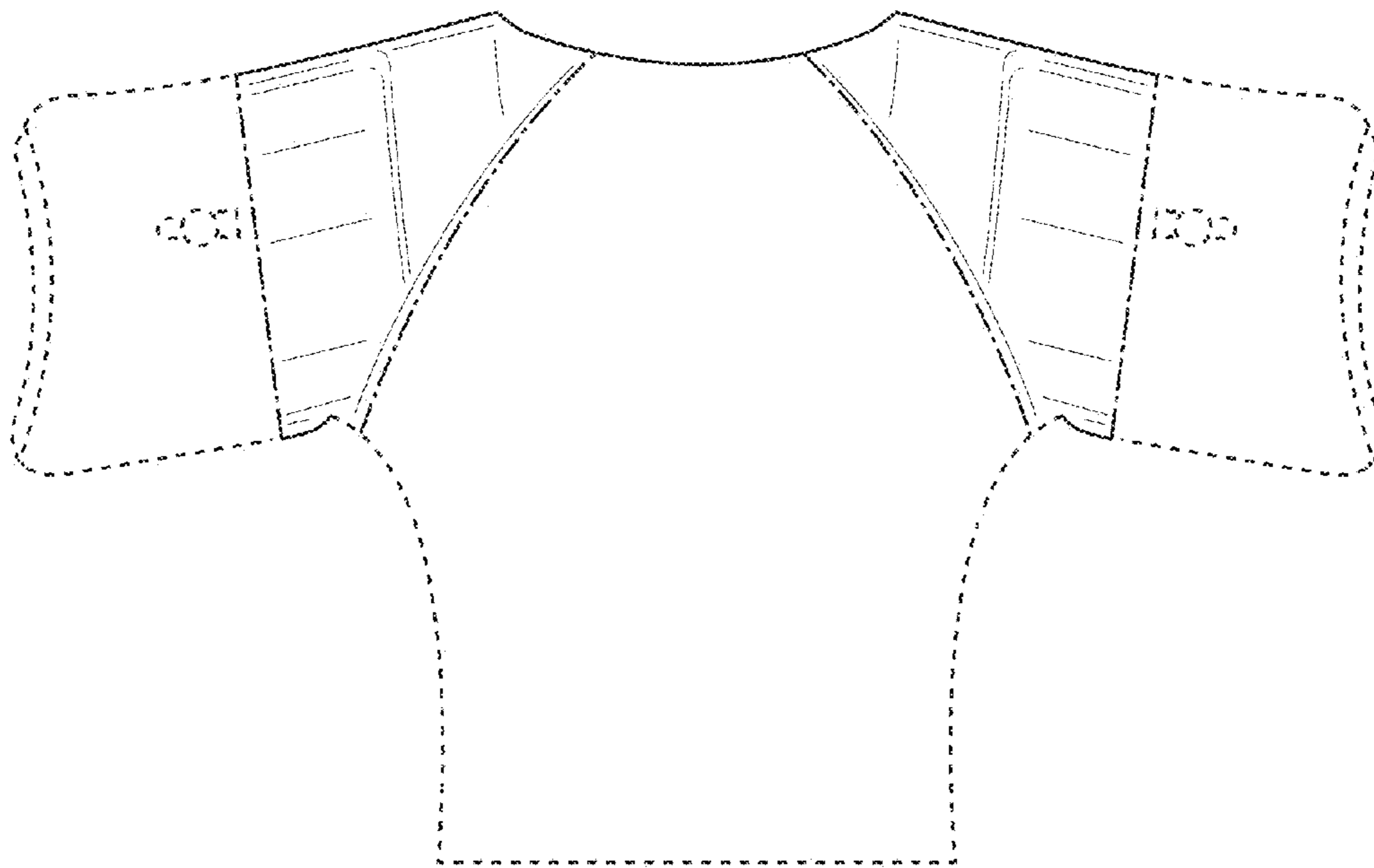


FIG. 13

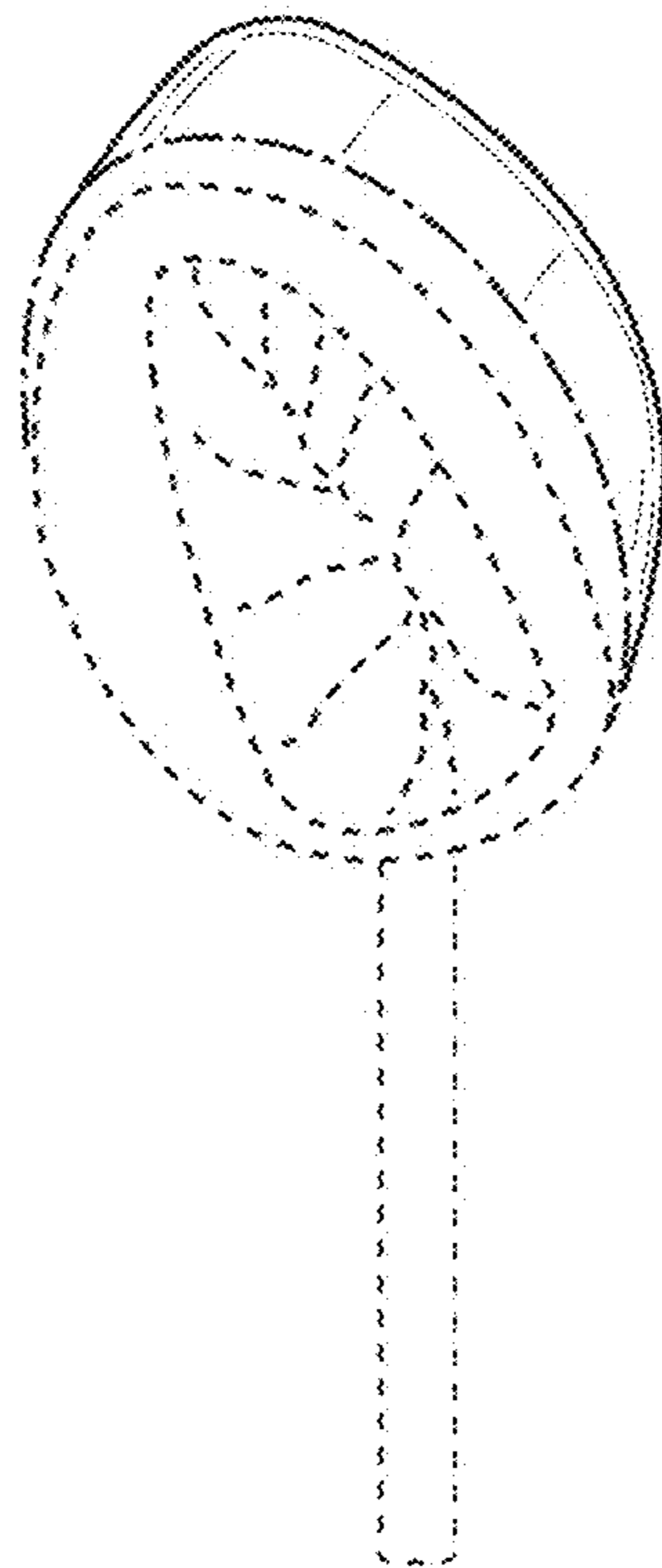


FIG. 14

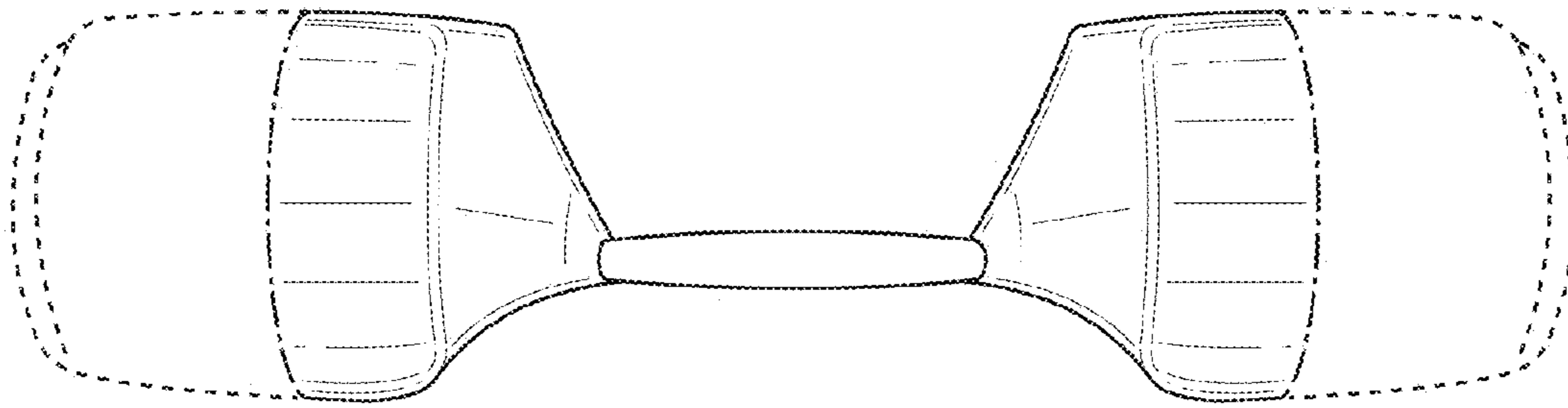


FIG. 15

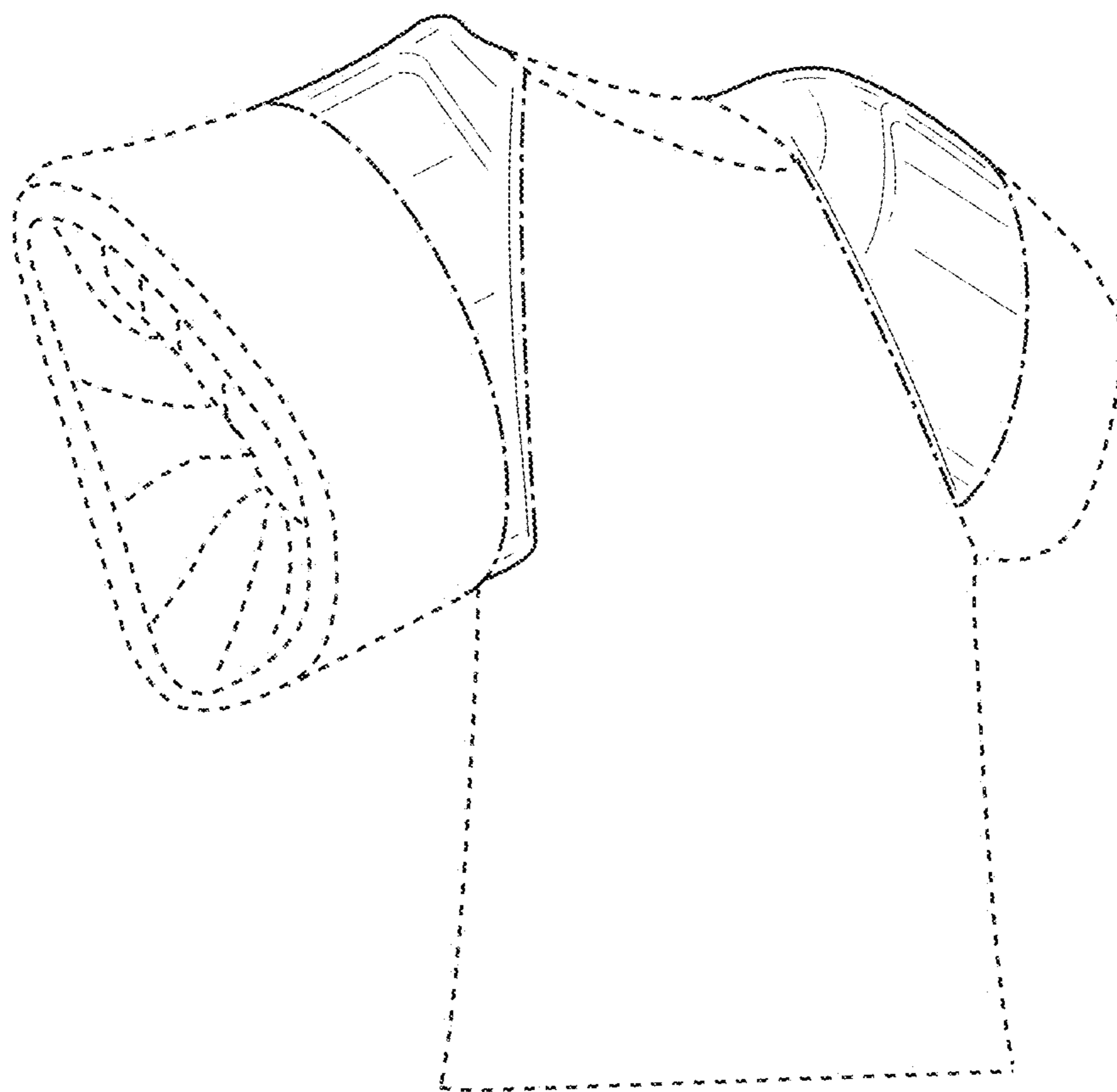


FIG. 16

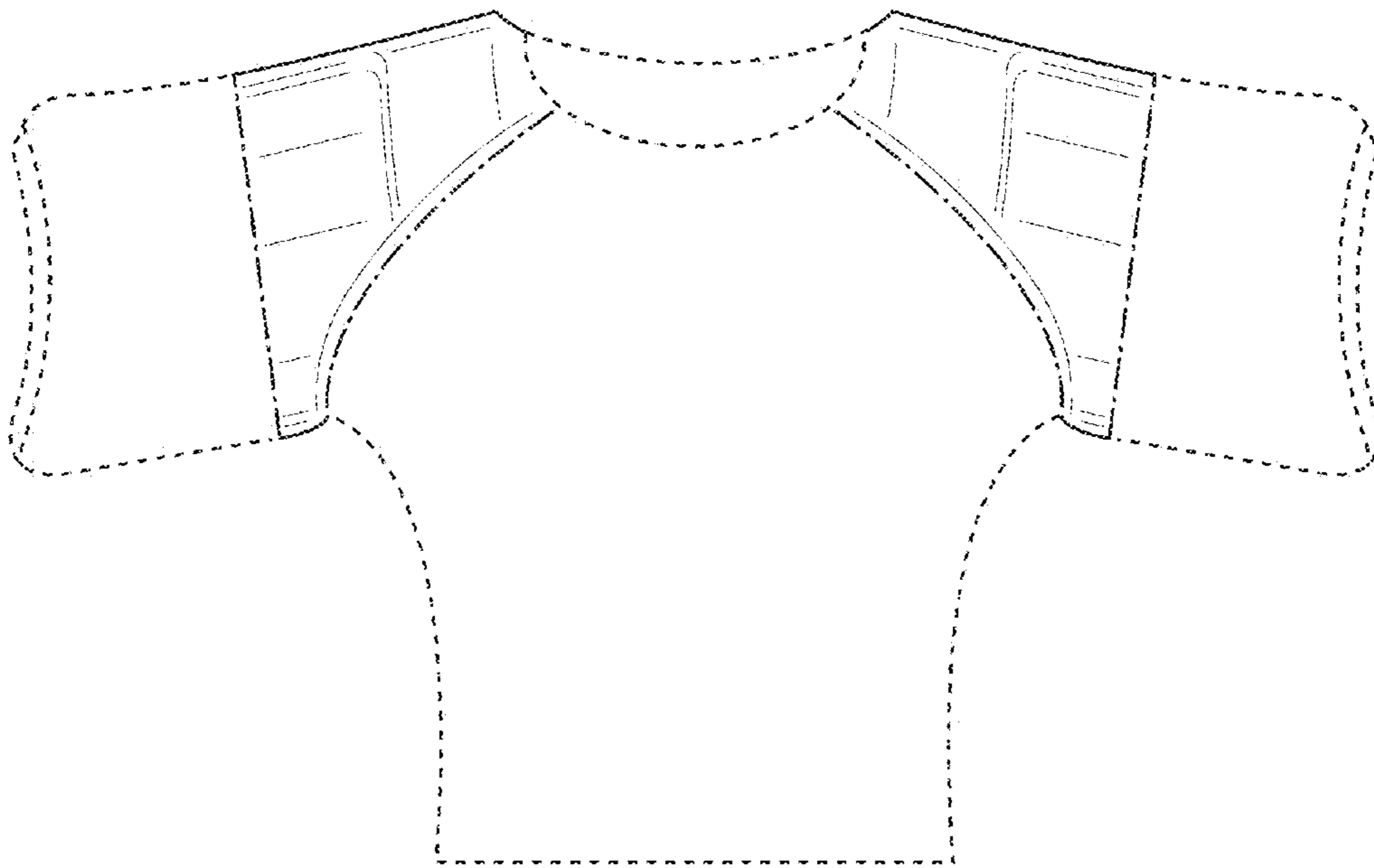


FIG. 17

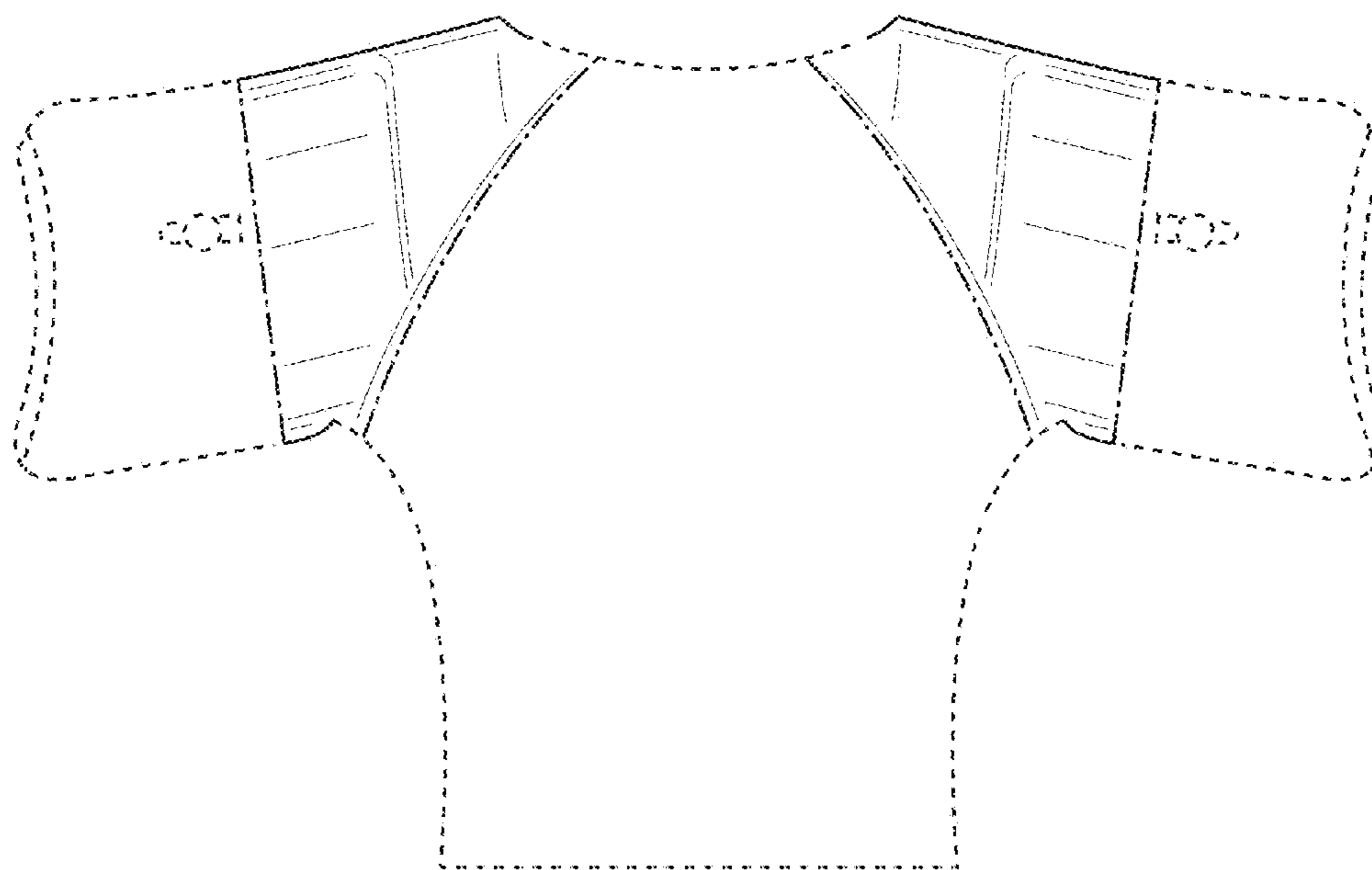


FIG. 18

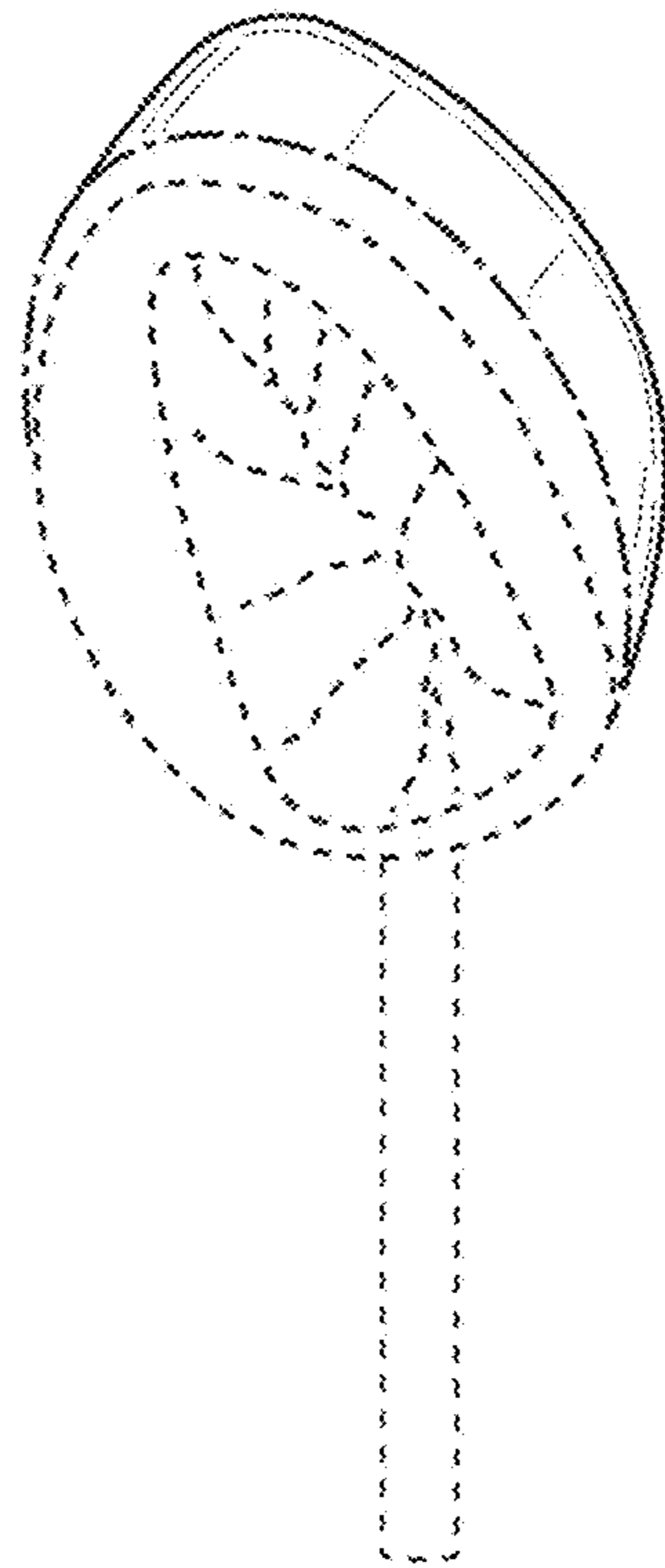


FIG. 19

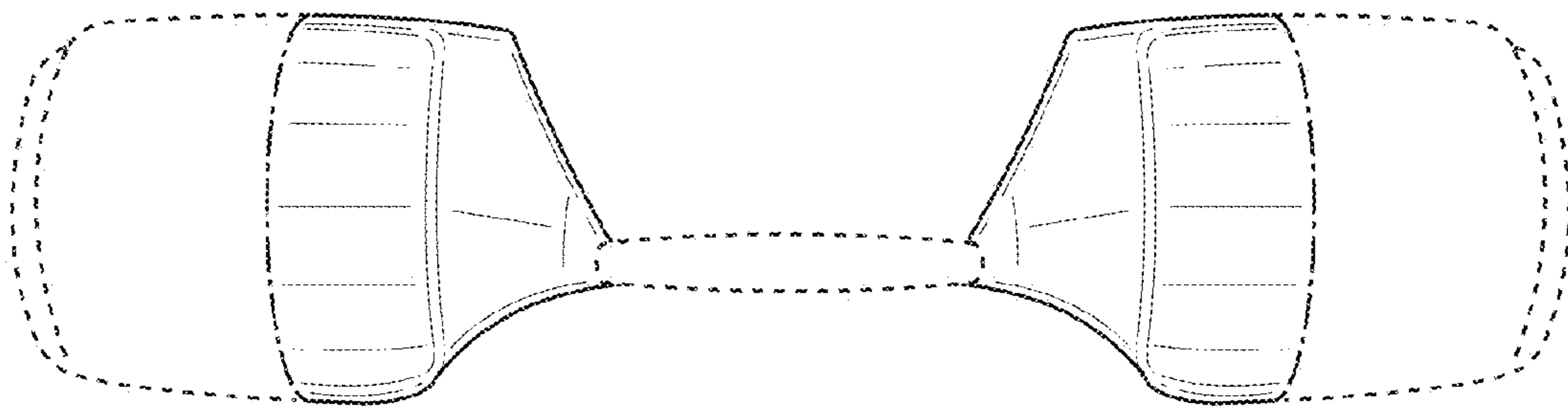


FIG. 20