



US00D736882S

(12) **United States Design Patent**
Chen

(10) **Patent No.:** **US D736,882 S**

(45) **Date of Patent:** **** Aug. 18, 2015**

(54) **INFLATABLE SEE SAW**

(71) Applicant: **Samuel Chen**, Shanghai (CN)

(72) Inventor: **Samuel Chen**, Shanghai (CN)

(**) Term: **14 Years**

(21) Appl. No.: **29/486,701**

(22) Filed: **Apr. 1, 2014**

(51) **LOC (10) Cl.** **21-02**

(52) **U.S. Cl.**

USPC **D21/803**

(58) **Field of Classification Search**

USPC D21/769-770, 801, 803, 809; 114/253,
114/345-346; 441/35, 66, 74, 40-42,
441/129-132; 472/128-129; D12/5, 6, 316;
D6/392, 595, 596, 601, 604, 605

CPC B63B 35/76

See application file for complete search history.

(56) **References Cited**

U.S. PATENT DOCUMENTS

5,070,807 A * 12/1991 Lewis 114/361

5,718,612 A * 2/1998 Elsholz 441/38

D430,845 S * 9/2000 Elsholz D12/316

6,491,558 B1 * 12/2002 Myers 441/130

D574,459 S * 8/2008 Peterson D21/801

* cited by examiner

Primary Examiner — Zenia Bennett

(74) *Attorney, Agent, or Firm* — Clement Cheng

(57) **CLAIM**

The ornamental design for an inflatable see saw, as shown and described.

DESCRIPTION

FIG. 1 is a perspective view.

FIG. 2 is a perspective view showing the interior of the airline.

FIG. 3 is a side view.

FIG. 4 is a front view.

FIG. 5 is a top view.

FIG. 6 is a perspective view of the second embodiment.

FIG. 7 is a perspective view of the second embodiment showing the interior of the airline.

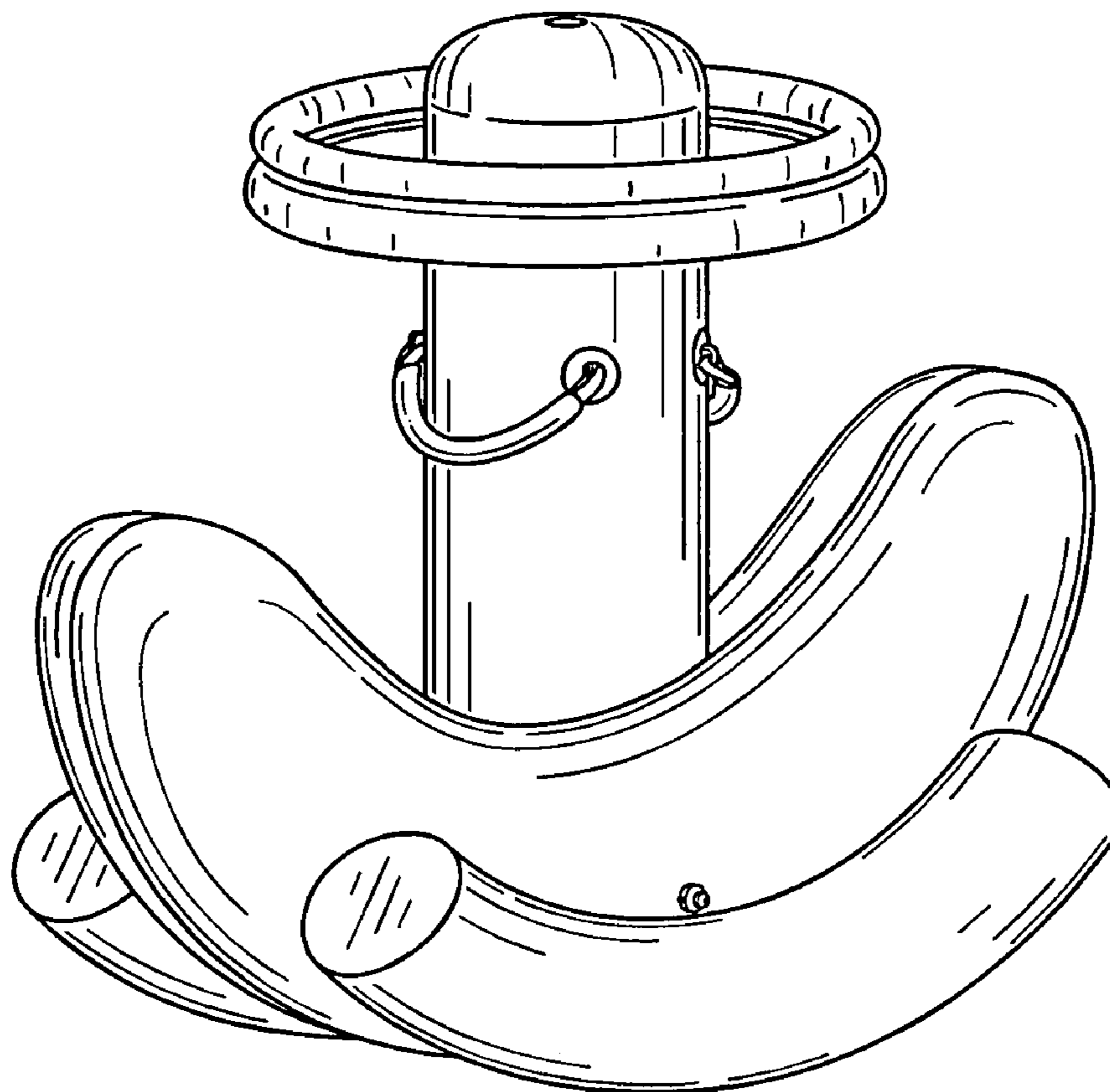
FIG. 8 is a side view.

FIG. 9 is a front view; and,

FIG. 10 is a top view.

The dotted line in the drawing forms no part of the claimed invention.

1 Claim, 4 Drawing Sheets



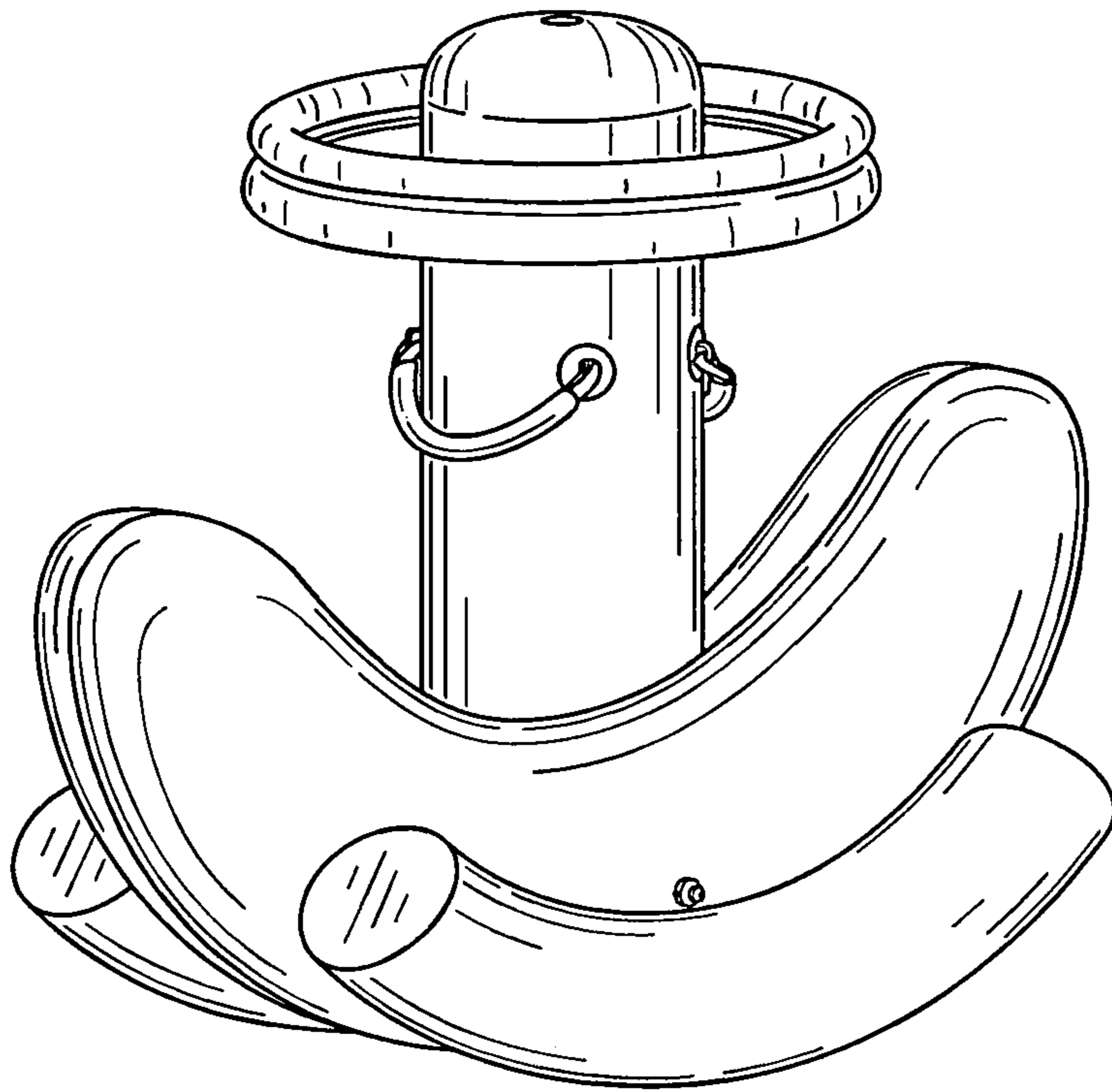


FIG. 1

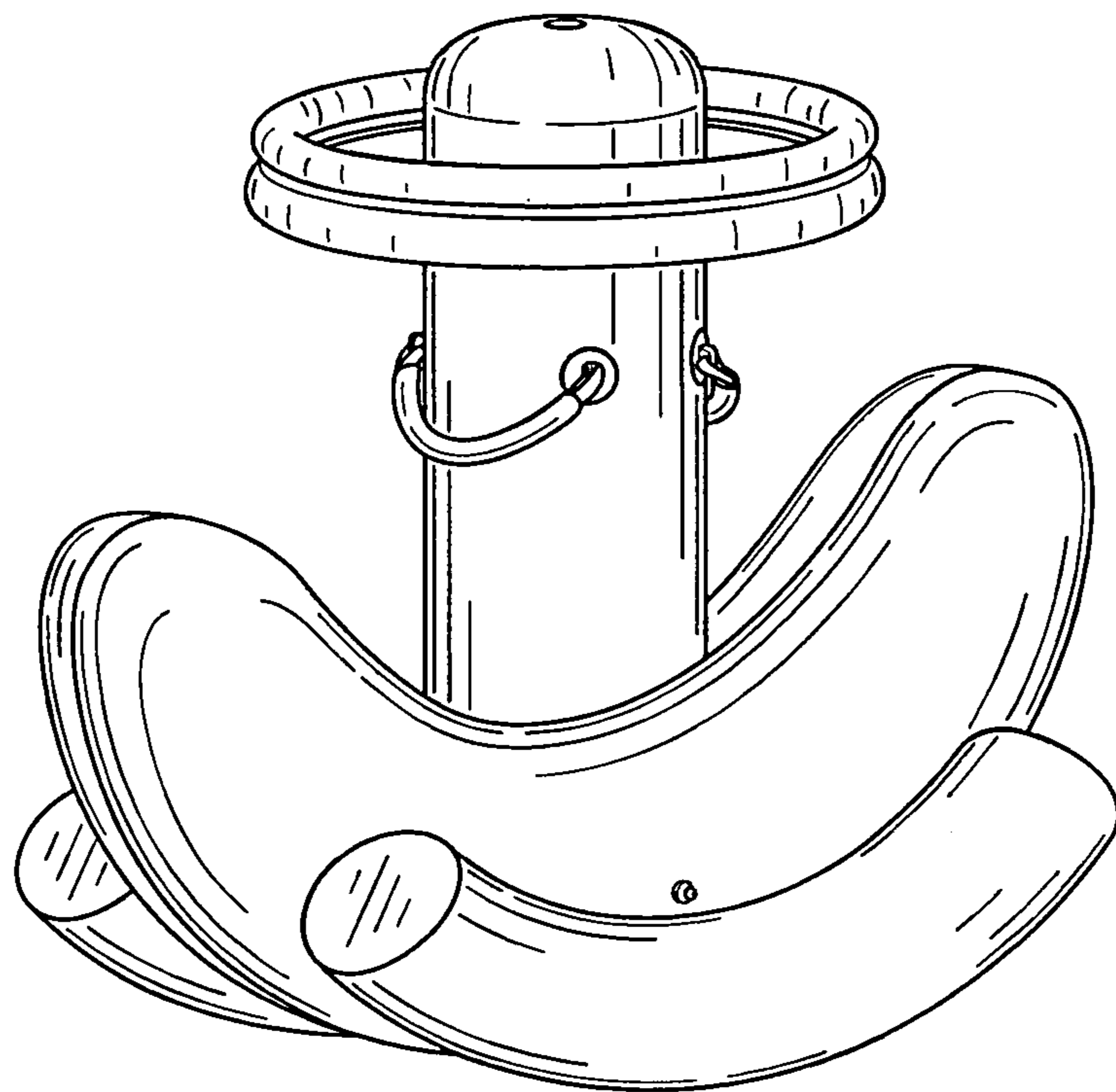


FIG. 2

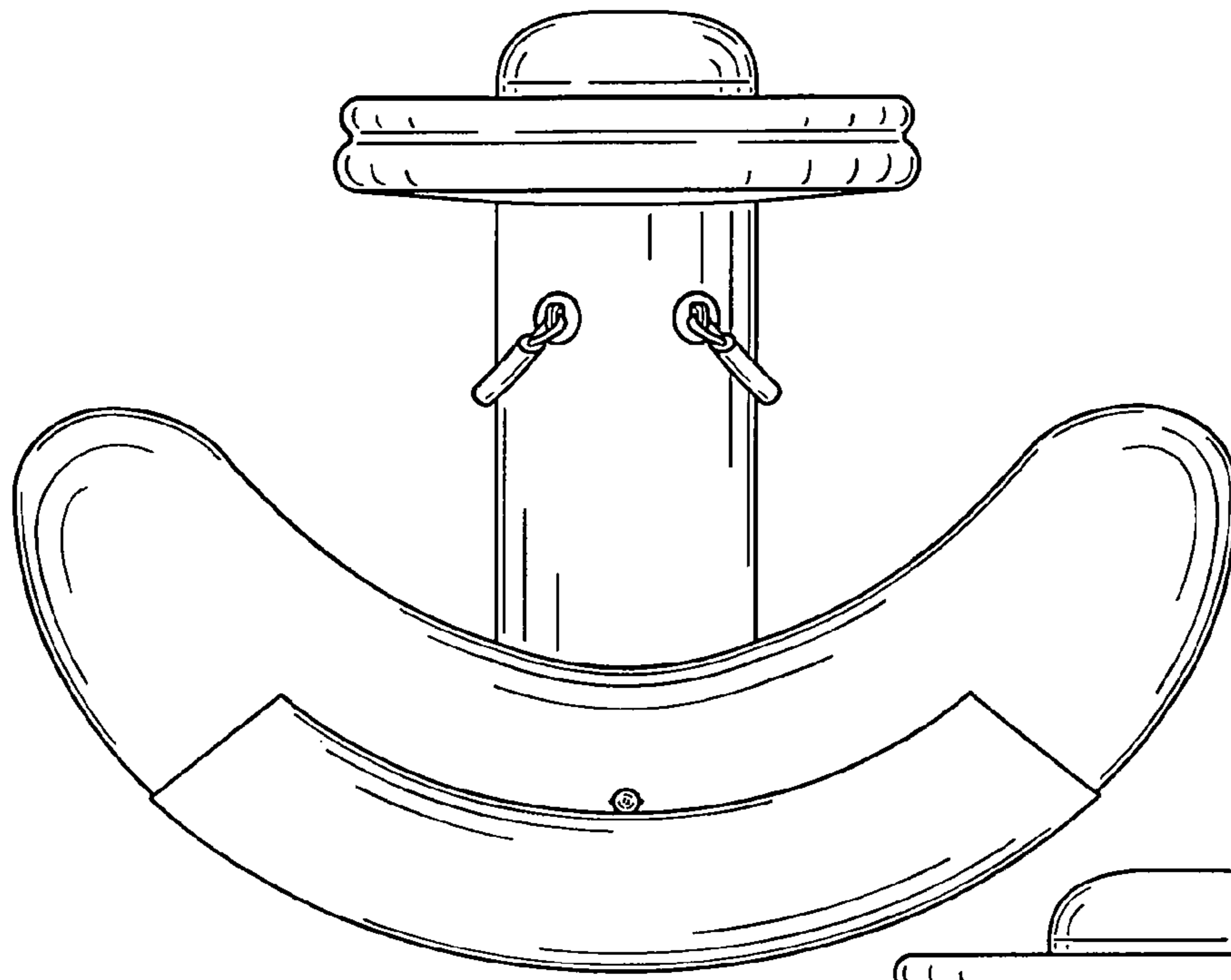


FIG. 3

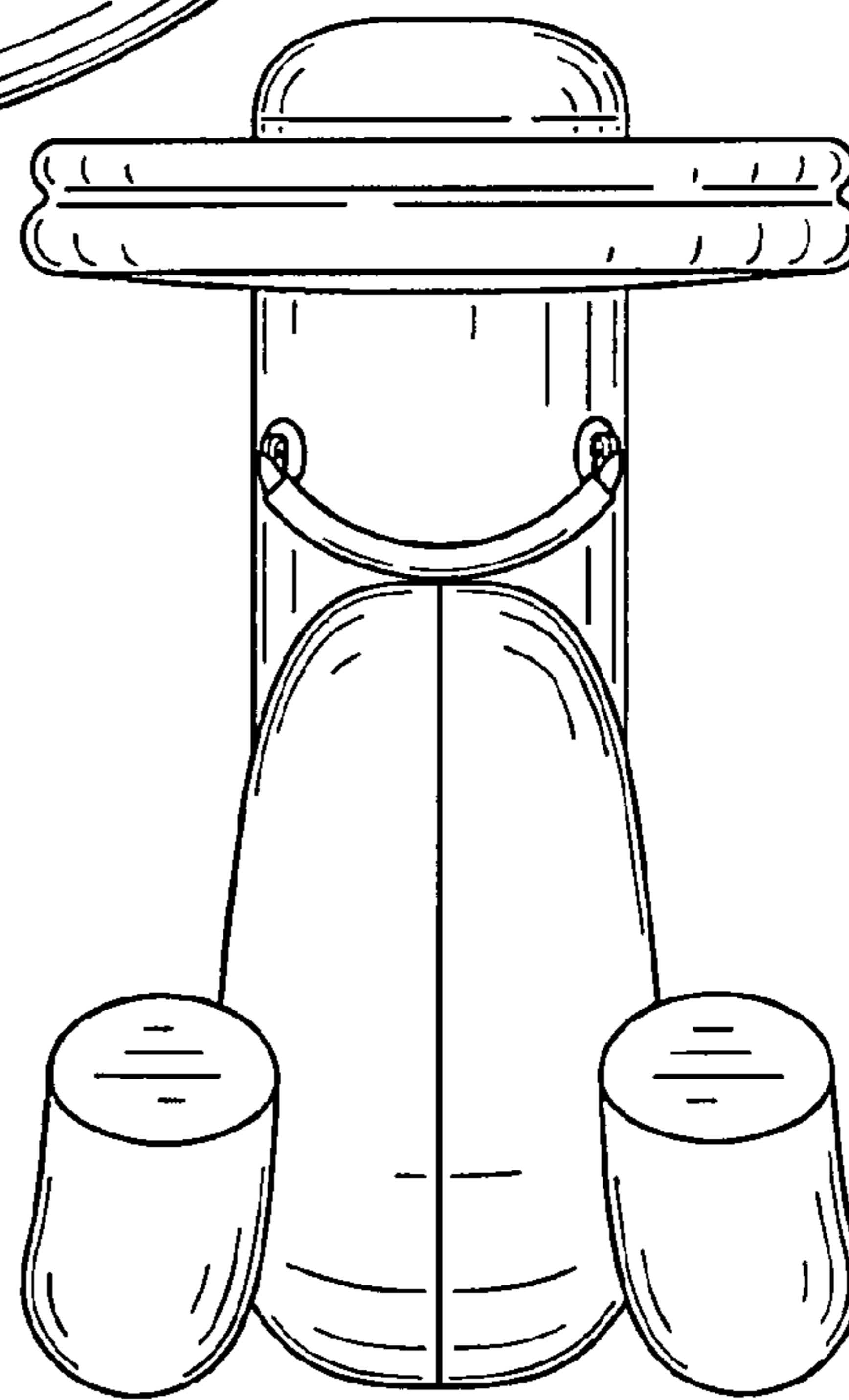


FIG. 4

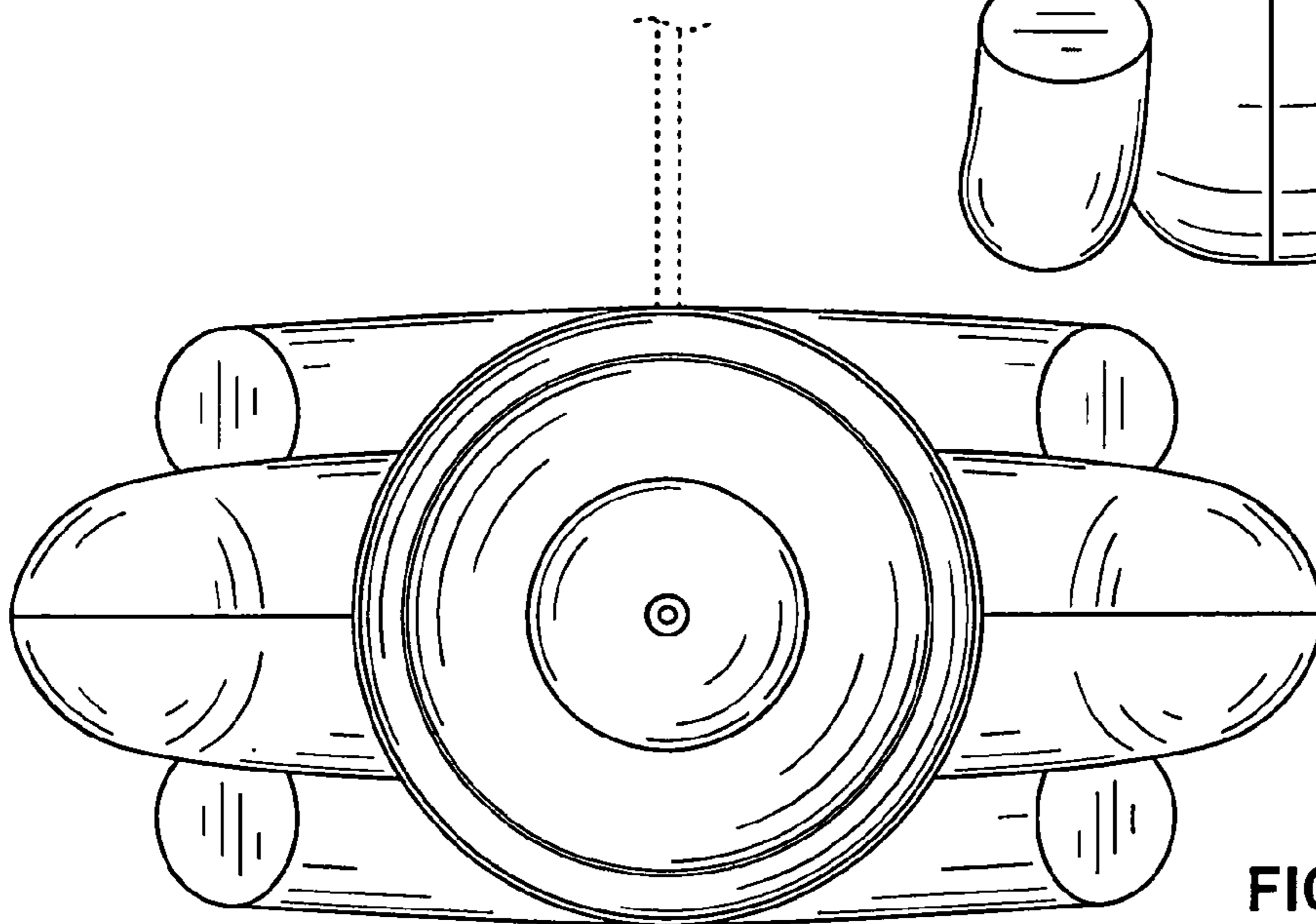


FIG. 5

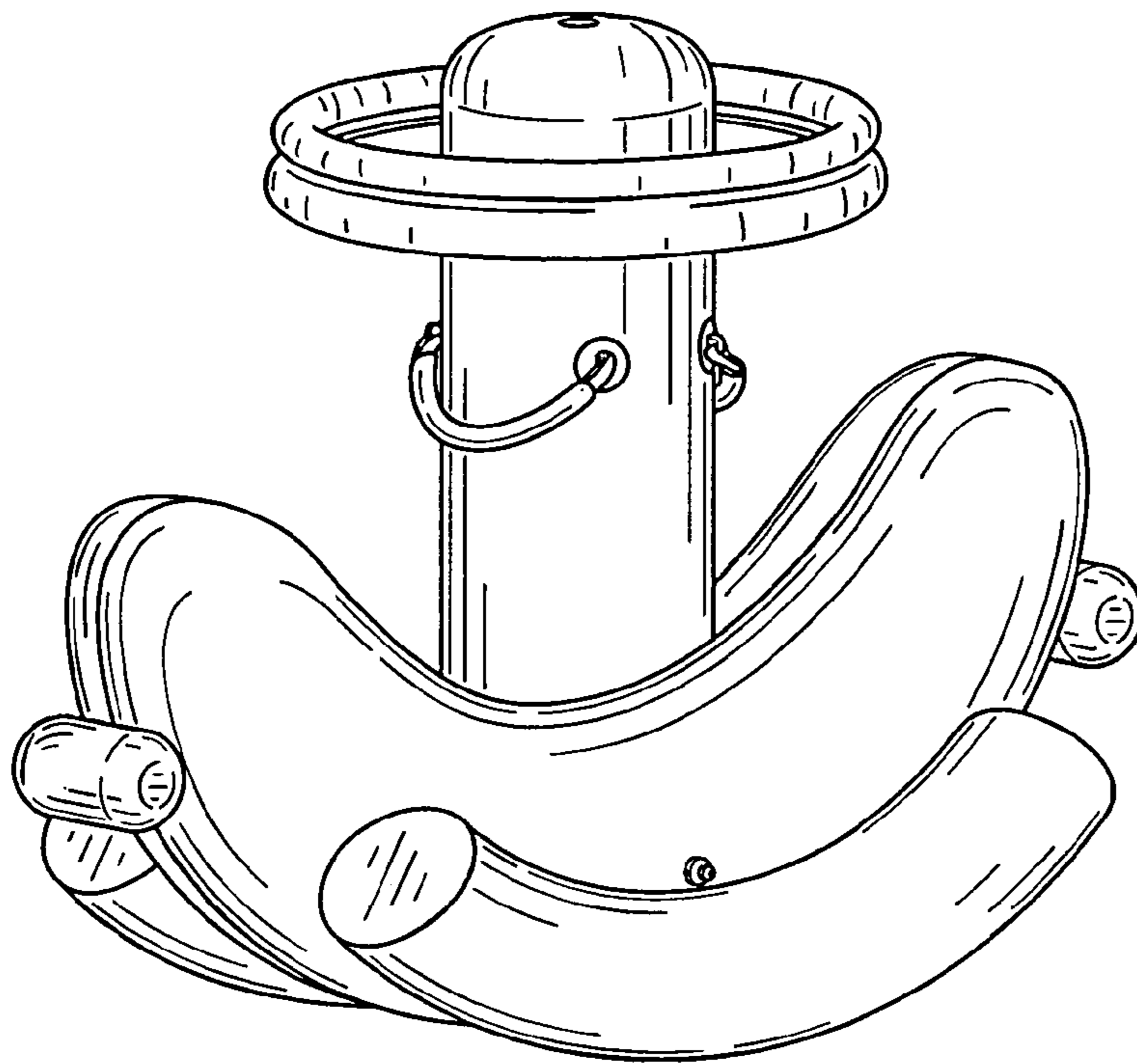


FIG. 6

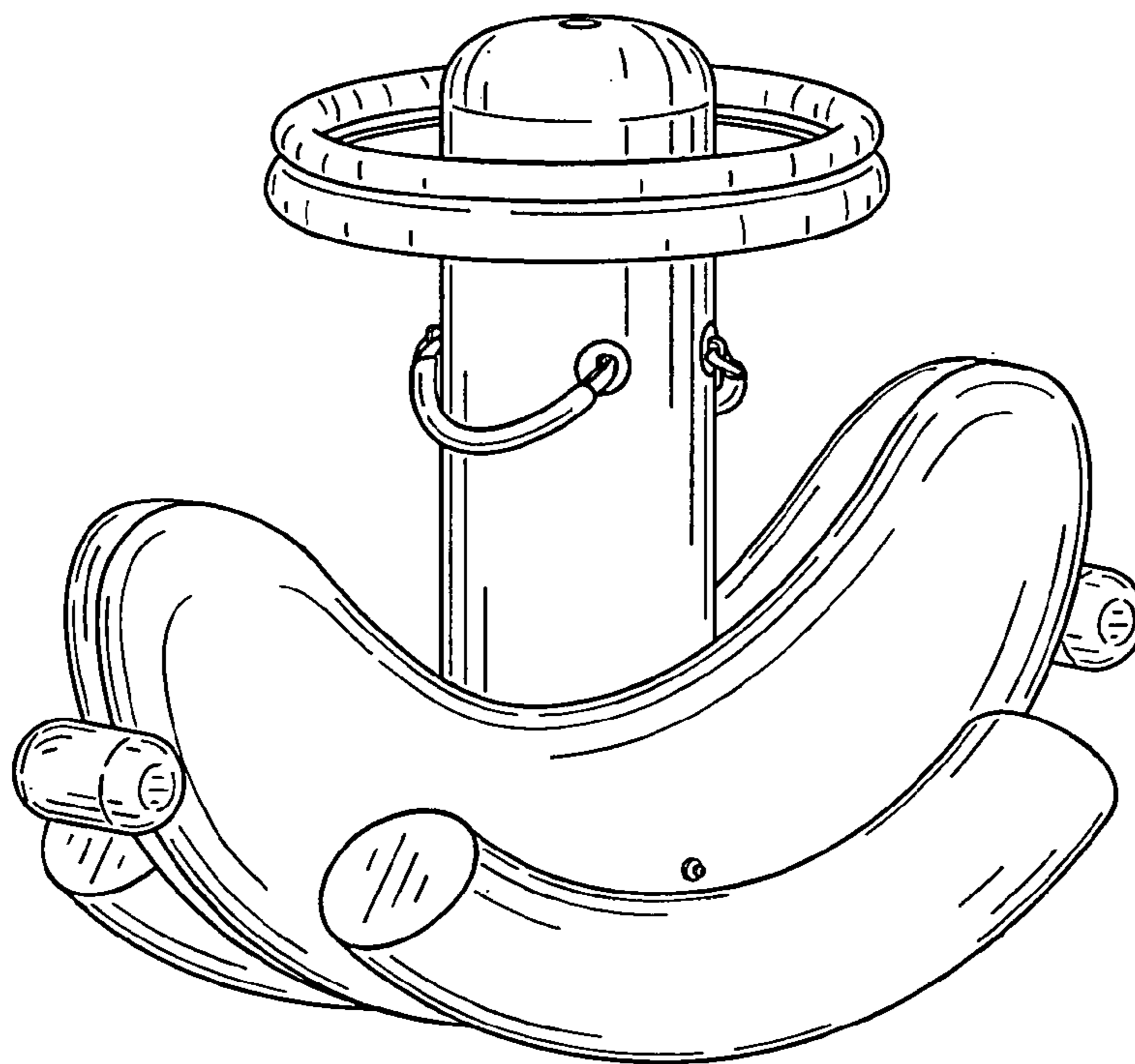


FIG. 7

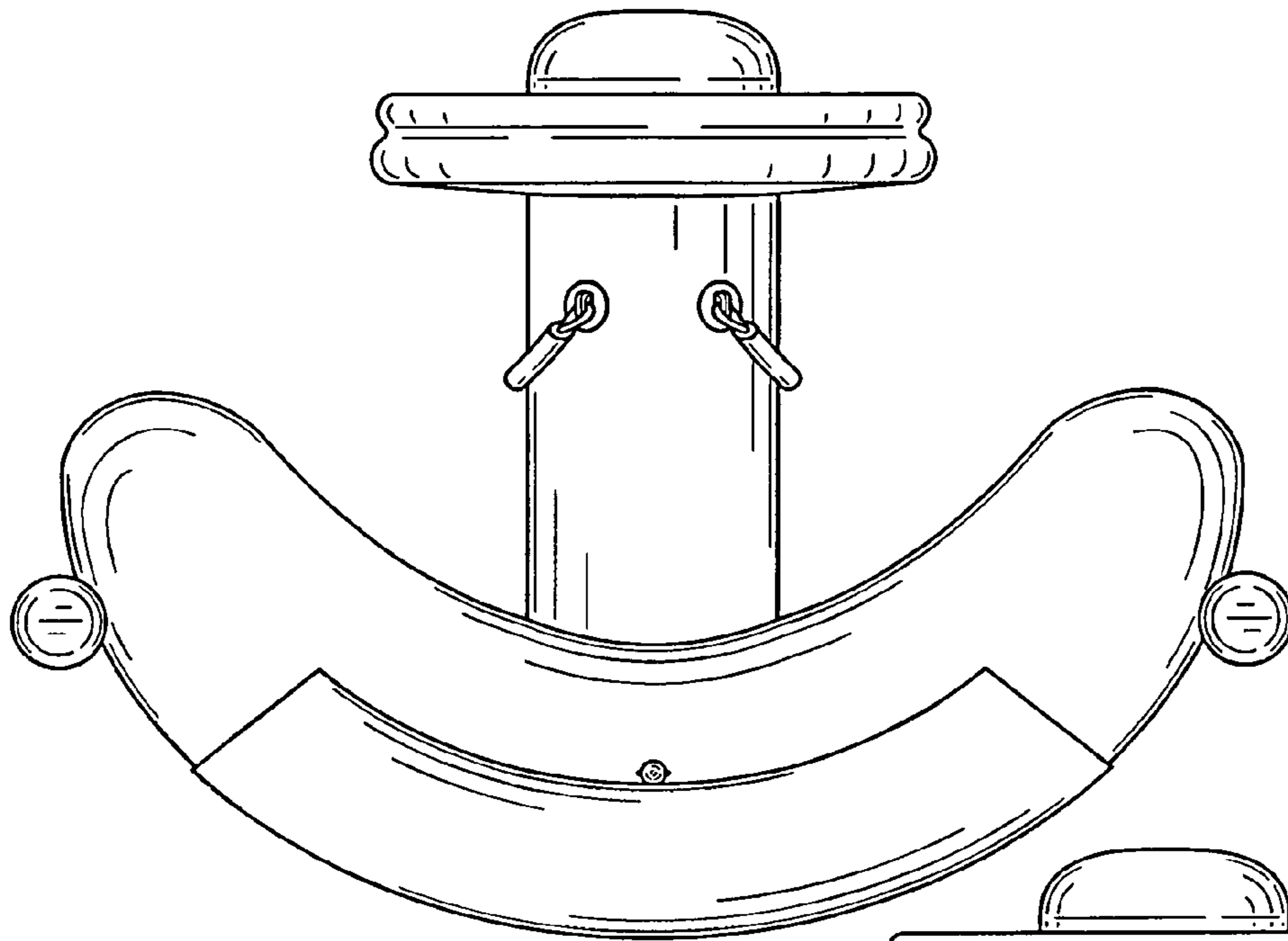


FIG. 8

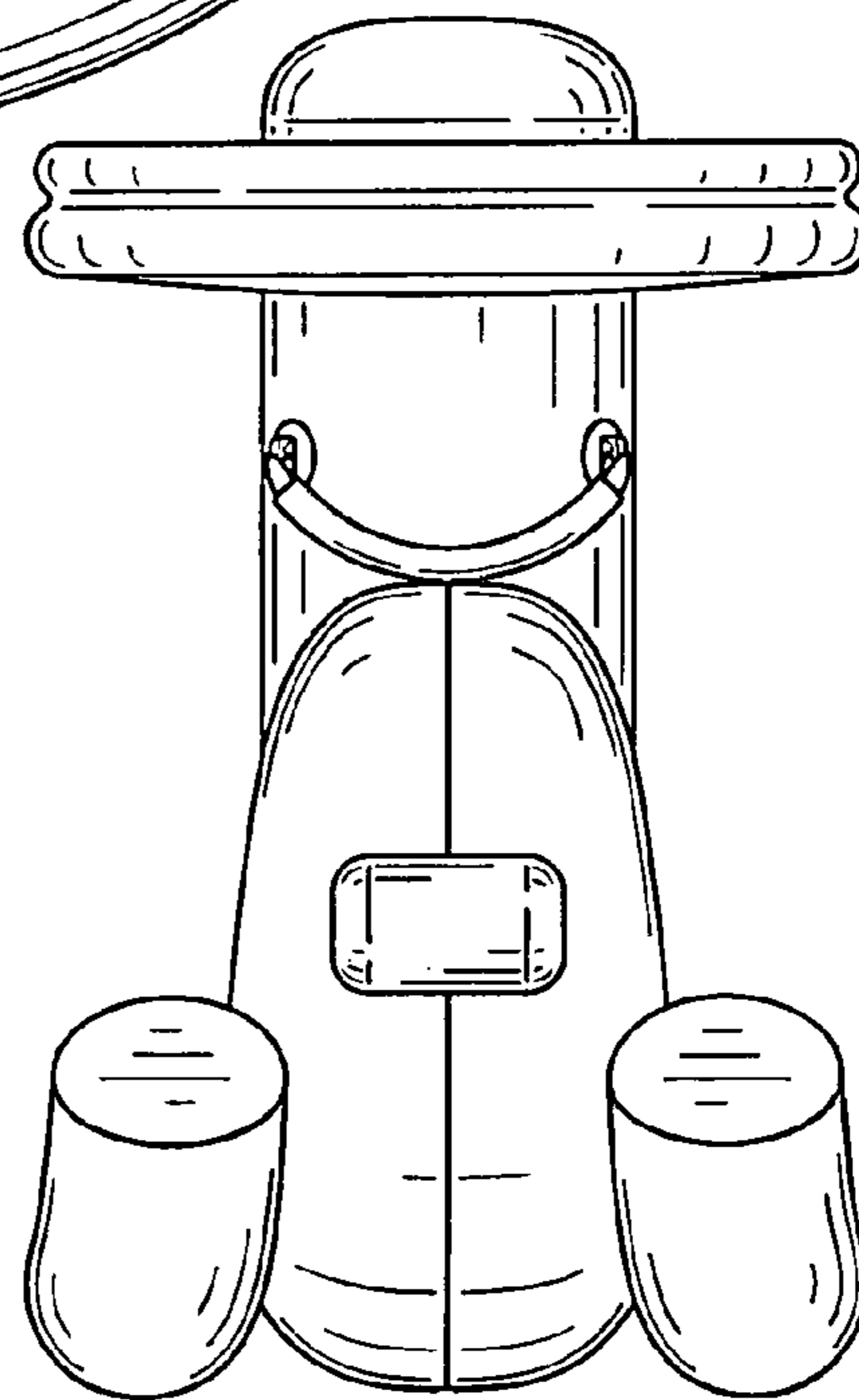


FIG. 9

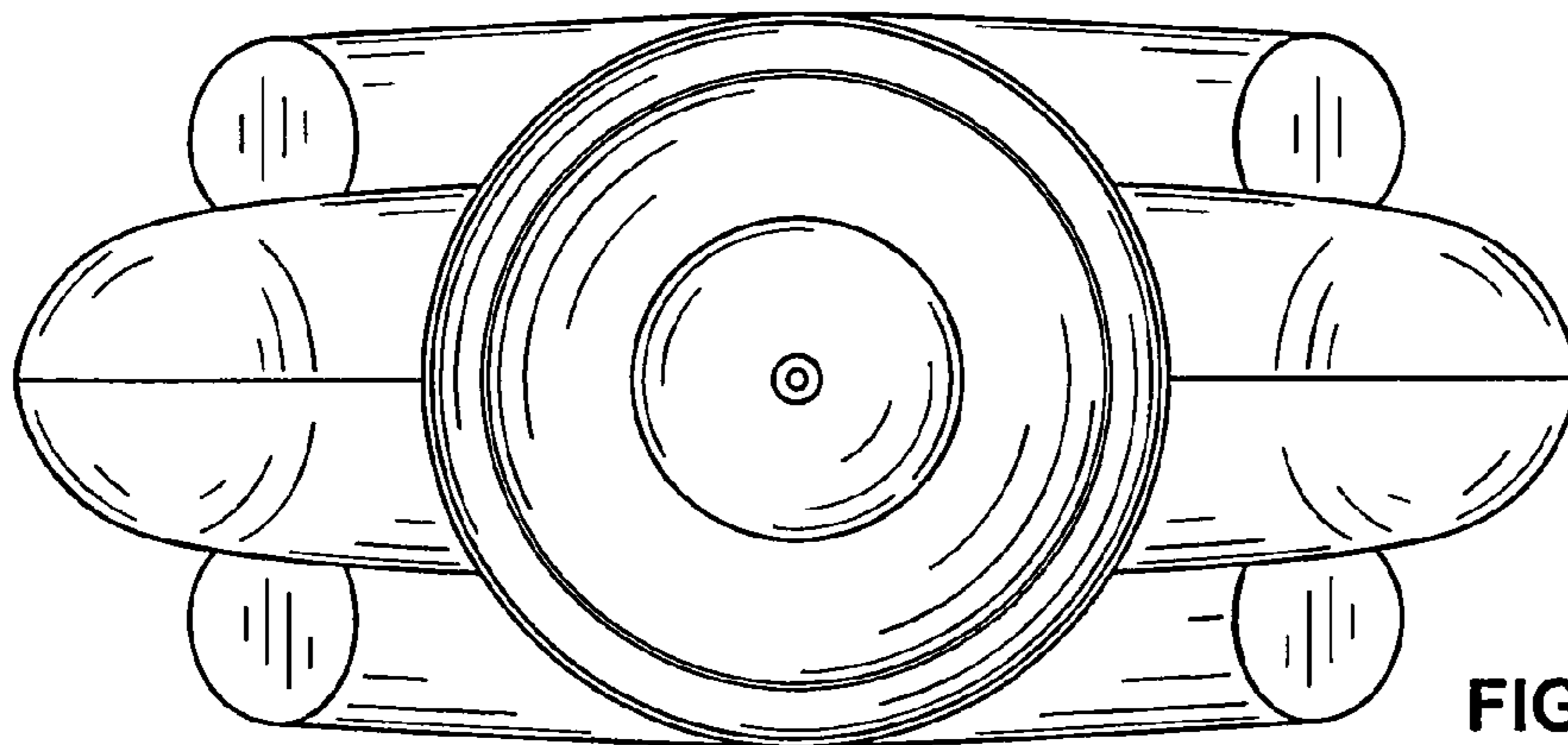


FIG. 10