



US00D736880S

(12) **United States Design Patent**  
**Moore et al.**

(10) **Patent No.:** **US D736,880 S**

(45) **Date of Patent:** **\*\* Aug. 18, 2015**

(54) **RECREATIONAL BOARD SPLASH GUARD**

(71) Applicants: **Wade Richard Moore**, Trumbull, CT (US); **Shane Michael Feyers**, New Haven, CT (US)

(72) Inventors: **Wade Richard Moore**, Trumbull, CT (US); **Shane Michael Feyers**, New Haven, CT (US)

(\*\*) Term: **14 Years**

(21) Appl. No.: **29/466,708**

(22) Filed: **Sep. 10, 2013**

(51) **LOC (10) Cl.** ..... **21-02**

(52) **U.S. Cl.**  
USPC ..... **D21/772**

(58) **Field of Classification Search**  
USPC ..... D21/772; D12/185, 186; 280/87.042, 280/210, 211, 847, 848, 851  
CPC ..... B62D 25/16; A63C 17/002; A63C 17/01  
See application file for complete search history.

(56) **References Cited**

**U.S. PATENT DOCUMENTS**

2,023,128 A \* 12/1935 Ferris ..... 280/11.26  
D234,502 S \* 3/1975 Hanagan ..... D12/186  
3,995,873 A \* 12/1976 Pantzar ..... 280/87.042

D246,645 S \* 12/1977 Petty ..... D12/186  
4,657,265 A \* 4/1987 Ruth ..... 280/843  
4,817,974 A \* 4/1989 Bergeron ..... 280/87.042  
6,254,113 B1 \* 7/2001 Dornan ..... 280/87.042  
D489,300 S \* 5/2004 Chang et al. .... D12/186  
6,799,782 B2 \* 10/2004 Jain et al. .... 280/848  
7,669,798 B2 \* 3/2010 Guering et al. .... 244/121  
2002/0109347 A1 \* 8/2002 Sheppard ..... 280/851  
2002/0148663 A1 \* 10/2002 Chang ..... 180/210  
2014/0091565 A1 \* 4/2014 Feyers et al. .... 280/851

\* cited by examiner

*Primary Examiner* — Cynthia M Chin

(74) *Attorney, Agent, or Firm* — Wasserbauer Law LLC; Damian Wasserbauer, Esq.

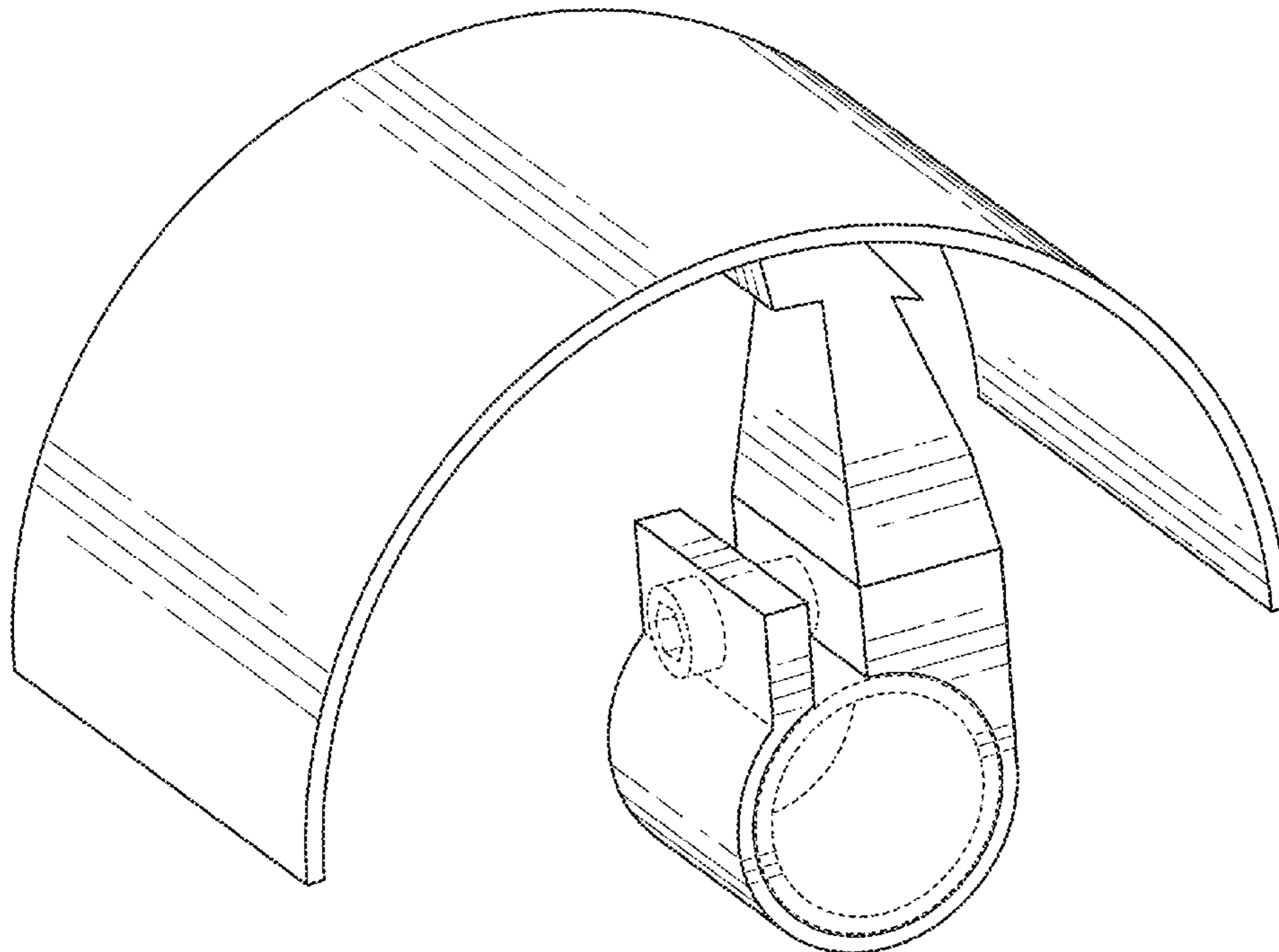
(57) **CLAIM**

The ornamental design for a recreational board splash guard, as shown and described.

**DESCRIPTION**

FIG. 1 is a perspective of the recreational board splash guard in accordance with the present invention;  
FIG. 2 is a front view of the recreational board splash guard;  
FIG. 3 is a rear view of the recreational board splash guard;  
FIG. 4 is a side view of the recreational board splash guard;  
FIG. 5 is a side view of the recreational board splash guard;  
FIG. 6 is a top view of the recreational board splash guard; and,  
FIG. 7 is a bottom view of the recreational board splash guard.

**1 Claim, 7 Drawing Sheets**



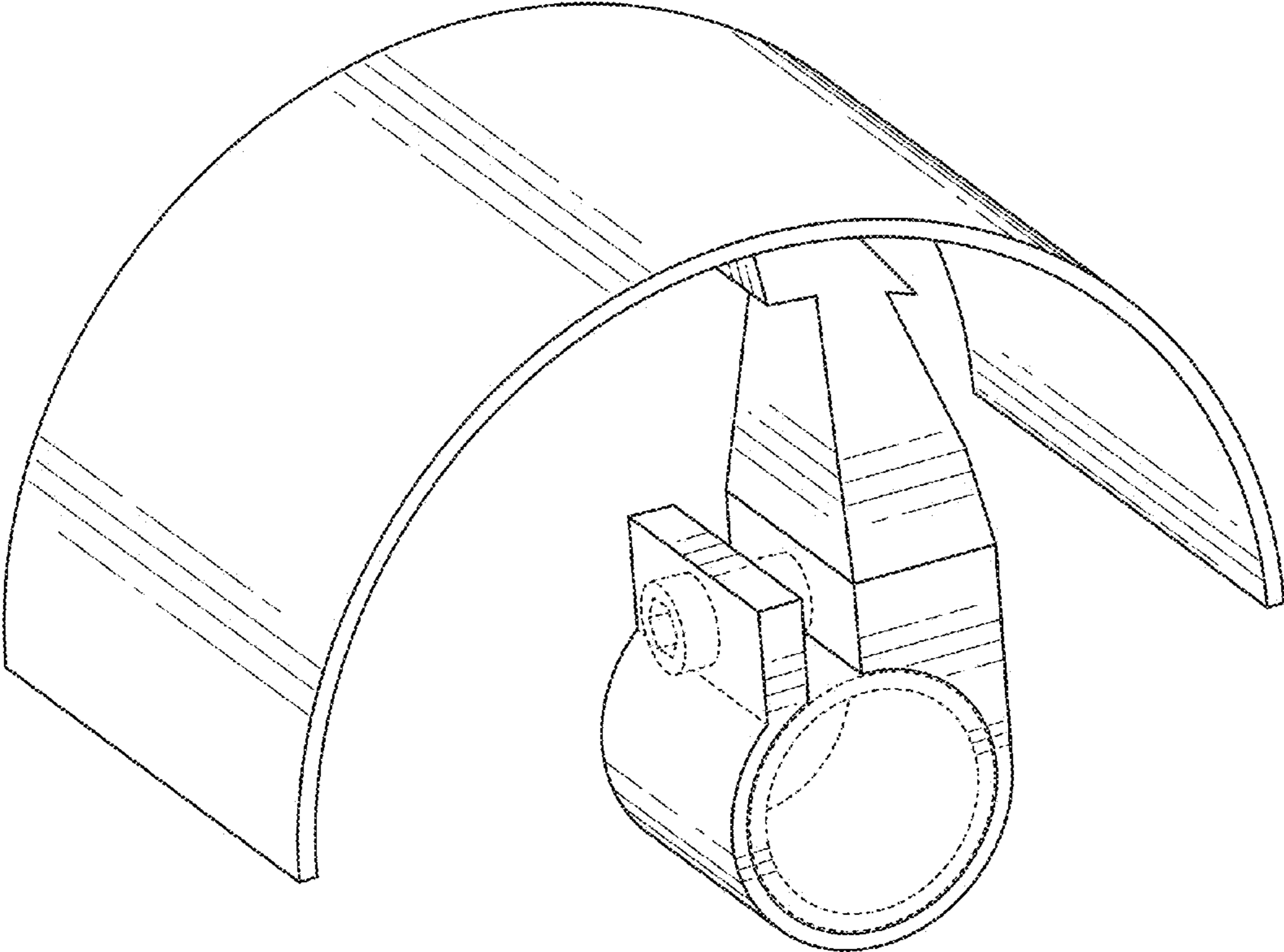


FIG. 1

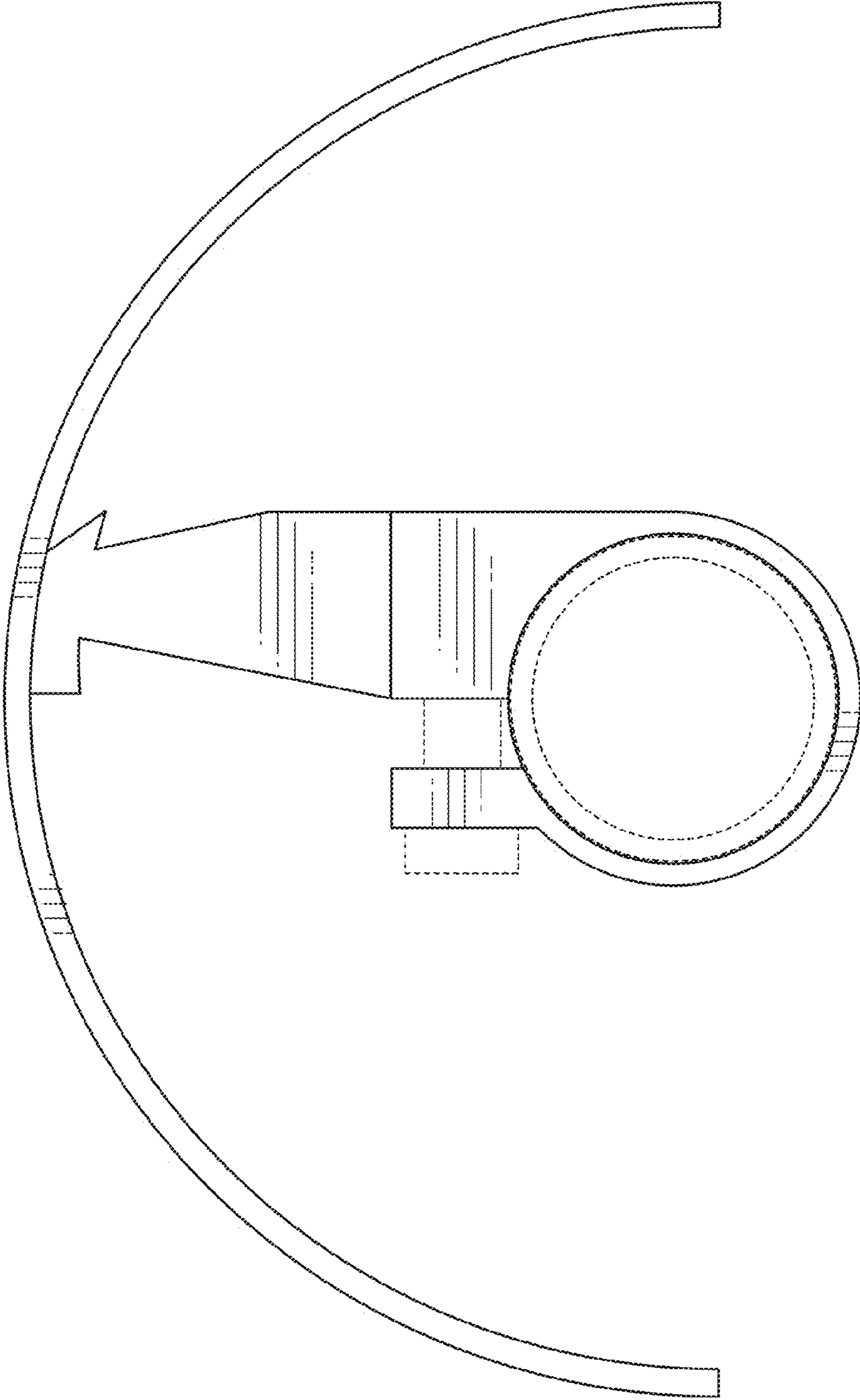


FIG. 2

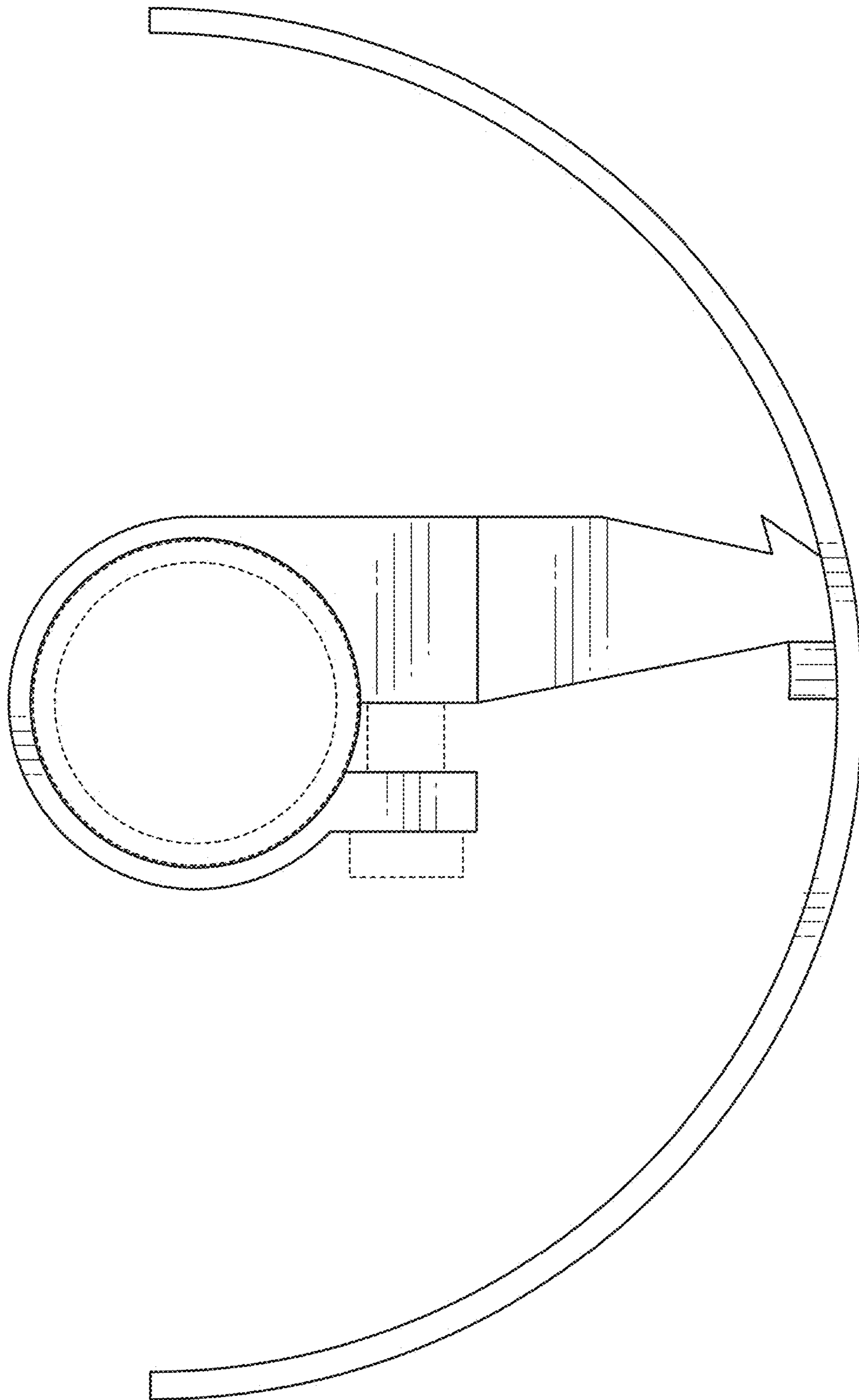


FIG. 3

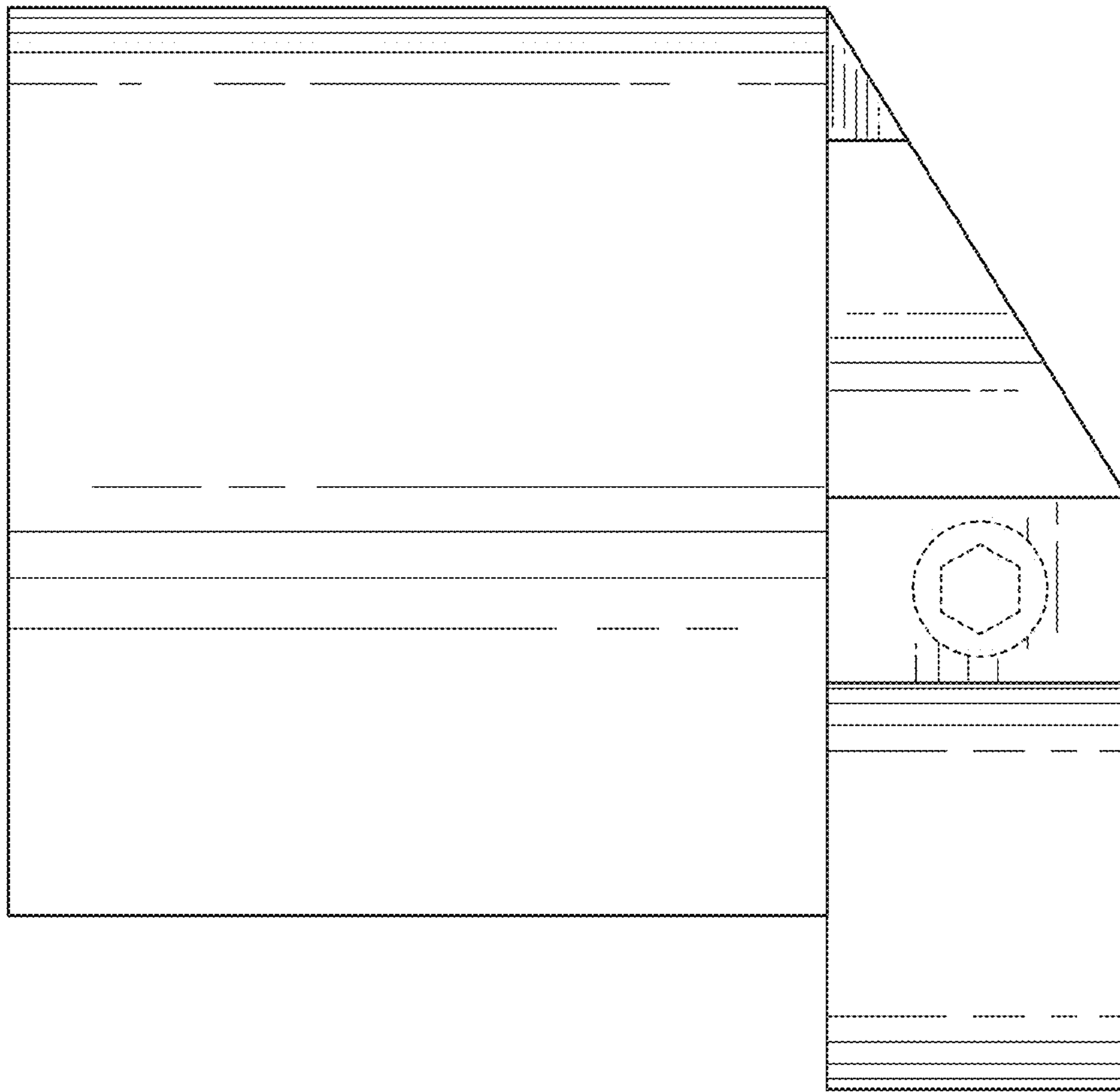


FIG. 4

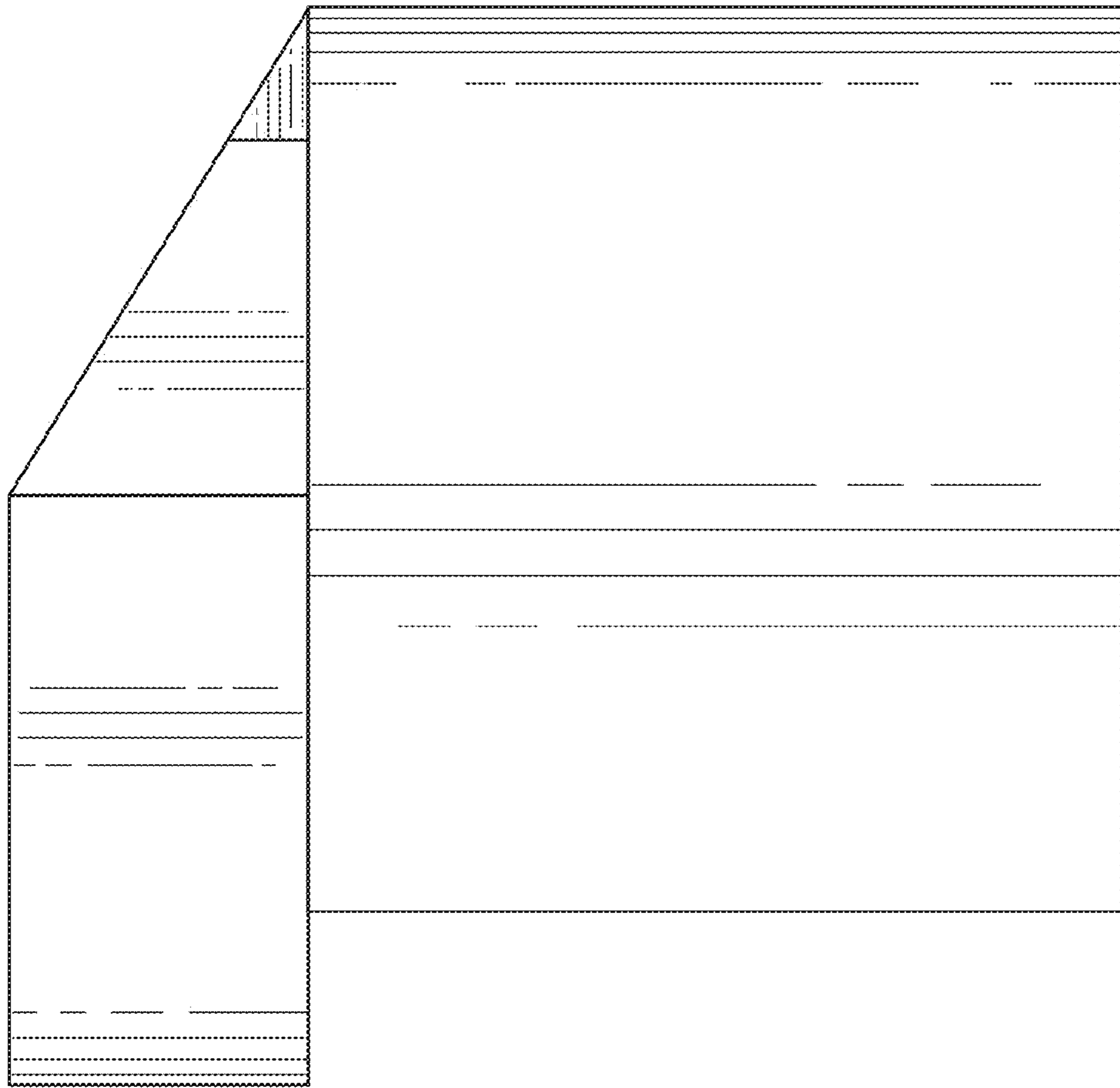


FIG. 5



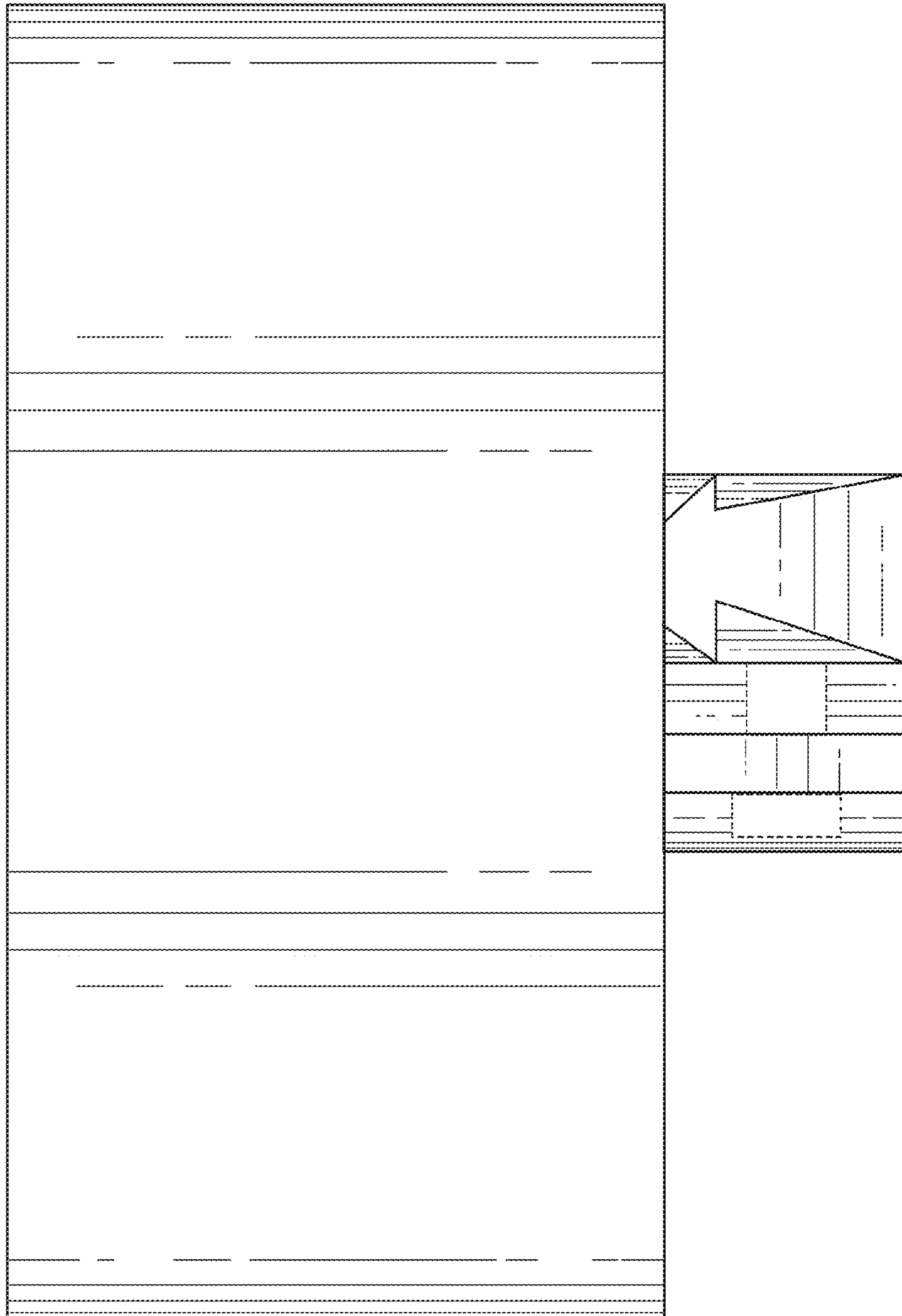


FIG. 6

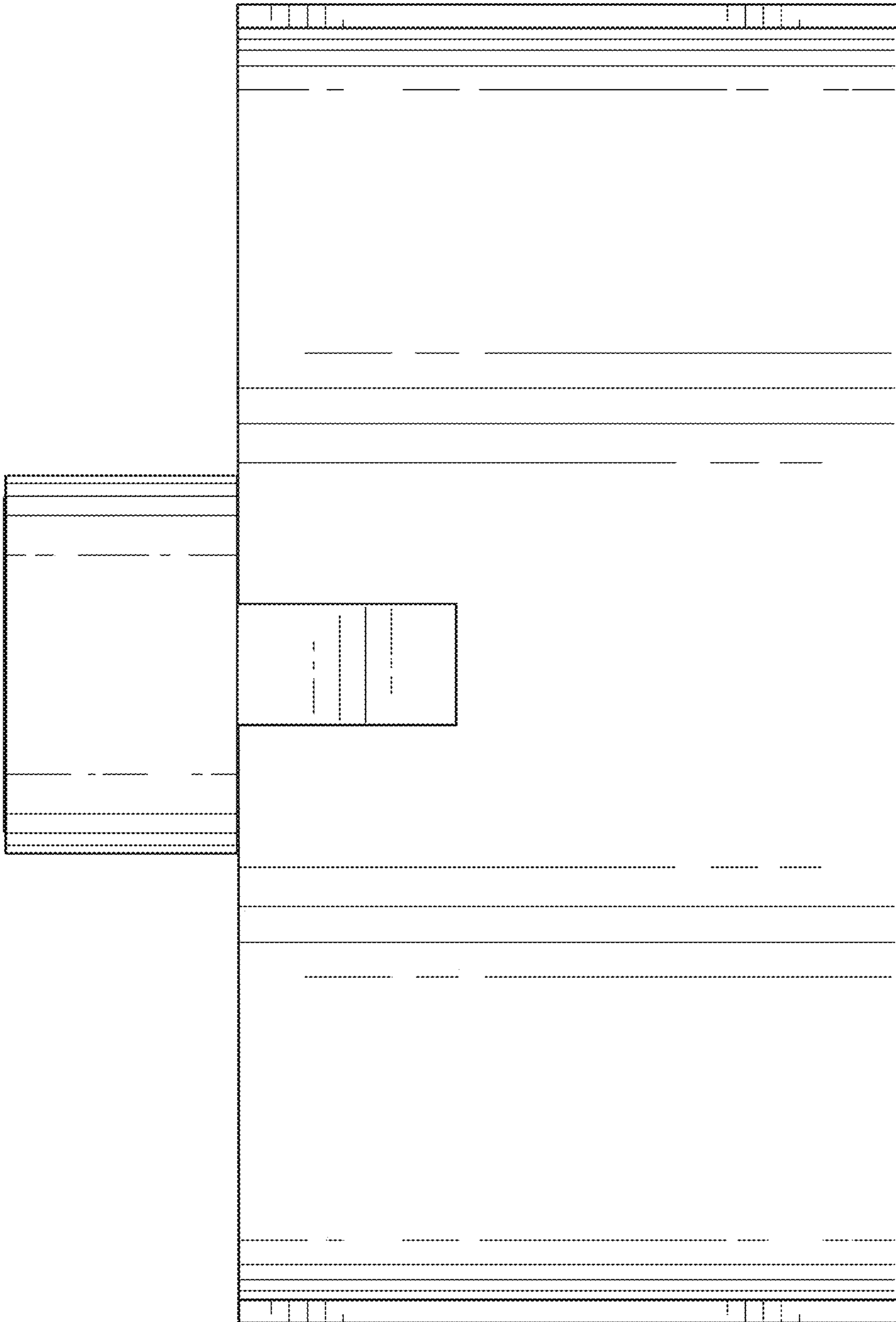


FIG. 7