



US00D736876S

(12) **United States Design Patent**
Rollinson

(10) **Patent No.:** **US D736,876 S**

(45) **Date of Patent:** **** Aug. 18, 2015**

(54) **GOLF CLUB HEAD ALIGNMENT PATTERN**

(71) Applicant: **CALLAWAY GOLF COMPANY,**
Carlsbad, CA (US)

(72) Inventor: **Augustin W. Rollinson,** Carlsbad, CA
(US)

(73) Assignee: **CALLAWAY GOLF COMPANY,**
Carlsbad, CA (US)

(**) Term: **14 Years**

(21) Appl. No.: **29/500,453**

(22) Filed: **Aug. 25, 2014**

(51) **LOC (10) Cl.** **21-02**

(52) **U.S. Cl.**
USPC **D21/759**

(58) **Field of Classification Search**
USPC D21/736-746, 759
CPC ... A63B 53/065; A63B 53/0487; A63B 53/00
See application file for complete search history.

(56) **References Cited**

U.S. PATENT DOCUMENTS

3,841,639	A	*	10/1974	Werner	473/286
D396,083	S	*	7/1998	Sheets	D21/742
D399,911	S	*	10/1998	Nicolette et al.	D21/736
D400,610	S	*	11/1998	Cameron et al.	D21/742
D428,457	S	*	7/2000	Rollinson et al.	D21/743
D429,785	S	*	8/2000	Leysock	D21/742
D565,683	S	*	4/2008	Homma	D21/759
D565,684	S	*	4/2008	Homma	D21/759
D587,328	S	*	2/2009	Sano	D21/759
D600,767	S	*	9/2009	Horacek et al.	D21/759
D635,625	S	*	4/2011	Rollinson	D21/743
D667,068	S	*	9/2012	Loudenslager	D21/759

D691,681	S	*	10/2013	Hilton et al.	D21/736
D720,024	S	*	12/2014	Rollinson	D21/736
D720,411	S	*	12/2014	Rollinson	D21/743
D720,412	S	*	12/2014	Rollinson	D21/743
2006/0223646	A1	*	10/2006	Rife	473/251

* cited by examiner

Primary Examiner — Mitchell Siegel

(74) *Attorney, Agent, or Firm* — Rebecca Hanovice;
Michael A. Catania; Sonia Lari

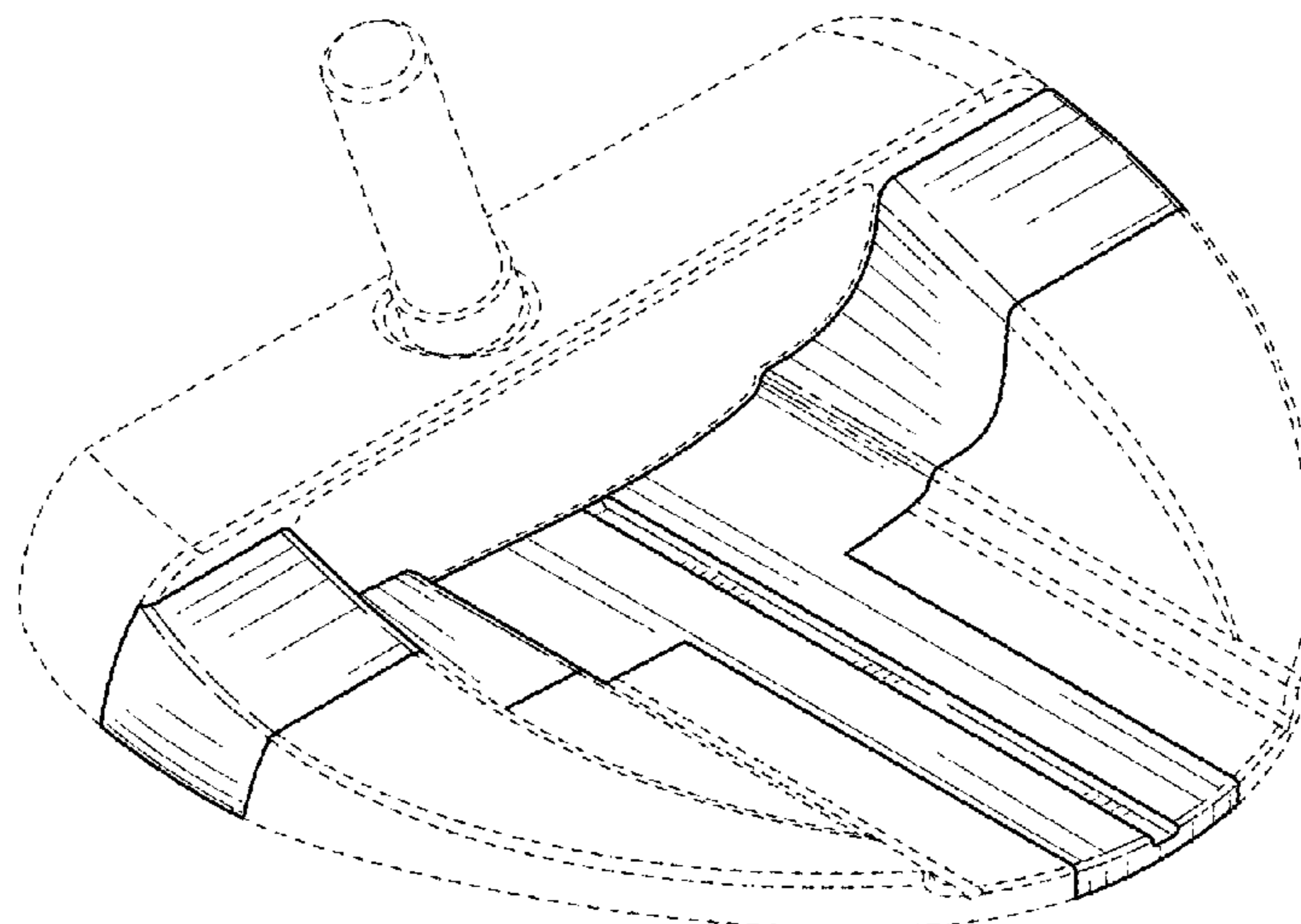
(57) **CLAIM**

The ornamental design for a golf club head alignment pattern,
as shown and described.

DESCRIPTION

FIG. 1 is a rear perspective view of a first embodiment of the golf club head alignment pattern herein;
 FIG. 2 is a rear view thereof;
 FIG. 3 is a front view thereof;
 FIG. 4 is a right side view thereof;
 FIG. 5 is a left side view thereof;
 FIG. 6 is a top plan view thereof;
 FIG. 7 is a bottom plan view thereof;
 FIG. 8 is a top plan view of a second embodiment of the golf club head alignment pattern herein;
 FIG. 9 is a top plan view of a third embodiment of the golf club head alignment pattern herein;
 FIG. 10 is a top plan view of a fourth embodiment of the golf club head alignment pattern herein; and,
 FIG. 11 is a top plan view of a fifth embodiment of the golf club head alignment pattern herein.
 The broken lines in the drawings illustrate unclaimed features of the golf club head alignment pattern.

1 Claim, 6 Drawing Sheets



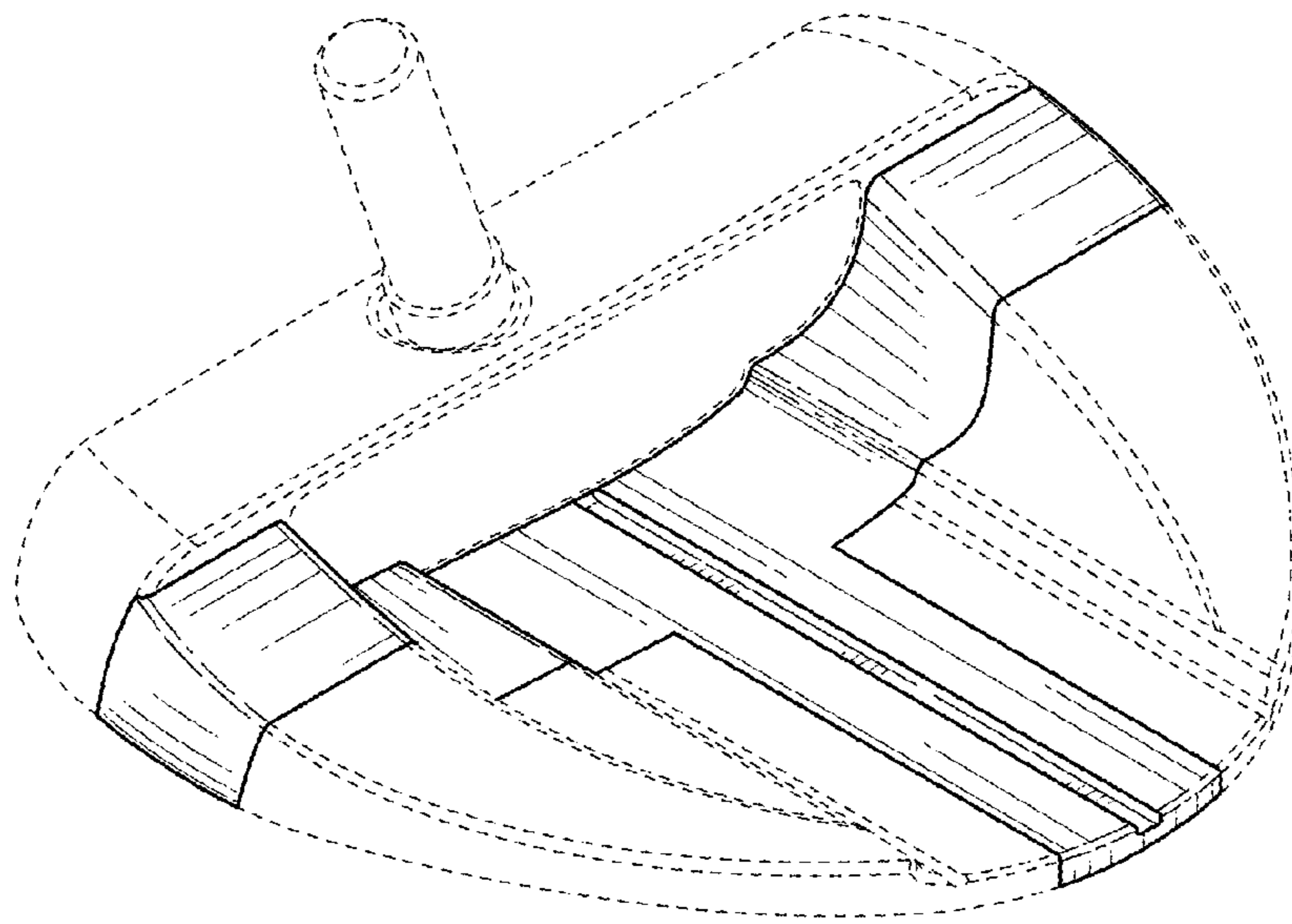


FIG. 1

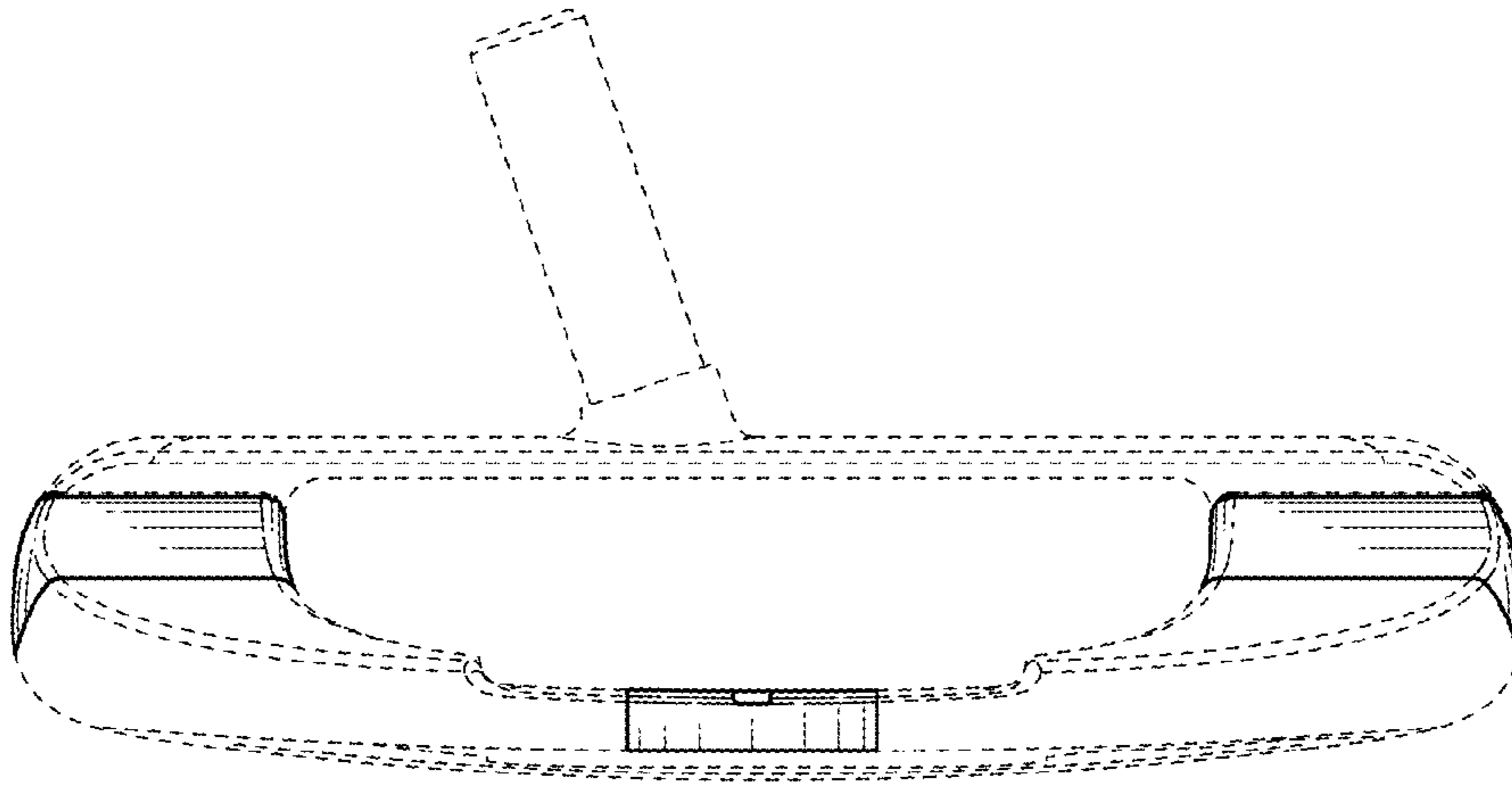


FIG. 2

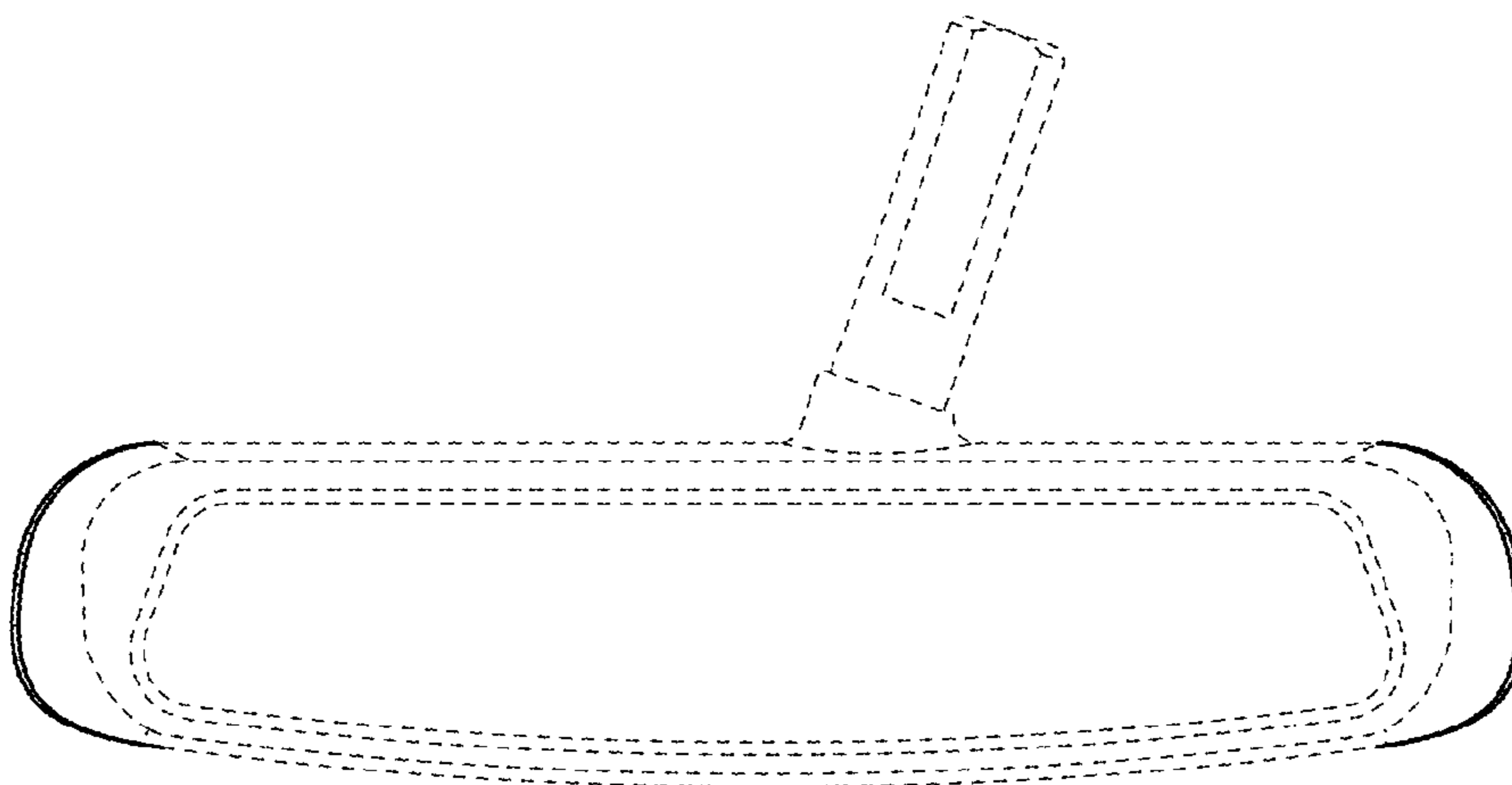


FIG. 3

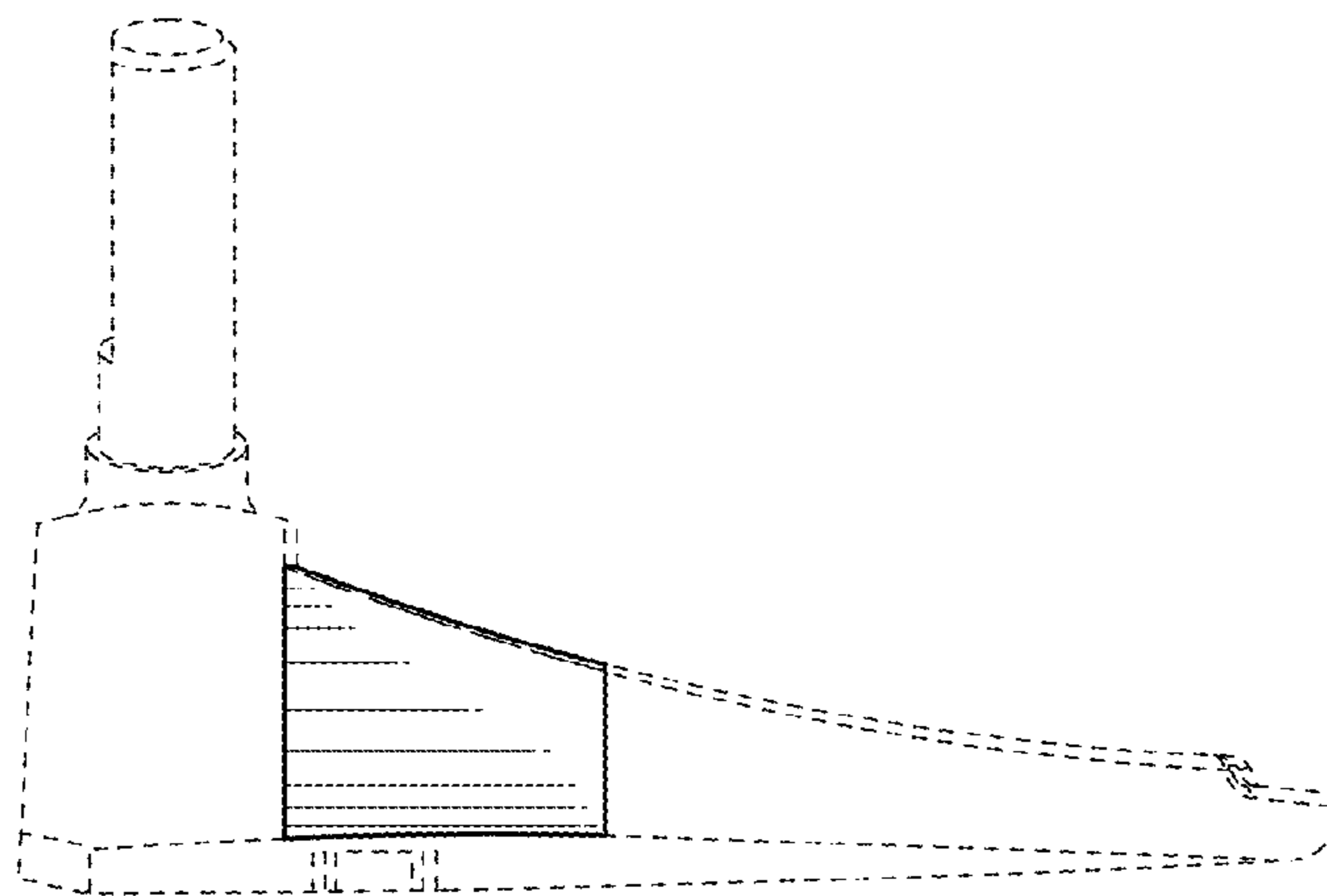


FIG. 4

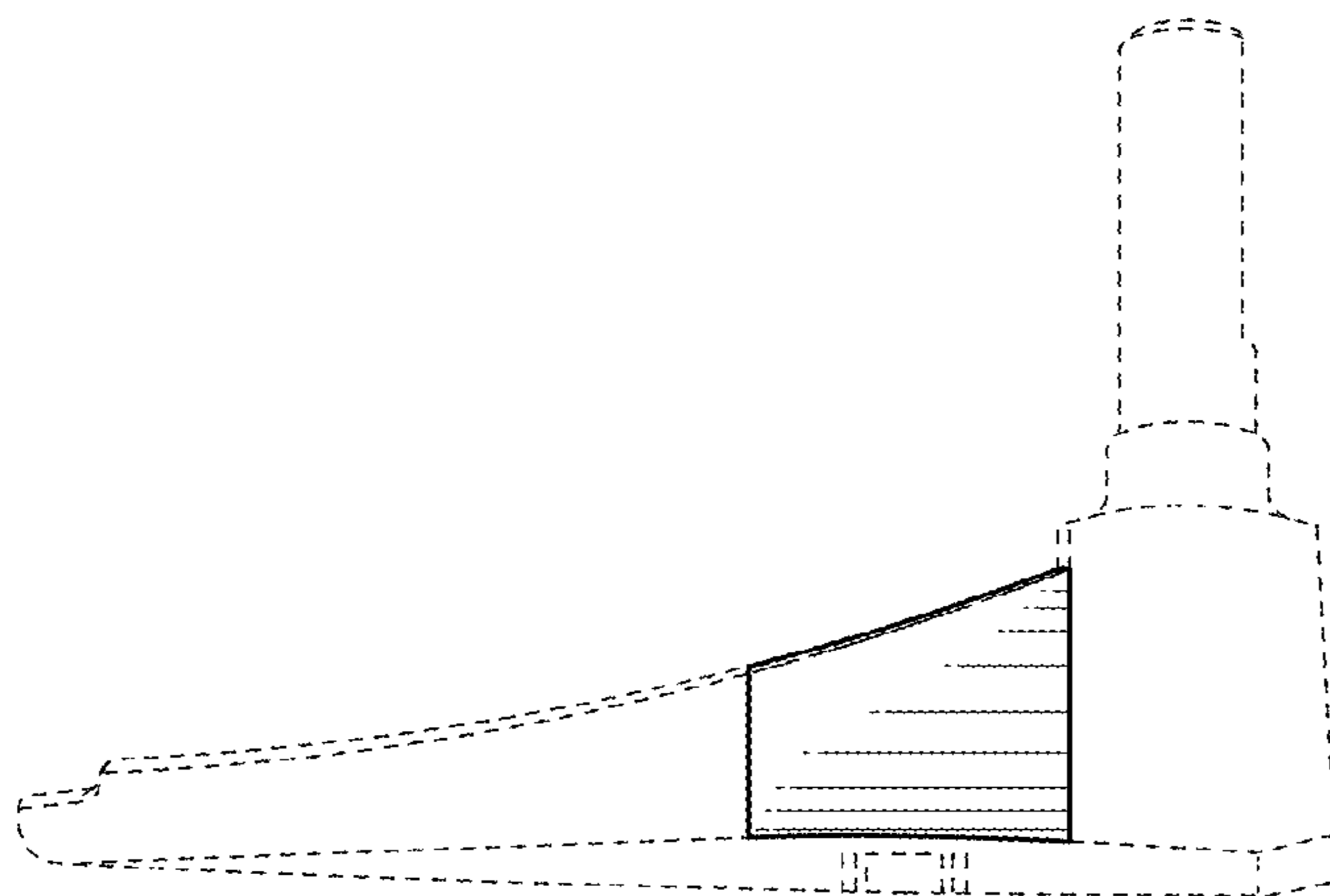


FIG. 5

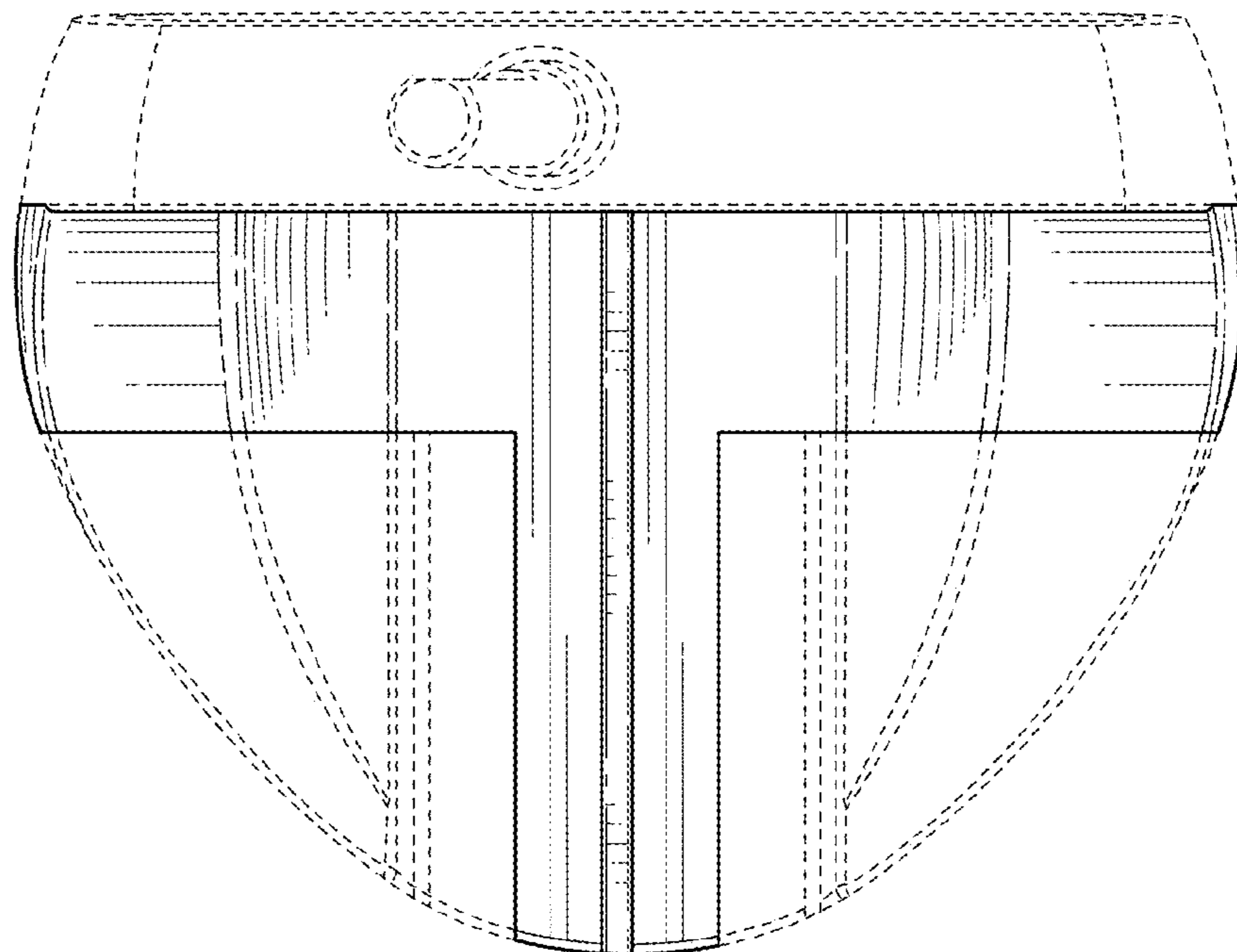


FIG. 6

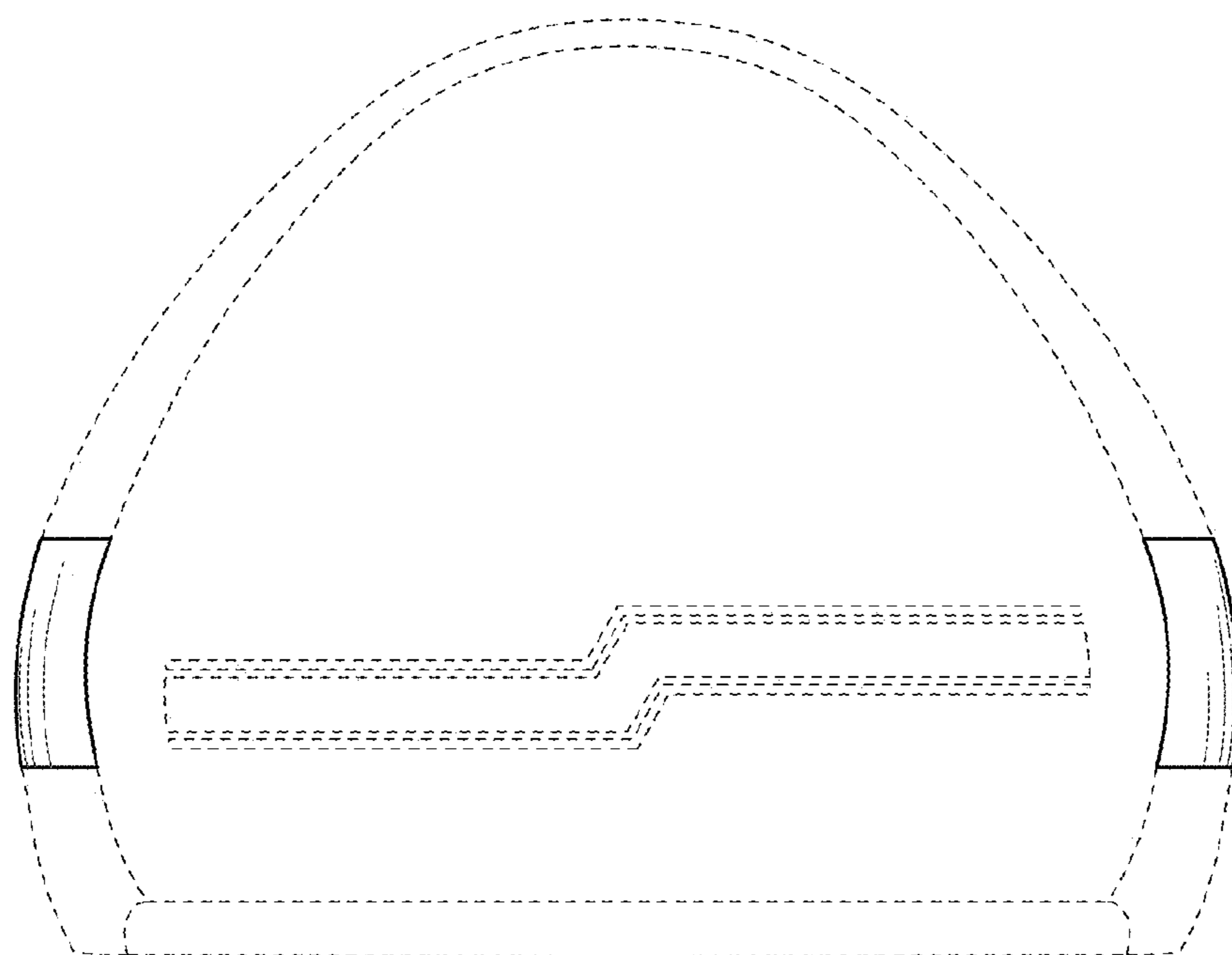


FIG. 7

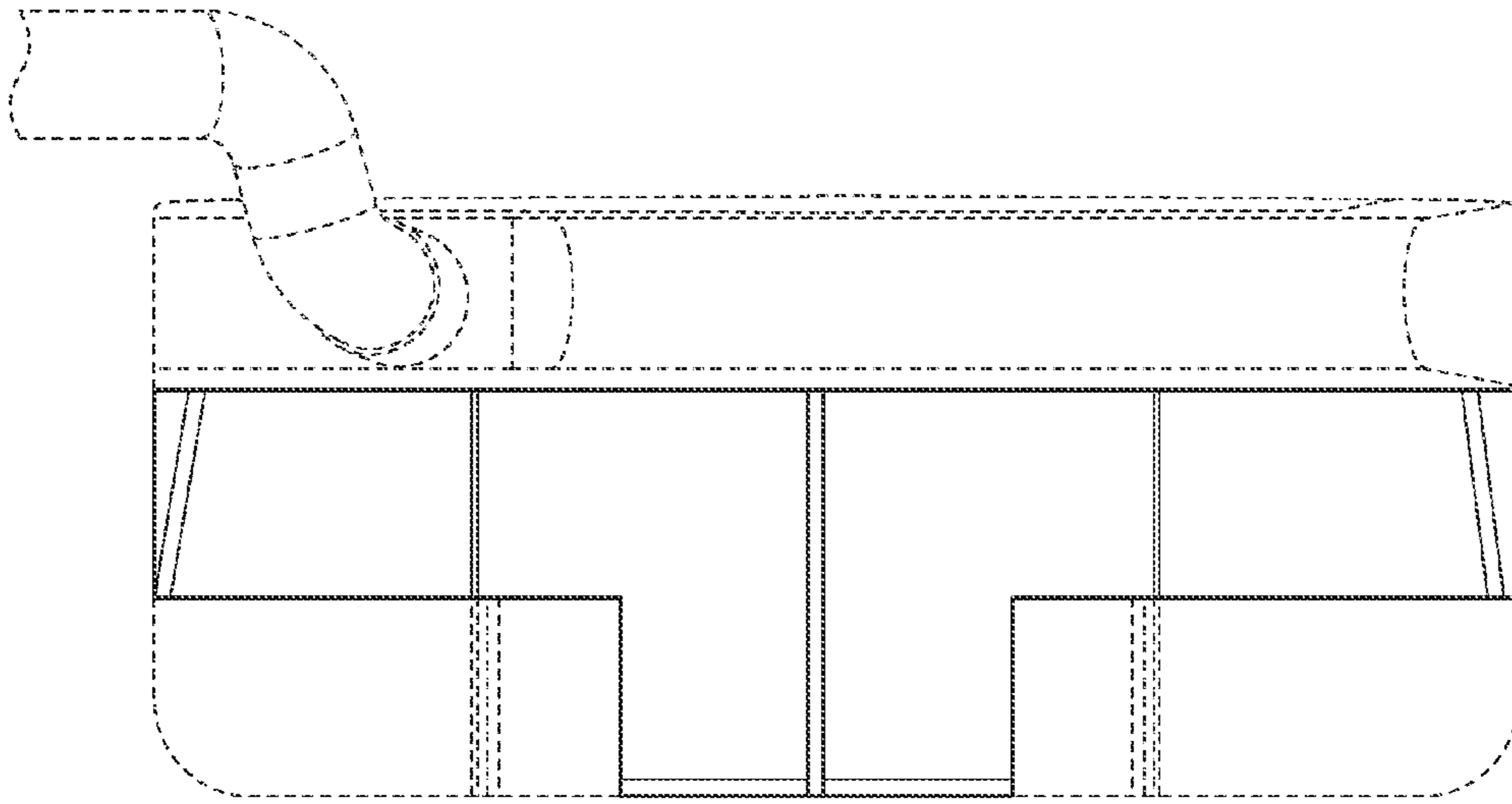


FIG. 8

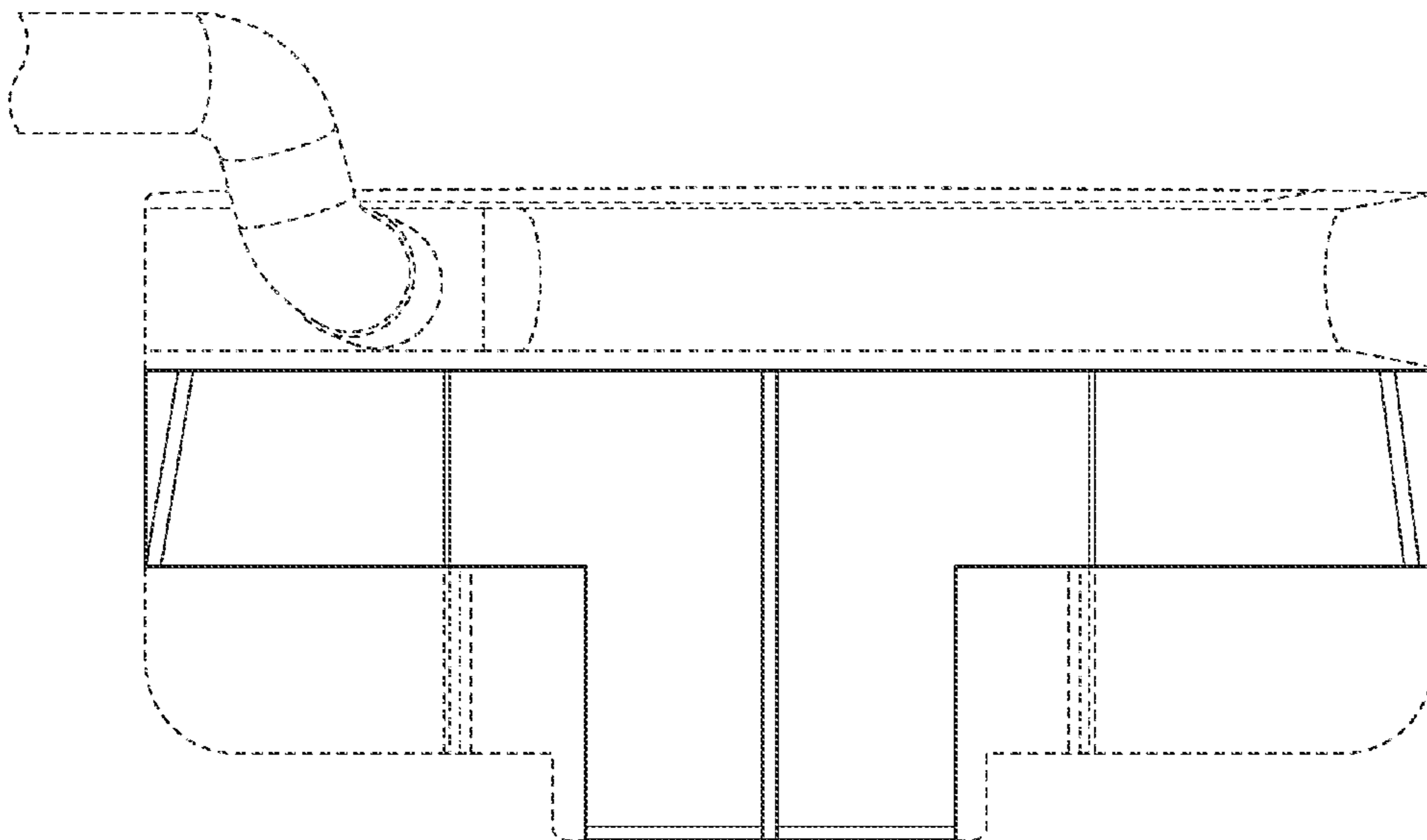


FIG. 9

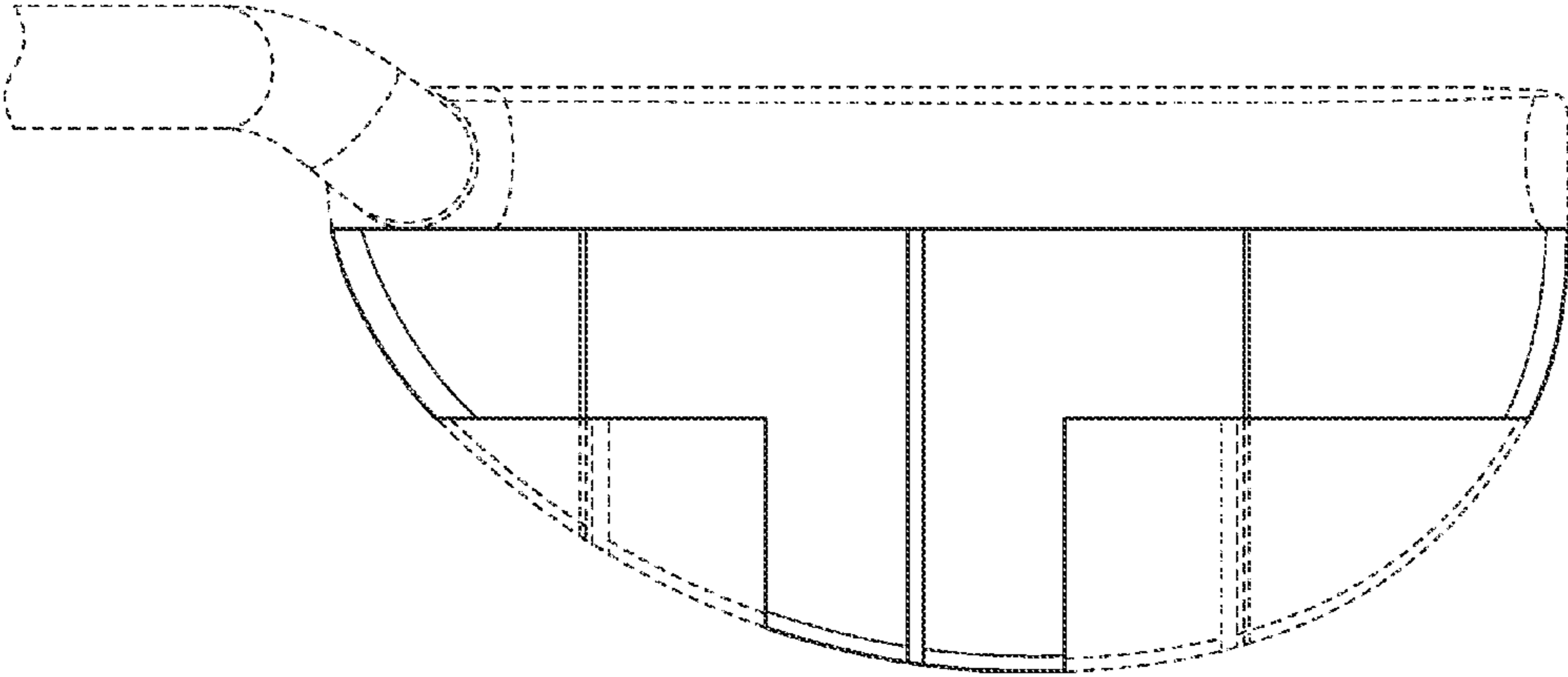


FIG. 10

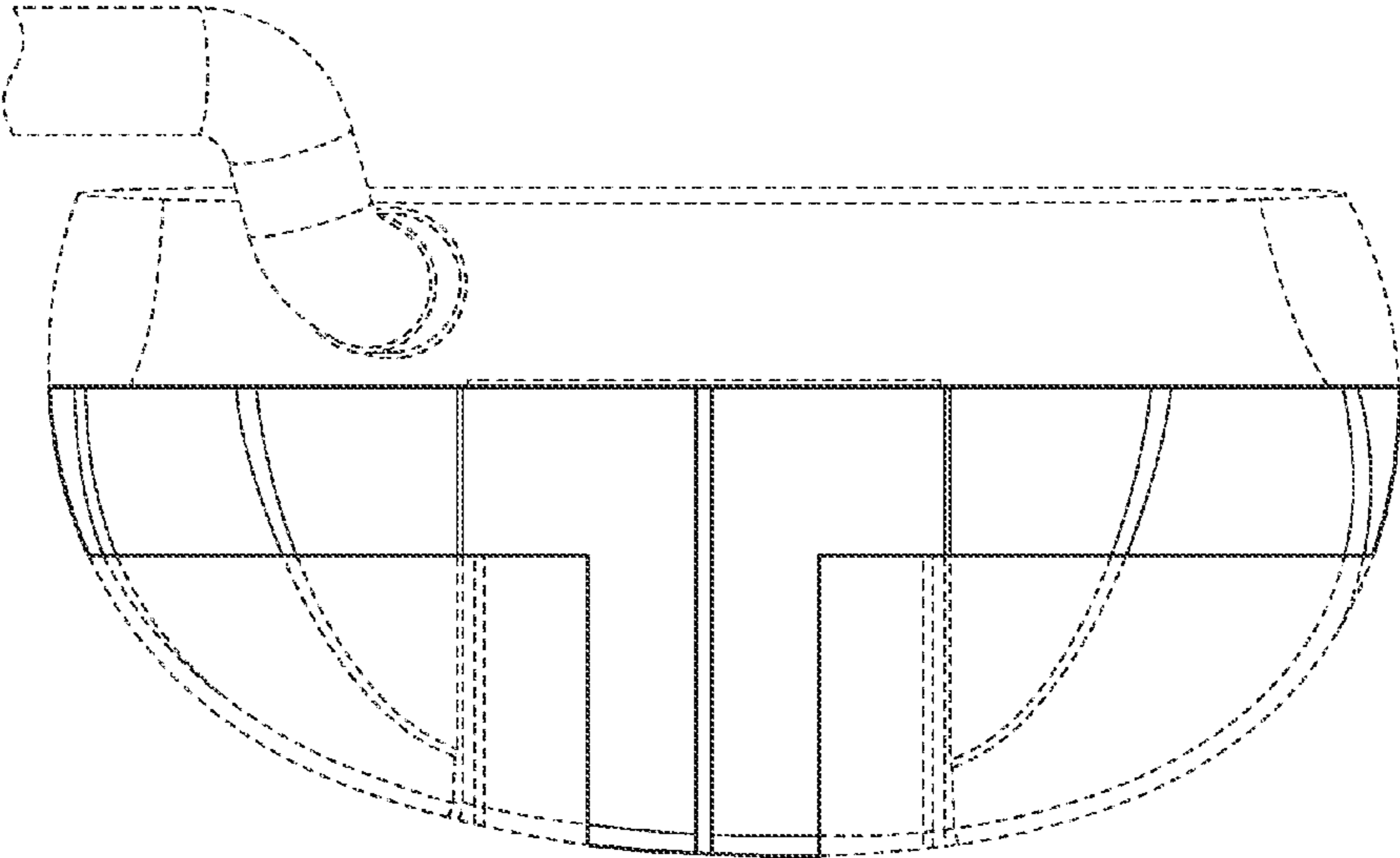


FIG. 11