



US00D736875S

(12) **United States Design Patent**
Llewellyn et al.

(10) **Patent No.:** **US D736,875 S**

(45) **Date of Patent:** **** Aug. 18, 2015**

(54) **IRON-TYPE GOLF CLUB HEAD**
(71) Applicant: **Mizuno USA, Inc.**, Norcross, GA (US)
(72) Inventors: **David Llewellyn**, Duluth, GA (US);
Kazuhiro Doi, Osaka (JP); **Kazuhiko Natori**, Osaka (JP)
(73) Assignee: **Mizuno USA, Inc.**, Norcross, GA (US)

(**) Term: **14 Years**

(21) Appl. No.: **29/497,130**

(22) Filed: **Jul. 21, 2014**

(51) **LOC (10) Cl.** **21-02**

(52) **U.S. Cl.**
USPC **D21/759**

(58) **Field of Classification Search**
USPC D21/747-751, 759
CPC A63B 53/00; A63B 53/04; A63B 53/047;
A63B 53/075
See application file for complete search history.

(56) **References Cited**

U.S. PATENT DOCUMENTS

| | | | | |
|----------------|---------|------------------|-------|---------|
| D348,091 S * | 6/1994 | Allen | | D21/749 |
| D359,539 S * | 6/1995 | Allen | | D21/749 |
| D359,781 S * | 6/1995 | Allen | | D21/749 |
| D359,783 S * | 6/1995 | Allen | | D21/749 |
| D505,466 S * | 5/2005 | Lang et al. | | D21/749 |
| 6,887,164 B2 * | 5/2005 | Dewanjee et al. | | 473/342 |
| D510,115 S * | 9/2005 | Lang et al. | | D21/749 |
| D518,539 S * | 4/2006 | Cleveland et al. | | D21/748 |
| D539,863 S * | 4/2007 | Nunez et al. | | D21/748 |
| D553,704 S * | 10/2007 | Nunez et al. | | D21/759 |
| 7,338,387 B2 * | 3/2008 | Nycum et al. | | 473/332 |
| 7,399,238 B2 * | 7/2008 | Hocknell et al. | | 473/342 |

| | | | | |
|--------------|---------|----------------|-------|---------|
| D597,616 S * | 8/2009 | Ines et al. | | D21/747 |
| D598,060 S * | 8/2009 | Barez et al. | | D21/747 |
| D598,061 S * | 8/2009 | Barez et al. | | D21/747 |
| D622,336 S * | 8/2010 | Kohno | | D21/747 |
| D684,227 S * | 6/2013 | Roach et al. | | D21/749 |
| D684,228 S * | 6/2013 | Breier et al. | | D21/749 |
| D720,415 S * | 12/2014 | Delvac et al. | | D21/759 |
| D720,416 S * | 12/2014 | Delvac et al. | | D21/759 |
| D725,732 S * | 3/2015 | Westrum et al. | | D21/759 |

* cited by examiner

Primary Examiner — Mitchell Siegel

(74) *Attorney, Agent, or Firm* — Troutman Sanders LLP;
James E. Schutz; Daniel T. Sharpe

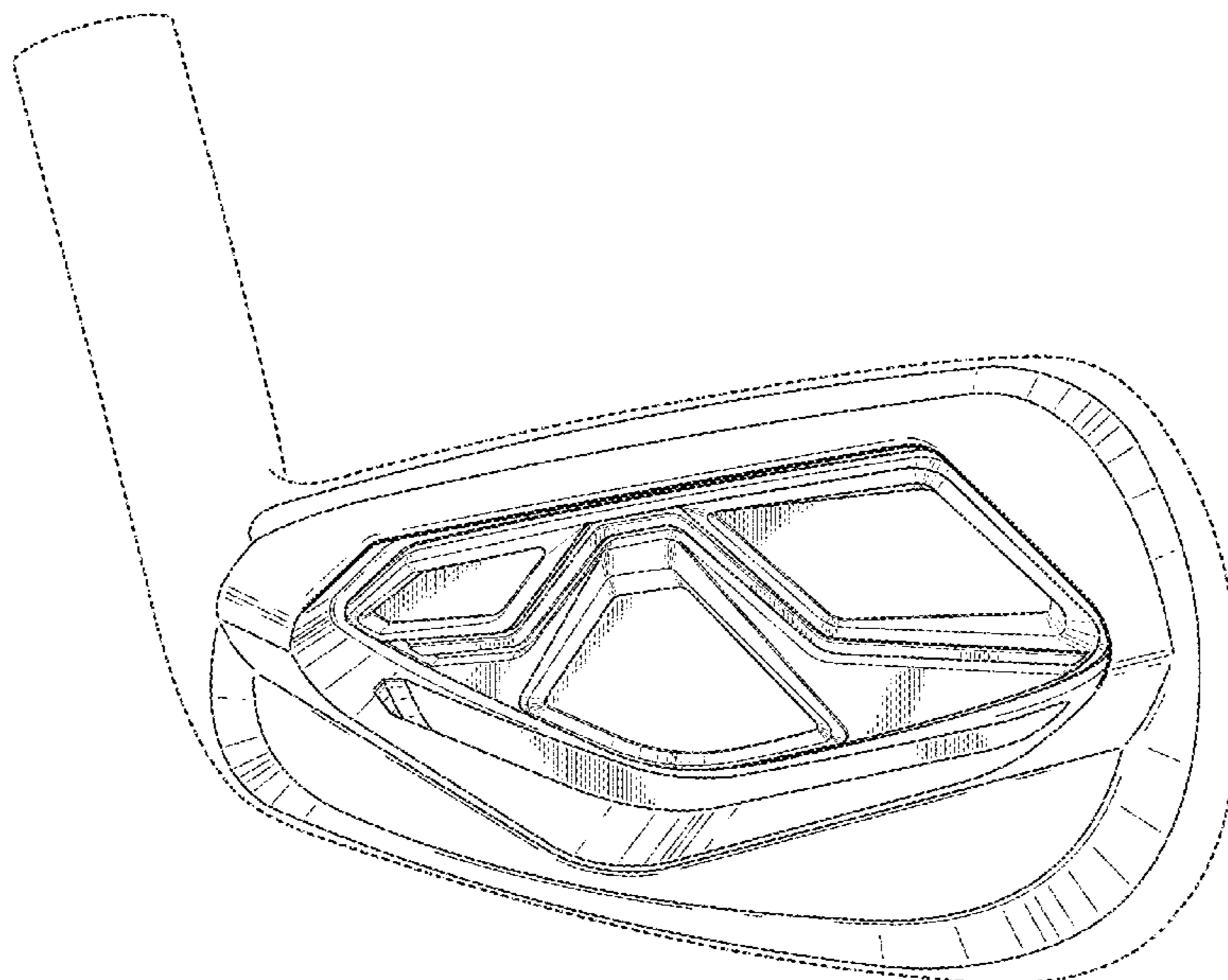
(57) **CLAIM**

The ornamental design for an iron-type golf club head, as shown and described.

DESCRIPTION

FIG. 1 illustrates a rear perspective view of an iron-type golf club head;
FIG. 2 illustrates a left view of an iron-type golf club head;
FIG. 3 illustrates a right view of an iron-type golf club head;
FIG. 4 illustrates a rear, bottom perspective view of an iron-type golf club head;
FIG. 5 illustrates a front view of an iron-type golf club head;
FIG. 6 illustrates a top view of an iron-type golf club head;
and,
FIG. 7 illustrates a bottom view of an iron-type golf club head.
The broken, dashed lines shown in the various figures depicting embodiments of the invention are included for the purpose of illustrating environment and do not form any part of the claimed design.

1 Claim, 4 Drawing Sheets



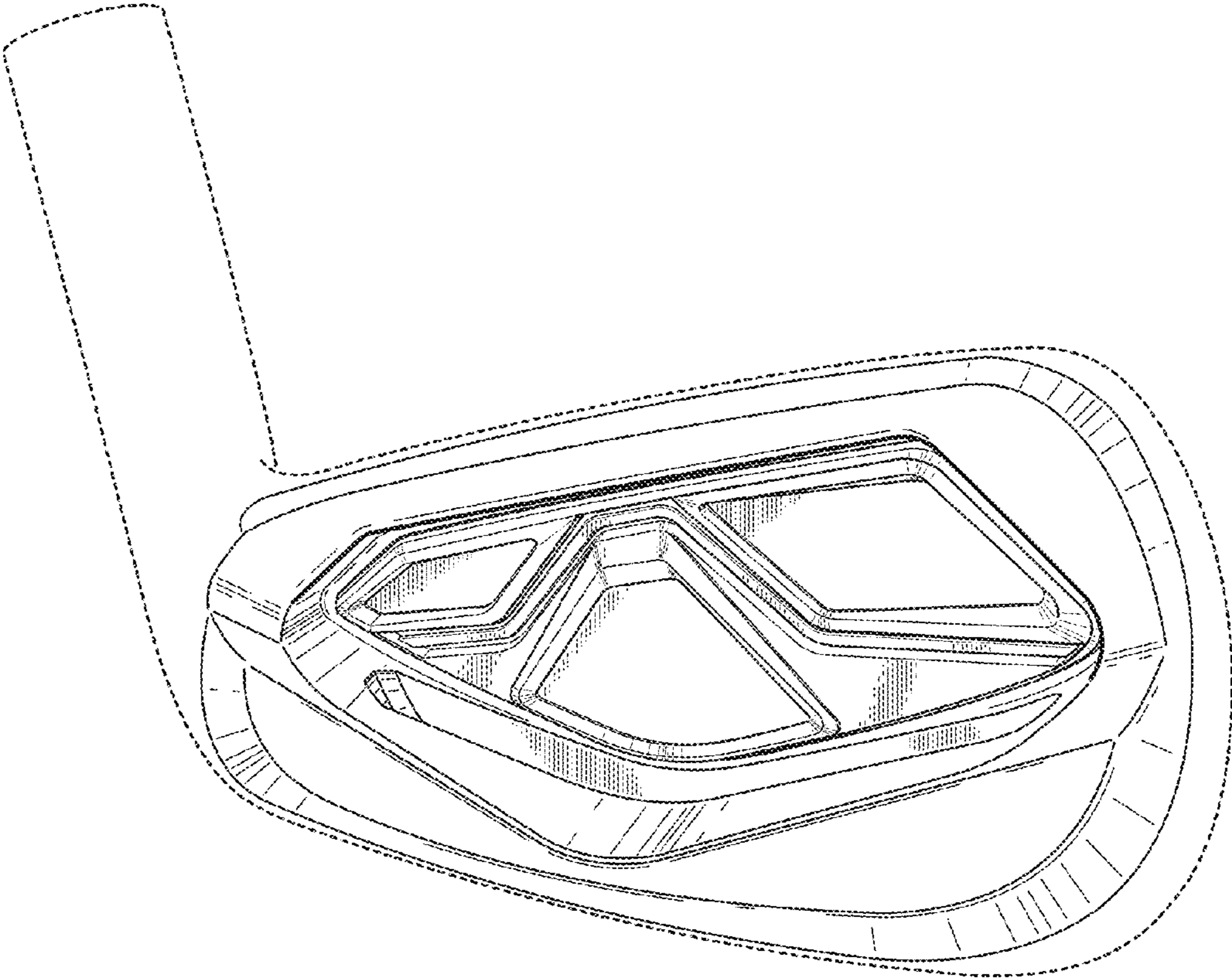


FIG. 1

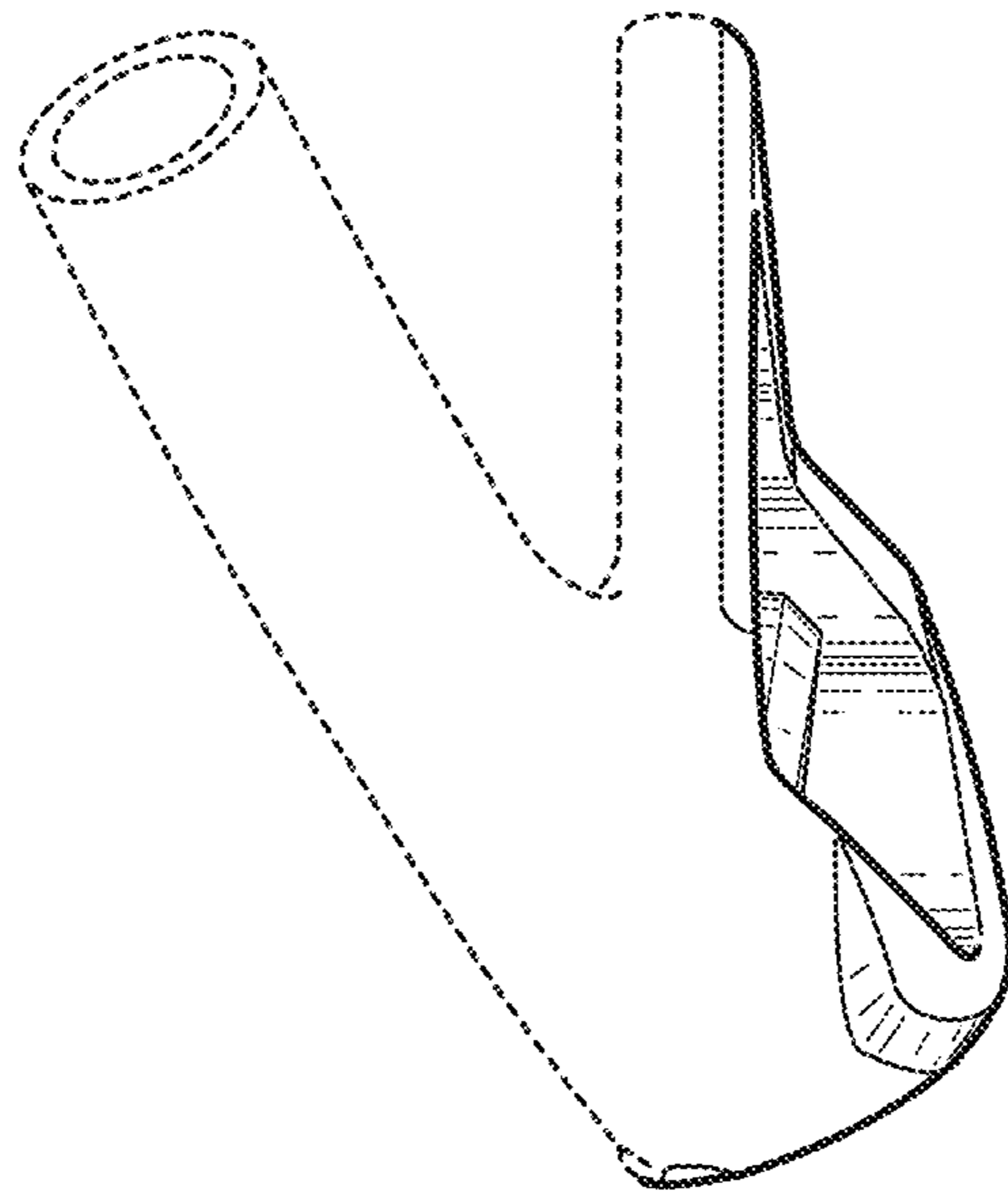


FIG. 2

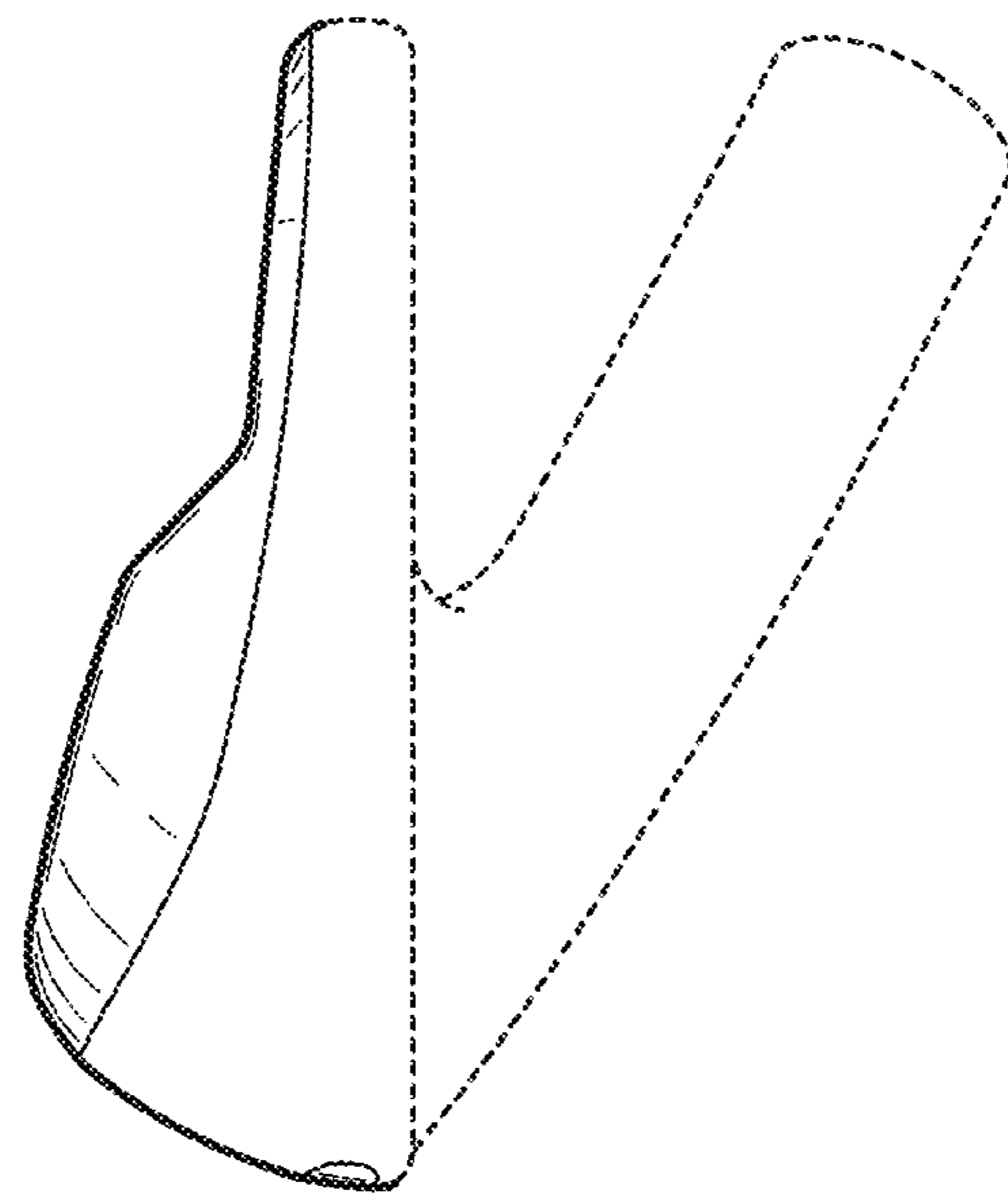


FIG. 3

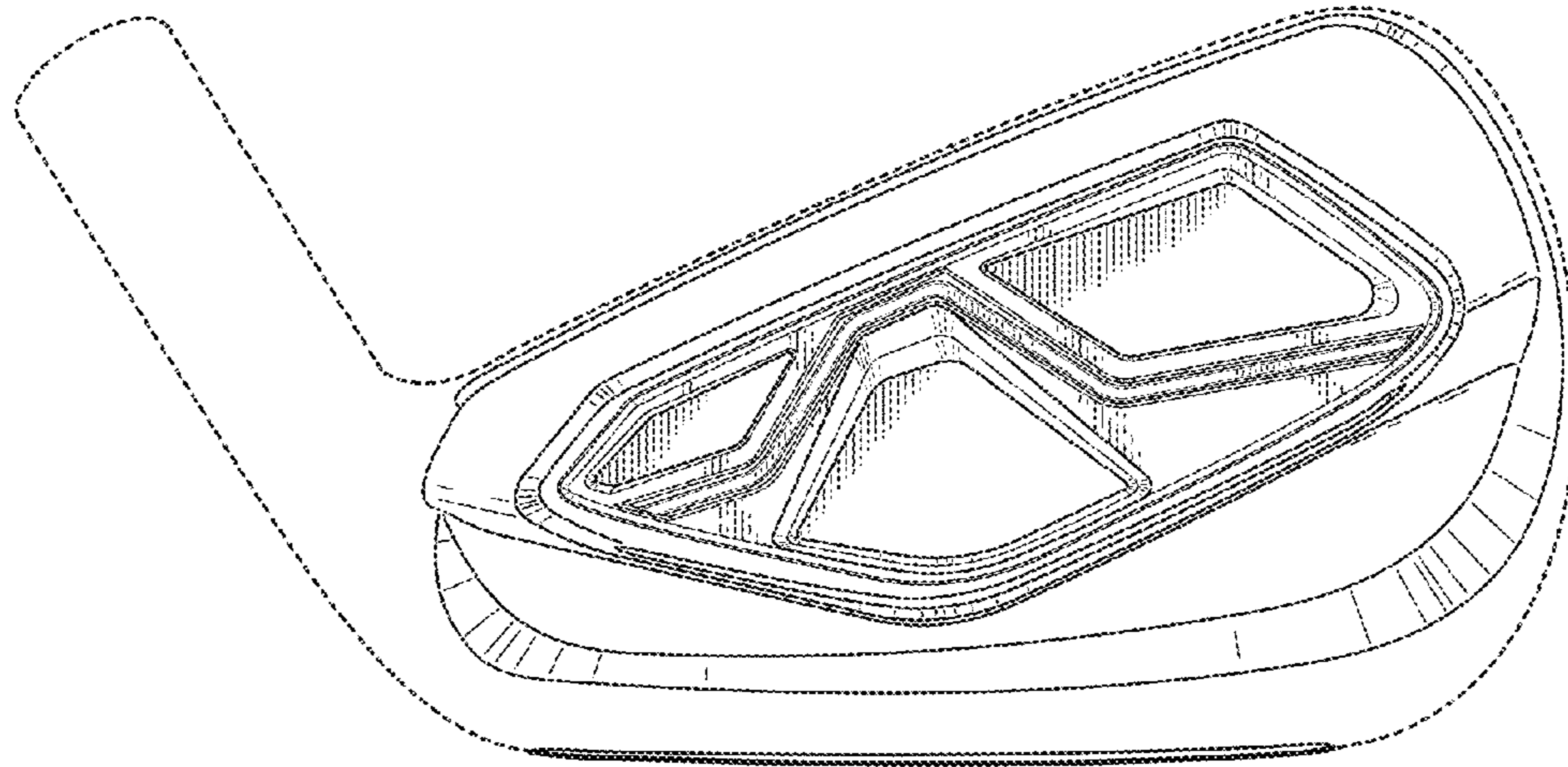


FIG. 4

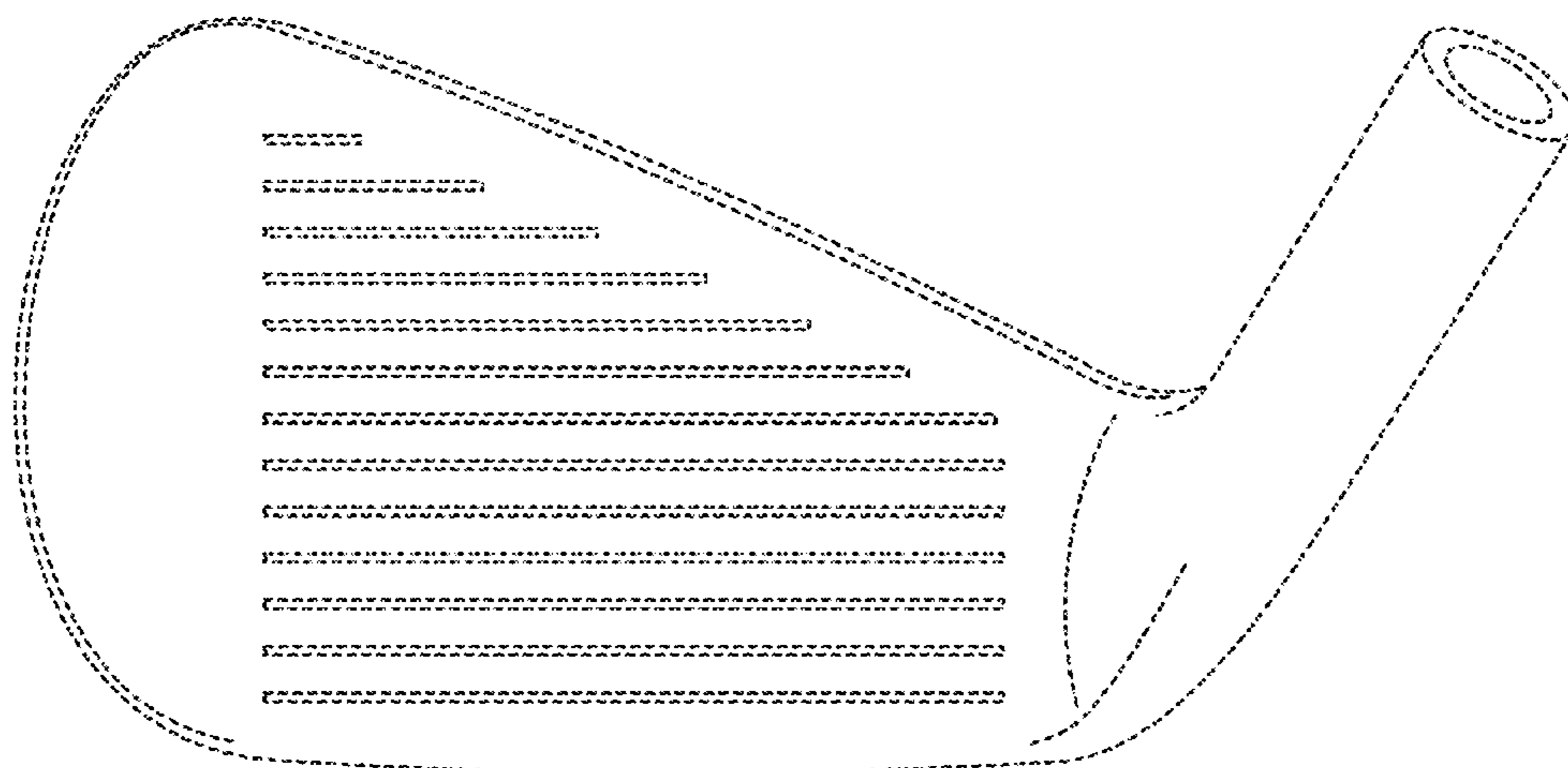


FIG. 5

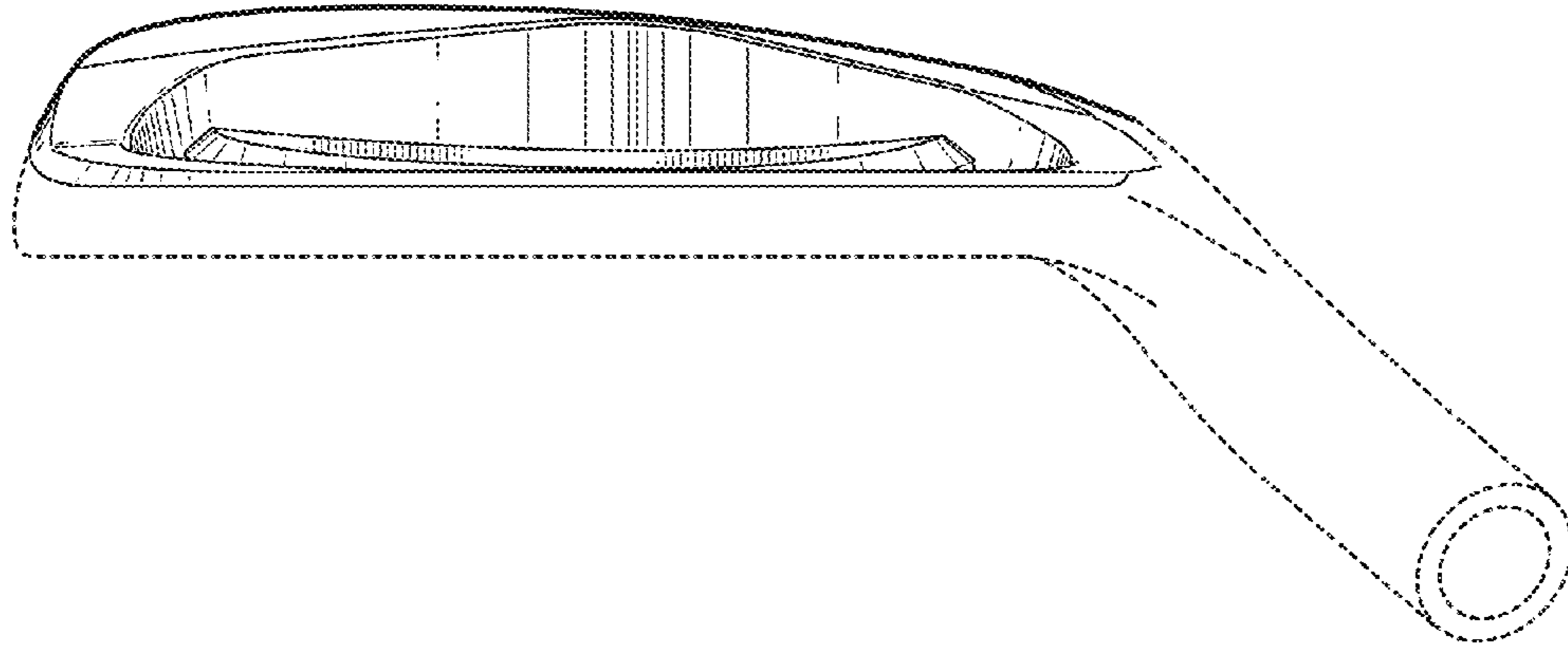


FIG. 6

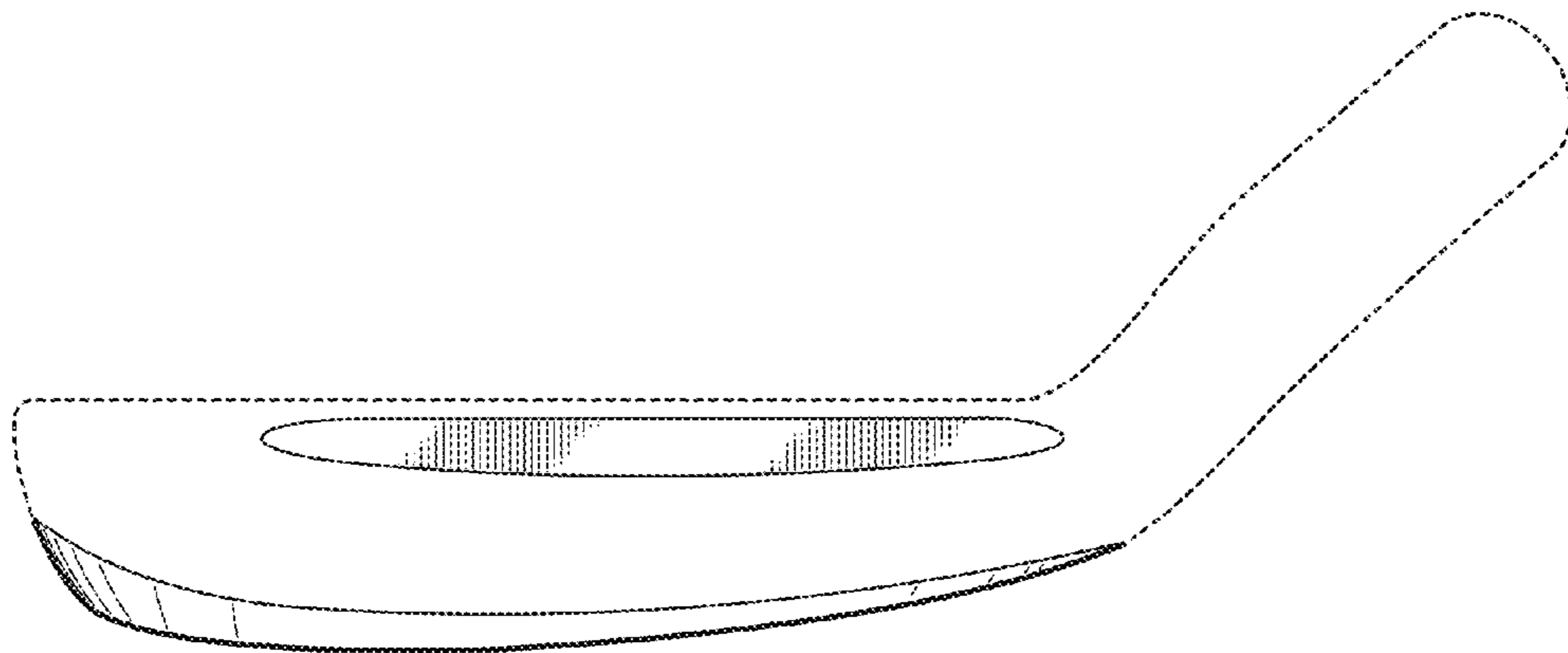


FIG. 7