



US00D736873S

(12) **United States Design Patent**
Voshall et al.

(10) **Patent No.:** **US D736,873 S**
(45) **Date of Patent:** **** Aug. 18, 2015**

- (54) **IRON-TYPE GOLF CLUB HEAD**
- (71) Applicant: **Mizuno USA, Inc.**, Norcross, GA (US)
- (72) Inventors: **Chris Voshall**, Atlanta, GA (US);
Kazuhiro Doi, Osaka (JP); **Tsugunobu Sakamoto**, Osaka (JP)
- (73) Assignee: **Mizuno USA, Inc.**, Norcross, GA (US)
- (**) Term: **14 Years**
- (21) Appl. No.: **29/497,100**
- (22) Filed: **Jul. 21, 2014**
- (51) **LOC (10) Cl.** **21-02**
- (52) **U.S. Cl.**
USPC **D21/759**
- (58) **Field of Classification Search**
USPC D21/747-751, 759
CPC A63B 53/00; A63B 53/04; A63B 53/047;
A63B 53/075
See application file for complete search history.

- D645,103 S * 9/2011 Llewellyn et al. D21/759
- D647,986 S * 11/2011 Atwell et al. D21/747
- D675,690 S * 2/2013 Breier et al. D21/747
- D682,960 S * 5/2013 Voshall et al. D21/747
- D715,881 S * 10/2014 Roche et al. D21/759
- D720,026 S * 12/2014 Llewellyn et al. D21/759
- D720,027 S * 12/2014 Voshall et al. D21/759

* cited by examiner

Primary Examiner — Mitchell Siegel

(74) *Attorney, Agent, or Firm* — Troutman Sanders LLP;
James E. Schutz; Daniel T. Sharpe

(57) **CLAIM**

The ornamental design for an iron-type golf club head, as shown and described.

DESCRIPTION

FIG. 1 illustrates a rear perspective view of an iron-type golf club head;
 FIG. 2 illustrates a left view of an iron-type golf club head;
 FIG. 3 illustrates a right view of an iron-type golf club head;
 FIG. 4 illustrates a rear, bottom perspective view of an iron-type golf club head;
 FIG. 5 illustrates a front view of an iron-type golf club head;
 FIG. 6 illustrates a top view of an iron-type golf club head;
 and,
 FIG. 7 illustrates a bottom view of an iron-type golf club head.

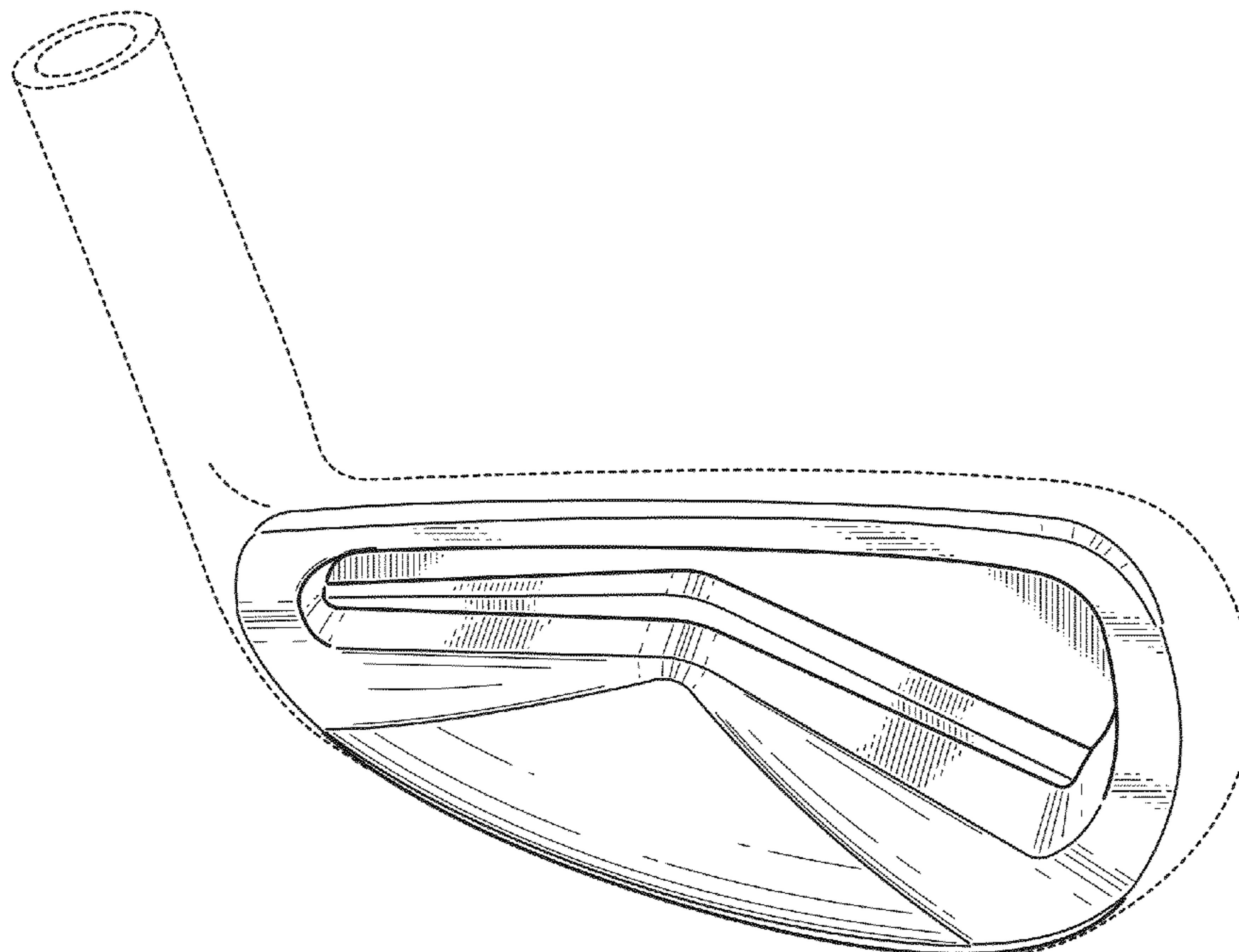
The broken, dashed lines shown in the various figures depicting embodiments of the invention are included for the purpose of illustrating environment and do not form any part of the claimed design.

1 Claim, 4 Drawing Sheets

(56) **References Cited**

U.S. PATENT DOCUMENTS

- D353,644 S * 12/1994 Hirsch et al. D21/748
- D394,290 S * 5/1998 Best et al. D21/748
- D401,637 S * 11/1998 Best et al. D21/747
- D469,140 S * 1/2003 Best D21/759
- D475,107 S * 5/2003 Madore D21/759
- D475,108 S * 5/2003 Madore D21/759
- D487,127 S * 2/2004 Madore D21/759
- D516,649 S * 3/2006 Imamoto D21/747
- D517,629 S * 3/2006 Madore et al. D21/759



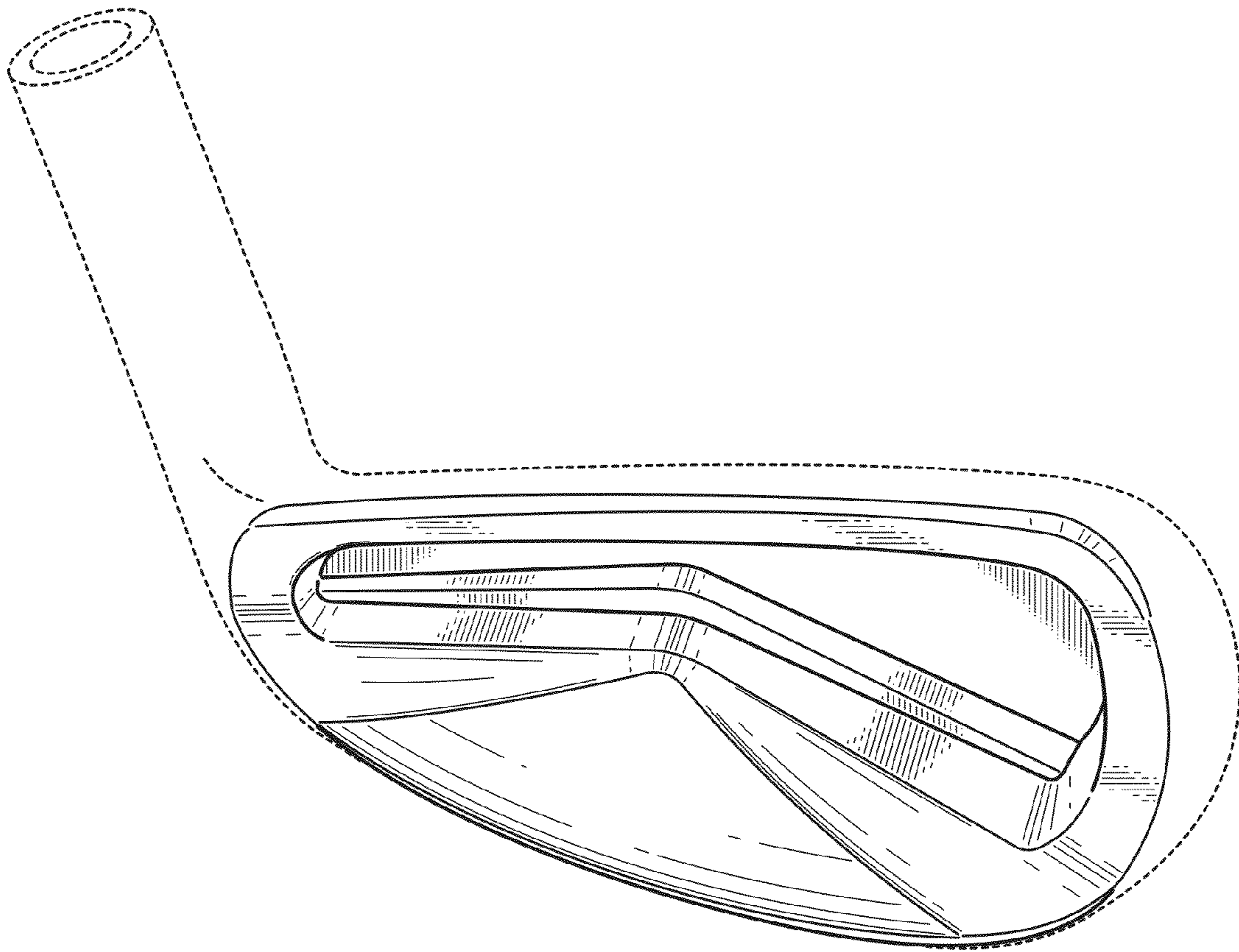


FIG. 1

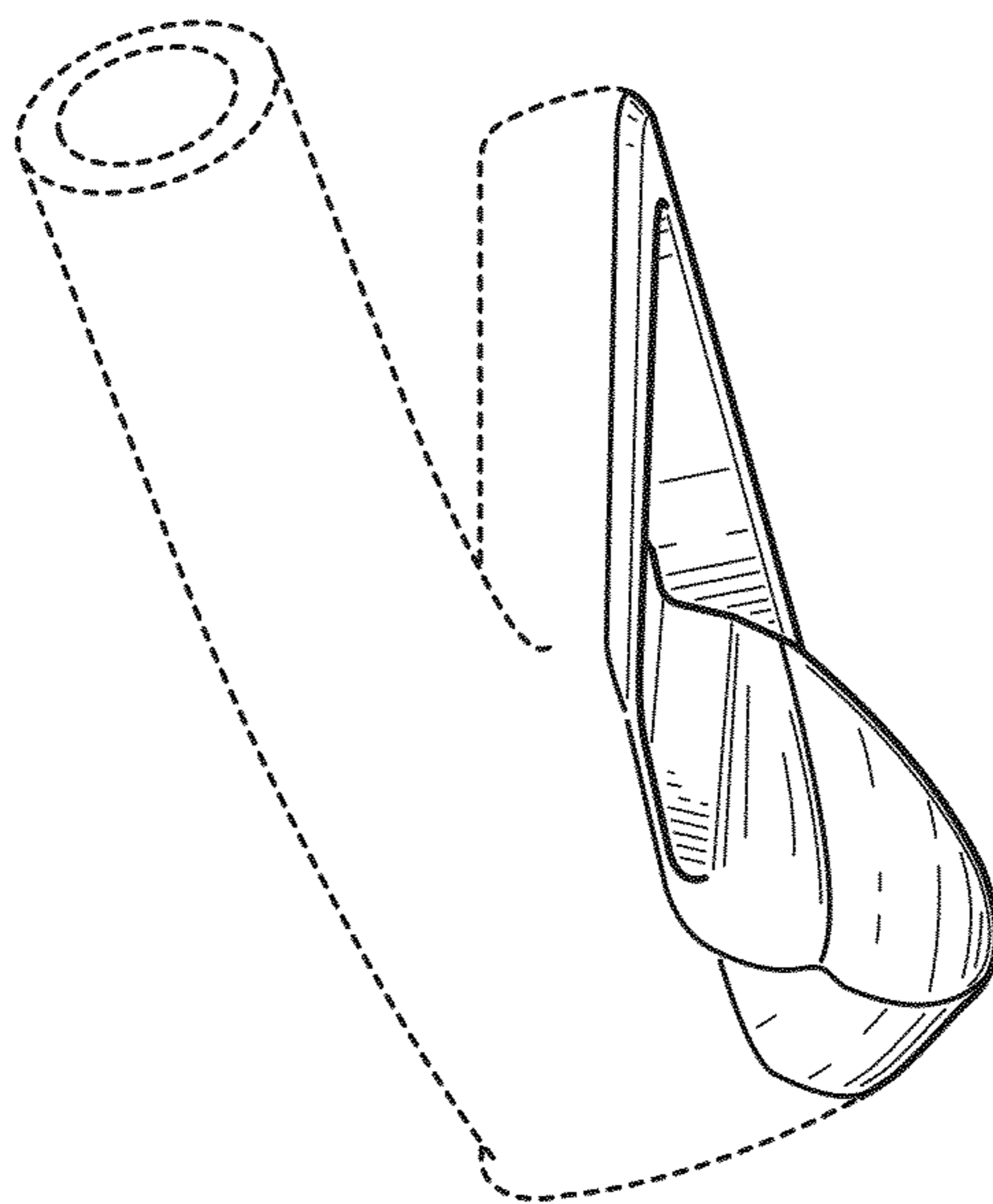


FIG. 2

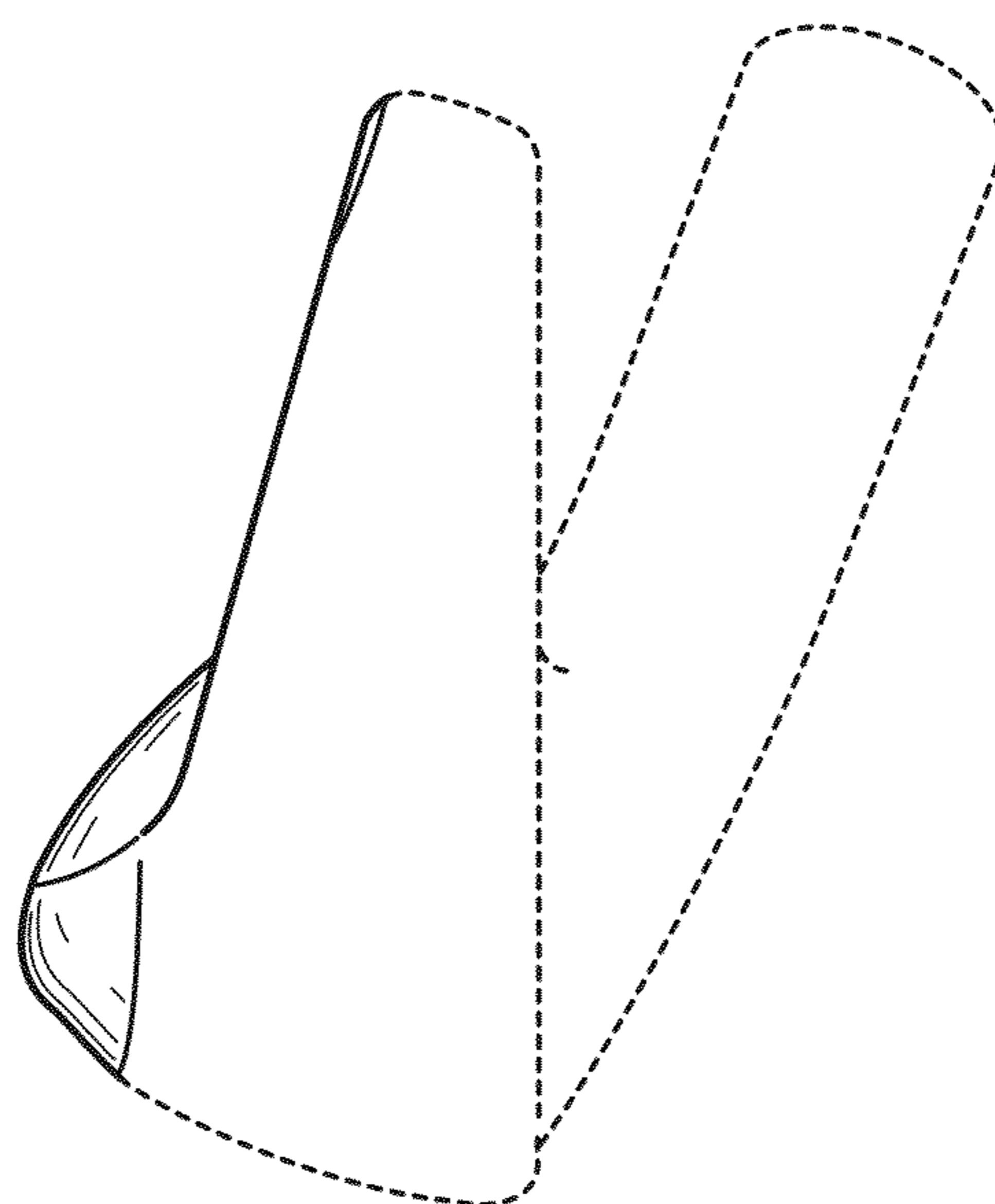


FIG. 3

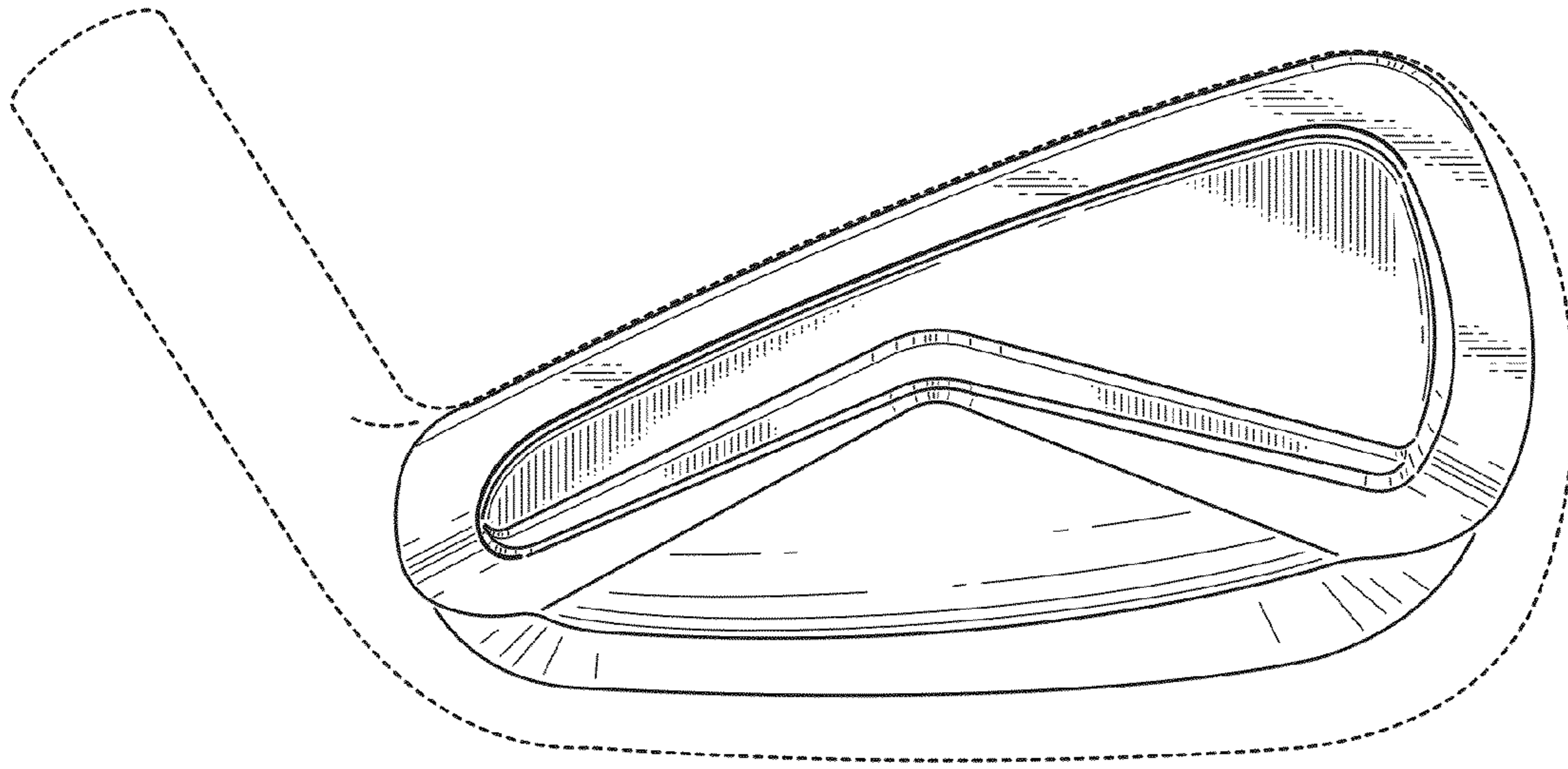


FIG. 4

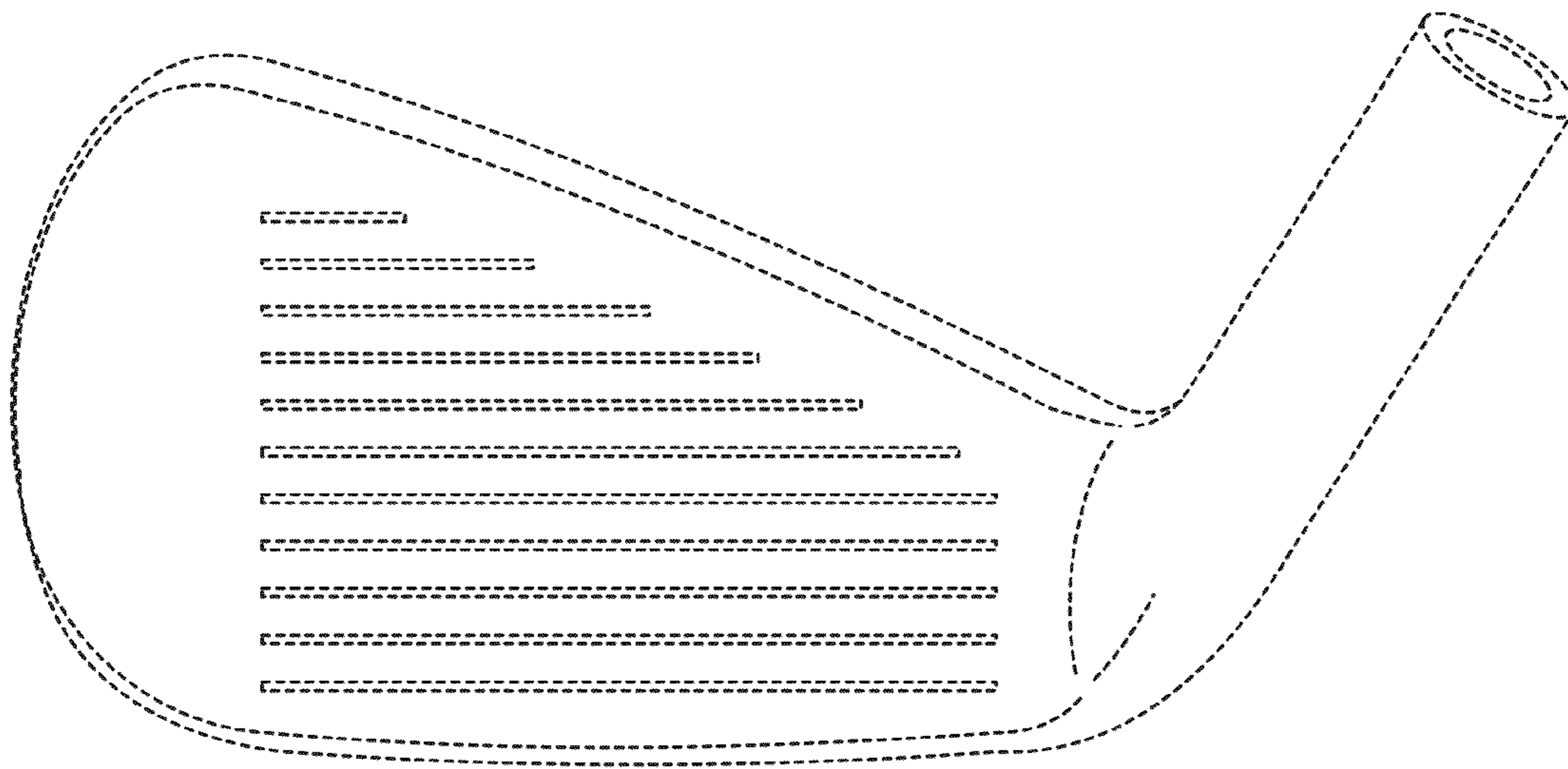


FIG. 5

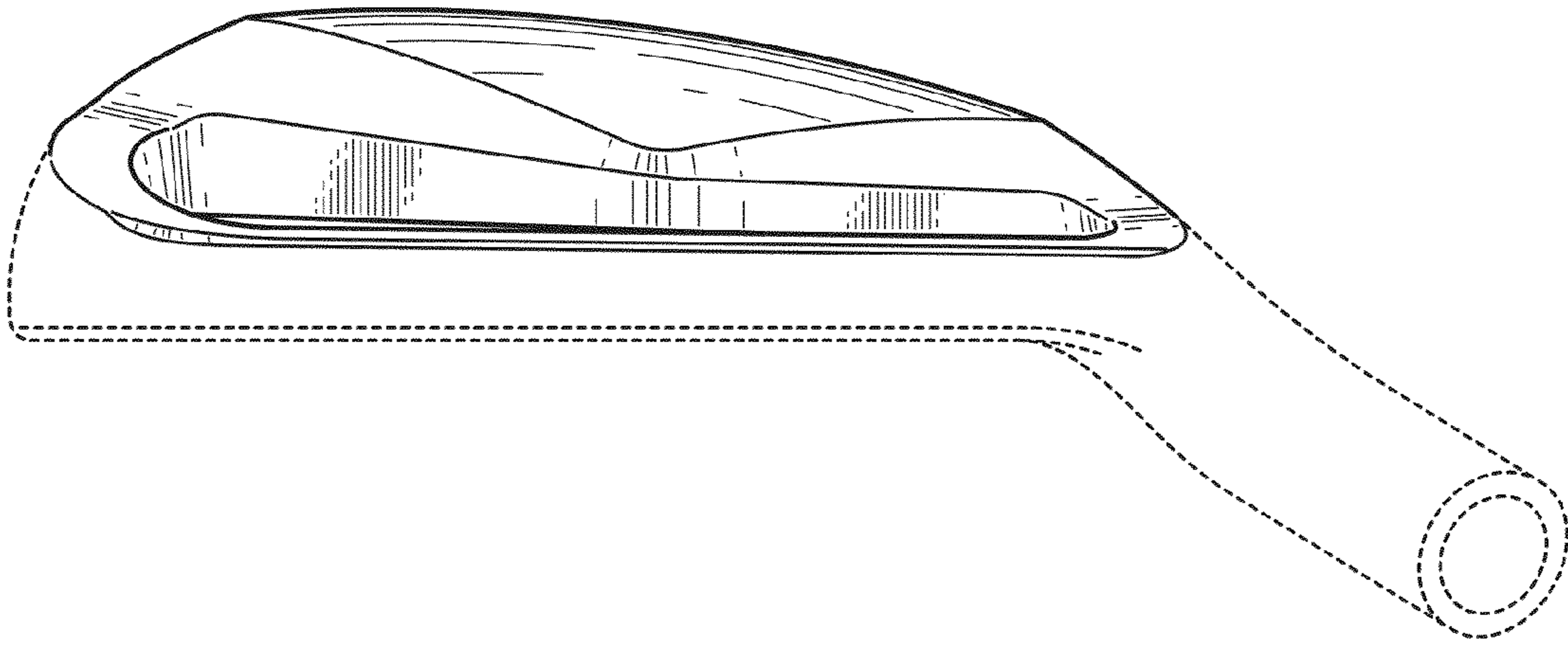


FIG. 6

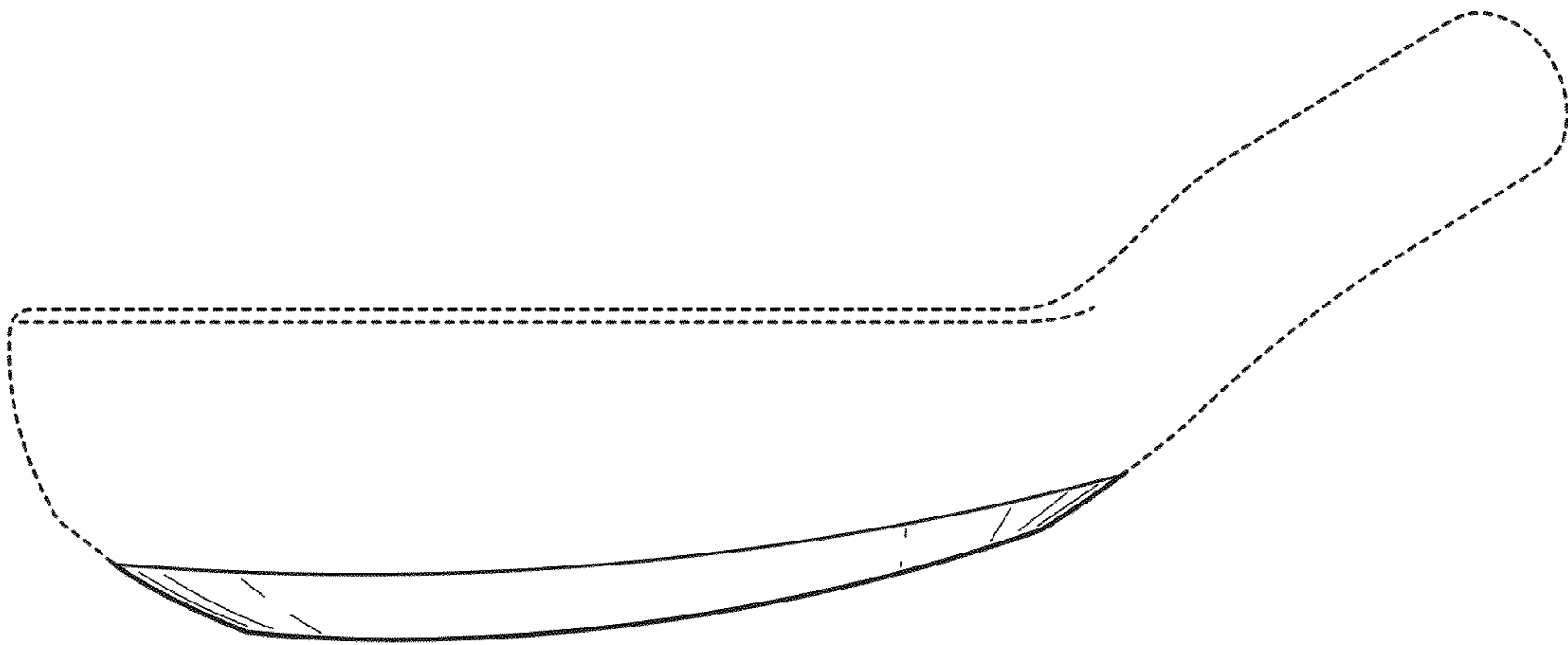


FIG. 7