



US00D736869S

(12) **United States Design Patent**
Harker

(10) **Patent No.:** **US D736,869 S**

(45) **Date of Patent:** **** Aug. 18, 2015**

(54) **PLYOMETRIC BOX**

(71) Applicant: **Shon L. Harker**, Syracuse, UT (US)

(72) Inventor: **Shon L. Harker**, Syracuse, UT (US)

(73) Assignee: **Hark'n Technologies, Inc.**, Clearfield, CT (US)

(**) Term: **14 Years**

(21) Appl. No.: **29/489,226**

(22) Filed: **Apr. 28, 2014**

(51) **LOC (10) Cl.** **21-02**

(52) **U.S. Cl.**
USPC **D21/686**

(58) **Field of Classification Search**

USPC D21/797, 694, 671, 686, 698, 699, 680,
D21/685, 692, 662, 687, 689, 318, 688, 412,
D21/333, 683, 798; D19/37, 64, 59;
D8/330, 1, 16; D9/624, 629;
D14/417.496; 15/104.93, 105, 118,
15/229.11, 208; D25/139, 155, 62, 65;
D6/349, 582, 592, 335, 350, 583, 588,
D6/585; 99/472, 467; D34/23, 1; 297/461,
297/223, 423.41; 269/289 R, 13, 15, 14;
206/501, 514, 4.27, 8; 156/250, 256,
156/272.8, 308.2, 330, 60, 213; 248/678;
D7/698, 699, 629, 388; 220/4.26;
217/3 R; D24/190, 191, 192, 167;
D17/99; D3/294, 282, 905; D30/118;
182/33; D99/17, 1; 428/122; 451/534,
451/539; 482/142, 52, 51, 30, 74, 91, 140,
482/25, 94; 446/117, 69; 473/278
CPC A63B 22/001; A63B 22/0664; A63B
23/0211; A63B 21/225; A63B 2022/067;
A63B 22/0015; A63B 2208/0204; A63B
2208/0233

See application file for complete search history.

(56) **References Cited**

U.S. PATENT DOCUMENTS

D145,938 S *	11/1946	Guild	D6/349
D273,351 S *	4/1984	Crockett	D6/349
D287,316 S *	12/1986	Vanderminden	D6/349
D306,243 S *	2/1990	Livi	D6/690
D339,179 S *	9/1993	Wilkinson	D21/671
D357,375 S *	4/1995	Noll	D6/692.4
D509,684 S *	9/2005	Judy	D6/691.8
D542,546 S *	5/2007	Rubio	D6/349
D556,466 S *	12/2007	Foster	D6/349
D652,651 S *	1/2012	Wittenberg et al.	D6/403
D657,168 S *	4/2012	Clarke-Smith	D6/716
D661,129 S *	6/2012	Schweikarth et al.	D6/691.3
D705,556 S *	5/2014	Udagawa et al.	D6/349
D720,142 S *	12/2014	Nigro	D6/349
D723,814 S *	3/2015	Hagstrom	D6/335
D728,010 S *	4/2015	Xu	D18/34.5
2013/0137558 A1 *	5/2013	Ross	482/142

* cited by examiner

Primary Examiner — Robert M Spear

Assistant Examiner — Ryan Harvey

(74) *Attorney, Agent, or Firm* — Legends Law Group, PLLC; Stephen H. Bean, Esq.

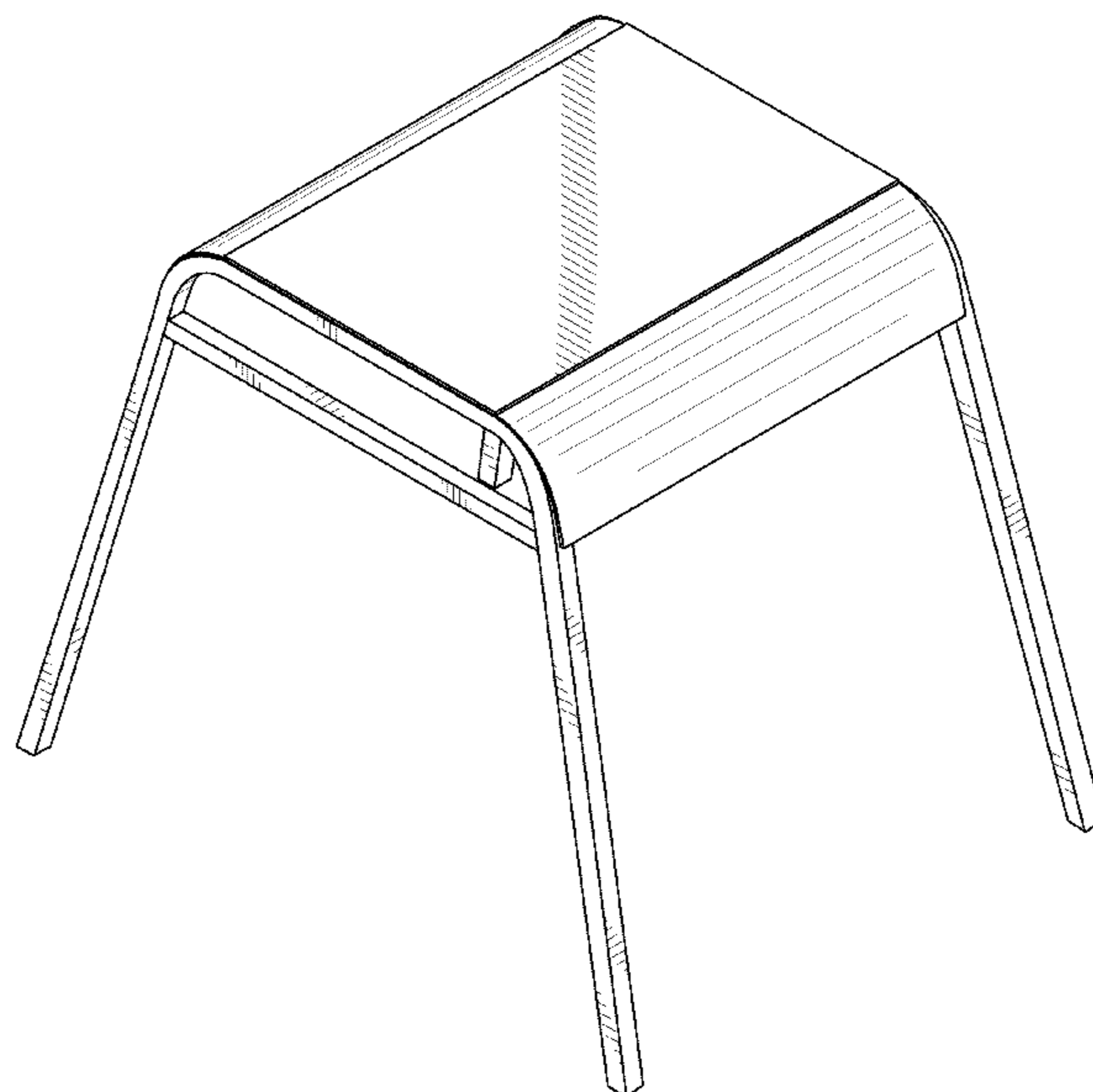
(57) **CLAIM**

I claim the ornamental design for a plyometric box, as shown and described.

DESCRIPTION

FIG. 1 is a perspective illustration view of the plyometric box; FIG. 2 is a side elevational view thereof; FIG. 3 is another side elevational view thereof; FIG. 4 is a front view thereof; FIG. 5 is a back view thereof; FIG. 6 is a top plan view thereof; and, FIG. 7 is a bottom plan view thereof.

1 Claim, 7 Drawing Sheets



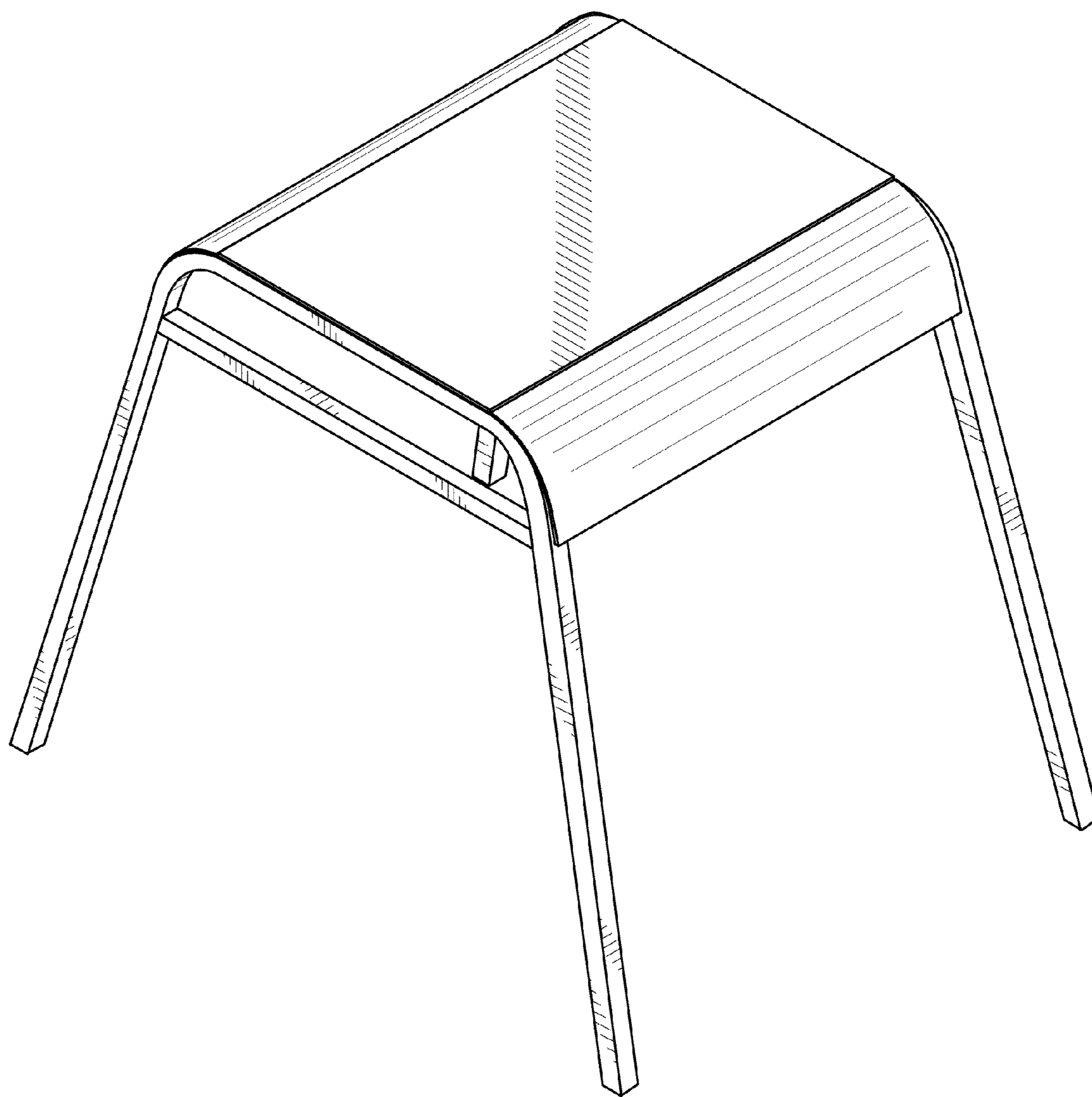


FIG. 1

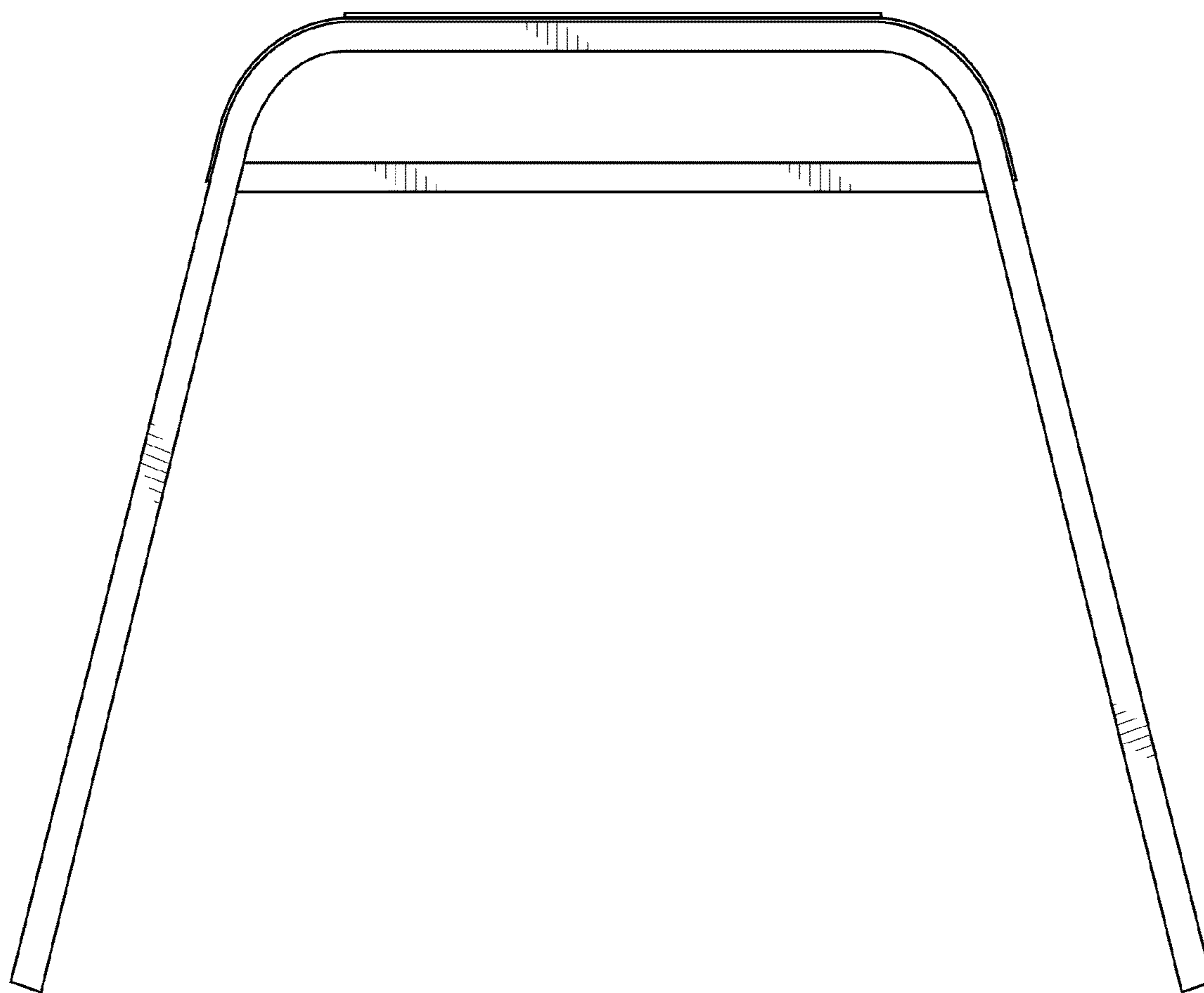


FIG. 2

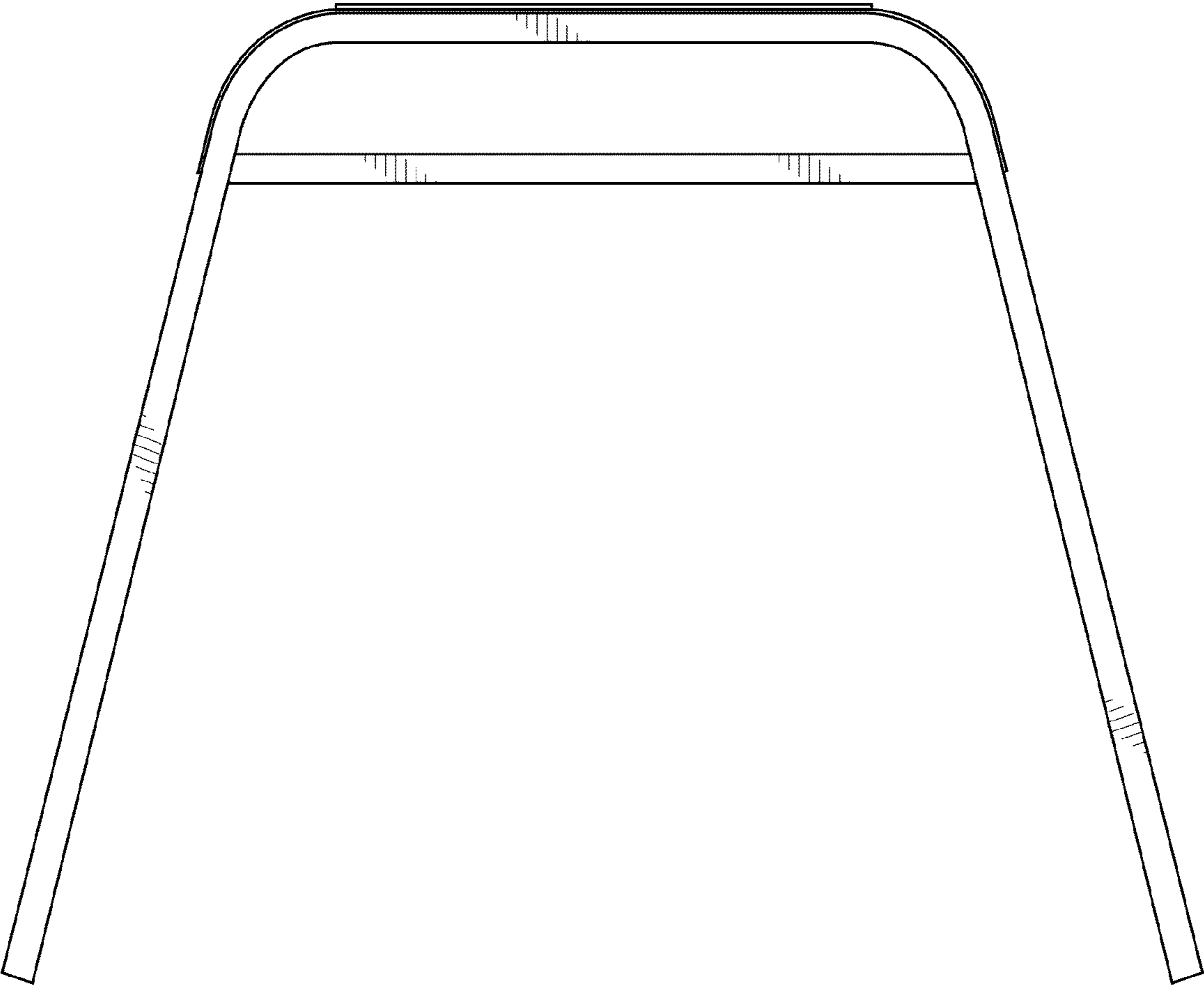


FIG. 3

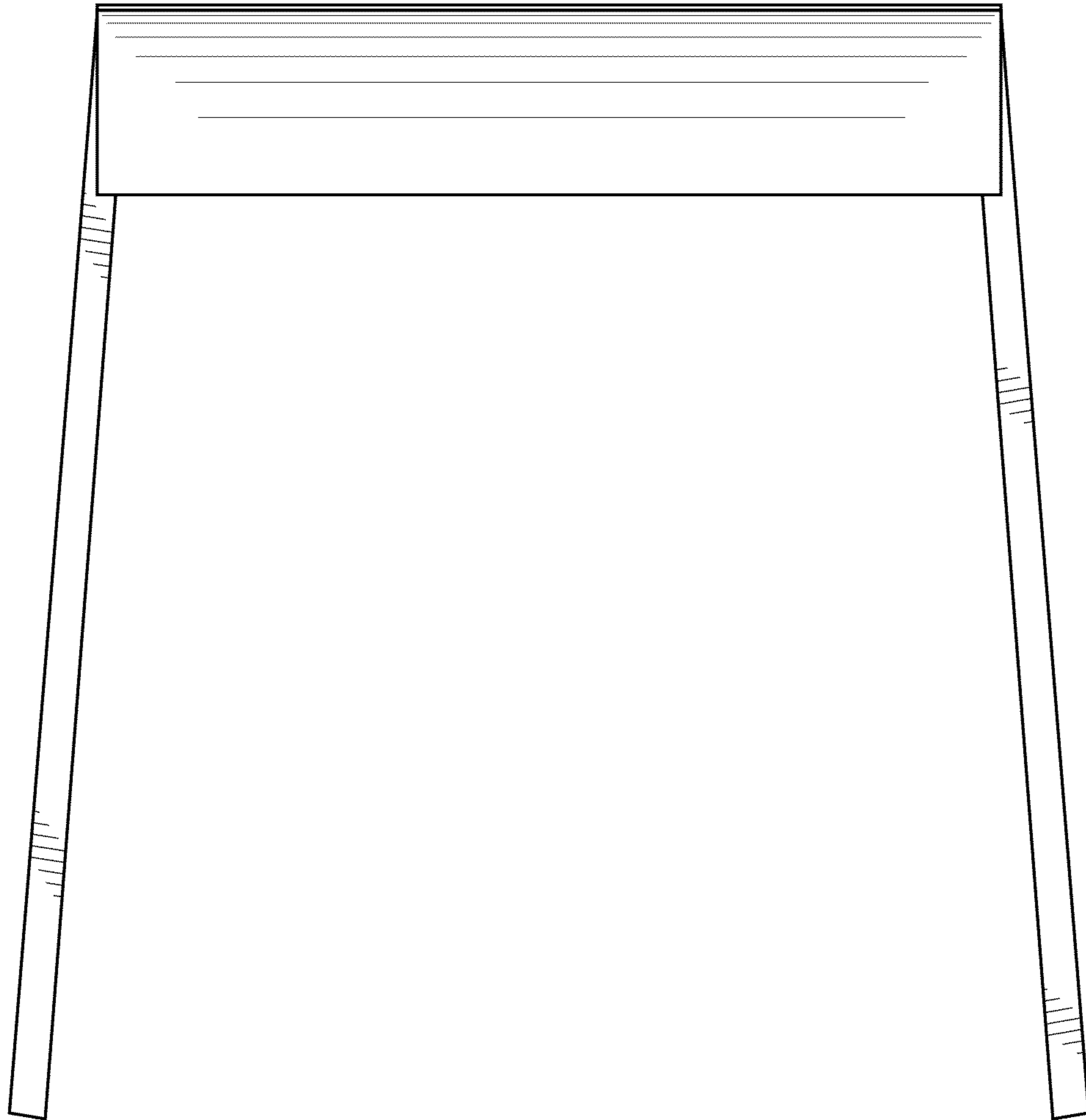


FIG. 4

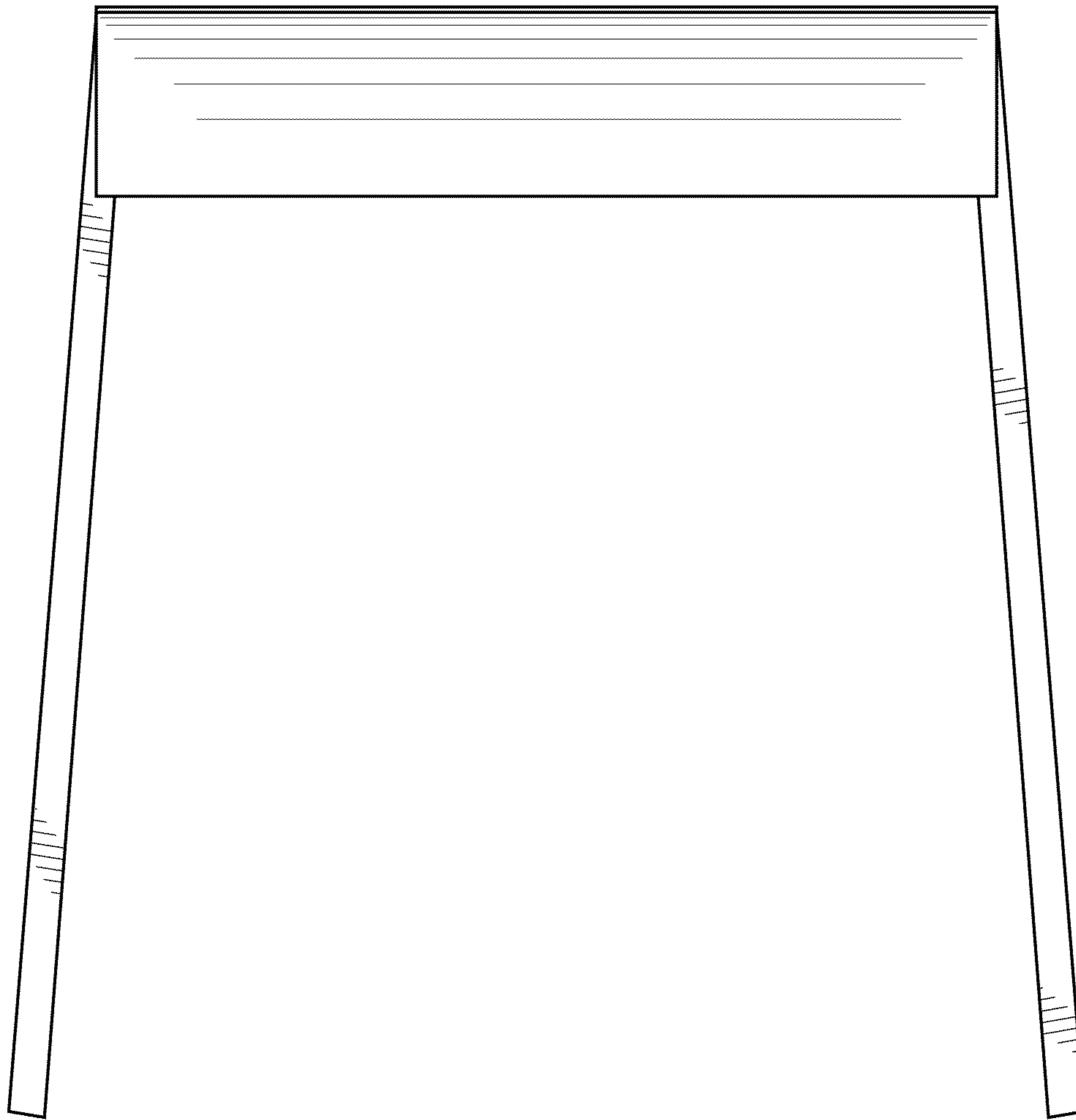


FIG. 5

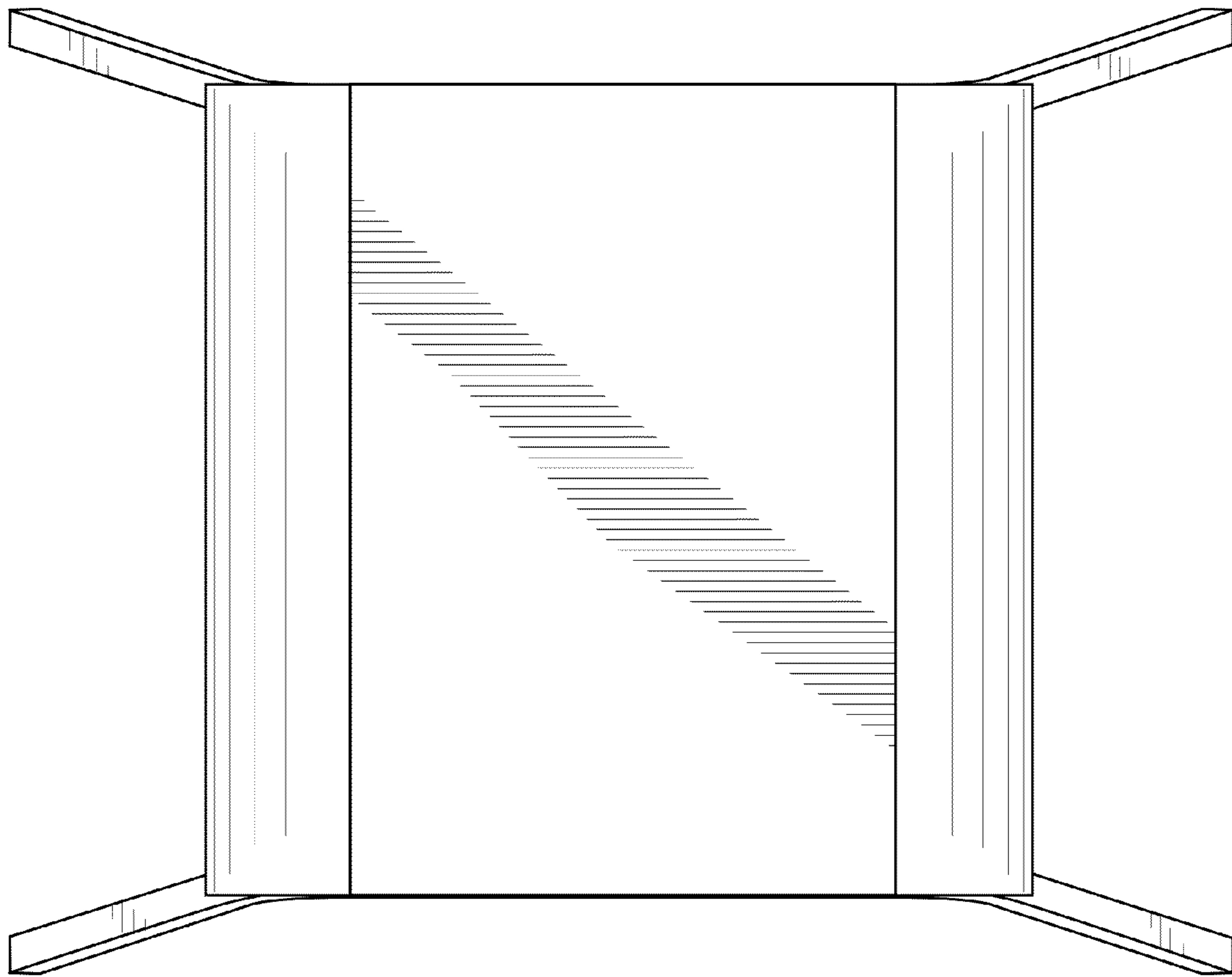


FIG. 6

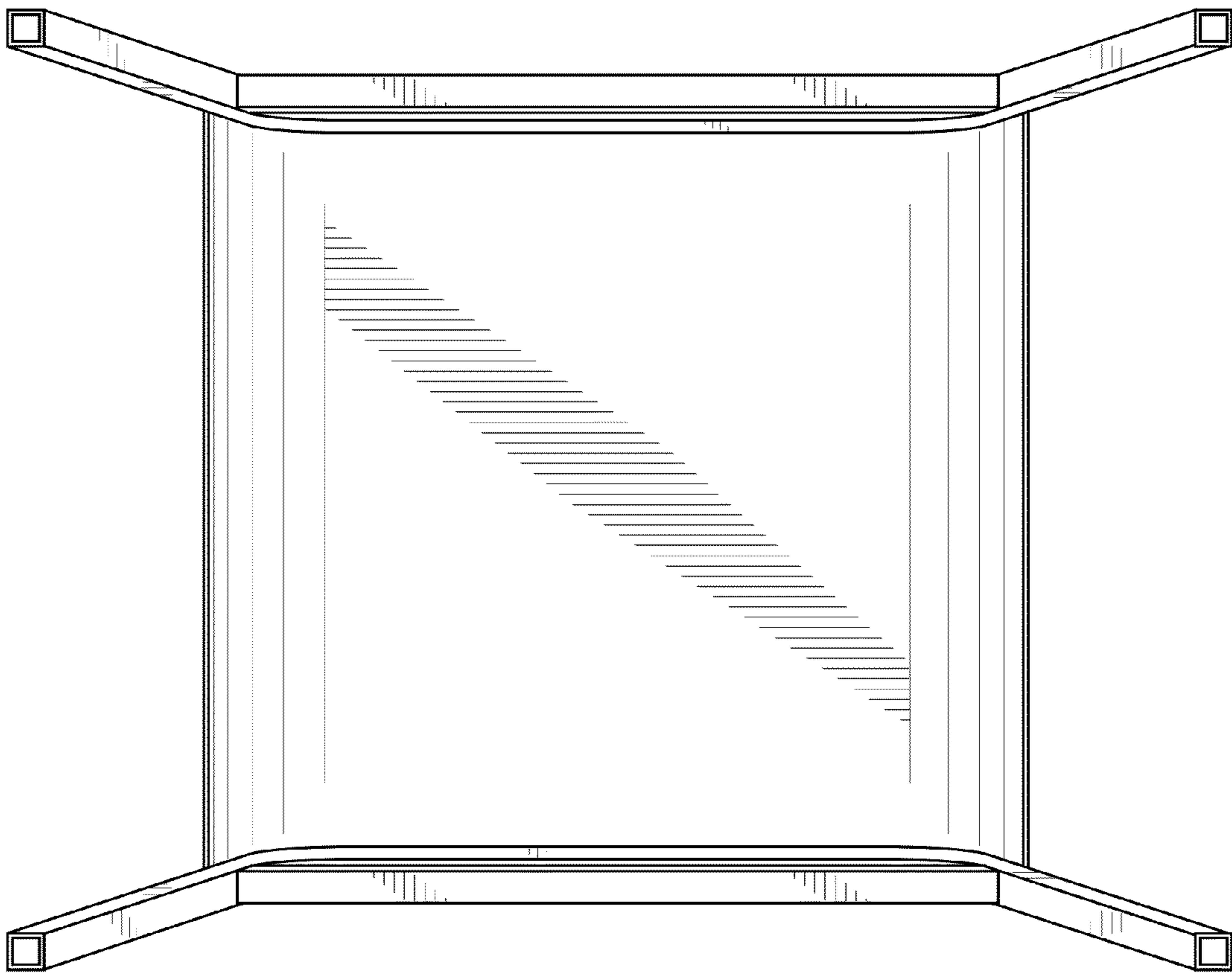


FIG. 7