



US00D736864S

(12) **United States Design Patent**
Laggan

(10) **Patent No.:** **US D736,864 S**

(45) **Date of Patent:** **** Aug. 18, 2015**

(54) **EXERCISE DEVICE**

(71) Applicant: **Bally Wally LLC**, Lutz, FL (US)

(72) Inventor: **Russell Laggan**, Lutz, FL (US)

(73) Assignee: **Bally Wally LLC**, Lutz, FL (US)

(**) Term: **14 Years**

(21) Appl. No.: **29/501,603**

(22) Filed: **Sep. 5, 2014**

(51) **LOC (10) Cl.** **21-02**

(52) **U.S. Cl.**
USPC **D21/662**

(58) **Field of Classification Search**
USPC D21/688, 662, 686, 679, 691, 682, 694,
D21/753, 400, 723, 775, 726, 672, 684,
D21/681; D24/211, 212, 214; 601/120;
36/134; 29/428; 12/142 P; 482/50, 106,
482/139, 46, 107, 129, 121, 102, 45, 92, 93,
482/44, 108, 110, 111, 94, 105, 109, 49,
482/141; 604/1; 446/170; 135/77; D7/682,
D7/669; D3/7; D10/81; D25/126; 473/256
See application file for complete search history.

(56) **References Cited**

U.S. PATENT DOCUMENTS

D273,042 S *	3/1984	Jackson	D24/211
D287,281 S *	12/1986	Lancellotti	D24/212
D366,604 S *	1/1996	Welch, Jr.	D8/77
D427,318 S *	6/2000	Chen	D24/211
D488,843 S *	4/2004	Brown	D21/684

D491,271 S *	6/2004	Siegfried	D24/211
D695,364 S *	12/2013	Khalil	D21/662
D704,852 S *	5/2014	Yang	D24/211
2006/0069333 A1 *	3/2006	Pidcock	601/123

* cited by examiner

Primary Examiner — Robert M Spear

Assistant Examiner — Ryan Harvey

(74) *Attorney, Agent, or Firm* — Christopher Paradies;
Paradies Law P.A.

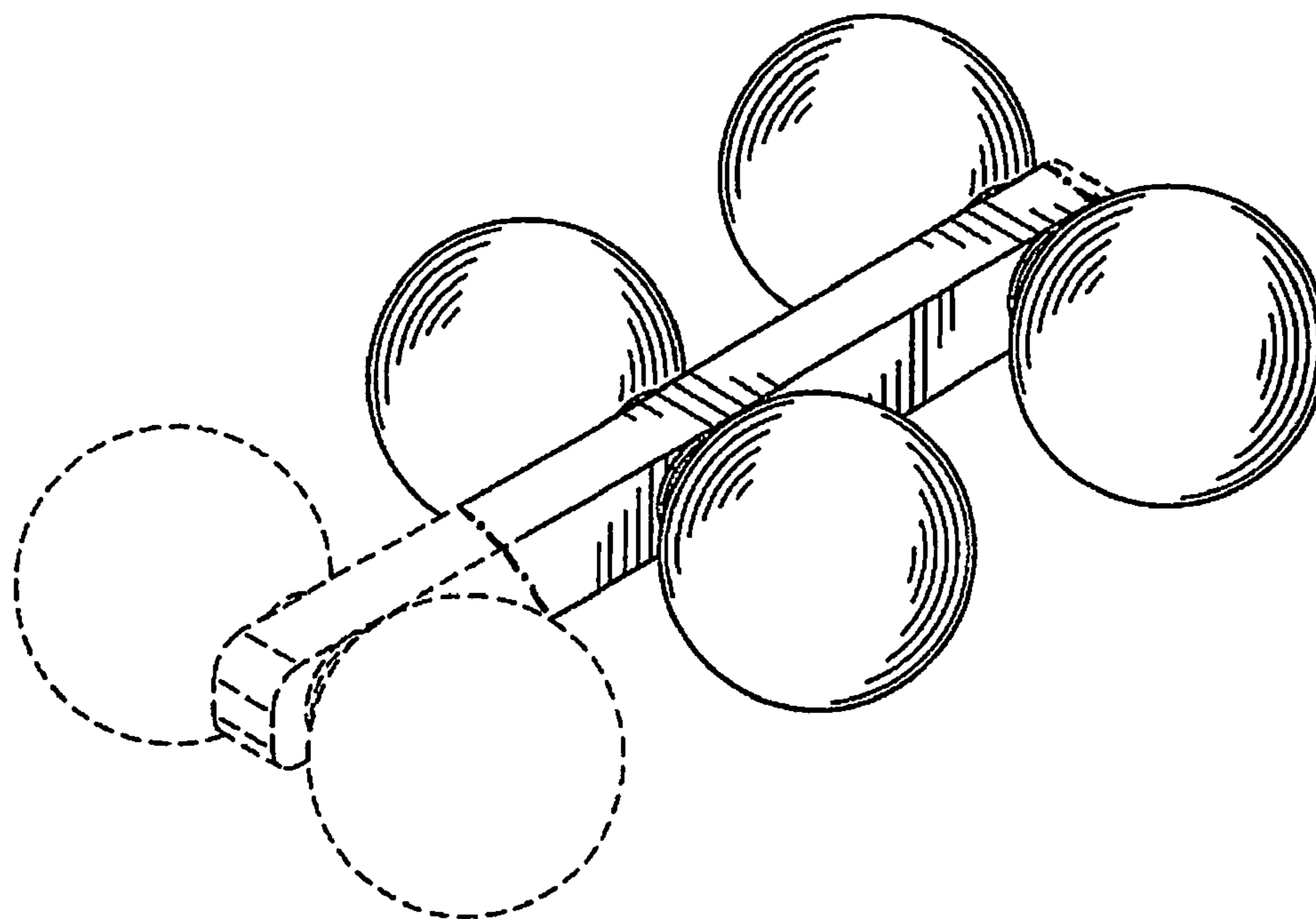
(57) **CLAIM**

The ornamental design for an exercise device, as shown and described.

DESCRIPTION

FIG. 1 is a perspective view of the exercise device.
 FIG. 2 is another perspective view of the exercise device.
 FIG. 3 is a top view of the exercise device, which is identical to the bottom view of the exercise device.
 FIG. 4 is a front side view of the exercise device, and the back side view is a mirror image of the front side view illustrated in FIG. 4.
 FIG. 5 is a left end view of the exercise device, broken lines illustrating obscuring environment and forming no part of the claimed design; and,
 FIG. 6 is a right end view of the exercise device.
 Broken lines showing an extension including additional balls on the left side and a terminating end on the right side is for the purpose of illustrating environment and forms no part of the claimed design.
 The dash-dot-dash lines illustrate the boundaries of the claim and form no part of the claimed design.

1 Claim, 3 Drawing Sheets



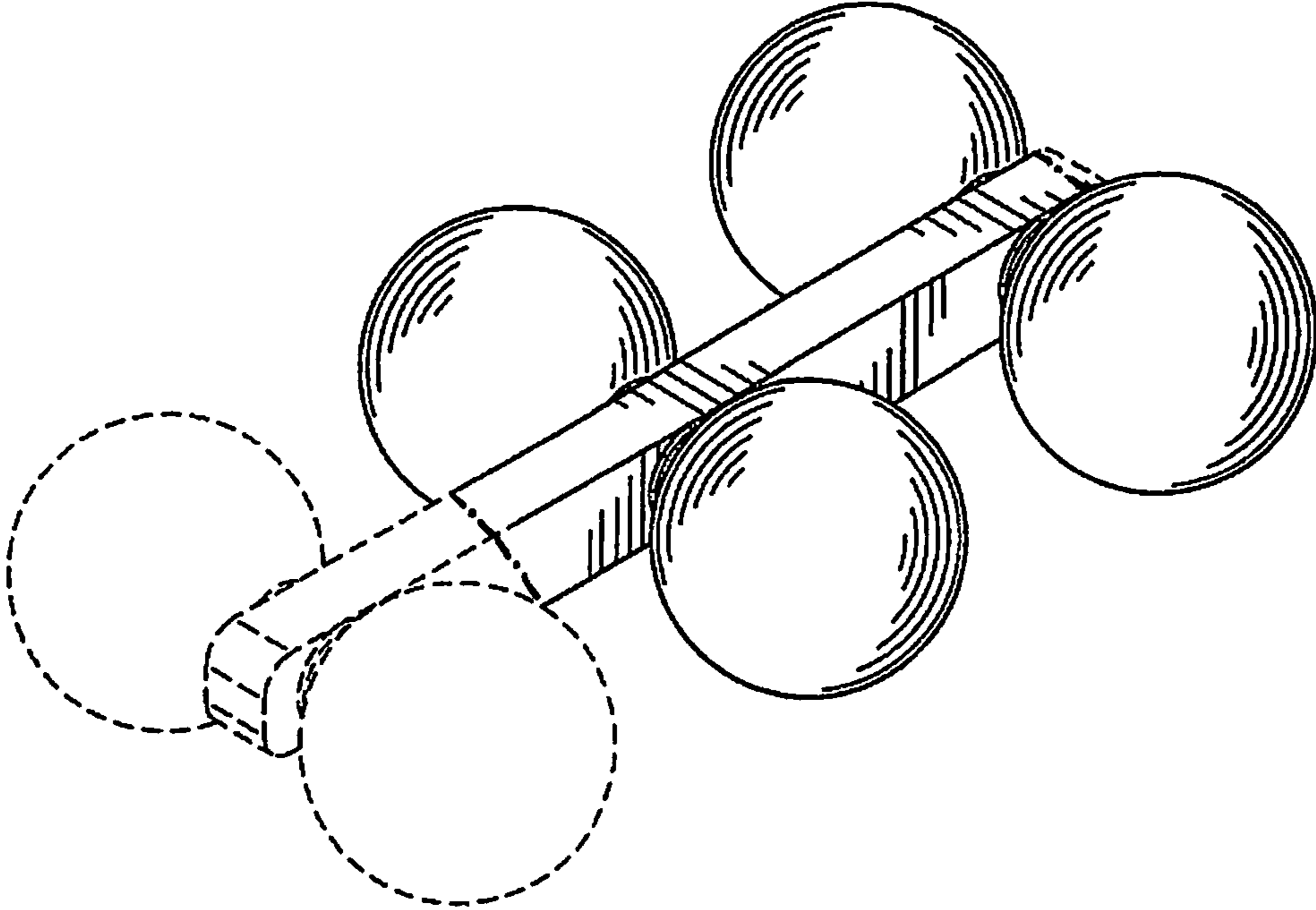


FIG. 1

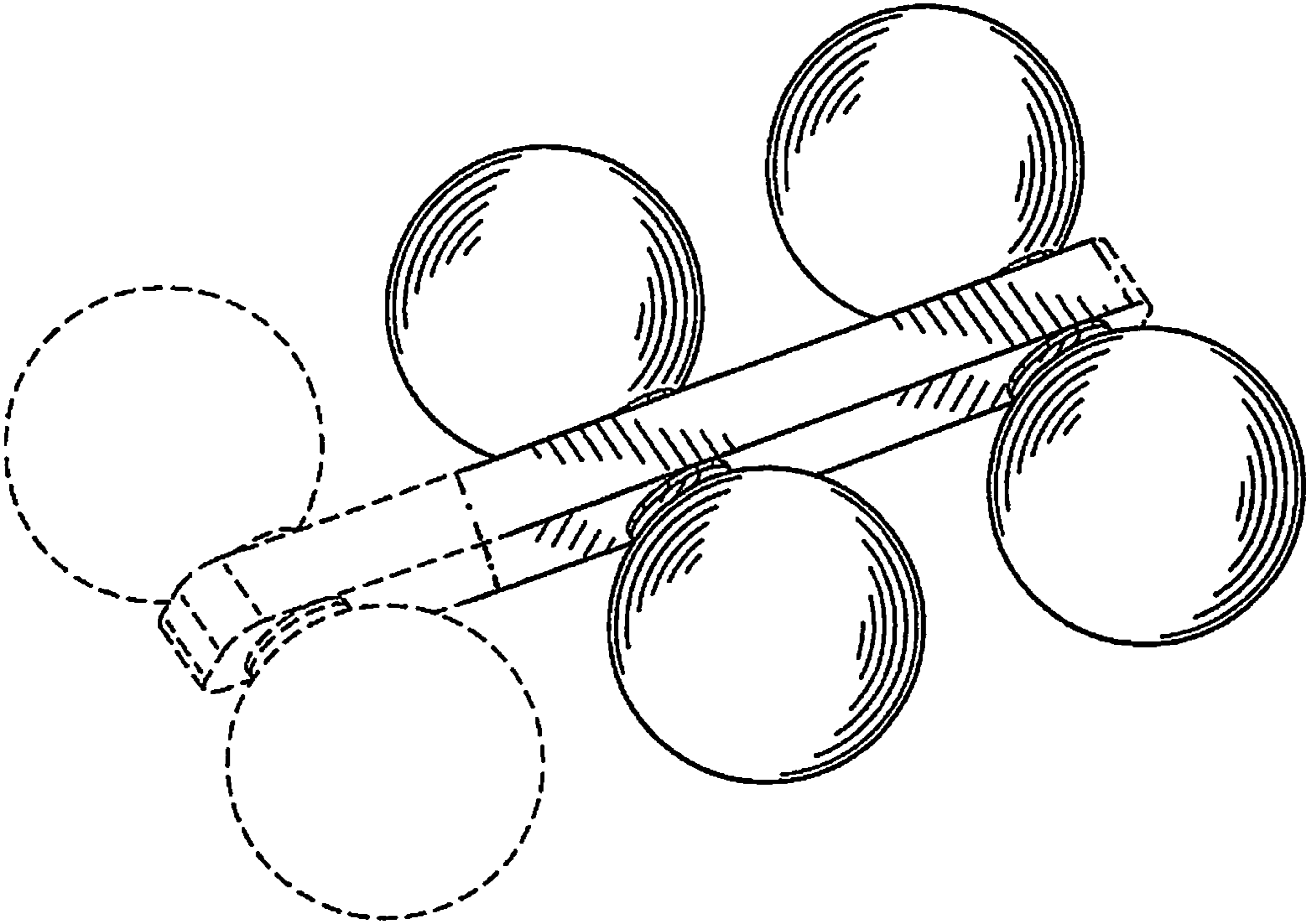


FIG. 2

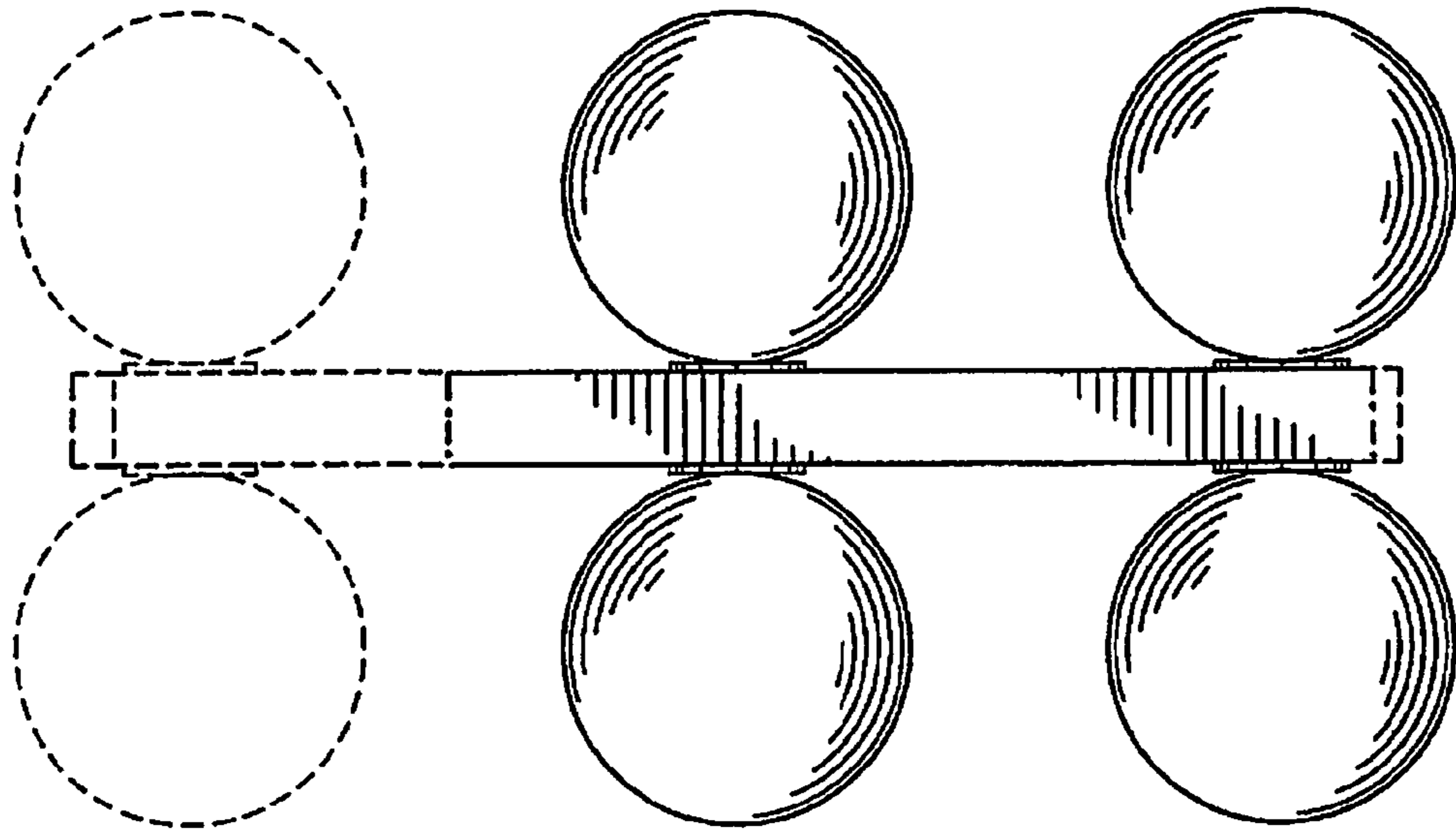


FIG. 3

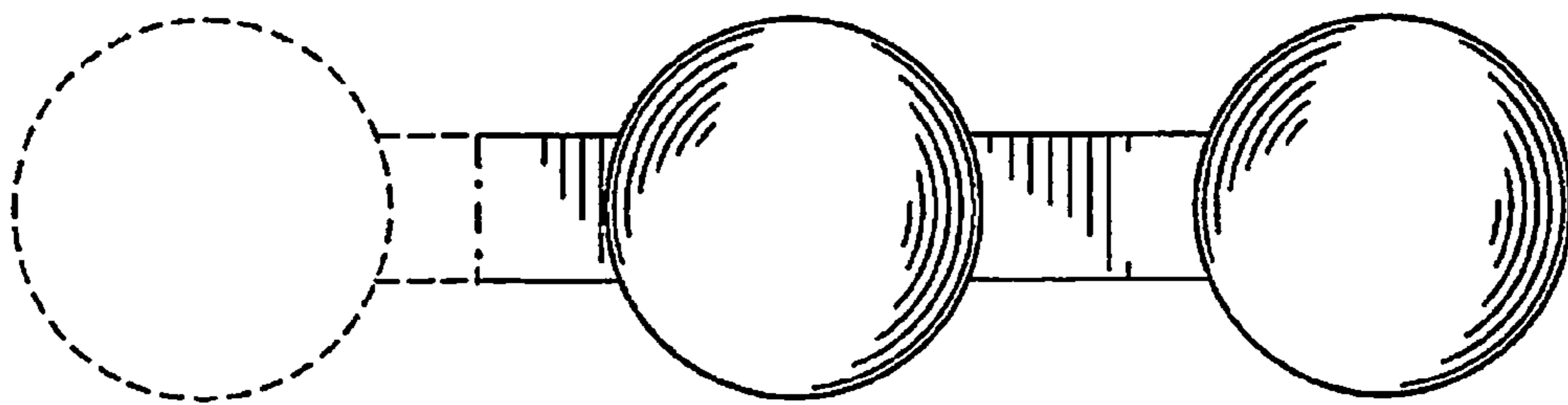


FIG. 4

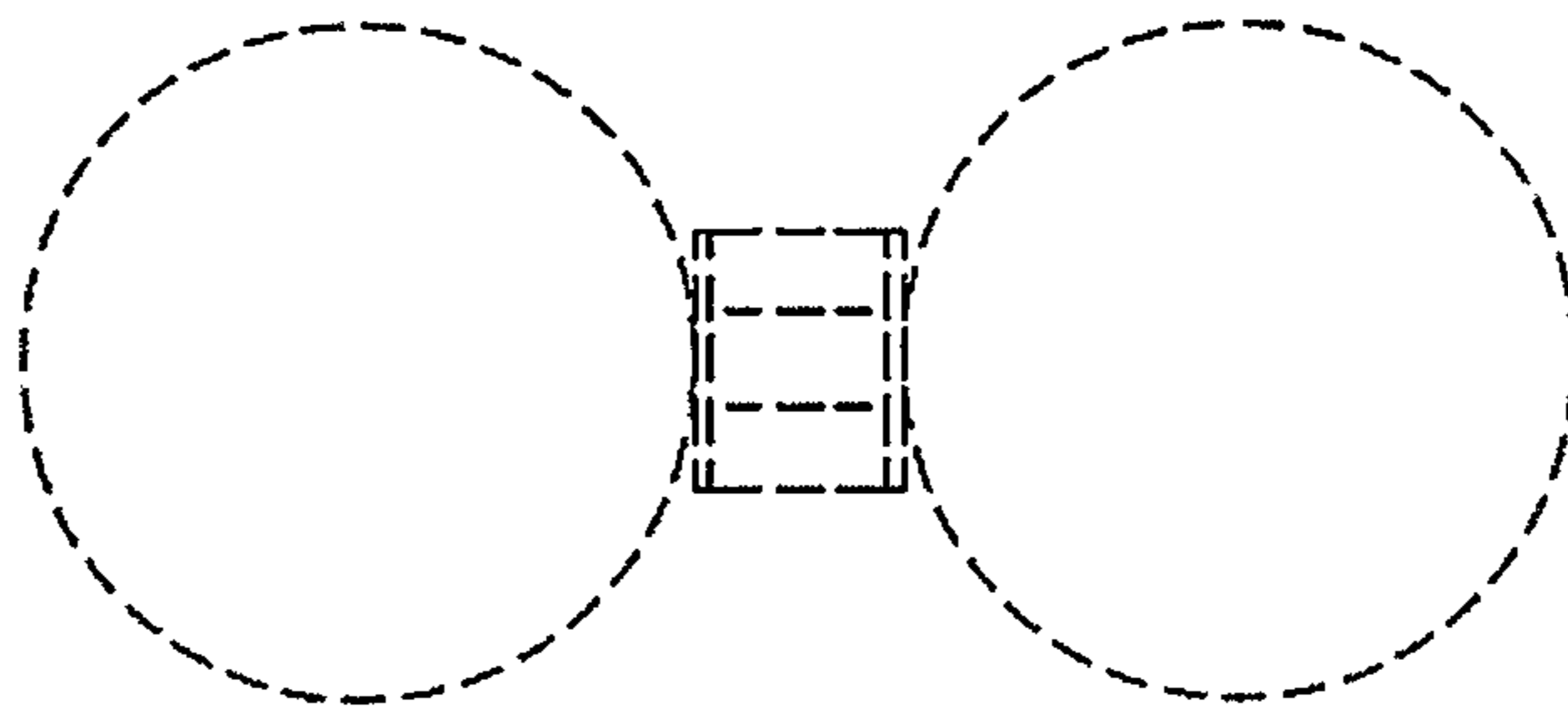


FIG. 5

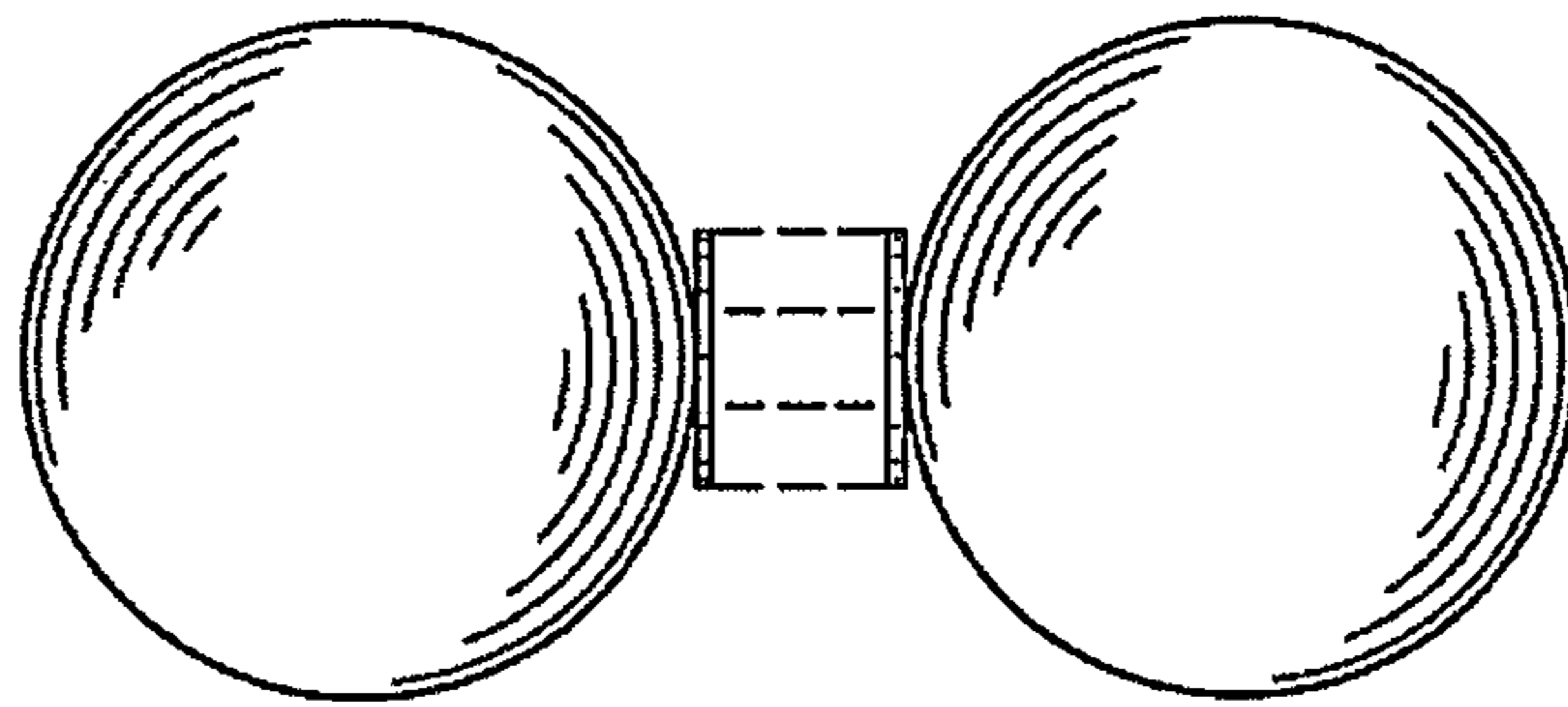


FIG. 6