



US00D736860S

(12) **United States Design Patent**
Lovoi et al.

(10) **Patent No.:** **US D736,860 S**
(45) **Date of Patent:** **** Aug. 18, 2015**

(54) **GAME CONTROLLER GRIP**

(71) Applicants: **Steven Paul Lovoi**, San Ramon, CA (US); **Scott Allen Koski**, Irvine, CA (US)

(72) Inventors: **Steven Paul Lovoi**, San Ramon, CA (US); **Scott Allen Koski**, Irvine, CA (US)

(**) Term: **14 Years**

(21) Appl. No.: **29/500,457**

(22) Filed: **Aug. 25, 2014**

(51) **LOC (10) Cl.** **21-01**

(52) **U.S. Cl.**
USPC **D21/333; D14/401**

(58) **Field of Classification Search**
USPC D14/399-401, 412-418; D21/148 B; 463/1, 29-39, 46, 47; 345/156-161, 345/905
CPC A63F 13/02; A63F 9/24; A63F 13/12; A63F 9/00; A63F 11/00; A63F 71/00; G06F 3/02; G06F 3/033; G09G 5/00
See application file for complete search history.

(56) **References Cited**

U.S. PATENT DOCUMENTS

6,120,025 A * 9/2000 Hughes, IV 273/148 B
D464,996 S * 10/2002 Hussaini et al. D21/333

6,743,100 B1 * 6/2004 Neiser 463/37
7,063,321 B2 * 6/2006 Hussaini et al. 273/148 B
7,235,012 B2 * 6/2007 DiDato 463/38
D570,854 S * 6/2008 Harris D14/454
D587,717 S * 3/2009 Harris D14/454
7,762,553 B2 * 7/2010 Harris 273/148 B
D640,696 S 6/2011 Lovoi et al.
D640,697 S * 6/2011 Lovoi et al. D14/401
D669,078 S 10/2012 Lovoi et al.
D717,875 S * 11/2014 Uhrman et al. D21/333
D730,451 S * 5/2015 Burgess et al. D21/333

* cited by examiner

Primary Examiner — Prabhakar Deshmukh

(74) *Attorney, Agent, or Firm* — Todd J. Langford; Eric A. Hanscom

(57) **CLAIM**

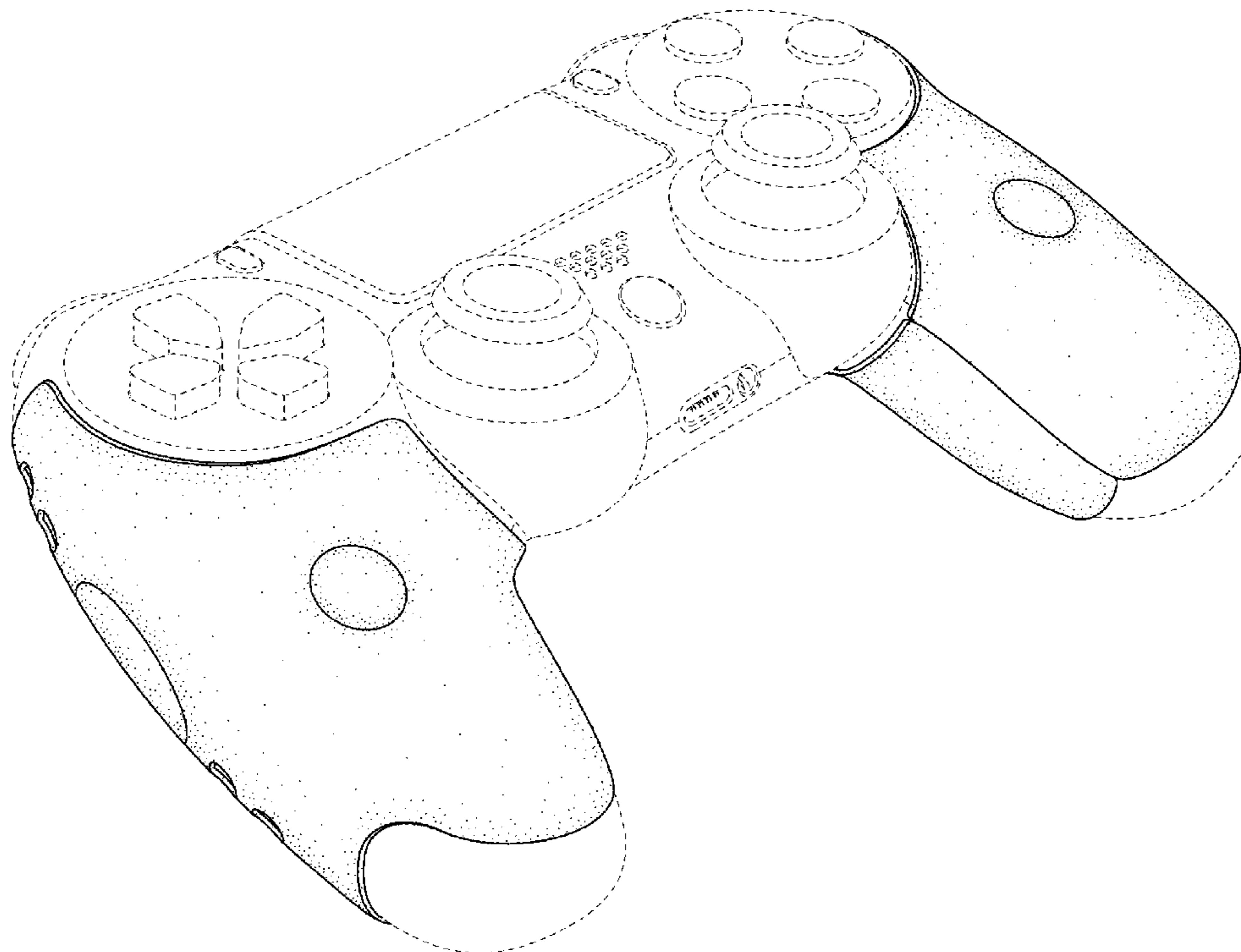
The ornamental design for a game controller grip, as shown and described.

DESCRIPTION

FIG. 1 is a perspective view of the game controller grip;
FIG. 2 is a back view;
FIG. 3 is a front view;
FIG. 4 is a right side view;
FIG. 5 is a left side view;
FIG. 6 is a top view; and,
FIG. 7 is a bottom view thereof.

The broken lines showing the game controller are for the purpose of illustrating environmental structure and form no part of the claimed design.

1 Claim, 6 Drawing Sheets



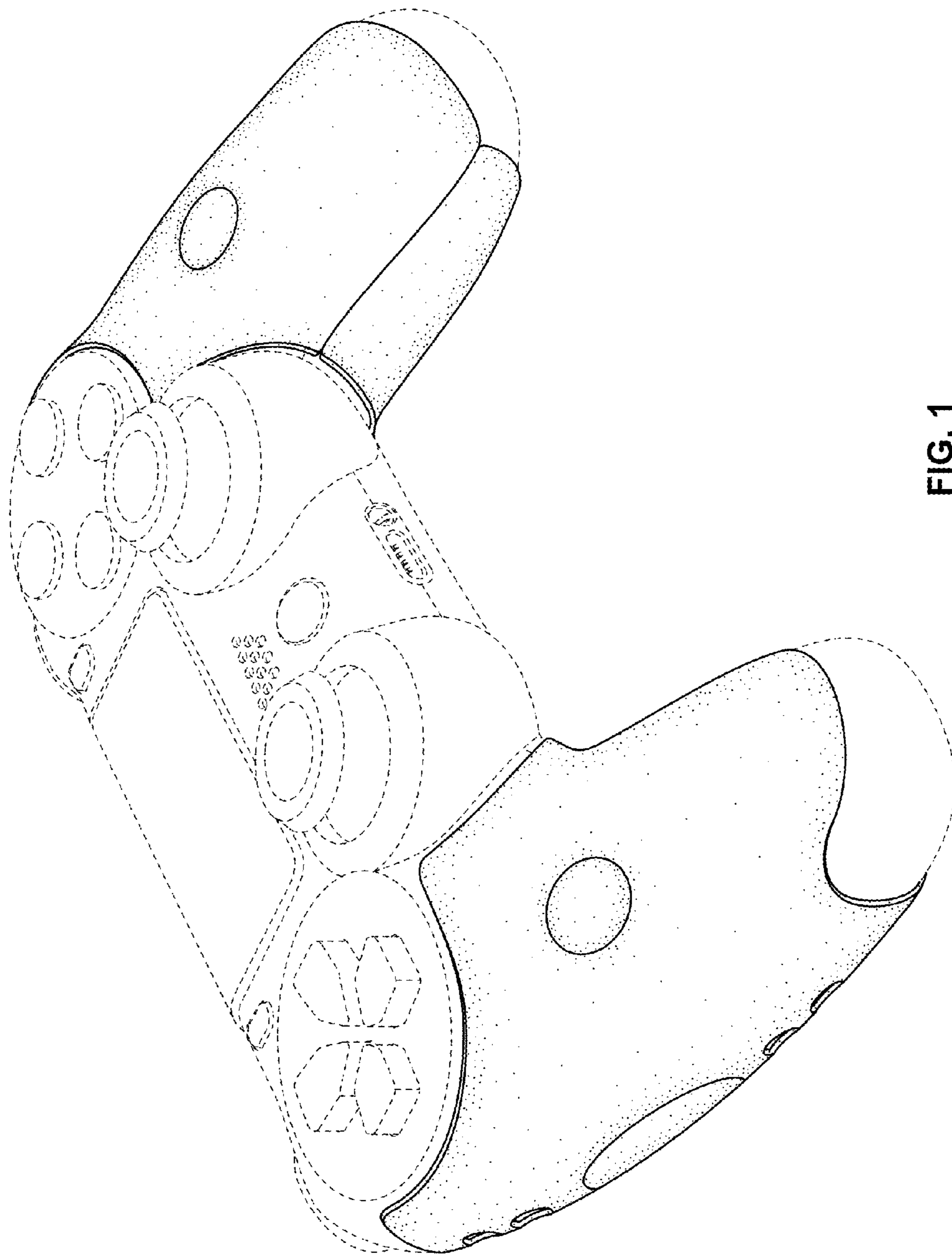


FIG. 1

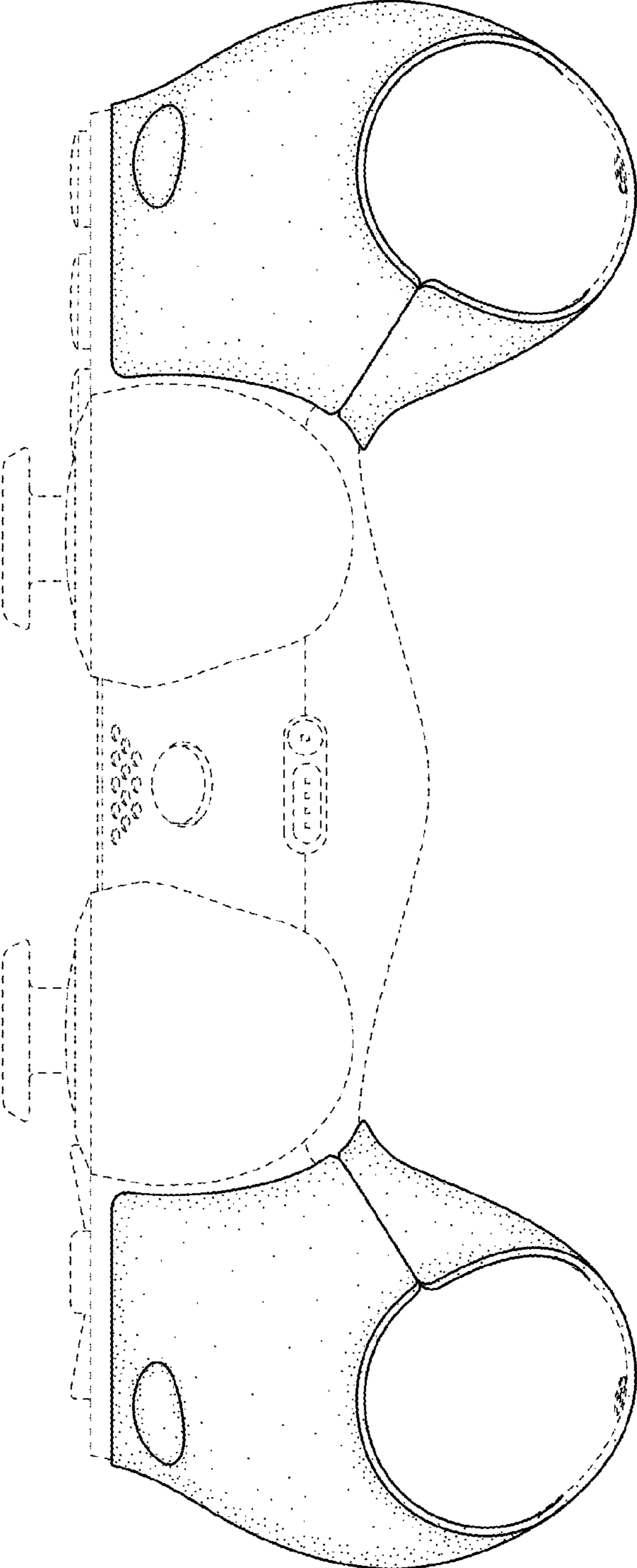


FIG. 2

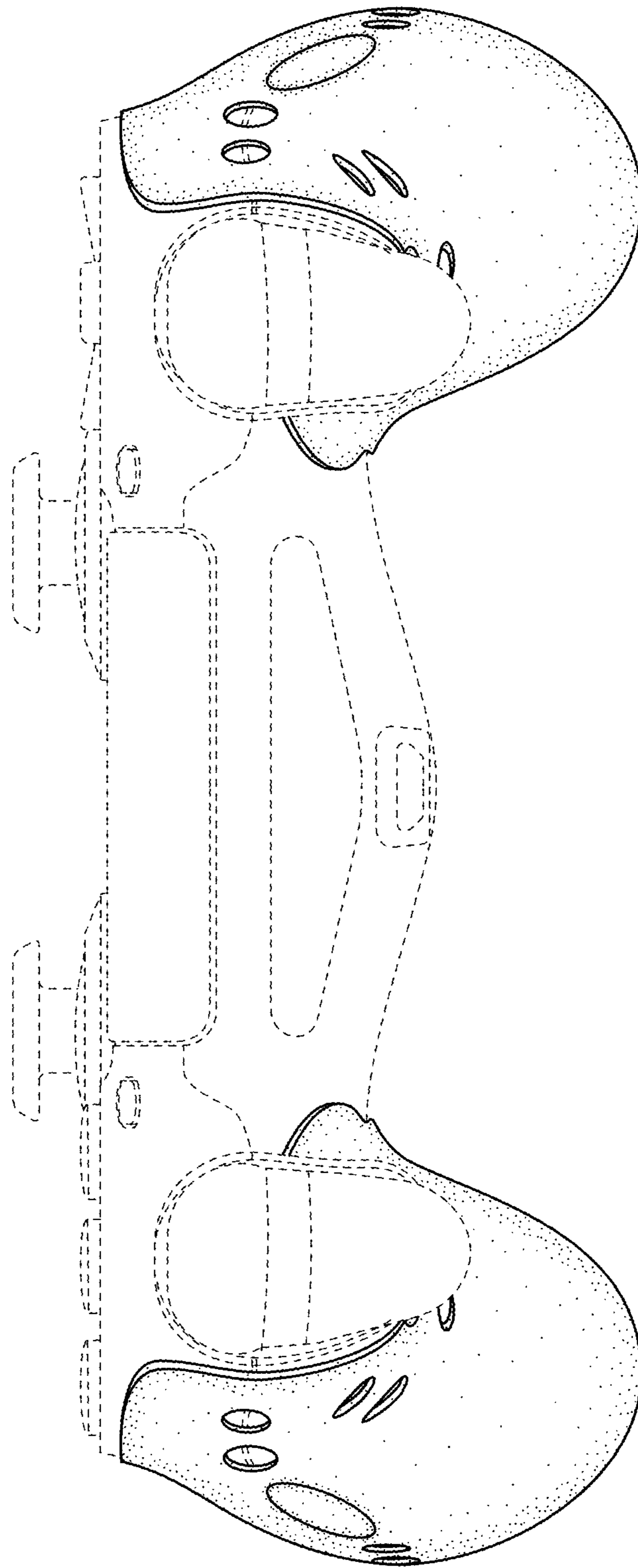


FIG. 3

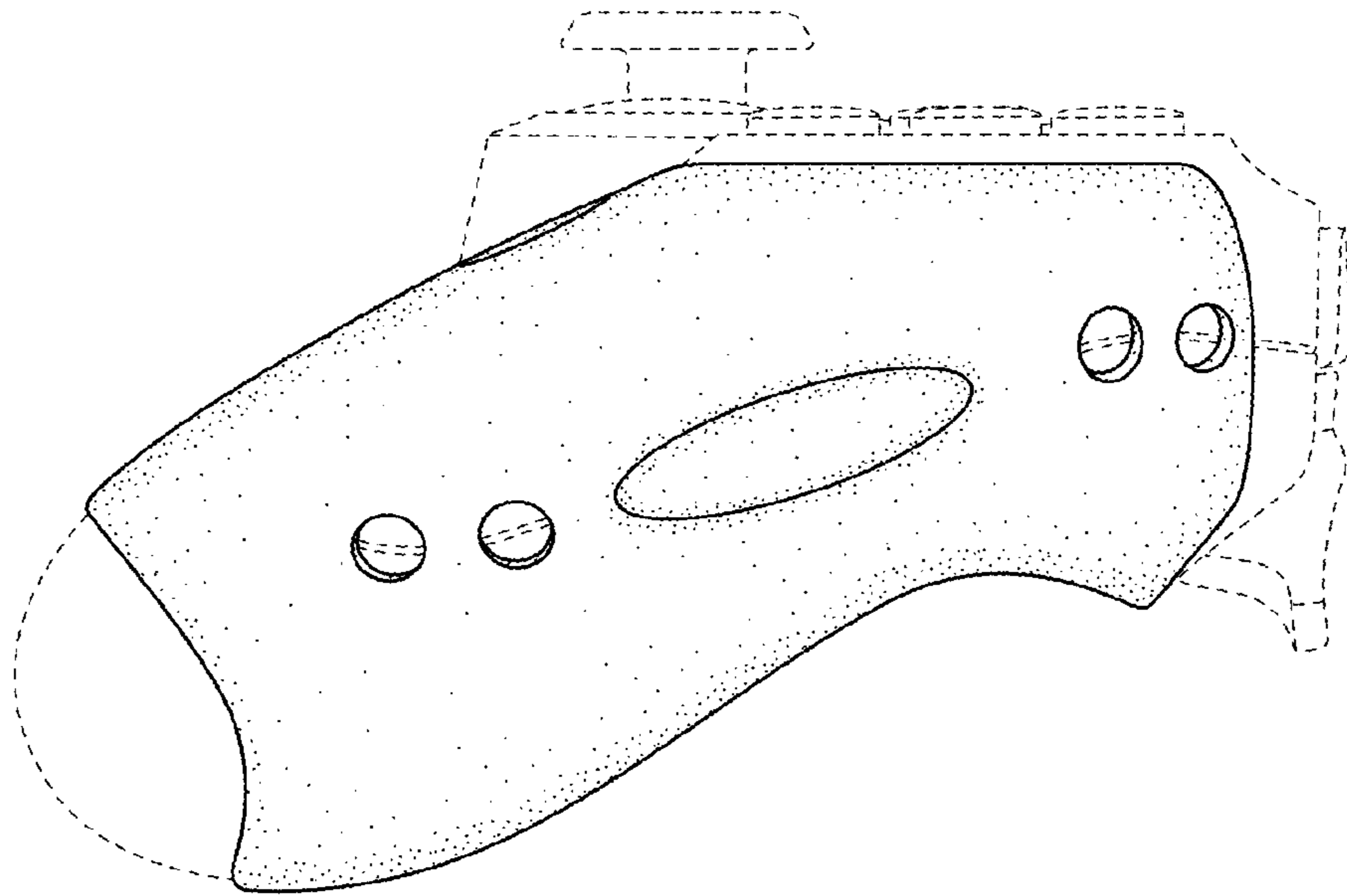


FIG. 4

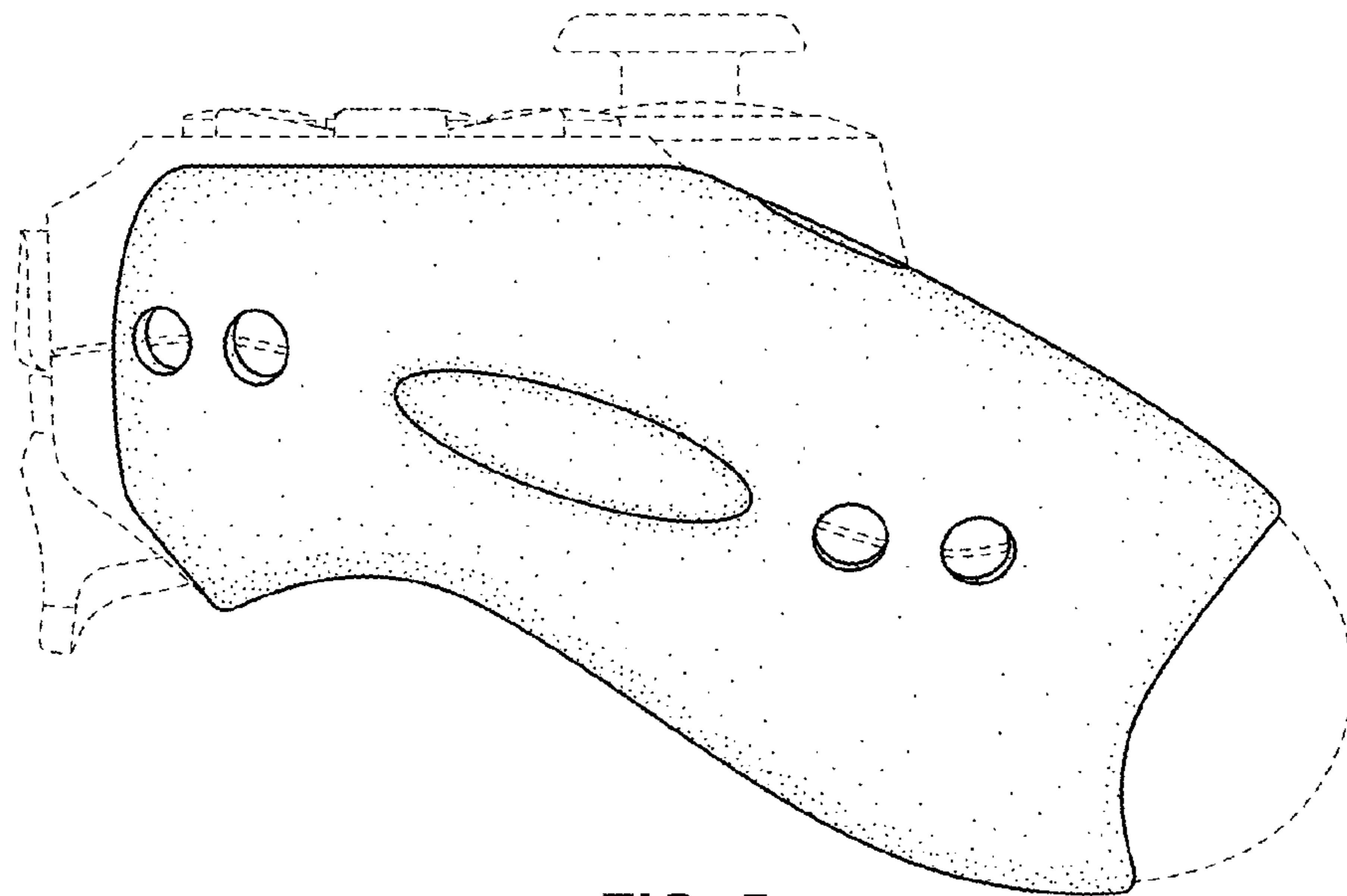


FIG. 5

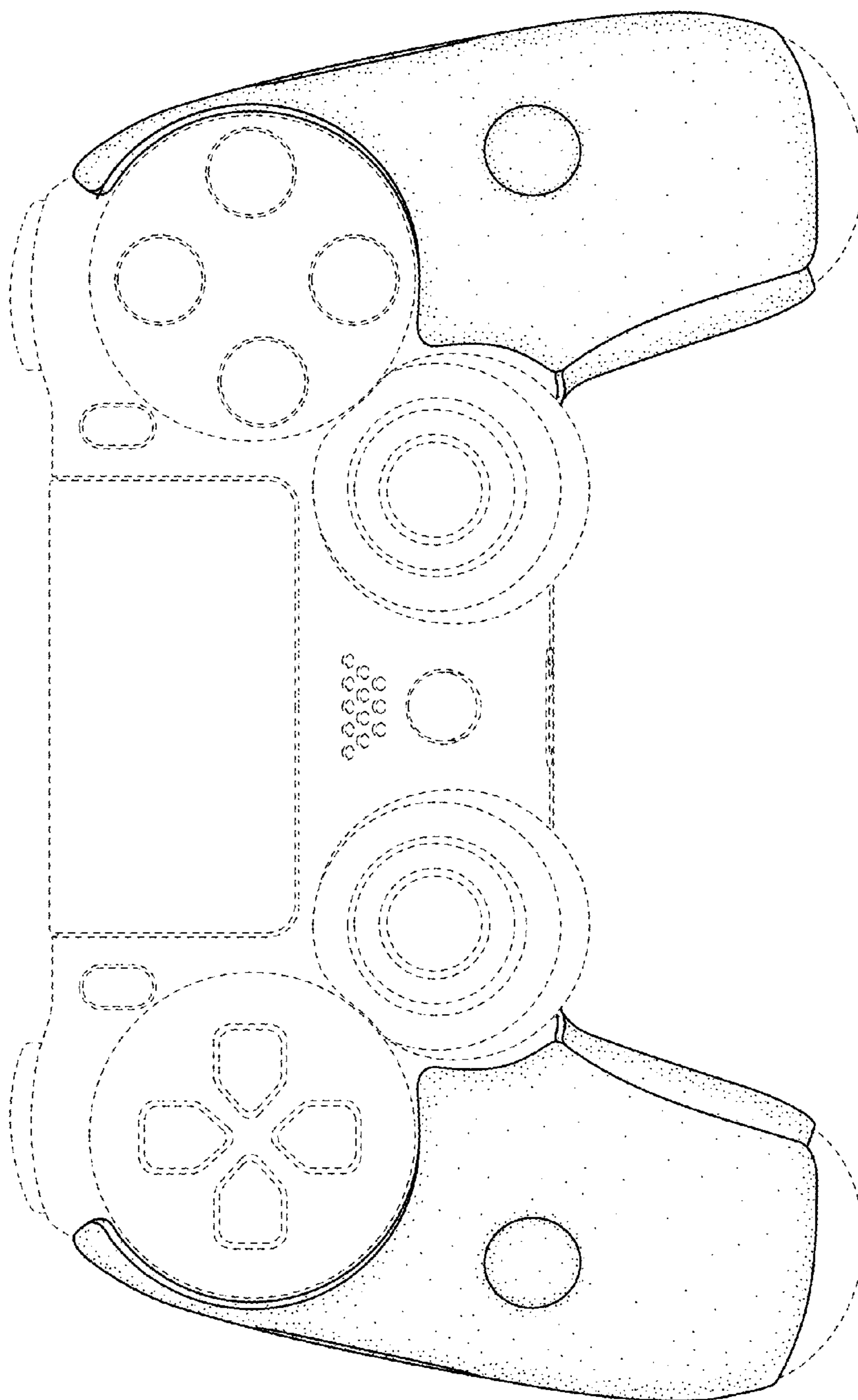


FIG. 6

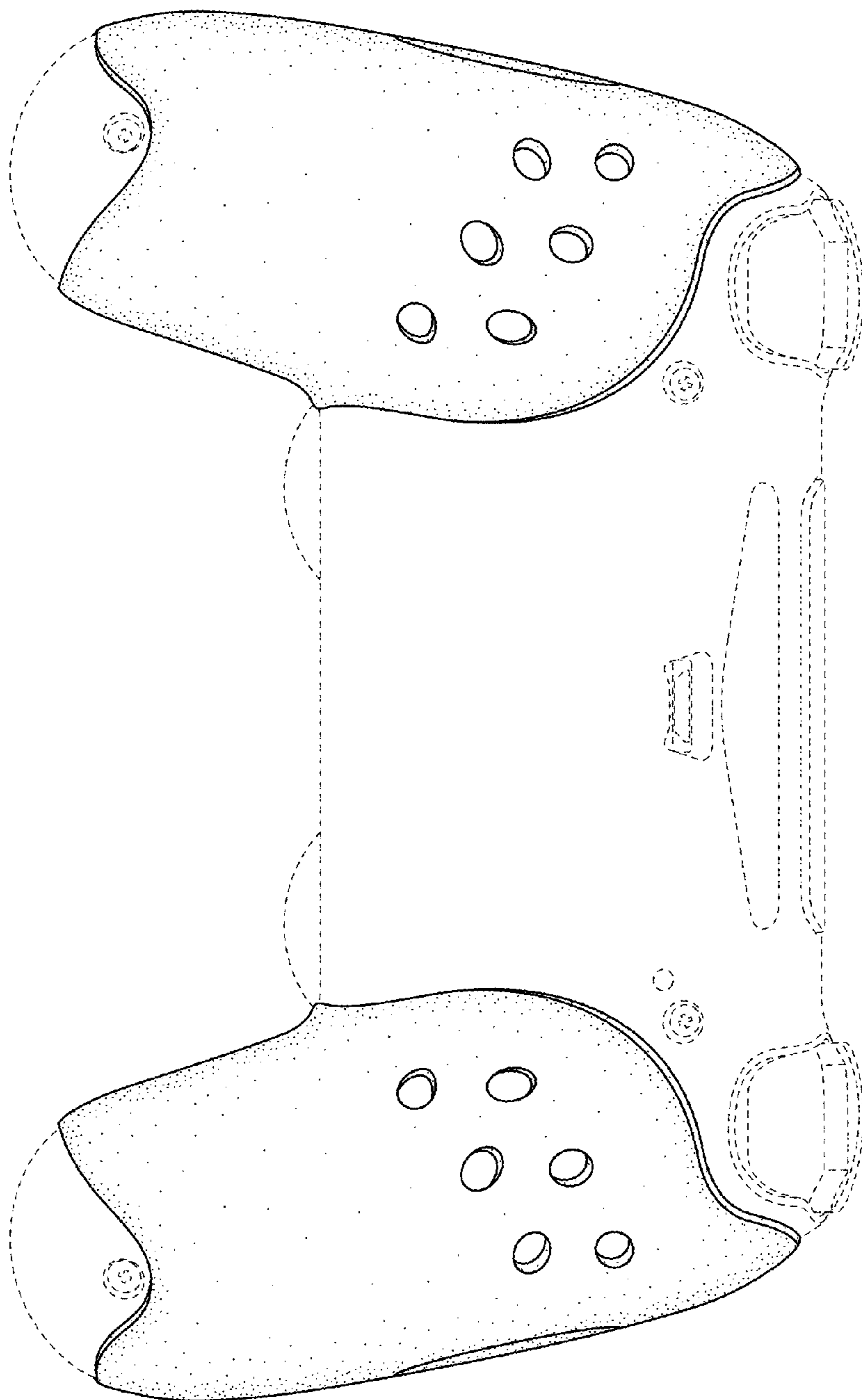


FIG. 7