



US00D736858S

(12) **United States Design Patent**
McPhillips

(10) **Patent No.:** **US D736,858 S**

(45) **Date of Patent:** **** Aug. 18, 2015**

(54) **PANEL DISPLAY PLATE**
(71) Applicant: **Atomic Design, Inc.**, Lititz, PA (US)
(72) Inventor: **Thomas McPhillips**, Manheim, PA (US)
(73) Assignee: **Atomic Design, Inc.**, Lititz, PA (US)
(**) Term: **14 Years**

5,036,641 A 8/1991 Viry
5,267,657 A * 12/1993 McGuiness et al. 211/22
5,344,115 A 9/1994 Mayne et al.
5,478,041 A 12/1995 Mayne
5,482,491 A * 1/1996 Kichijyo 446/112

(Continued)

FOREIGN PATENT DOCUMENTS

DE 102011015351 A1 10/2012
EP 1995508 A2 11/2008
FR 2851442 A1 2/2003

OTHER PUBLICATIONS

PCT Notification, International Search Report and Written Opinion,
International Application No. PCT/US2014/011055, dated Jun. 2,
2014, 10 pages.

(Continued)

Primary Examiner — Mary Ann Calabrese
(74) *Attorney, Agent, or Firm* — Barley Snyder

(57) **CLAIM**
The ornamental design for a panel display plate, as shown and
described.

DESCRIPTION

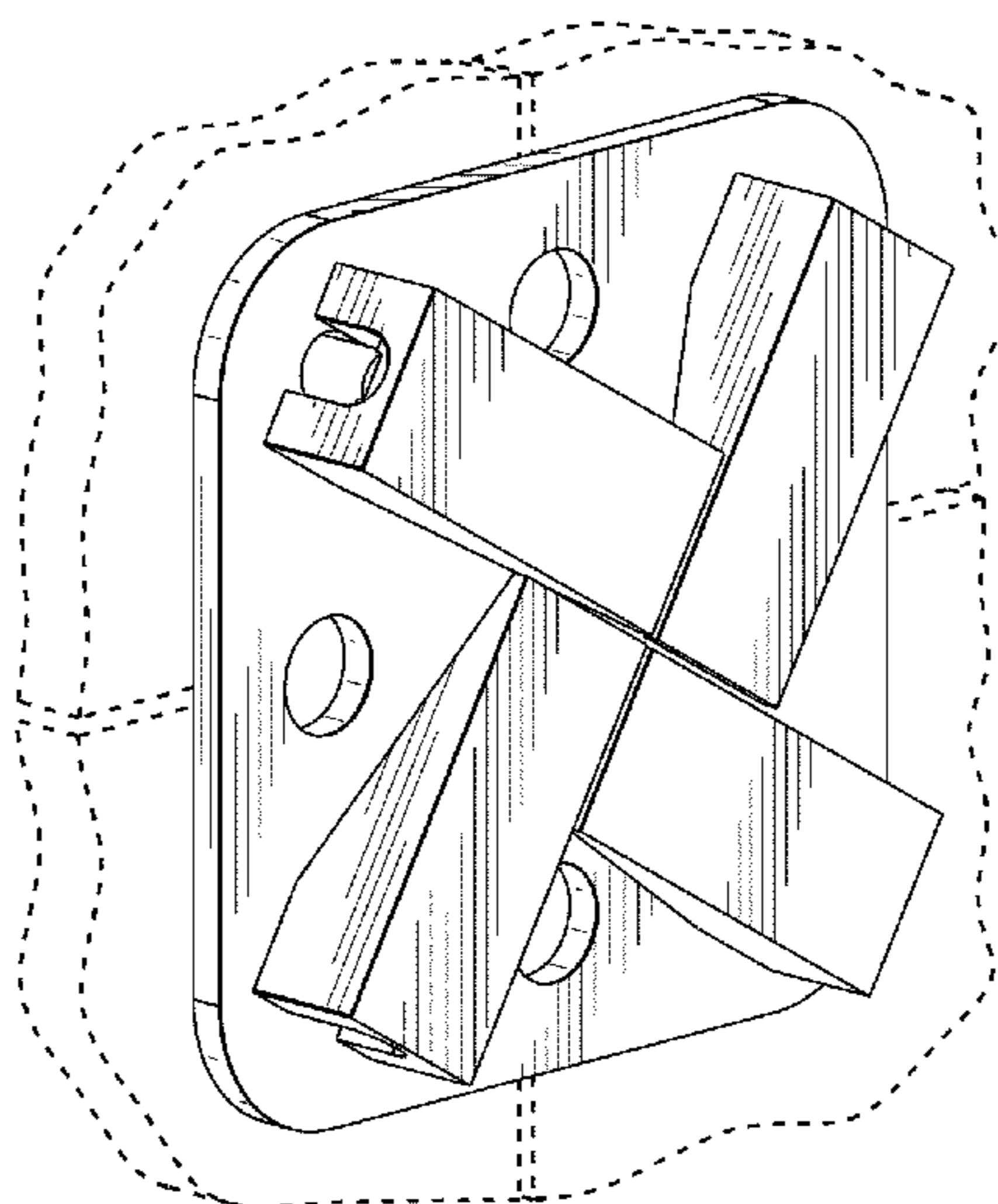
FIG. 1 is a front, top and right side perspective view of a panel
display plate, showing my new design;
FIG. 2 is a rear elevation view thereof;
FIG. 3 is a left side elevation view thereof;
FIG. 4 is a front elevation view thereof;
FIG. 5 is a right side elevation view thereof;
FIG. 6 is a top elevation view thereof;
FIG. 7 is a bottom elevation view thereof; and,
FIG. 8 is an exploded right side perspective view thereof.
The broken lines shown in the Figures are included to show
unclaimed subject matter only and form no part of the claimed
design.

1 Claim, 4 Drawing Sheets

(21) Appl. No.: **29/443,026**
(22) Filed: **Jan. 11, 2013**
(51) **LOC (10) Cl.** **20-03**
(52) **U.S. Cl.**
USPC **D20/43**
(58) **Field of Classification Search**
USPC D20/10, 19, 40-44, 99; 40/299.01, 446,
40/538, 541, 584, 600, 603-605, 607.14,
40/611.01, 611.12, 611.13, 612, 615, 617,
40/618, 620, 621; D8/349, 354, 373, 382;
D10/109.1, 113.4; D21/484, 489, 491;
16/82, 87 R; 24/326, 336, 340;
52/285.1; 211/22, 195; 446/108, 109,
446/111-113, 115, 120, 123
CPC ... A63H 33/10; A63H 33/101; A63H 33/107;
A63H 33/108; A63H 33/062; A47G 1/16;
A47B 47/0033; A47B 47/0066; A47F 7/146
See application file for complete search history.

(56) **References Cited**
U.S. PATENT DOCUMENTS

1,525,515 A 2/1925 Socha
2,970,396 A 2/1961 Worrell
3,426,913 A 2/1969 Abatiell, Jr.
3,537,199 A 11/1970 Lawson
3,571,999 A 3/1971 Downing
3,593,474 A 7/1971 Neels
3,596,701 A 8/1971 Cowan
3,936,111 A 2/1976 Mazzucconi
4,001,987 A 1/1977 Coulthard
4,114,160 A 9/1978 Verini



(56)

References Cited

U.S. PATENT DOCUMENTS

5,671,852 A 9/1997 Maharg
 5,722,477 A 3/1998 Richter et al.
 5,871,384 A * 2/1999 Kichijo 446/112
 5,993,287 A 11/1999 Melashenko et al.
 6,340,046 B1 1/2002 Basseches
 6,370,803 B1 4/2002 Burquest
 6,702,640 B1 3/2004 Park
 6,718,709 B2 * 4/2004 Koutras et al. 52/285.1
 D618,282 S 6/2010 Kosir
 7,841,115 B2 * 11/2010 Saunders-Singer 40/600
 7,874,090 B2 1/2011 Flagg
 7,908,718 B2 * 3/2011 Glasser 24/336
 8,051,535 B2 * 11/2011 Cheng 16/82
 8,069,632 B2 12/2011 Li

8,109,803 B2 * 2/2012 Kichijo et al. 446/109
 D705,874 S * 5/2014 Norman et al. D21/491
 D708,504 S 7/2014 Kaplan
 D709,203 S 7/2014 Shikata
 2002/0154789 A1 10/2002 Rodgers
 2003/0000904 A1 1/2003 Lung et al.
 2004/0089782 A1 5/2004 Eliason et al.
 2007/0107853 A1 5/2007 Hsieh
 2014/0183309 A1 7/2014 Pasho
 2014/0197123 A1 * 7/2014 McPhillips 211/195

OTHER PUBLICATIONS

Installation Instructions for Pillow Wall, by Atomic, www.atomicrental.tv, 717-626-4408, dated Nov. 25, 2013, 1 page.

* cited by examiner

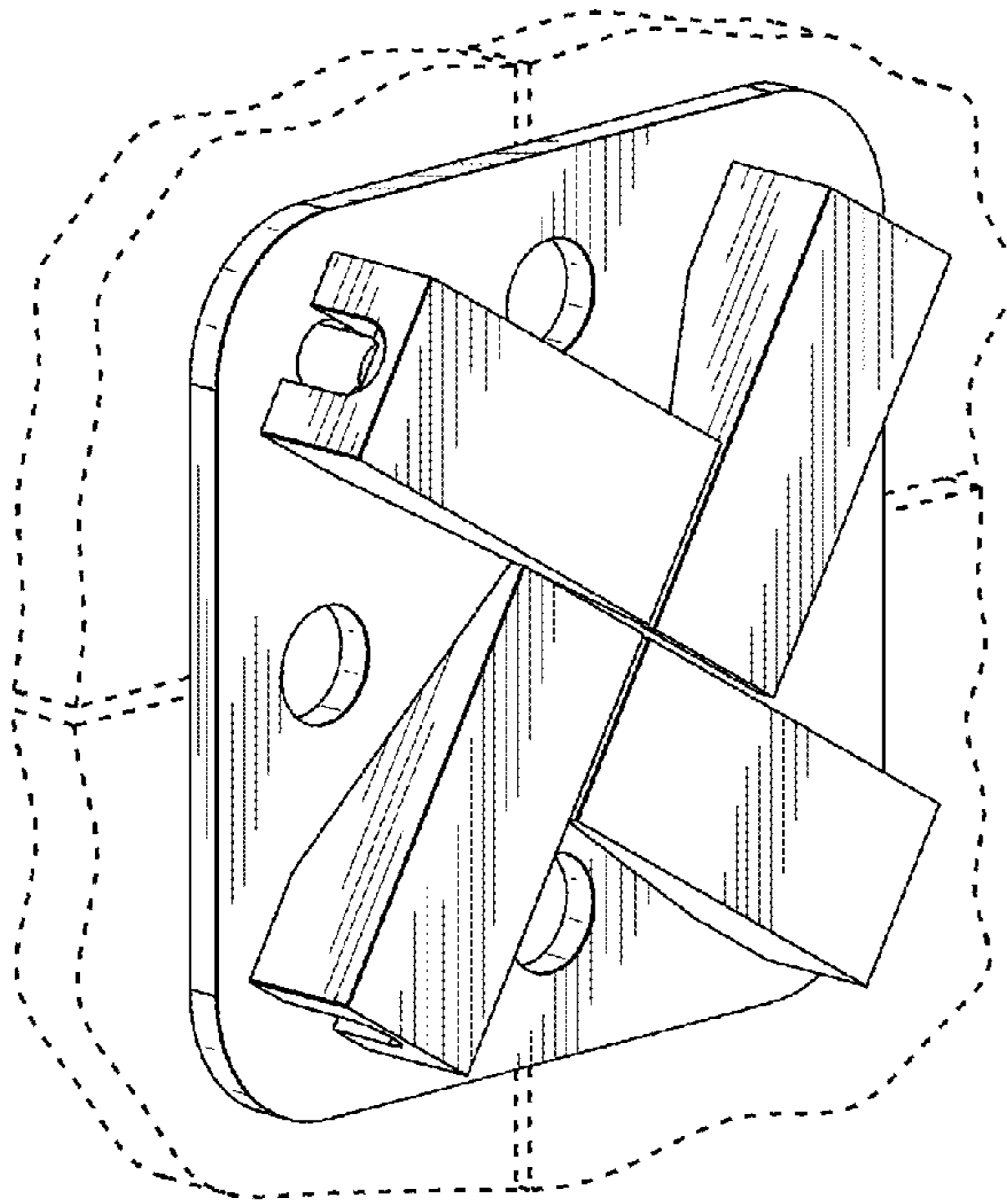


FIG. 1

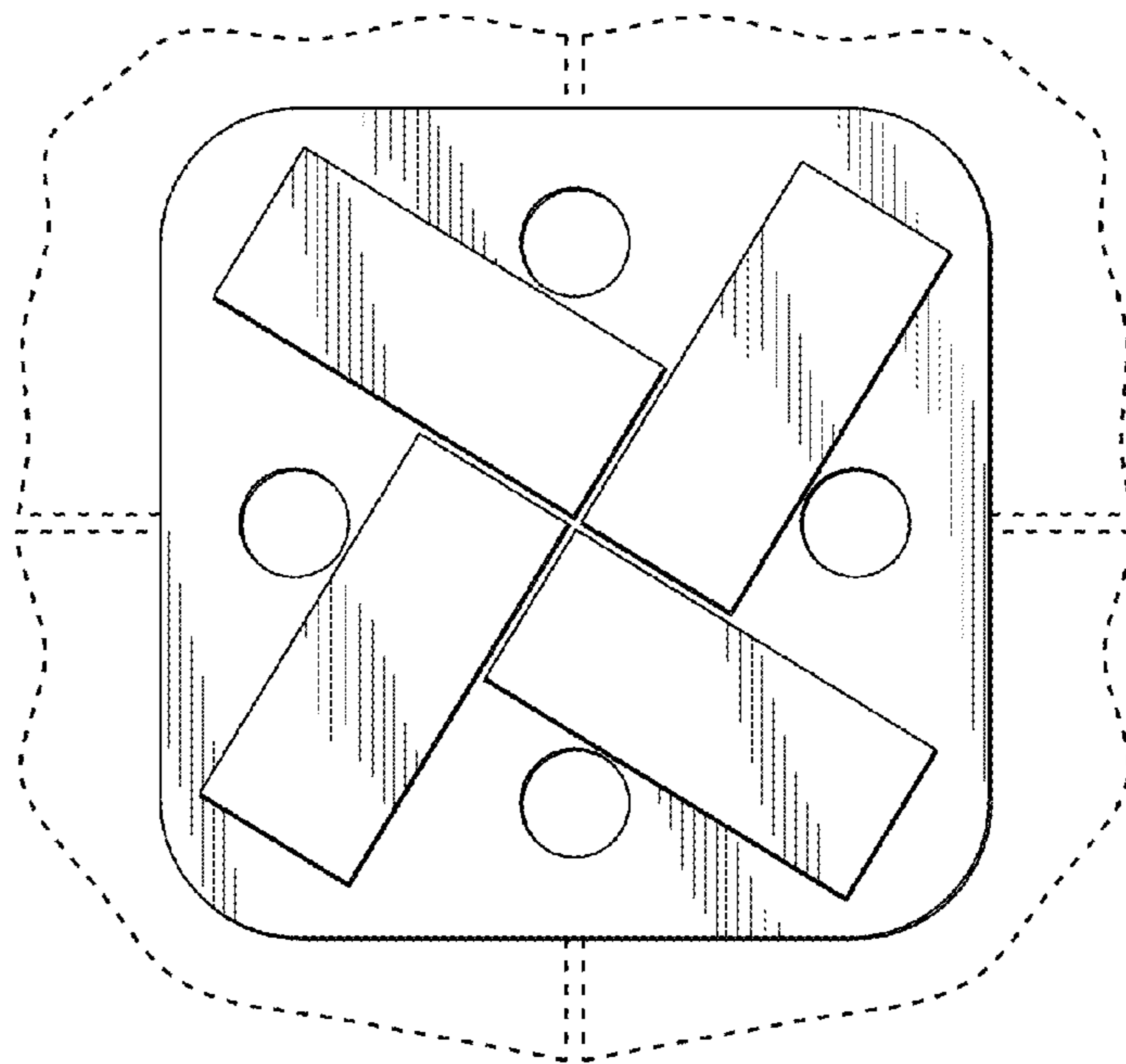


FIG. 2

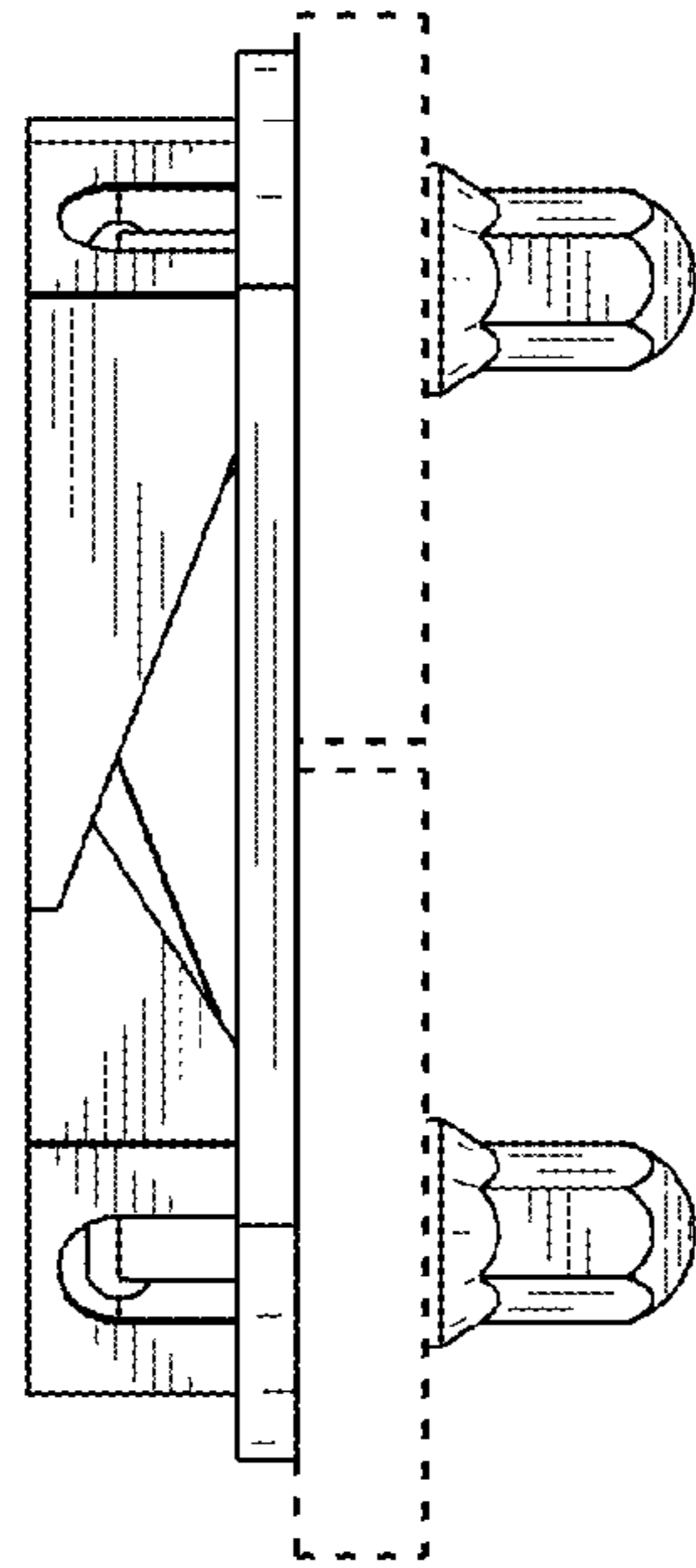


FIG. 3

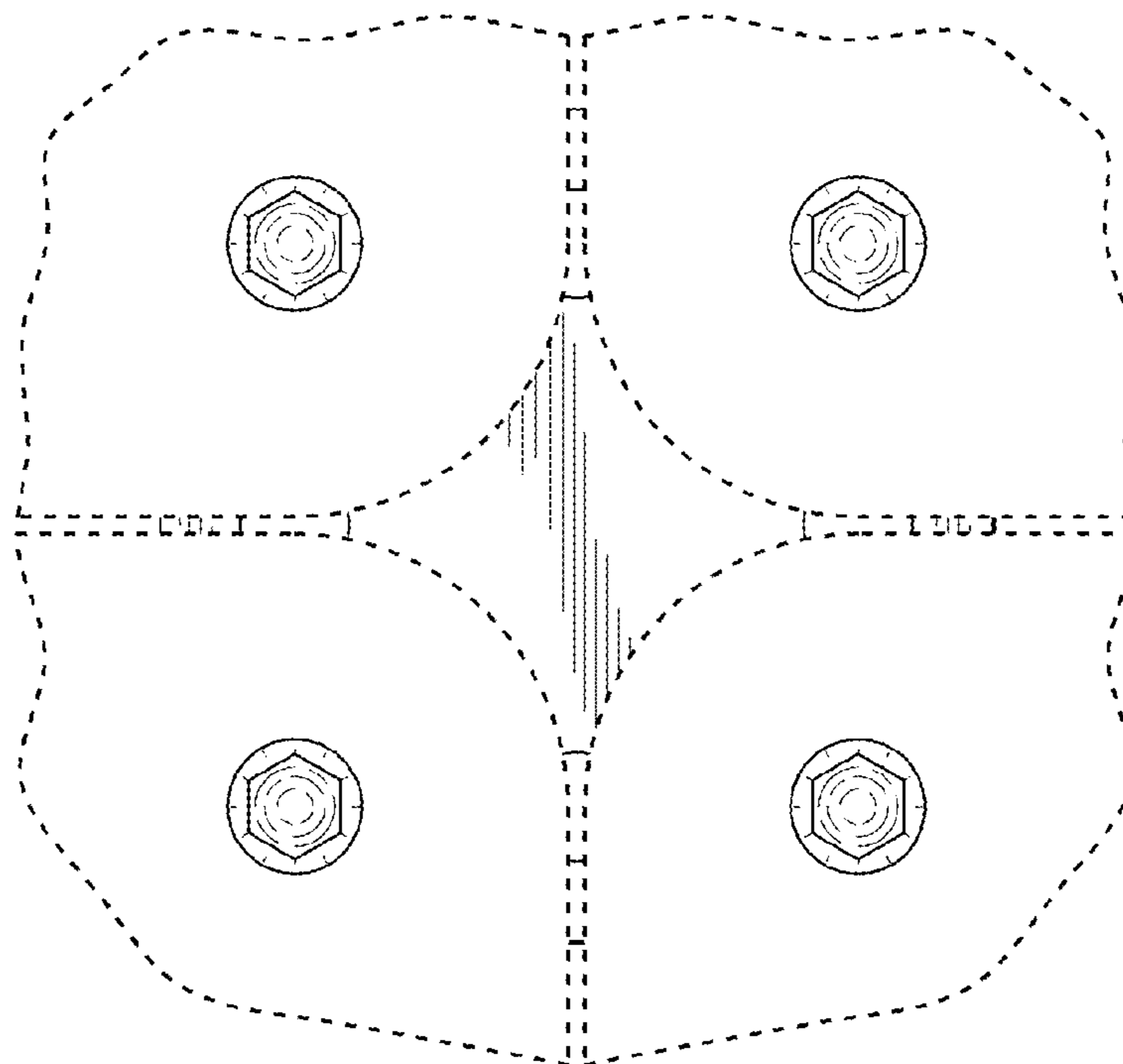


FIG. 4

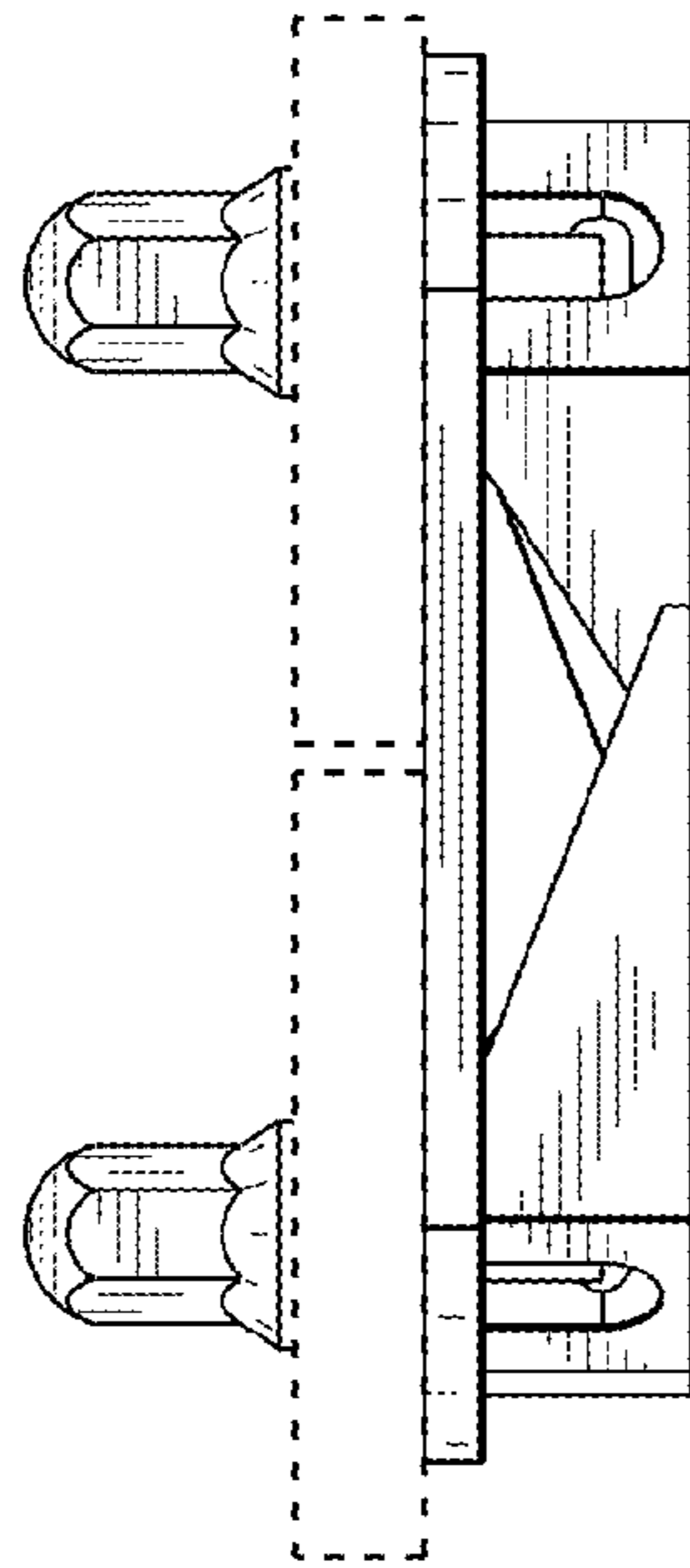


FIG. 5

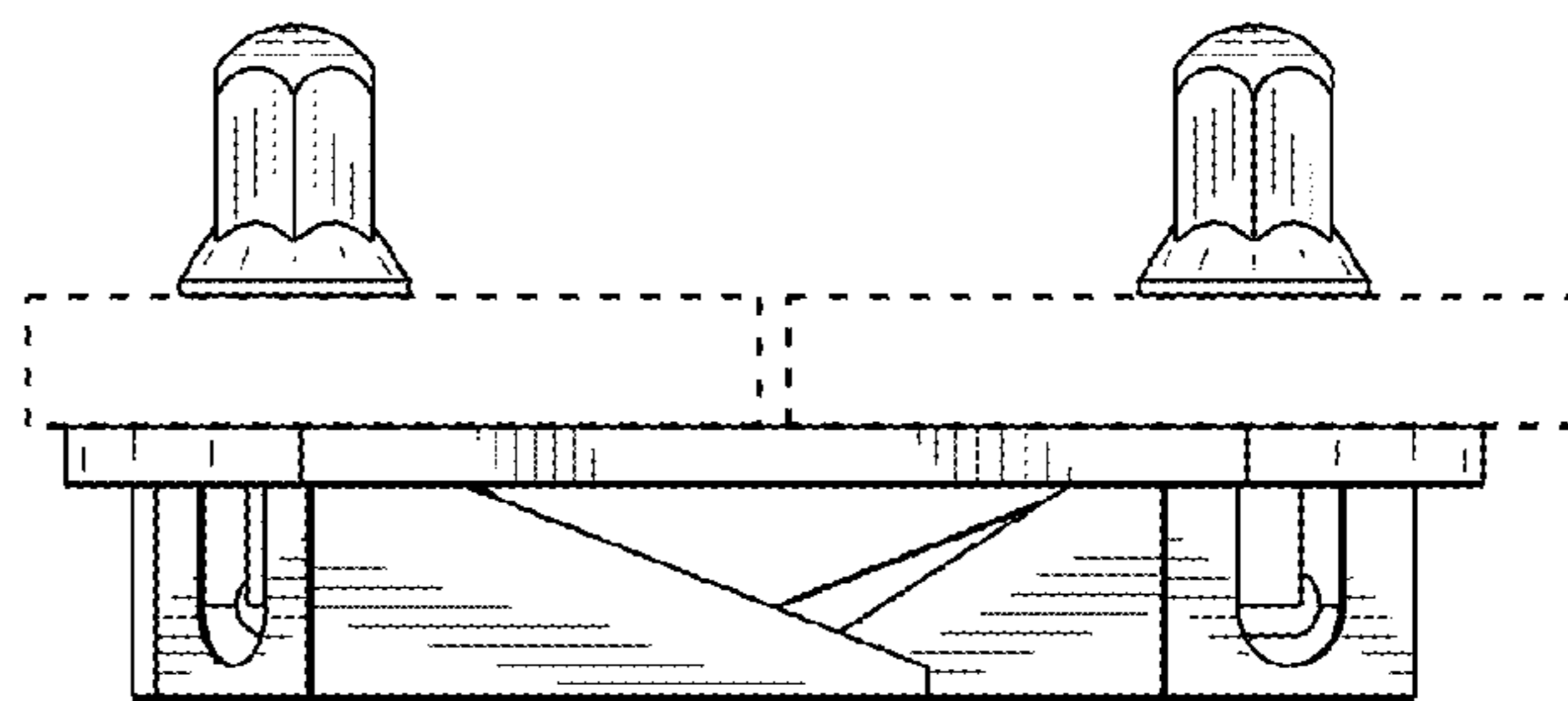


FIG. 6

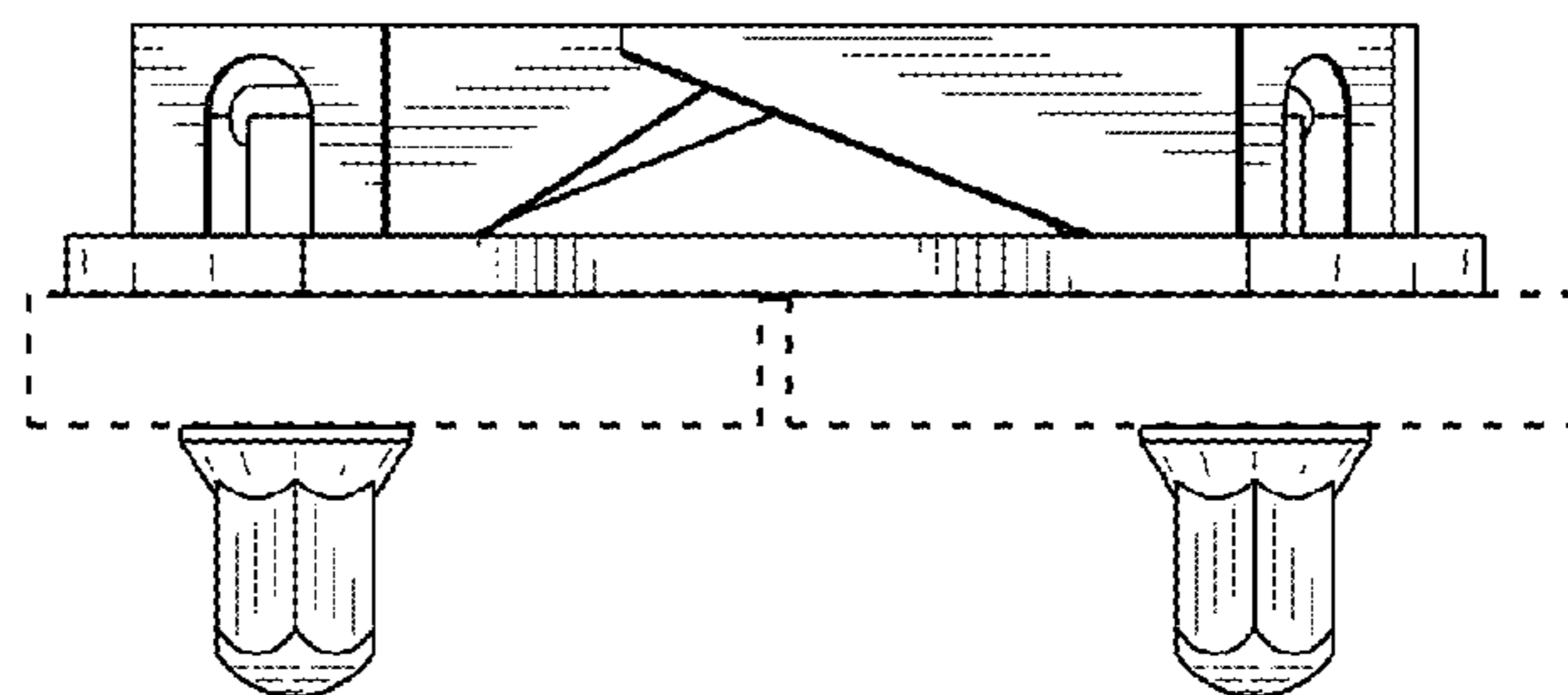


FIG. 7

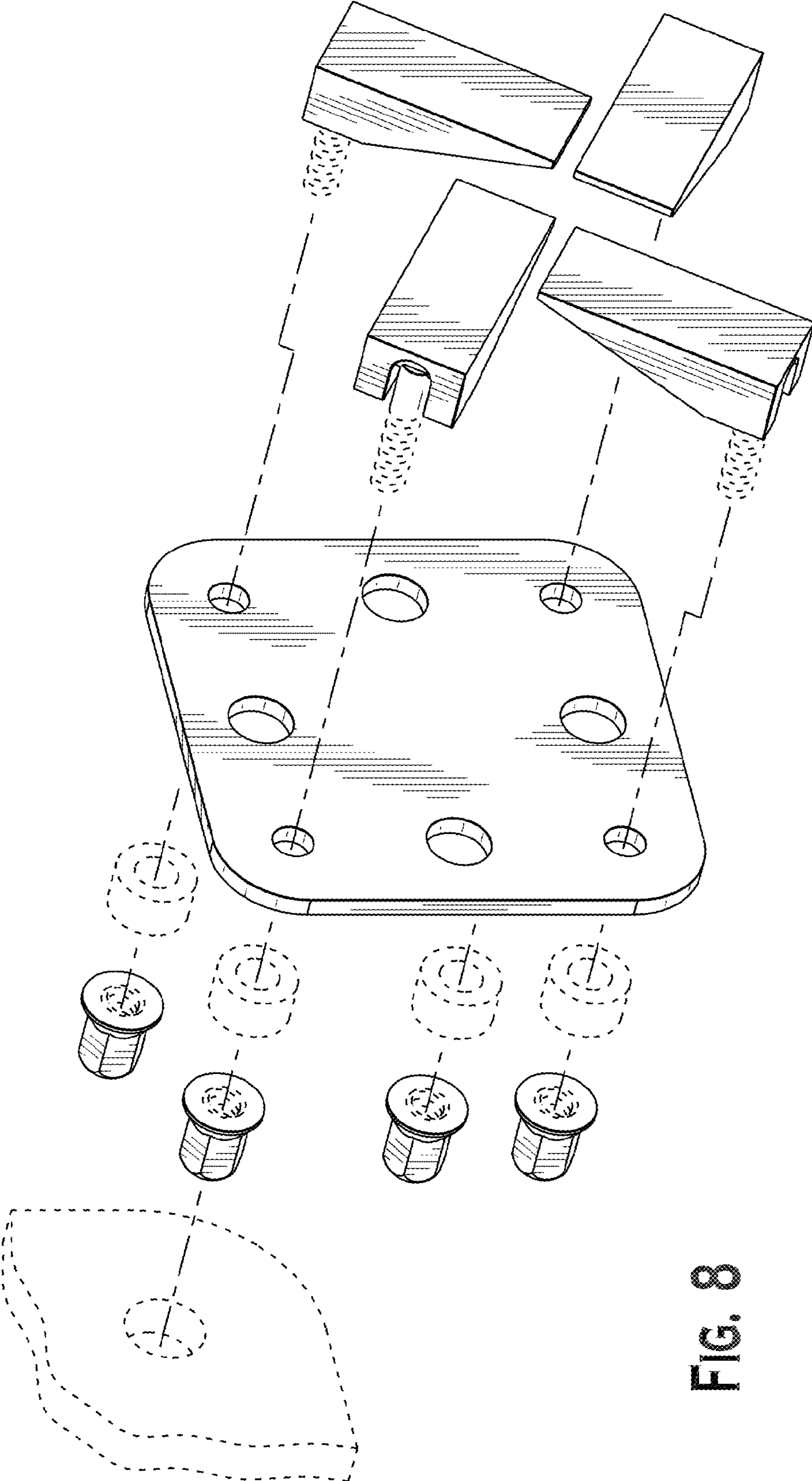


FIG. 8