

US00D736857S

(12) **United States Design Patent**
Kodama et al.

(10) **Patent No.:** **US D736,857 S**

(45) **Date of Patent:** **** Aug. 18, 2015**

(54) **COIN DISCRIMINATOR FOR AN
AUTOMATIC VENDING MACHINE**

(71) Applicant: **NIPPON CONLUX CO., LTD.**,
Sakado-shi, Saitama (JP)

(72) Inventors: **Yasuyuki Kodama**, Sakado (JP);
Nobutaka Takefuta, Sakado (JP);
Takahiro Hayashi, Sakado (JP);
Akihiro Nobuhara, Sakado (JP);
Masashi Kondo, Sakado (JP)

(73) Assignee: **NIPPON CONLUX CO., LTD.**,
Sakado-shi (JP)

(**) Term: **14 Years**

(21) Appl. No.: **29/500,666**

(22) Filed: **Aug. 27, 2014**

(51) **LOC (10) Cl.** **20-01**

(52) **U.S. Cl.**
USPC **D20/9**

(58) **Field of Classification Search**
USPC D20/1-9; D99/28; D6/515;
D18/3.1-3.3, 12.1
CPC G07F 9/00; G07F 9/02; G07F 9/026;
G07F 9/06; G07F 9/08; G07F 11/00; G07F
11/07; G07F 11/02; G07F 11/06; G07F 11/10;
G07F 11/24; G07F 11/21; G07F 11/38;
G07F 11/62; G07F 11/65; G07F 13/00;
G07F 13/10; G07F 17/42

See application file for complete search history.

(56) **References Cited**

U.S. PATENT DOCUMENTS

D286,895	S	*	11/1986	Chalabian	D20/8
D360,228	S	*	7/1995	Dabrowski	D20/8
D370,031	S	*	5/1996	Dabrowski	D20/8
5,890,440	A	*	4/1999	Spur	109/47
D422,639	S	*	4/2000	Bell et al.	D20/9
6,504,890	B1	*	1/2003	Cheng	377/7
D500,761	S	*	1/2005	Roatis et al.	D20/8
D514,624	S	*	2/2006	Roatis et al.	D20/8
D567,868	S	*	4/2008	Myers et al.	D20/8
2009/0108014	A1	*	4/2009	Riley	221/3

* cited by examiner

Primary Examiner — Mary Ann Calabrese

(74) *Attorney, Agent, or Firm* — Oliff PLC

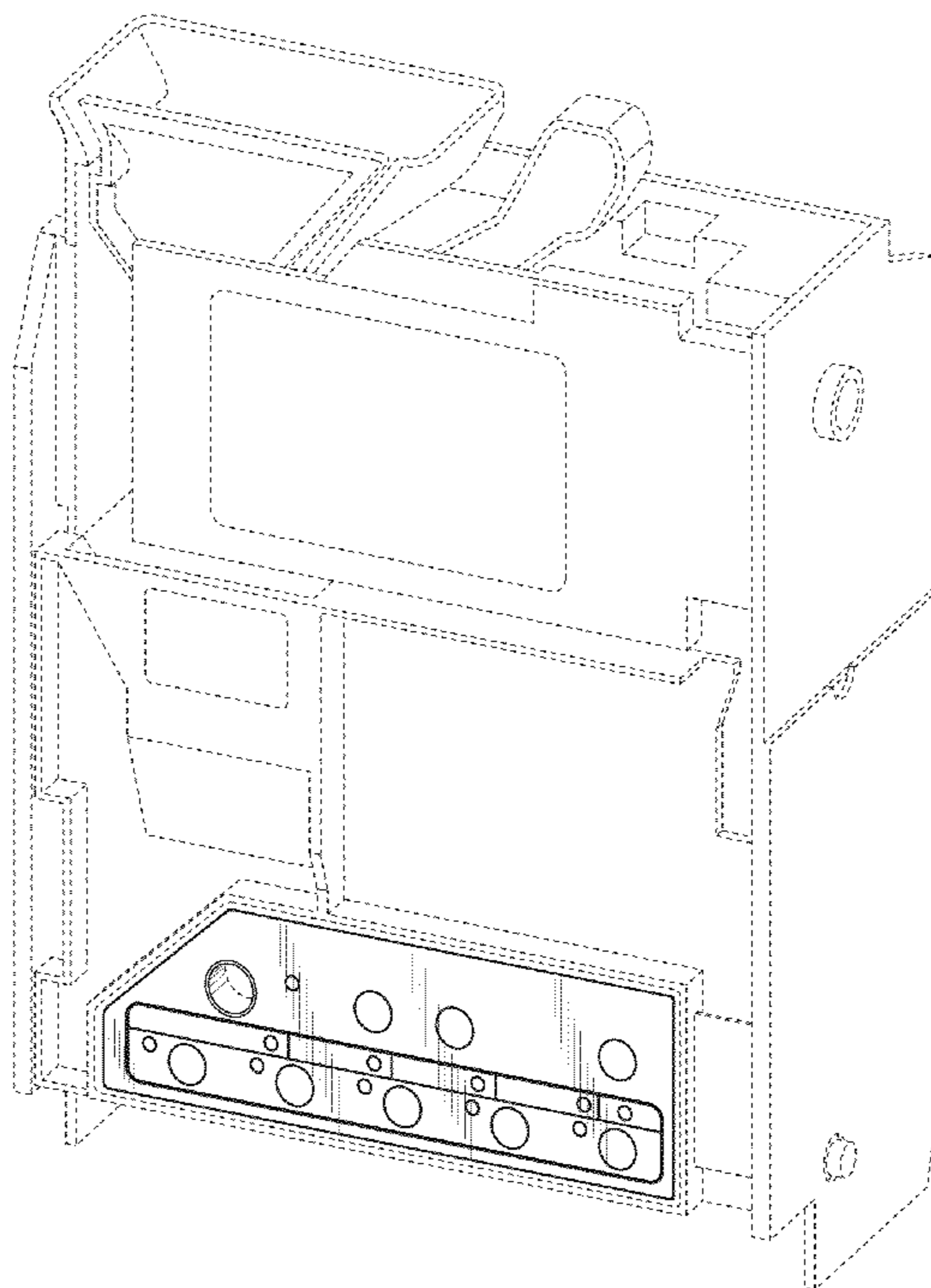
(57) **CLAIM**

The ornamental design for a coin discriminator for an automatic vending machine, as shown and described.

DESCRIPTION

FIG. 1 is a front, top, right-side, perspective view of the coin discriminator for an automatic vending machine; FIG. 2 is a front elevational view thereof; FIG. 3 is a rear elevational view thereof; FIG. 4 is a left-side elevational view thereof; FIG. 5 is a right-side elevational view thereof; FIG. 6 is a top plan view thereof; and, FIG. 7 is a bottom plan view thereof. The broken lines depict environmental subject matter only and form no part of the claimed design.

1 Claim, 7 Drawing Sheets



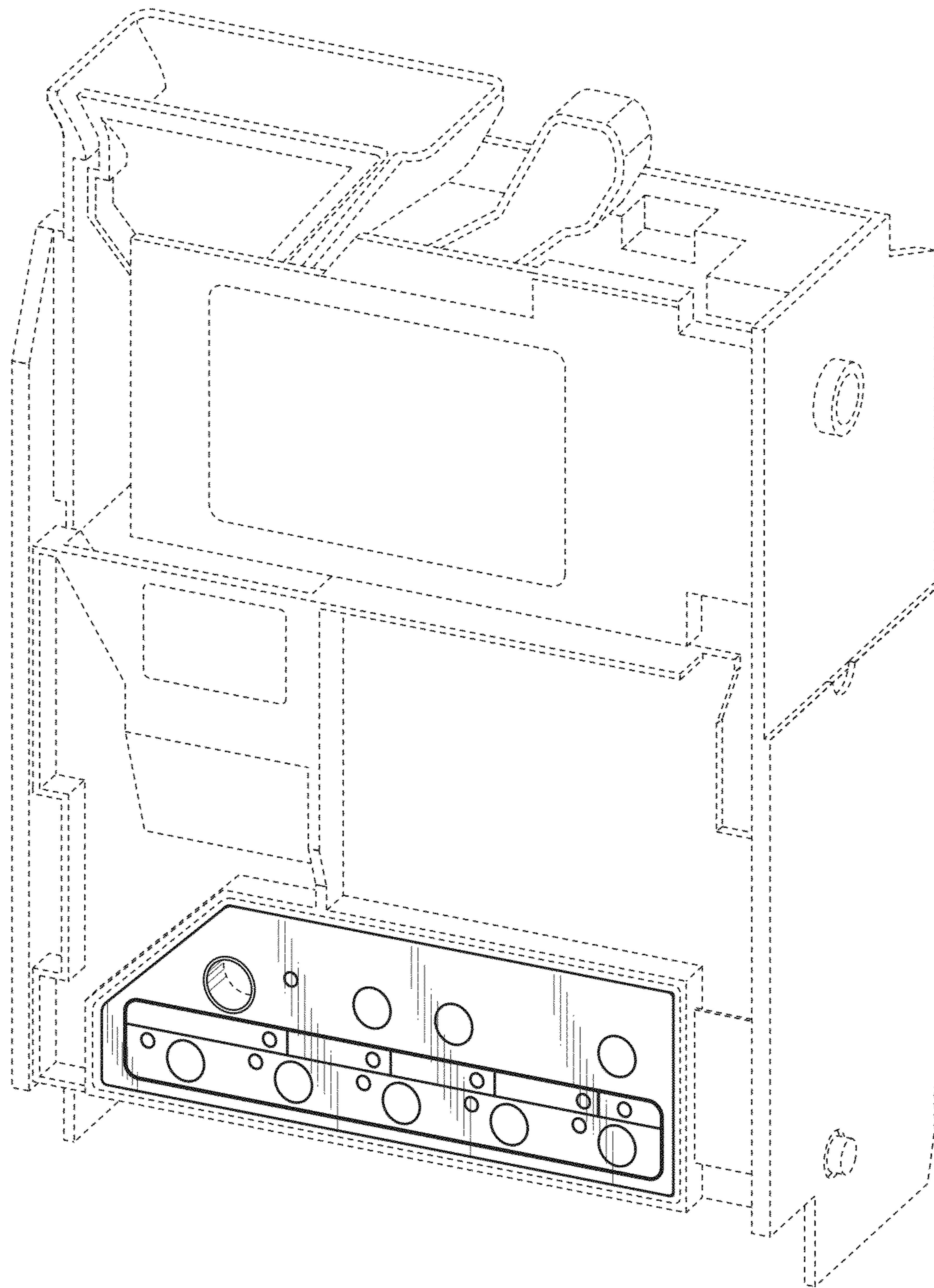


FIG. 1

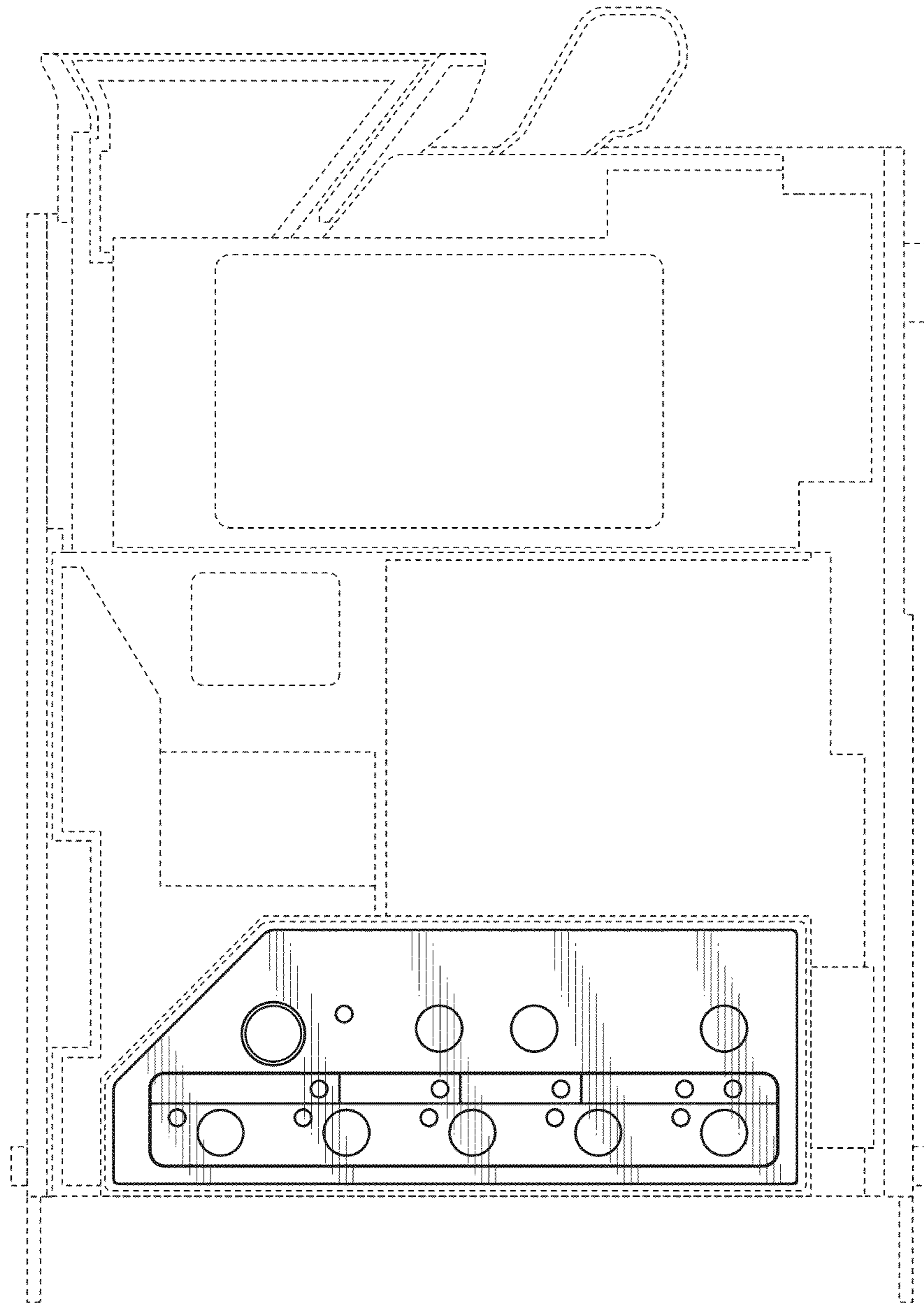


FIG. 2

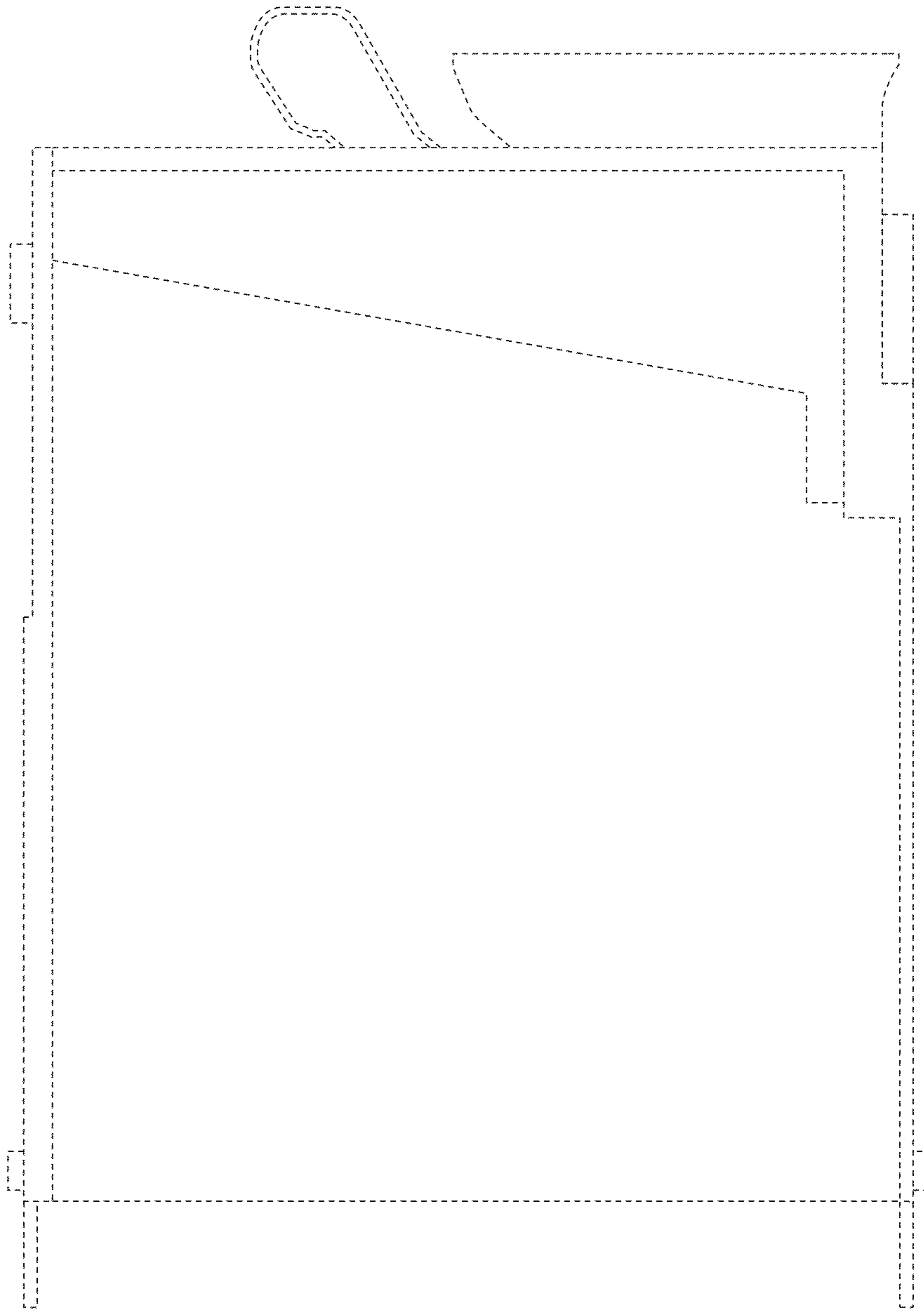


FIG. 3

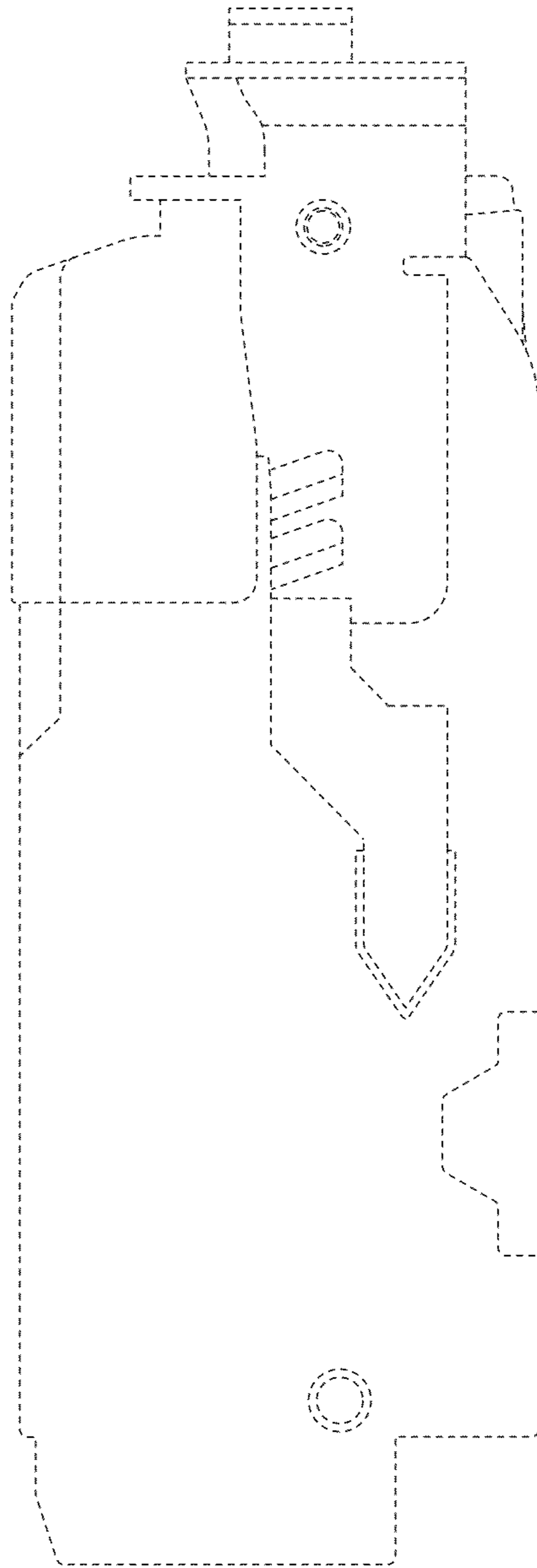


FIG. 4

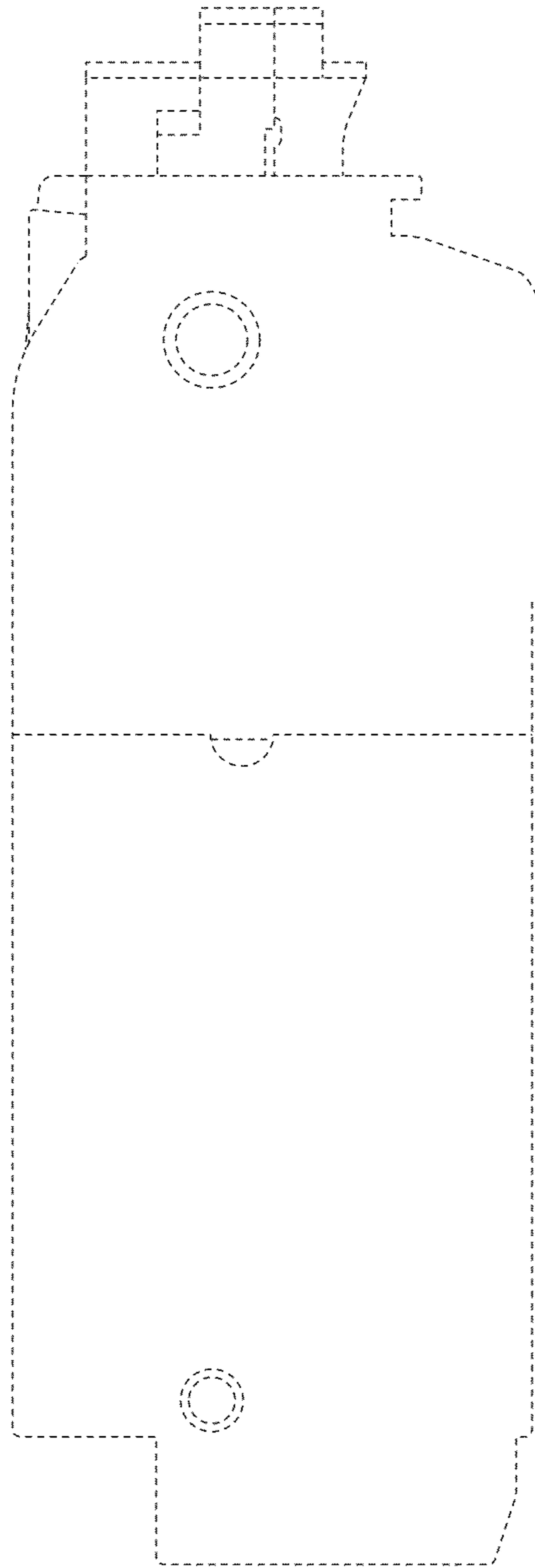


FIG. 5

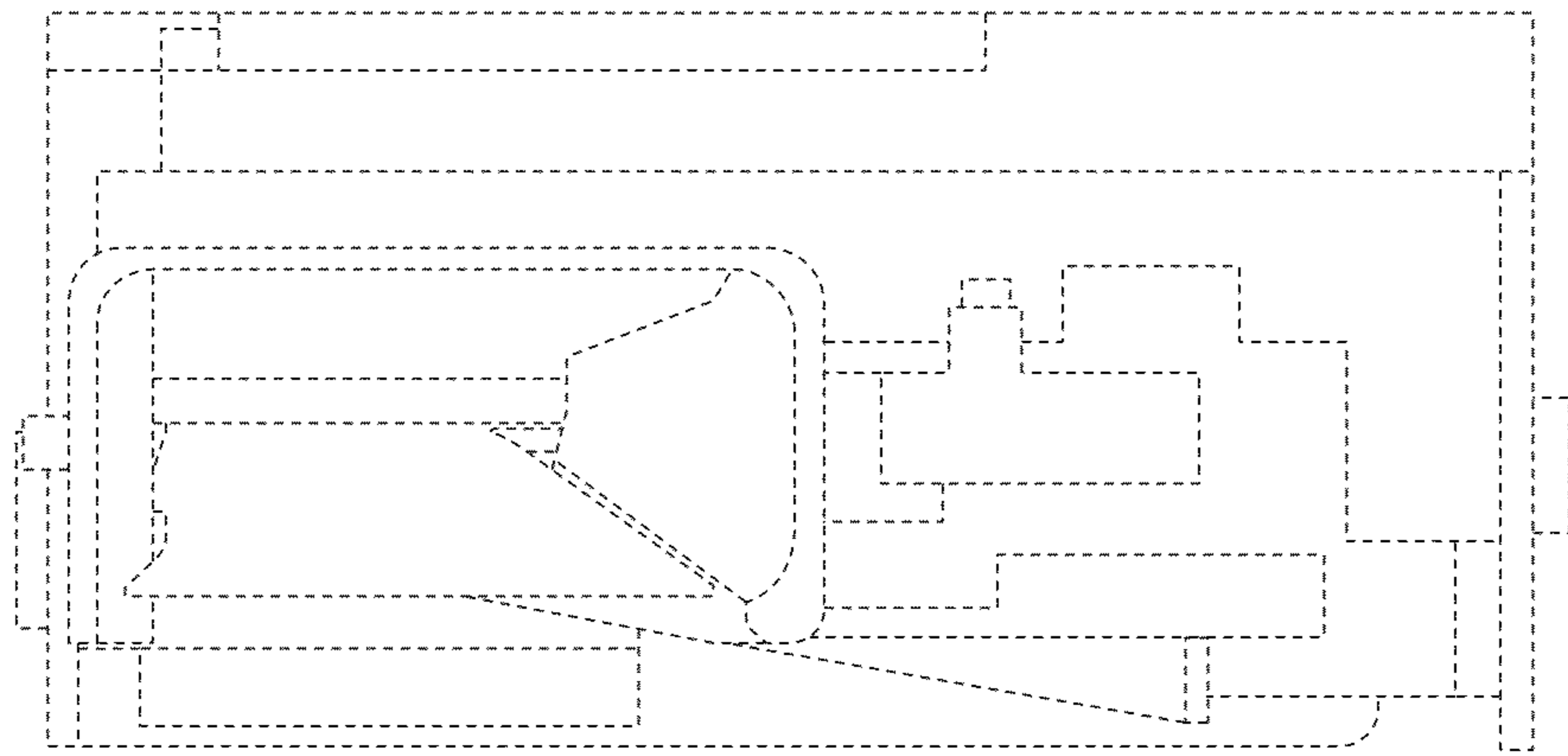


FIG.6

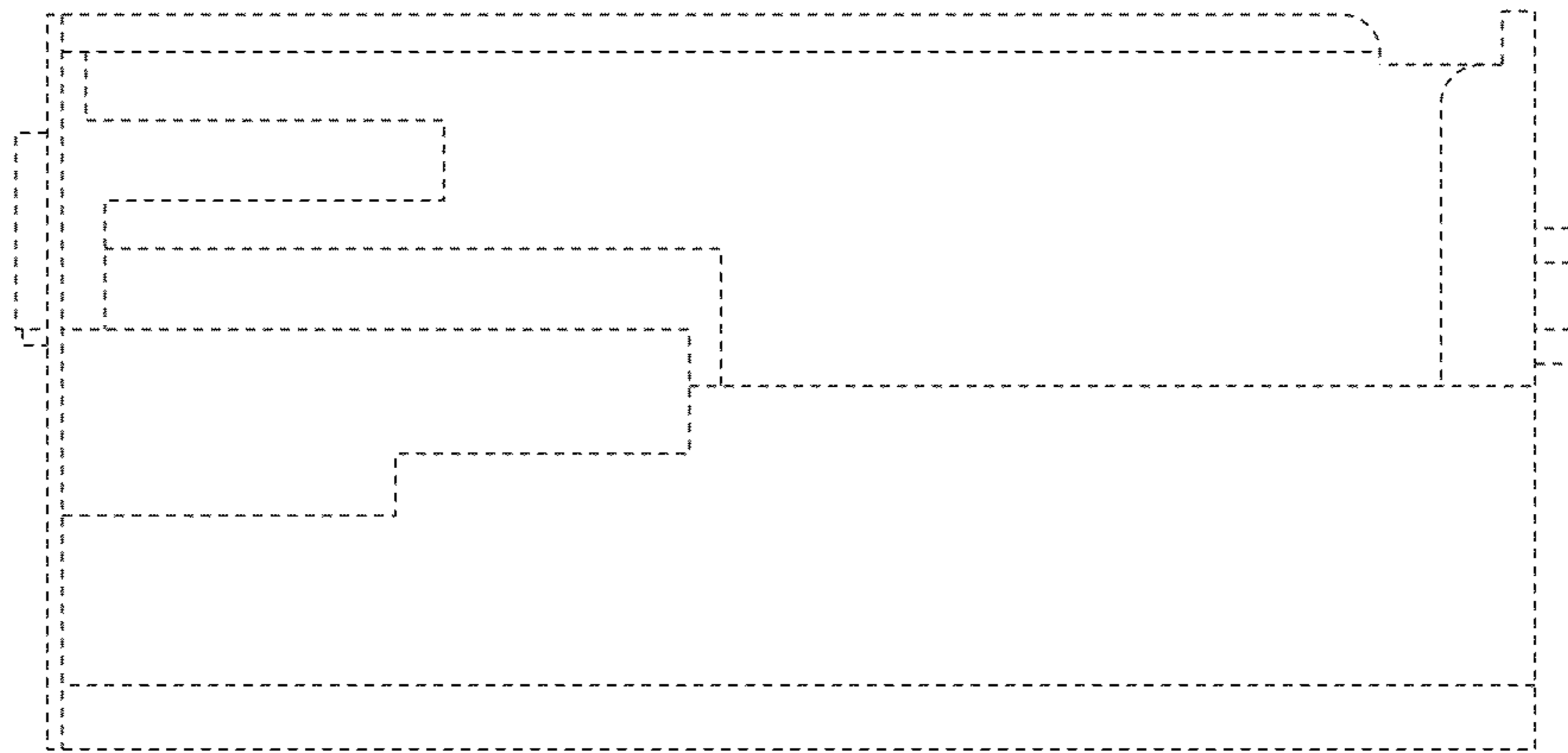


FIG. 7