



US00D736852S

(12) **United States Design Patent**  
**Kuehn et al.**

(10) **Patent No.:** **US D736,852 S**  
(45) **Date of Patent:** **\*\* Aug. 18, 2015**

(54) **PERPETUAL CALENDAR**

(71) Applicant: **Target Brands, Inc.**, Minneapolis, MN (US)

(72) Inventors: **Thomas P. Kuehn**, St. Louis Park, MN (US); **Katherine E. Larson**, Minneapolis, MN (US)

(73) Assignee: **Target Brands, Inc.**, Minneapolis, MN (US)

(\*\*) Term: **14 Years**

(21) Appl. No.: **29/457,398**

(22) Filed: **Jun. 10, 2013**

(51) **LOC (10) Cl.** ..... **19-03**

(52) **U.S. Cl.**  
USPC ..... **D19/25**

(58) **Field of Classification Search**  
USPC ..... D19/1-12, 20-34, 75-77, 86, 59, 91;  
40/124.01-124.15, 726, 109-110, 107,  
40/113-118, 358, 649, 642.02; 283/2-3;  
D20/10, 20, 27, 40, 15, 43; 368/28,  
368/276-278; D10/15, 2-3; 206/214-215;  
281/44; 248/148; 211/13.1, 50, 24

See application file for complete search history.

(56) **References Cited**

**U.S. PATENT DOCUMENTS**

D161,840	S	2/1951	Hopp	
3,333,356	A	8/1967	Bosland	
3,564,741	A	2/1971	Kahre et al.	
3,670,436	A *	6/1972	Weissman	40/107
3,916,172	A *	10/1975	Engle, Jr.	377/20
3,930,326	A	1/1976	Rosa	
D258,811	S *	4/1981	You	D10/3
4,472,892	A *	9/1984	Yang	40/107
D292,715	S *	11/1987	Hill	D19/25
D297,244	S *	8/1988	Kennedy	D19/25
D427,237	S *	6/2000	Chu et al.	D19/21
D427,630	S *	7/2000	Chu et al.	D19/21

D428,054	S *	7/2000	Hayashi	D19/21
D442,210	S *	5/2001	Chan	D18/2
7,397,731	B2	7/2008	Scurlock et al.	
D684,625	S *	6/2013	Andre	D19/20
D685,025	S *	6/2013	Andre	D19/20

**OTHER PUBLICATIONS**

Etsy, "Vintage 1970s Wood Perpetual Desk Calendar," <http://www.etsy.com/listing/97688296/vintage-1970s-wood-perpetual-desk>, at least as early as May 2013, 1 page.

Houzz, "Wood Shuffle Desktop Calendar," <http://www.houzz.com/photos/products/daily-desk-calendars>, at least as early as May 2013, 1 page.

(Continued)

*Primary Examiner* — Caron D Veynar

*Assistant Examiner* — Abraham Bahta

(74) *Attorney, Agent, or Firm* — Leanne Taveggia Farrell; Westman, Champlin & Koehler, P.A.

(57) **CLAIM**

The ornamental design for a perpetual calendar, as shown and described.

**DESCRIPTION**

FIG. 1 is a cross section view taken along section line 4-4 of FIG. 3;

FIG. 2 is a second perspective view thereof;

FIG. 3 is a top view thereof;

FIG. 4 is a cross section view taken along section line 4-4 of FIG. 3;

FIG. 5 is a side view thereof, the opposing side being a mirror image;

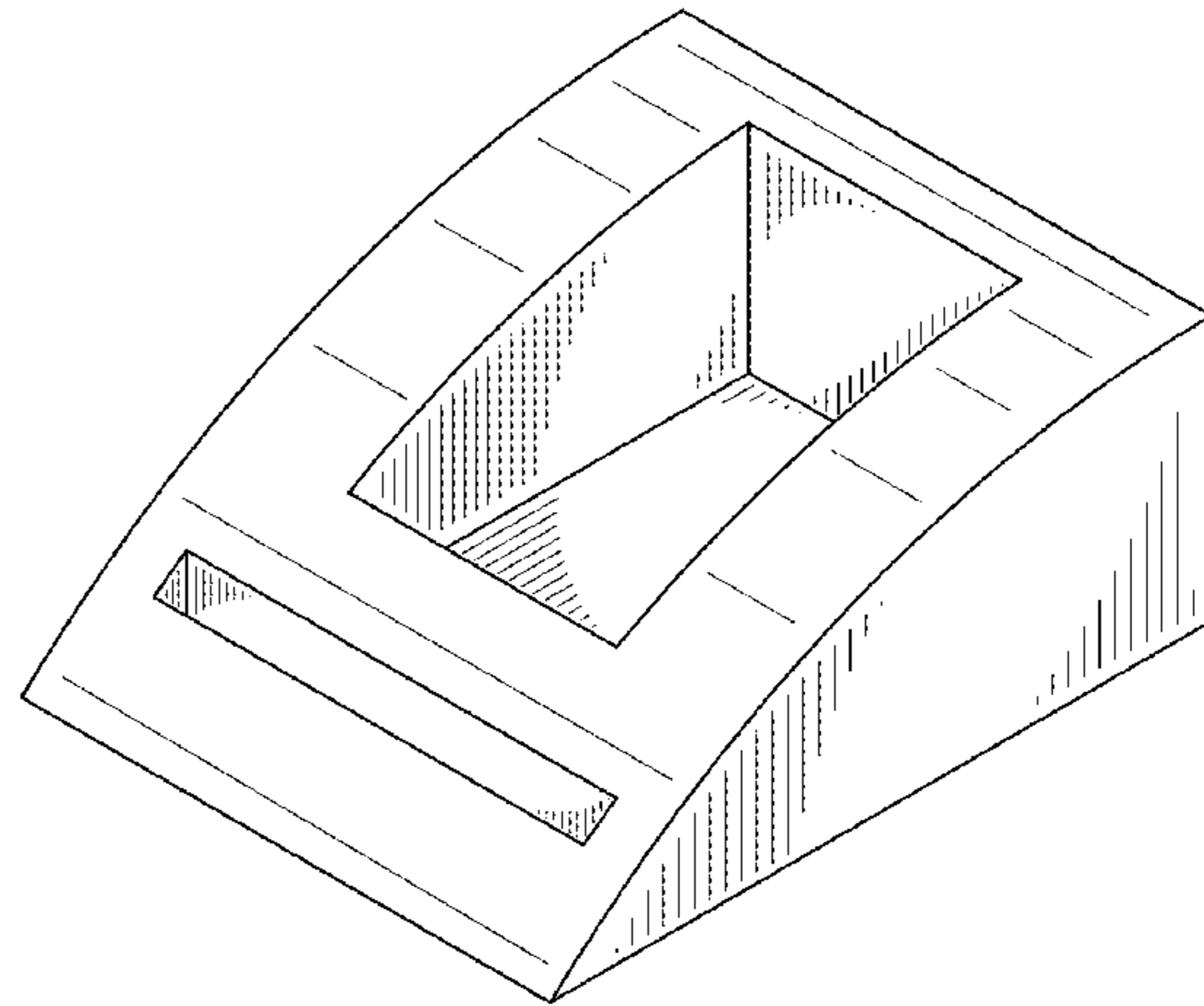
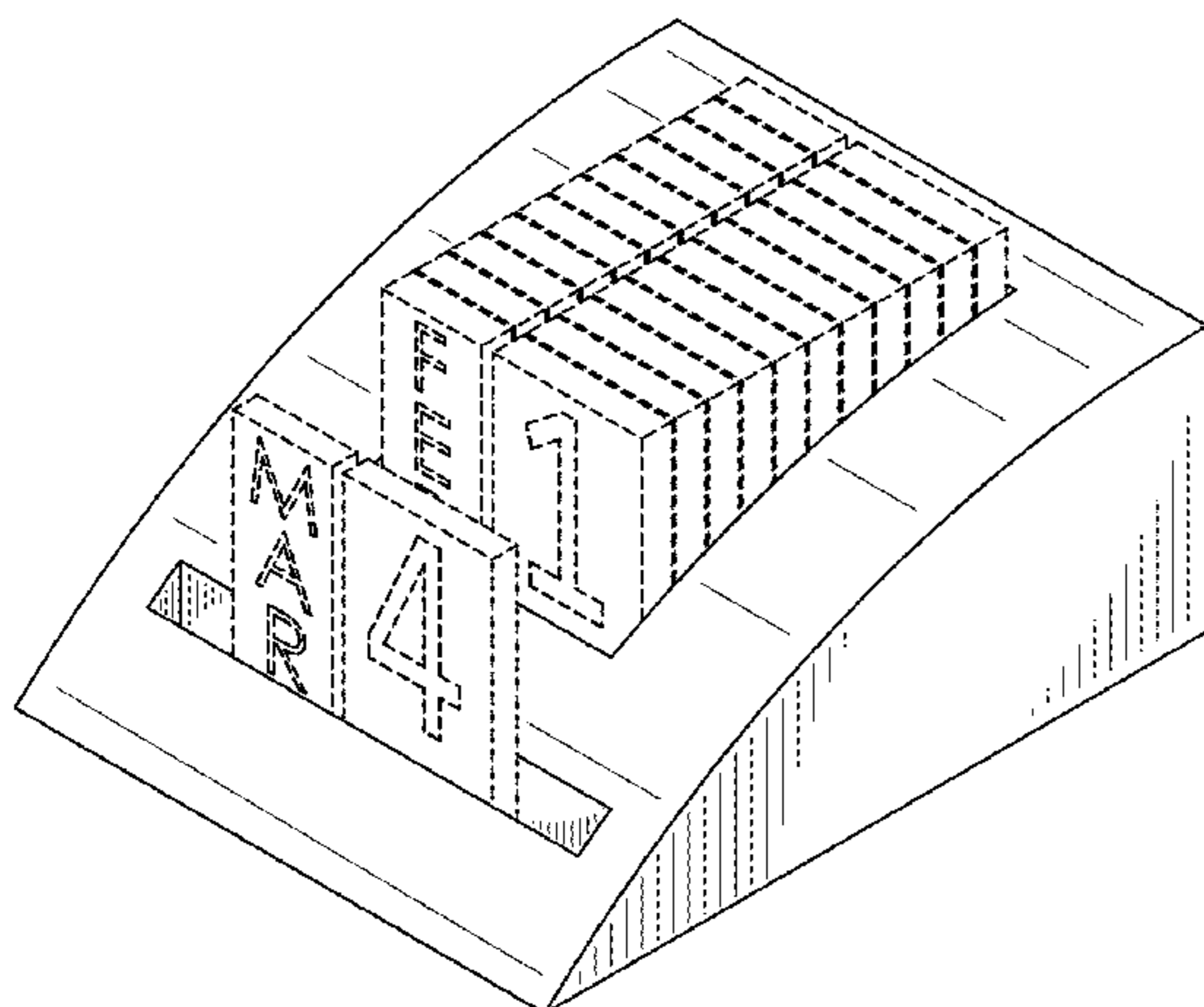
FIG. 6 is a front view thereof;

FIG. 7 is a back view thereof; and,

FIG. 8 is a bottom view thereof.

The broken lines shown in the drawings are included for purposes of illustrating portions of the perpetual calendar or for purposes of illustrating environment and form no part of the claimed design.

**1 Claim, 3 Drawing Sheets**



(56)

**References Cited**

OTHER PUBLICATIONS

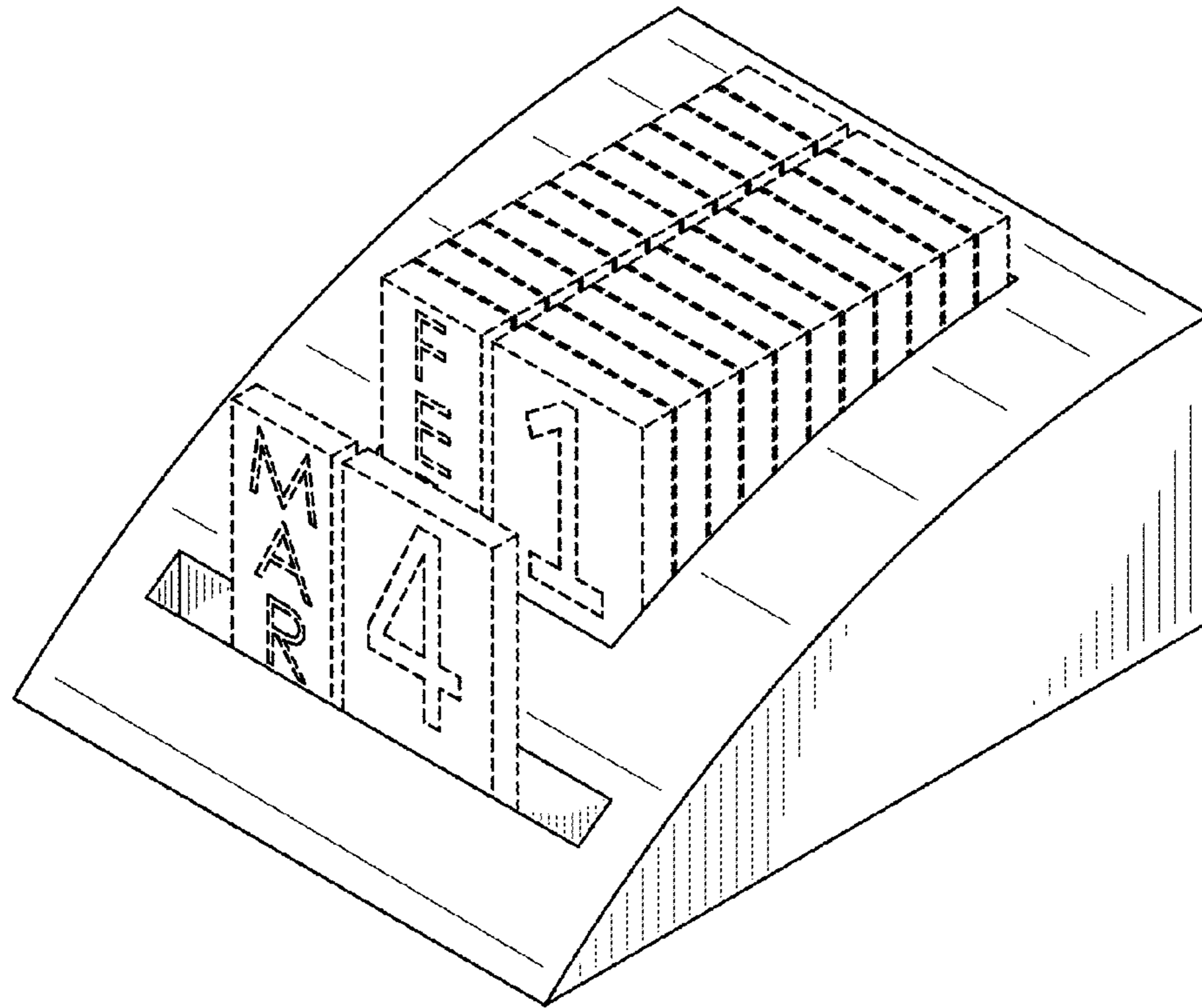
Houzz, "ThreeSix Five Perpetual Calendar," <http://www.houzz.com/ideabooks/5458042/list/Guest-Picks--Perpetual-Calendars-With-Timeless-Good-Looks>, at least as early as May 2013, 1 page.

Ebay, "Grey Perpetual Wooden Tile Block Date Calendar Home Desk Top Office Mantel Piece," [http://www.ebay.co.uk/itm/Grey-](http://www.ebay.co.uk/itm/Grey-Perpetual-Wooden-Tile-Block-Date-Calendar-Home-Desk-Top-Office-Mantel-Piece-/120995692467)

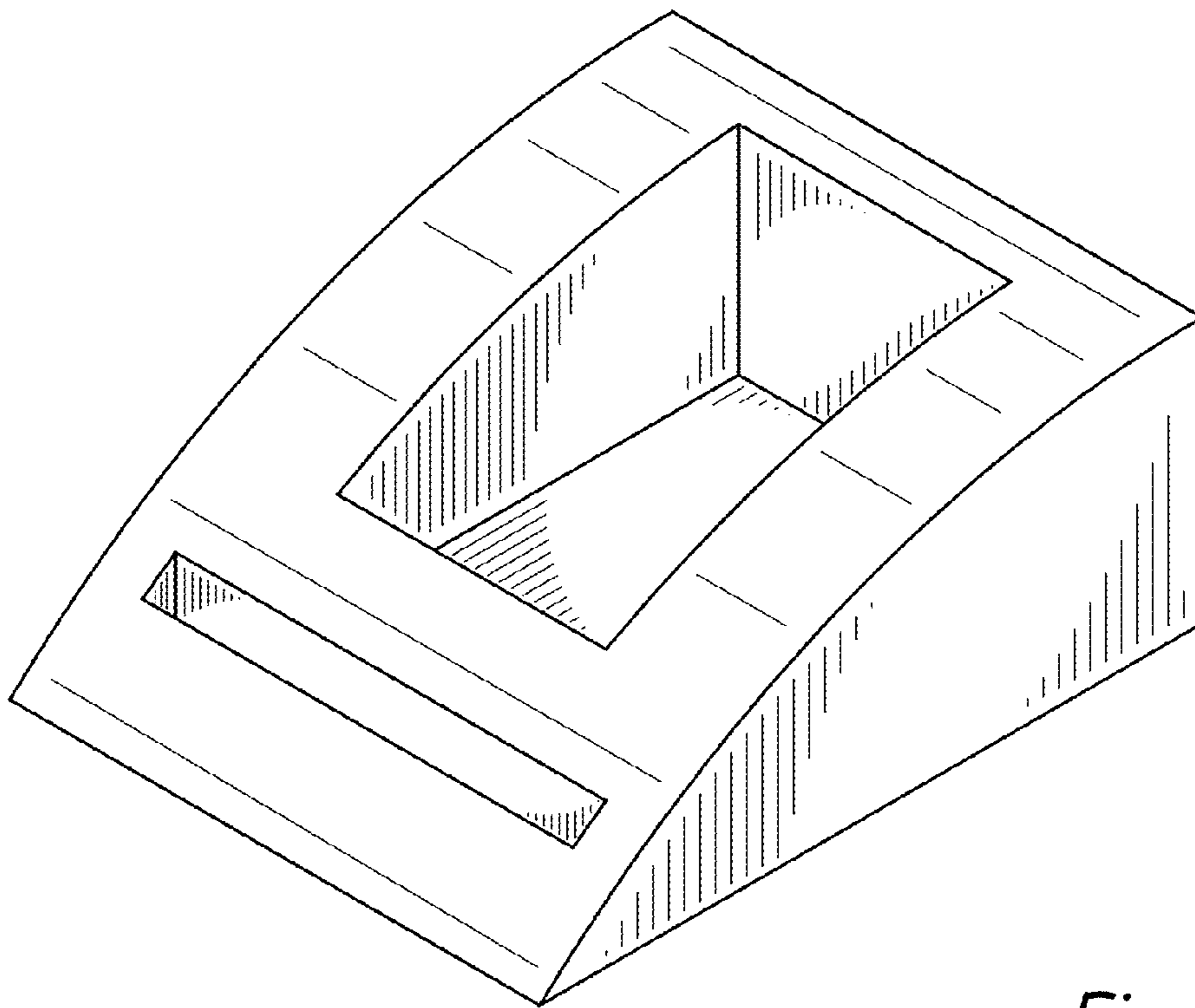
[Perpetual-Wooden-Tile-Block-Date-Calendar-Home-Desk-Top-Office-Mantel-Piece-/120995692467](http://www.ebay.co.uk/itm/Grey-Perpetual-Wooden-Tile-Block-Date-Calendar-Home-Desk-Top-Office-Mantel-Piece-/120995692467), at least as early as May 2013, 1 page.

Bizrice, "Wooden Perpetual Calendar," <http://sell.bizrice.com/selling-leads/541203/wooden-perpetual-calendar.html>, at least as early as May 2013, 1 page.

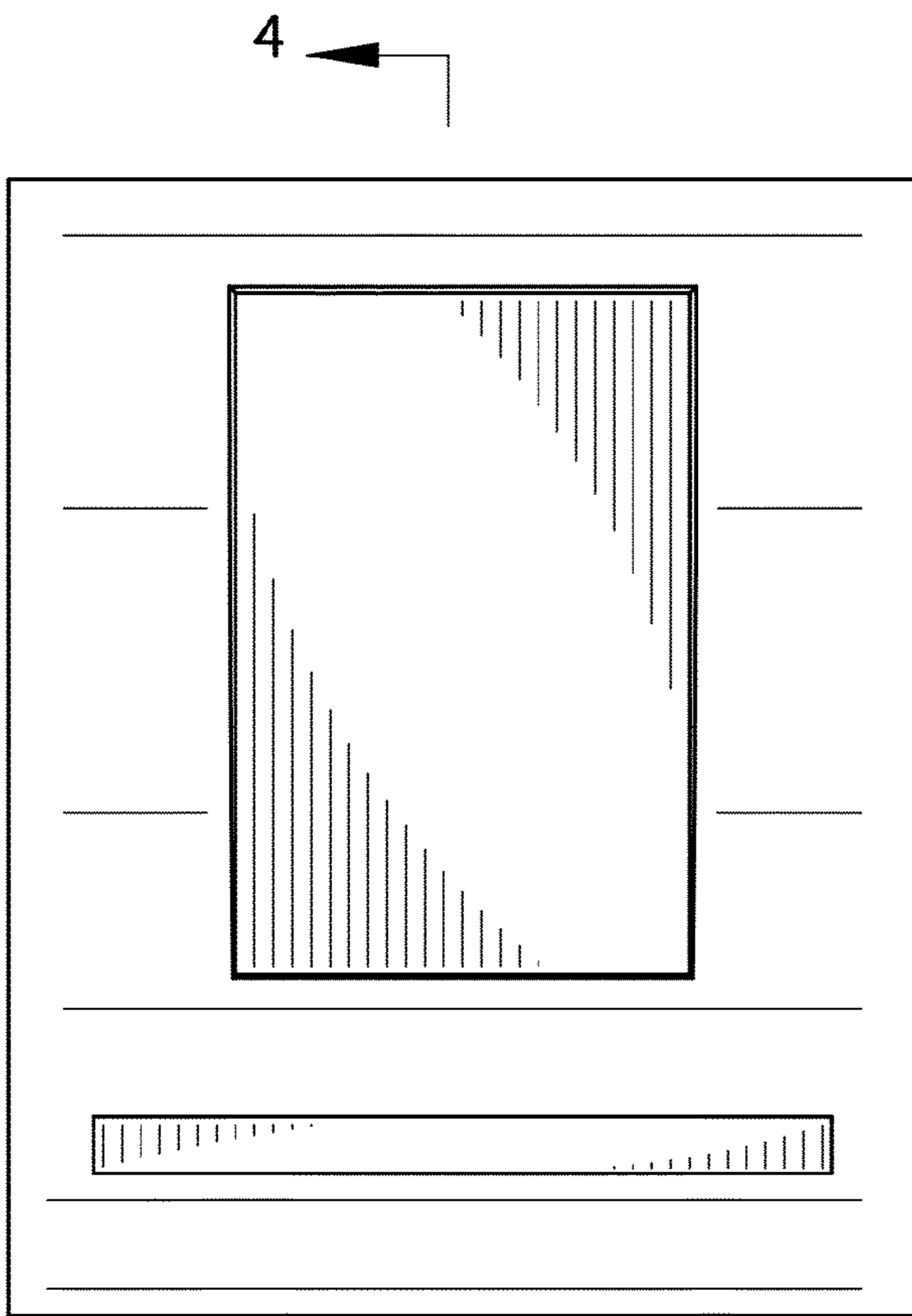
\* cited by examiner



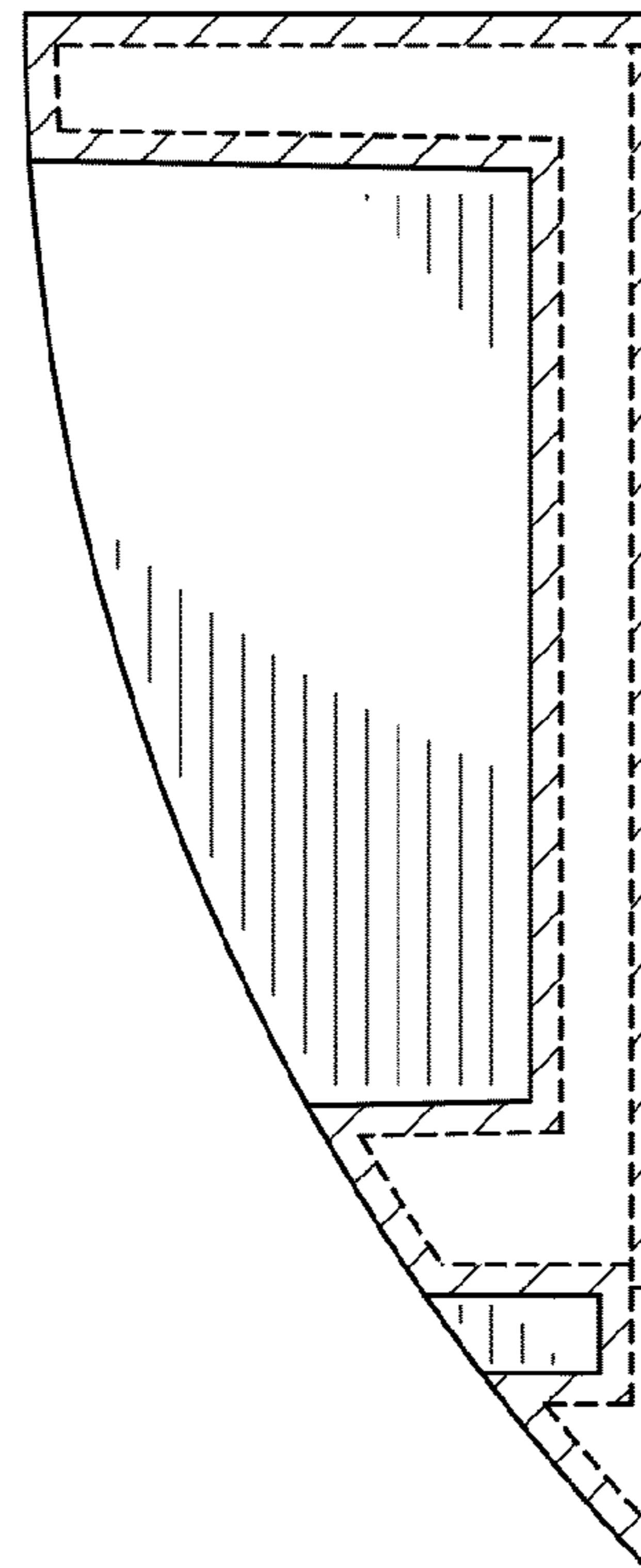
*Fig. 1*



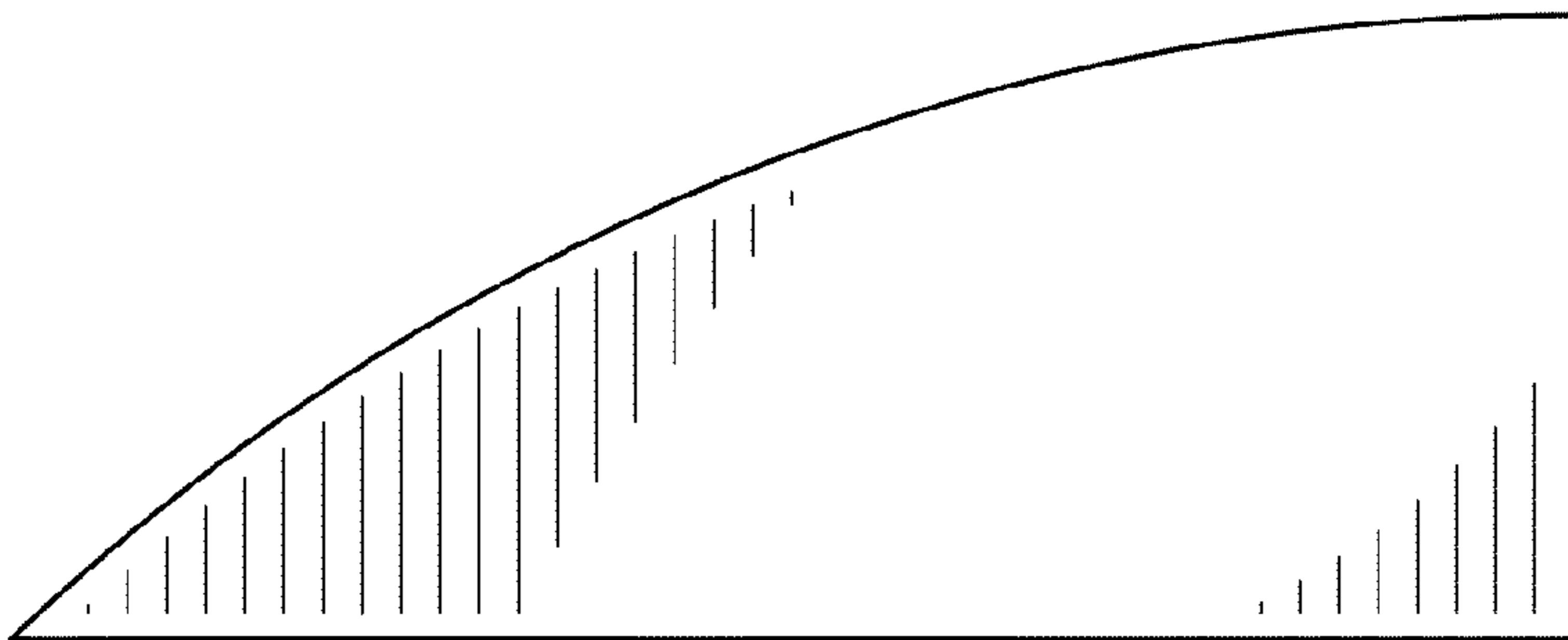
*Fig. 2*



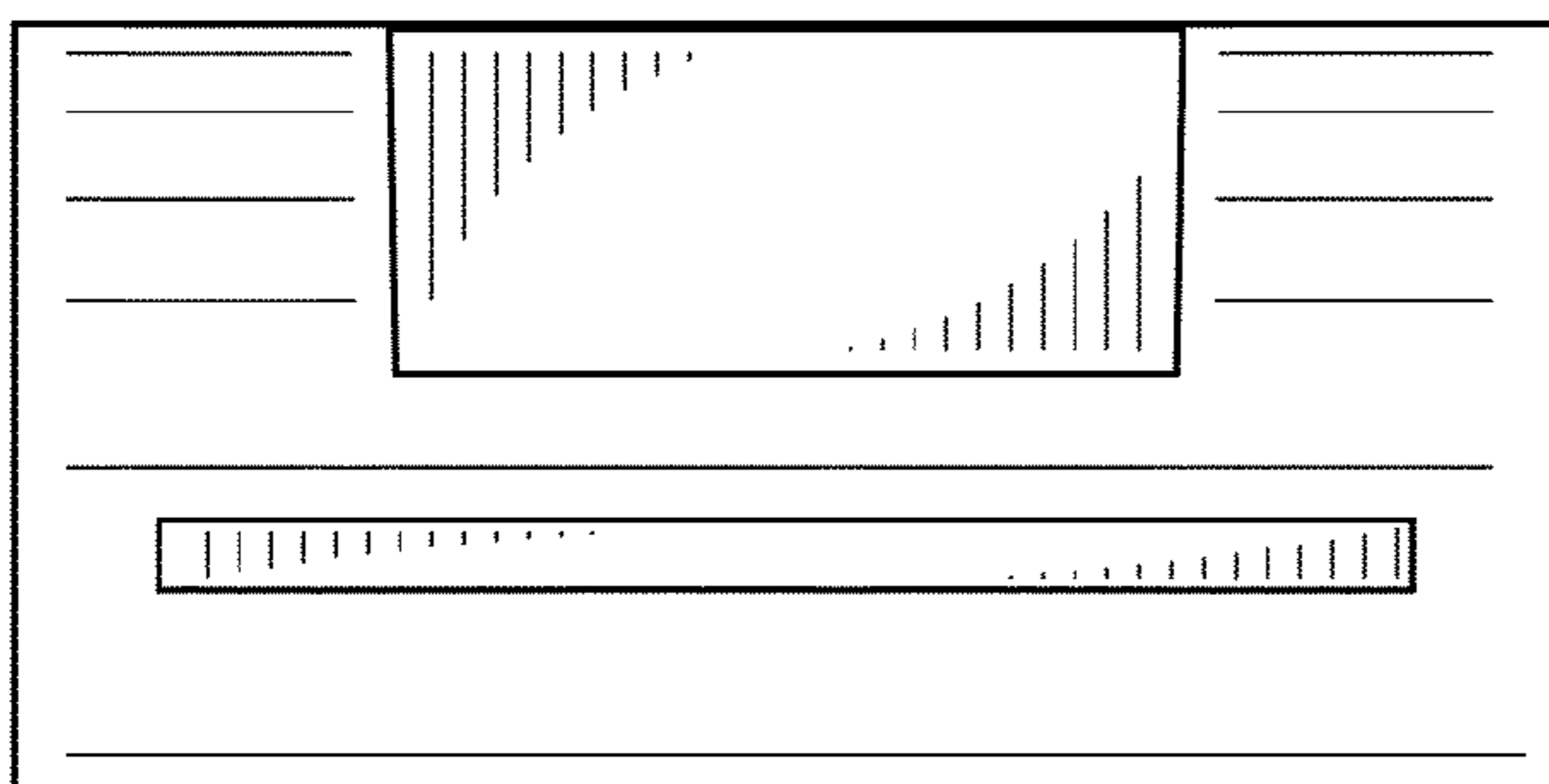
4 ← *Fig. 3*



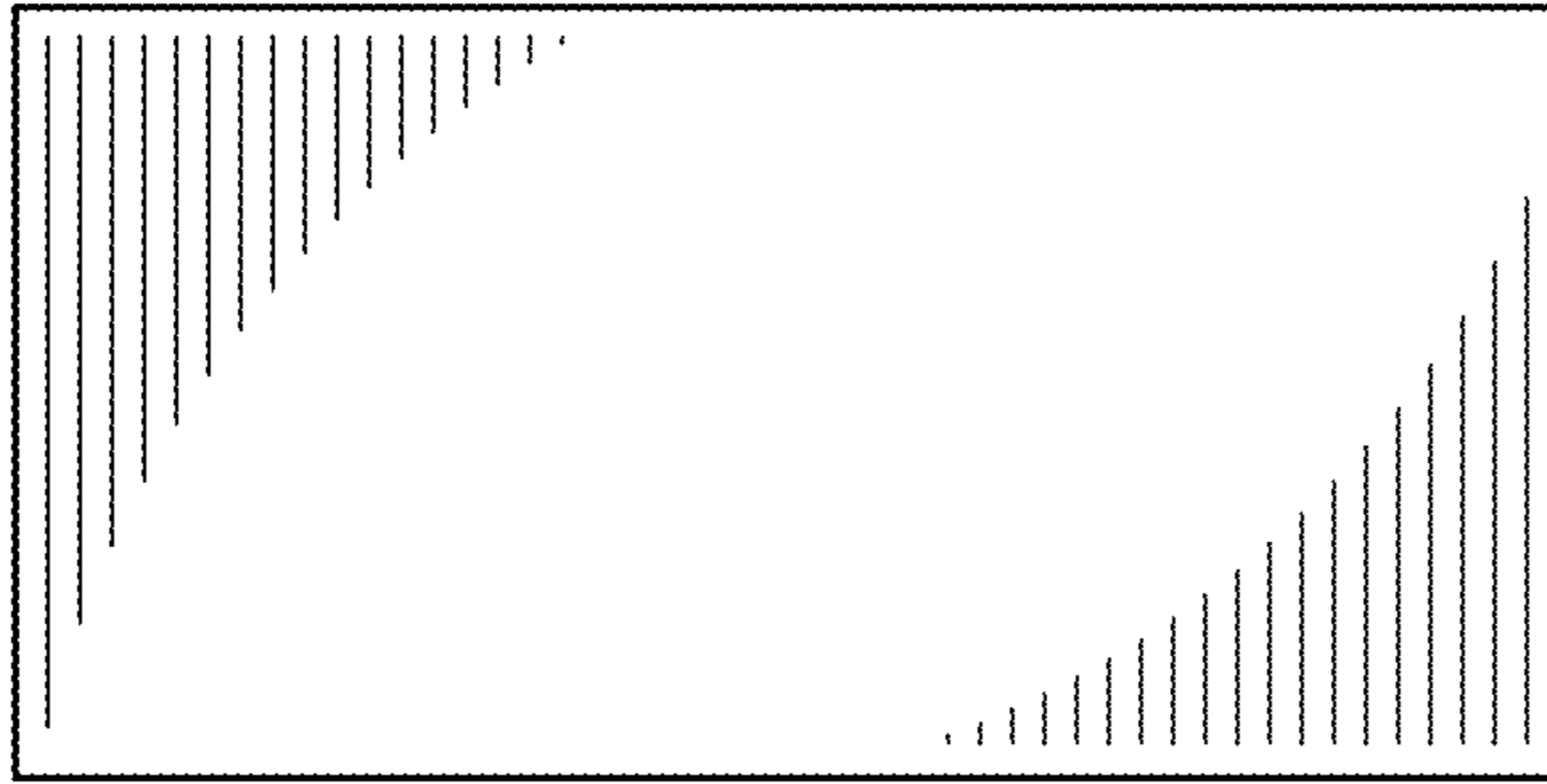
*Fig. 4*



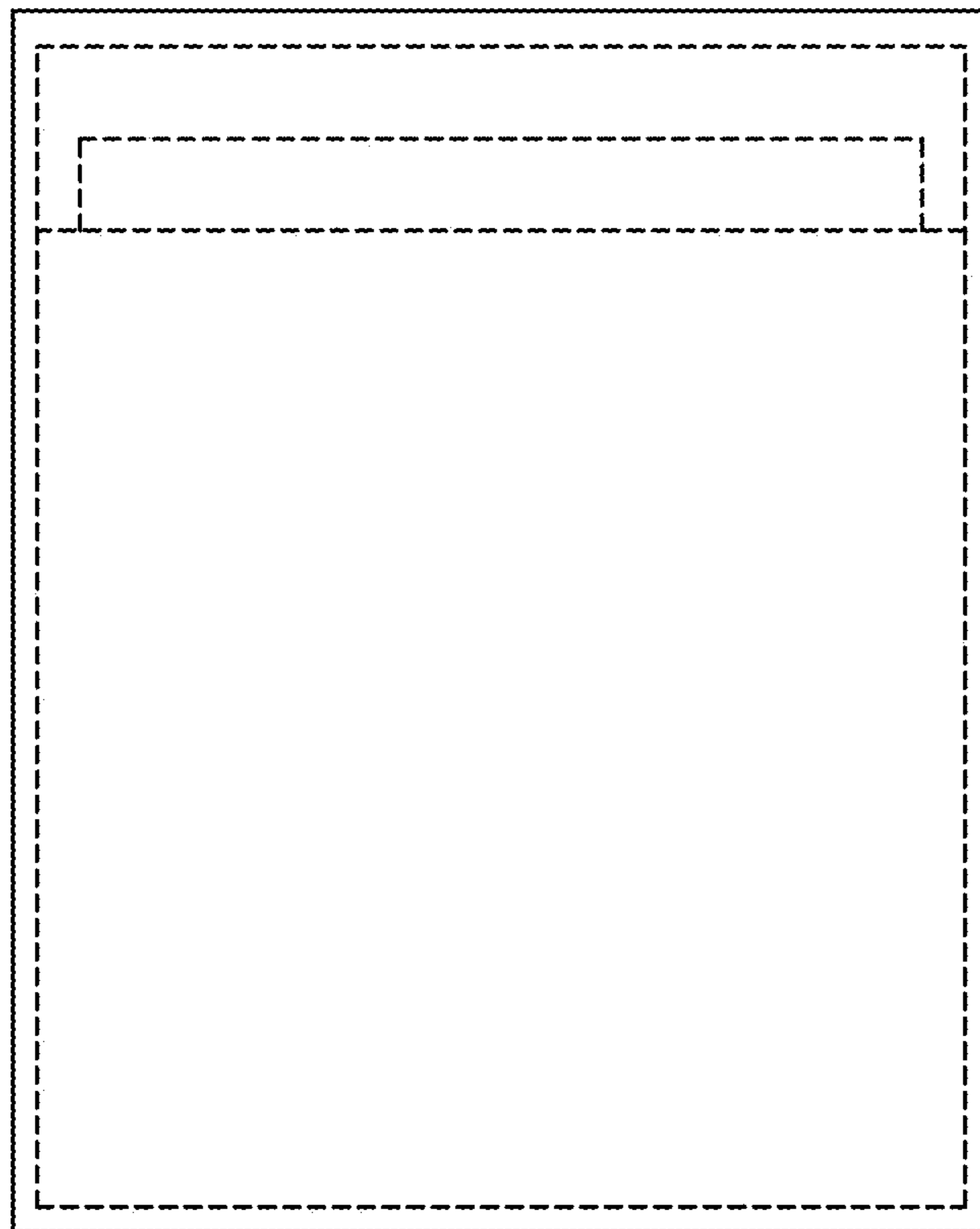
*Fig. 5*



*Fig. 6*



*Fig. 7*



*Fig. 8*