

US00D736848S

(12) **United States Design Patent**
Kim et al.

(10) **Patent No.:** **US D736,848 S**

(45) **Date of Patent:** **** Aug. 18, 2015**

(54) **CAMERA LENS CAP**

(71) Applicant: **Samsung Electronics Co., Ltd.**,
Suwon-si (KR)

(72) Inventors: **Min-Geun Kim**, Goyang-si (KR);
Yun-Jin Park, Seoul (KR)

(73) Assignee: **Samsung Electronics Co., Ltd.**,
Suwon-si (KR)

(**) Term: **14 Years**

(21) Appl. No.: **29/475,221**

(22) Filed: **Dec. 2, 2013**

(30) **Foreign Application Priority Data**

Jun. 20, 2013 (KR) 30-2013-0031890

(51) **LOC (10) Cl.** **16-05**

(52) **U.S. Cl.**
USPC **D16/237**; D16/136

(58) **Field of Classification Search**
USPC D9/435, 445, 453; D16/133, 134, 136,
D16/200, 202–204, 208, 218, 219, 237;
D29/110; 33/297; 348/360, 373–376,
348/835; 396/419, 535, 539–541;
206/316.2

CPC G03B 15/03; G03B 17/02; G03B 17/04;
G03B 17/08; G03B 17/56; G03B 19/04;
H04N 5/2251; H04N 5/2252; H04N 5/2253;
H04N 5/2254; A45C 11/38

See application file for complete search history.

(56) **References Cited**

U.S. PATENT DOCUMENTS

D138,816 S * 9/1944 Glasser D16/133
3,119,185 A * 1/1964 Gray 33/297
D235,578 S * 6/1975 Miyake et al. D16/136

D278,087 S * 3/1985 Pruefer D29/110
D339,599 S * 9/1993 Tiffen D16/219
D529,065 S * 9/2006 Watanabe D16/219
D649,574 S * 11/2011 Kobayashi D16/219
D650,821 S * 12/2011 Verhey D16/219
D682,908 S * 5/2013 Nakajima D16/219
D697,958 S * 1/2014 O'Neill et al. D16/134
D702,278 S * 4/2014 Kim et al. D16/237

* cited by examiner

Primary Examiner — Adir Aronovich

Assistant Examiner — Ramzi Almatrahi

(74) *Attorney, Agent, or Firm* — NSIP Law

(57) **CLAIM**

The ornamental design for a camera lens cap, as shown and described.

DESCRIPTION

FIG. 1 is a top front perspective view of a camera lens cap showing our new design;

FIG. 2 is a front view thereof;

FIG. 3 is a rear view thereof;

FIG. 4 is a left side view thereof;

FIG. 5 is a right side view thereof;

FIG. 6 is a top view thereof;

FIG. 7 is a bottom view thereof;

FIG. 8 is a front perspective view, in which a camera string and camera are illustrated in broken lines to illustrate environment only and form no part of the claimed design.

FIG. 9 is a rear perspective view of FIG. 1; and,

FIG. 10 is an enlarged view of the encircled portion as shown in FIG. 8.

The broken lines illustrating portions of the camera lens cap are for environmental purposes only and form no part of the claimed design.

The dot-dash broken lines encircling portions of the claimed design that are illustrated in enlargements form no part of the claimed design.

1 Claim, 6 Drawing Sheets

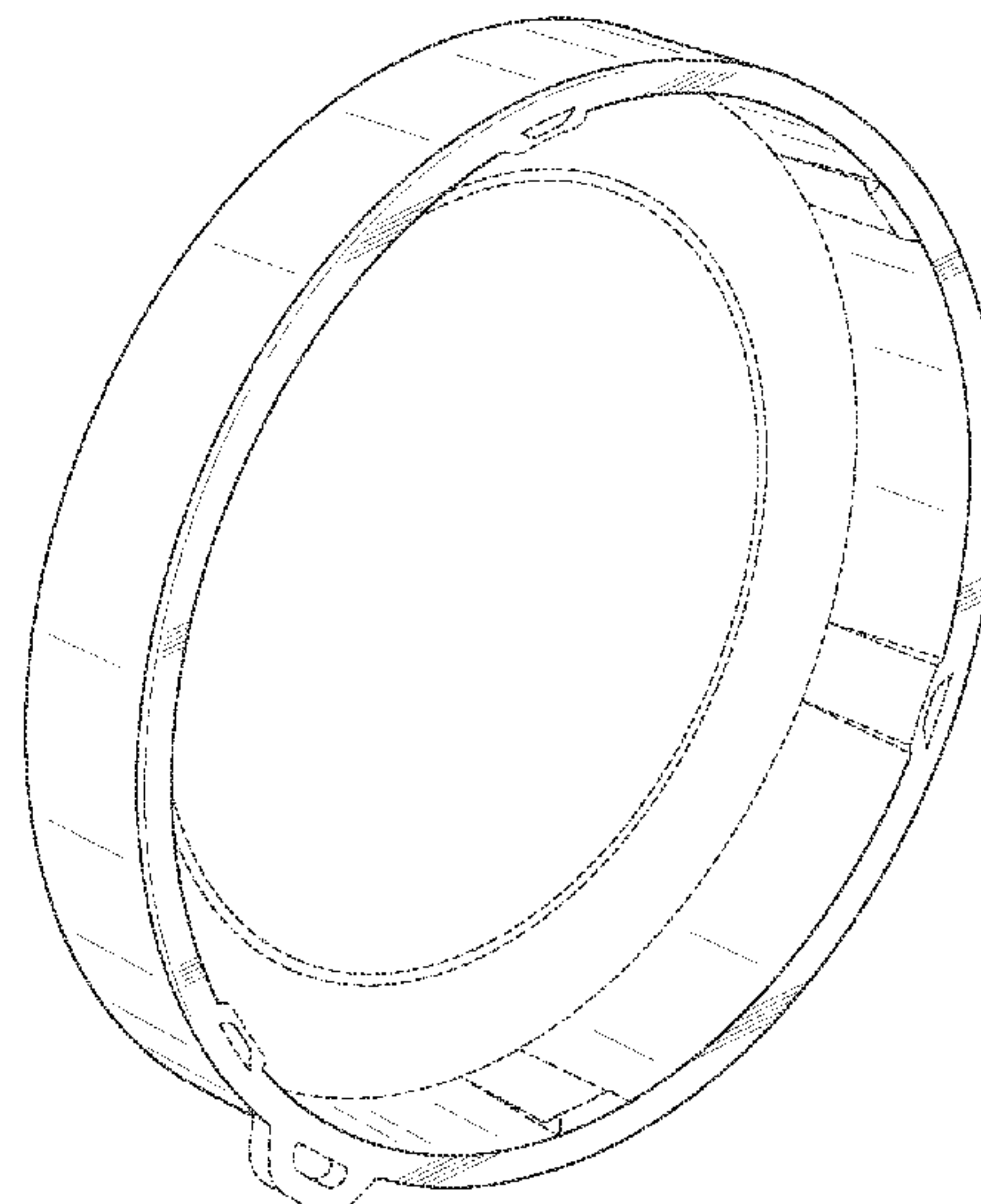
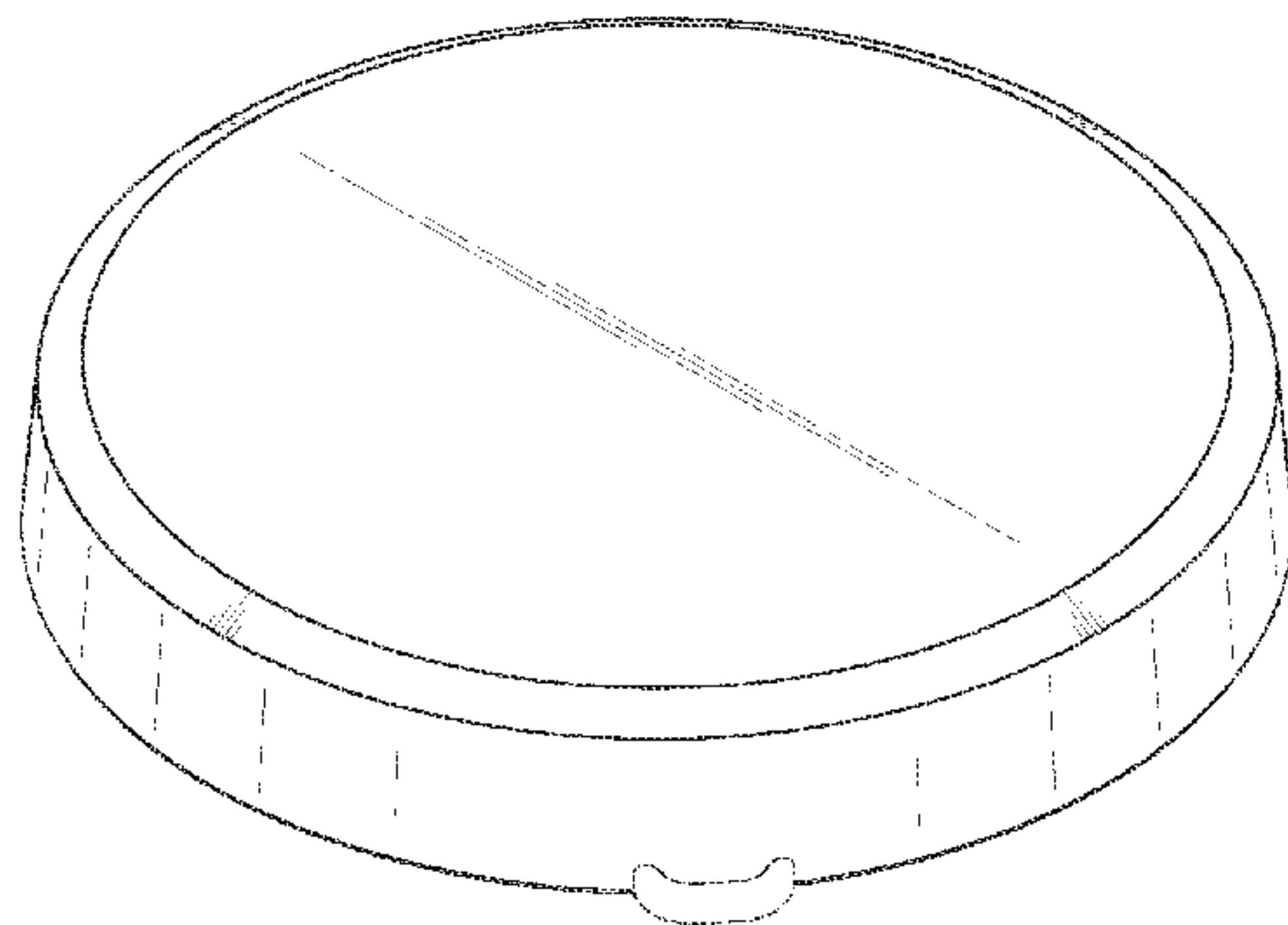


FIG.1

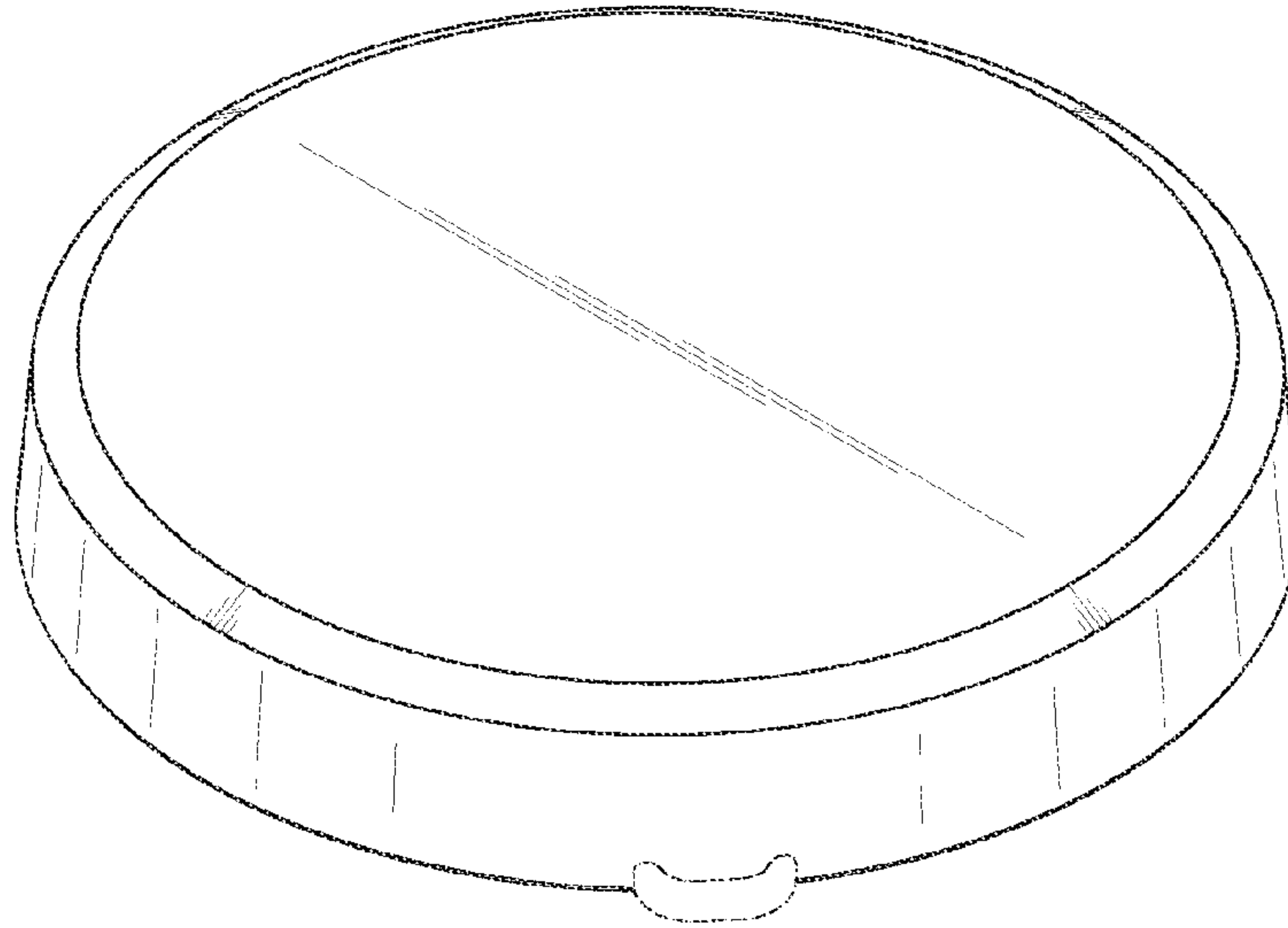


FIG.2

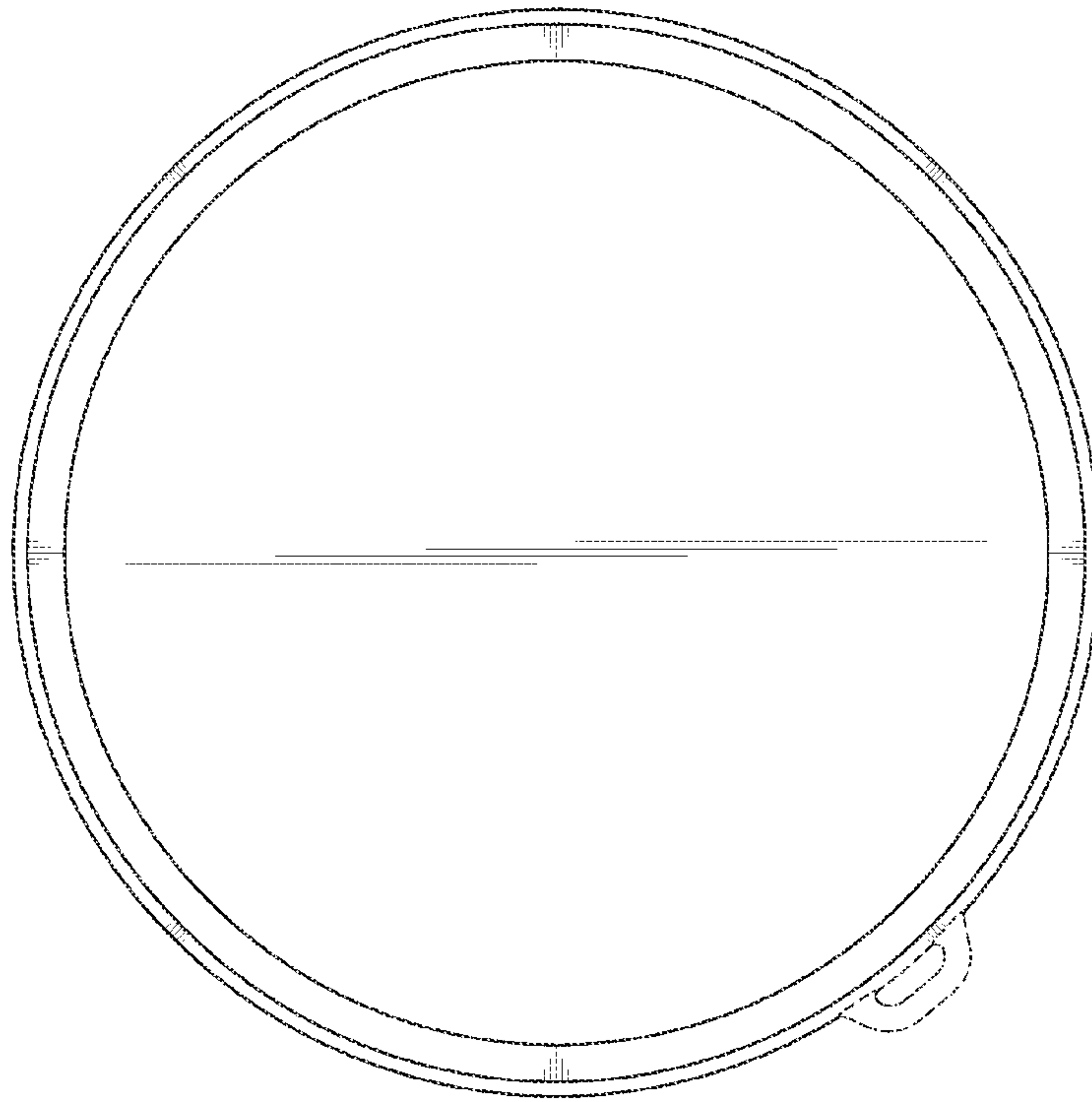


FIG.3

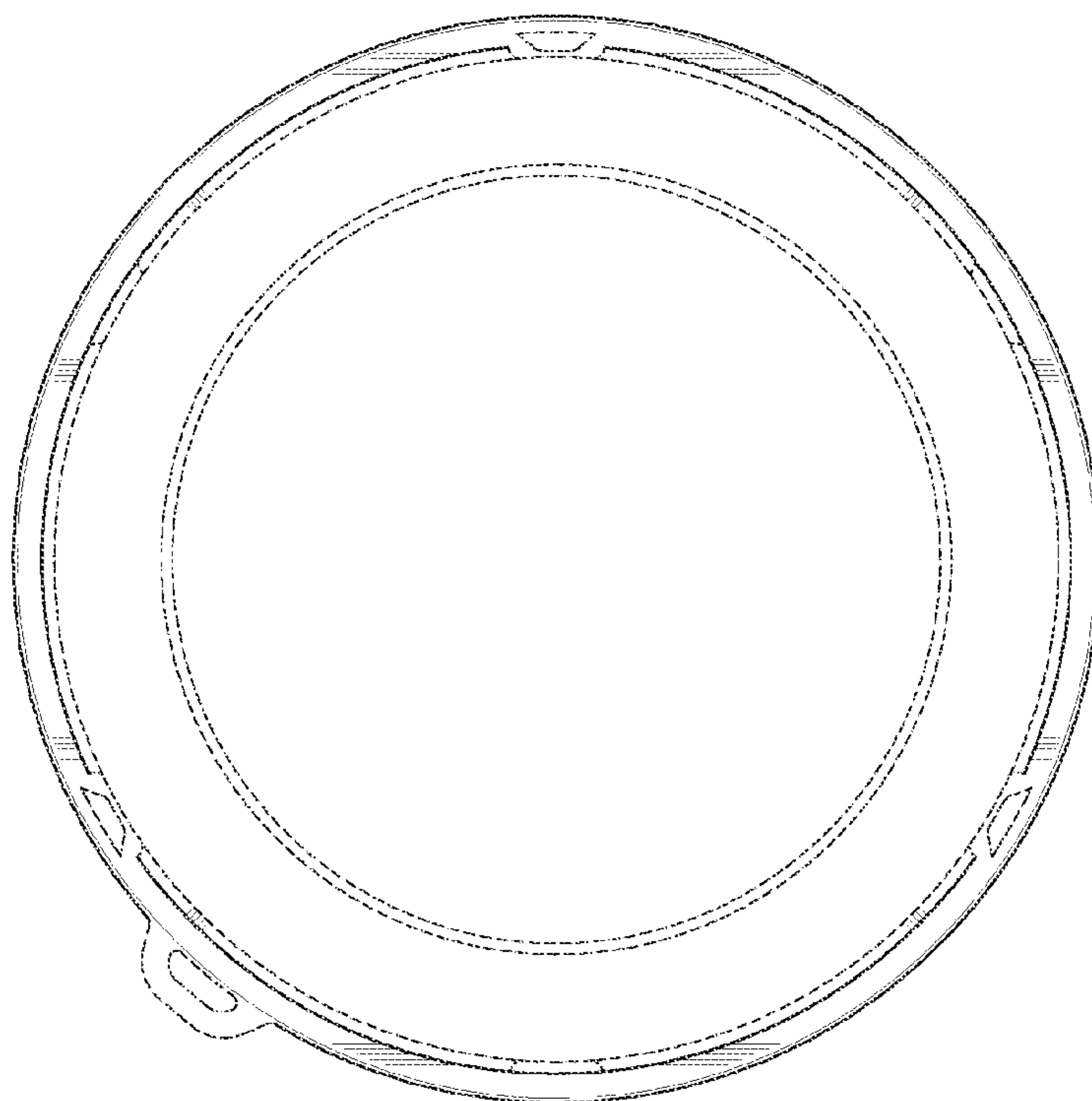


FIG.4

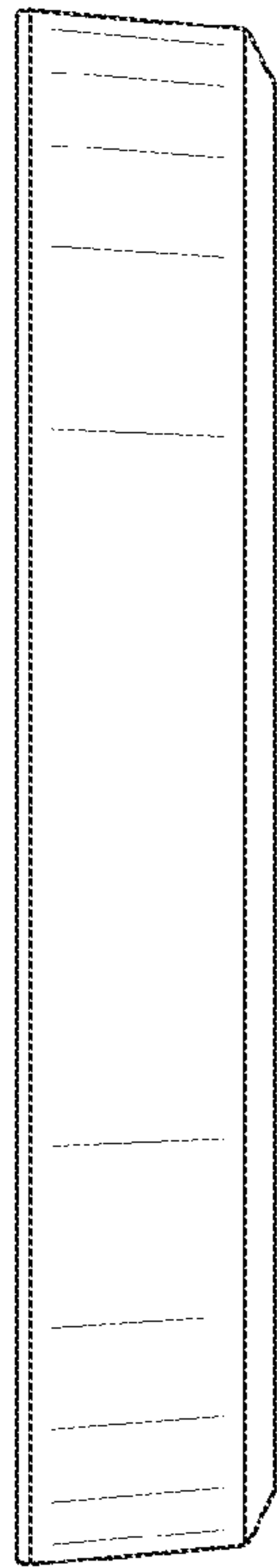


FIG.5

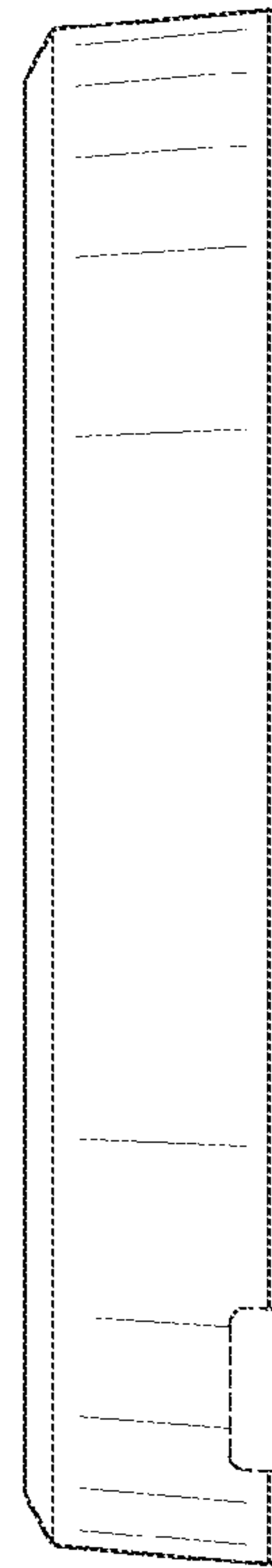


FIG.6

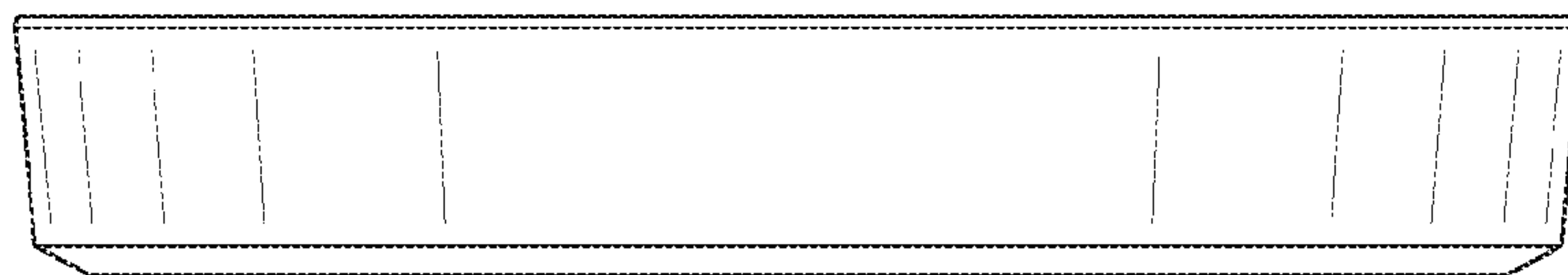


FIG.7

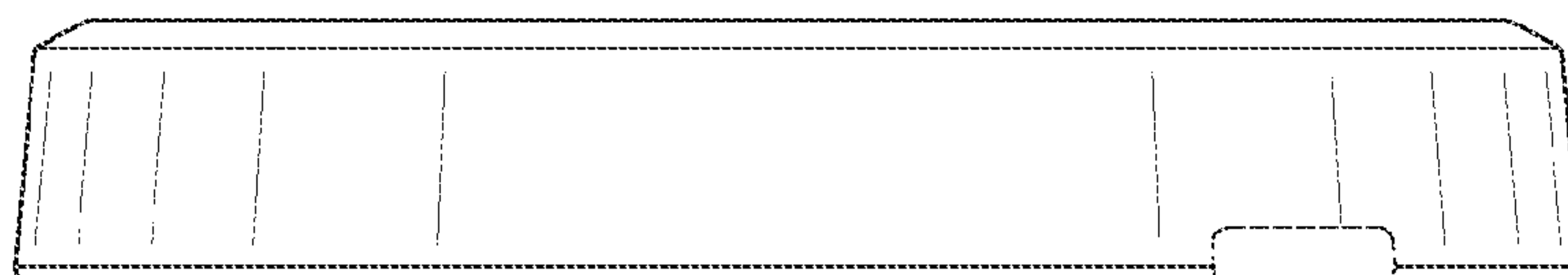


FIG.8

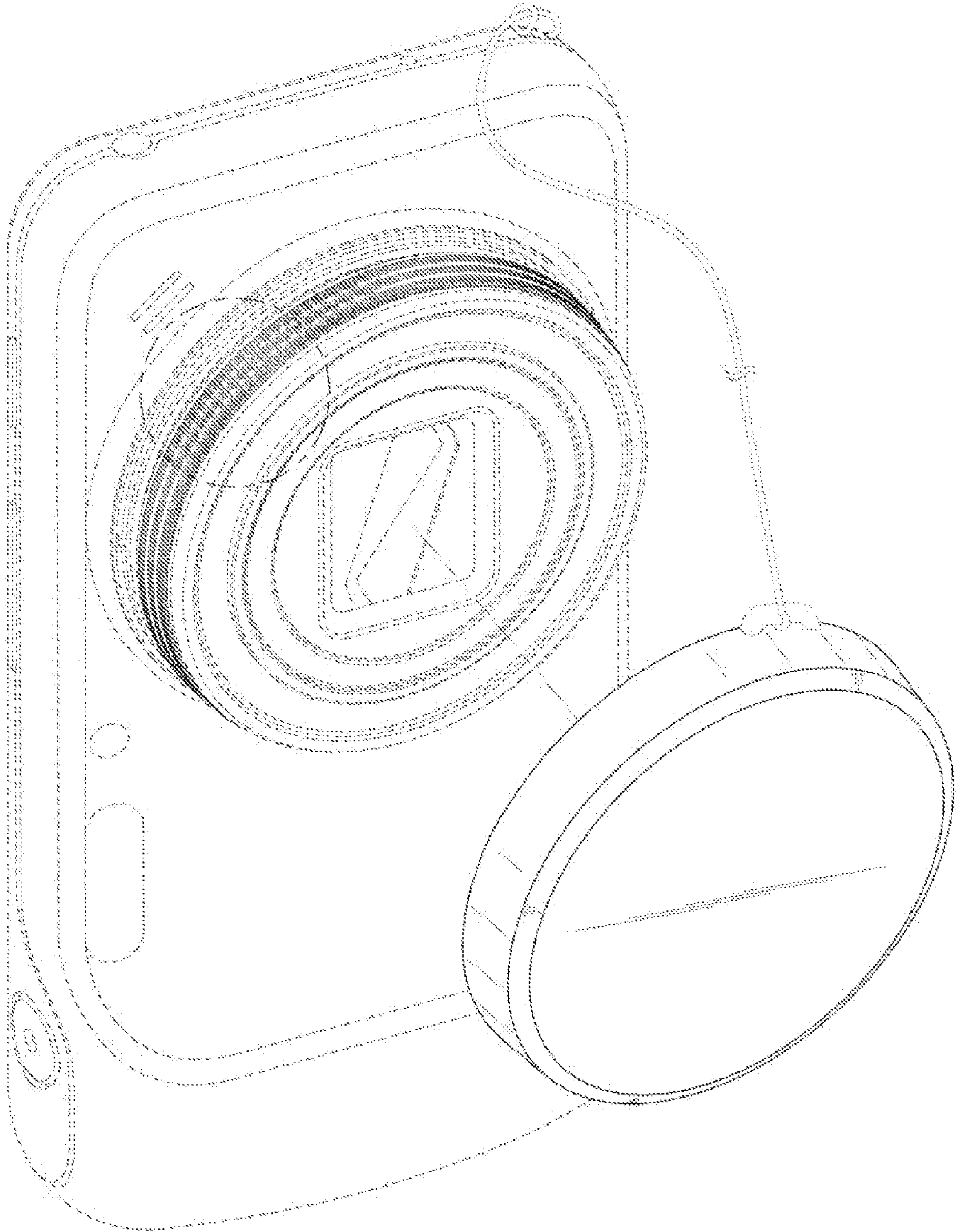


FIG.9

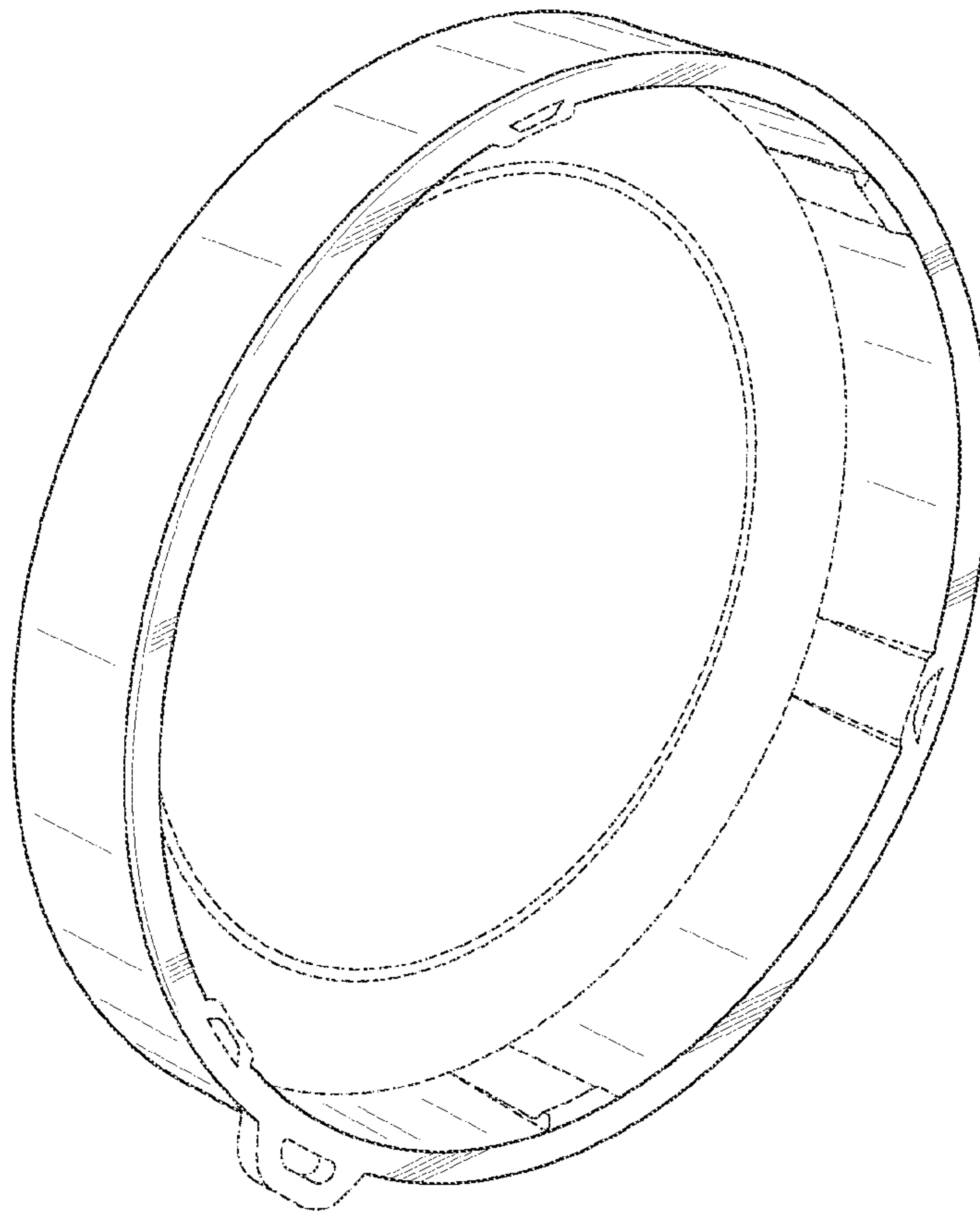


FIG.10

