



US00D736846S

(12) **United States Design Patent**
Jang et al.

(10) **Patent No.:** **US D736,846 S**

(45) **Date of Patent:** **** Aug. 18, 2015**

(54) **CAMERA**

(71) Applicant: **Samsung Electronics Co., Ltd.**,
Suwon-si, Gyeonggi-do (KR)

(72) Inventors: **Young-Sang Jang**, Anyang-si (KR);
Eui-Hoon Kim, Uiwang-si (KR);
Kyung-Han Noh, Seoul (KR)

(73) Assignee: **Samsung Electronics Co., Ltd.**,
Suwon-Si (KR)

(**) Term: **14 Years**

(21) Appl. No.: **29/488,256**

(22) Filed: **Apr. 17, 2014**

(30) **Foreign Application Priority Data**

Nov. 26, 2013 (KR) 30-2013-0059321

(51) **LOC (10) Cl.** **16-01**

(52) **U.S. Cl.**
USPC **D16/217; D16/202**

(58) **Field of Classification Search**
USPC D16/200, 202, 204, 208, 217, 218, 219;
348/373-376; 396/176-178, 535,
396/539-541
CPC G03B 15/03; G03B 17/02; G03B 17/04;
G03B 17/56; G03B 19/04; H04N 5/2251;
H04N 5/2252; H04N 5/2253; H04N 5/2254;
H04N 2101/00

See application file for complete search history.

(56) **References Cited**

U.S. PATENT DOCUMENTS

7,505,682	B2 *	3/2009	Liu	396/177
D594,892	S *	6/2009	Kamiya et al.	D16/202
D611,977	S *	3/2010	Kim et al.	D16/217
8,131,147	B2 *	3/2012	Kusatsugu	396/535
8,428,455	B2 *	4/2013	Asai et al.	396/535
8,439,579	B2 *	5/2013	Morita	396/535
D698,840	S *	2/2014	Nakamura et al.	D16/202
D724,130	S *	3/2015	Ham	D16/202
D724,131	S *	3/2015	Kim	D16/219
D724,639	S *	3/2015	Noh	D16/202

* cited by examiner

Primary Examiner — Adir Aronovich

(74) *Attorney, Agent, or Firm* — Ladas & Parry LLP

(57) **CLAIM**

The ornamental design for a camera, as shown and described.

DESCRIPTION

FIG. 1 is a top, front and right side perspective view of a camera showing our new design;
FIG. 2 is a front elevational view thereof;
FIG. 3 is a rear elevational view thereof;
FIG. 4 is a left side elevational view thereof;
FIG. 5 is a right side elevational view thereof;
FIG. 6 is a top plan view thereof; and,
FIG. 7 is a bottom plan view thereof.
The broken lines depict portions of the camera in which the design is embodied and form no part of the claimed design.

1 Claim, 5 Drawing Sheets

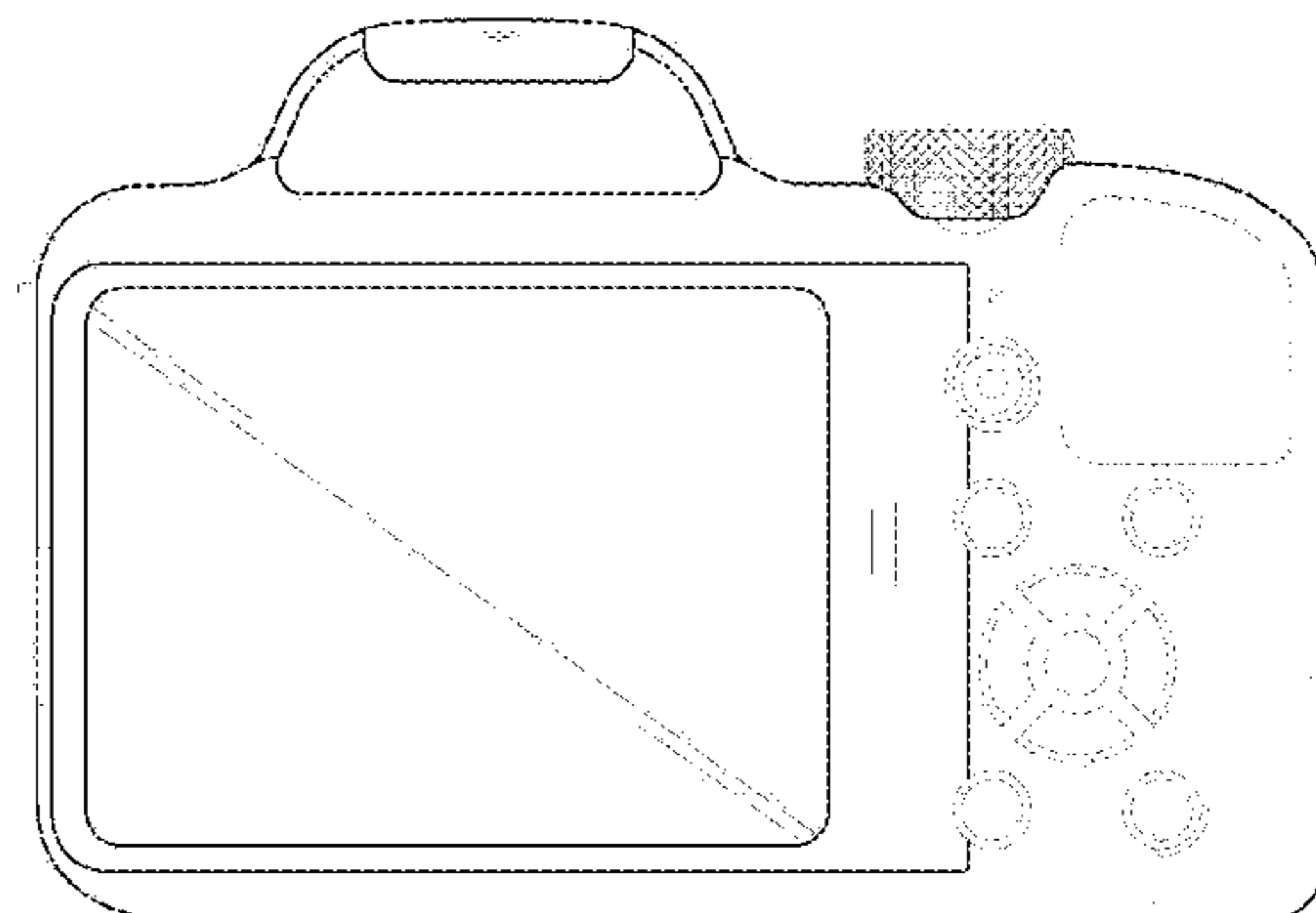
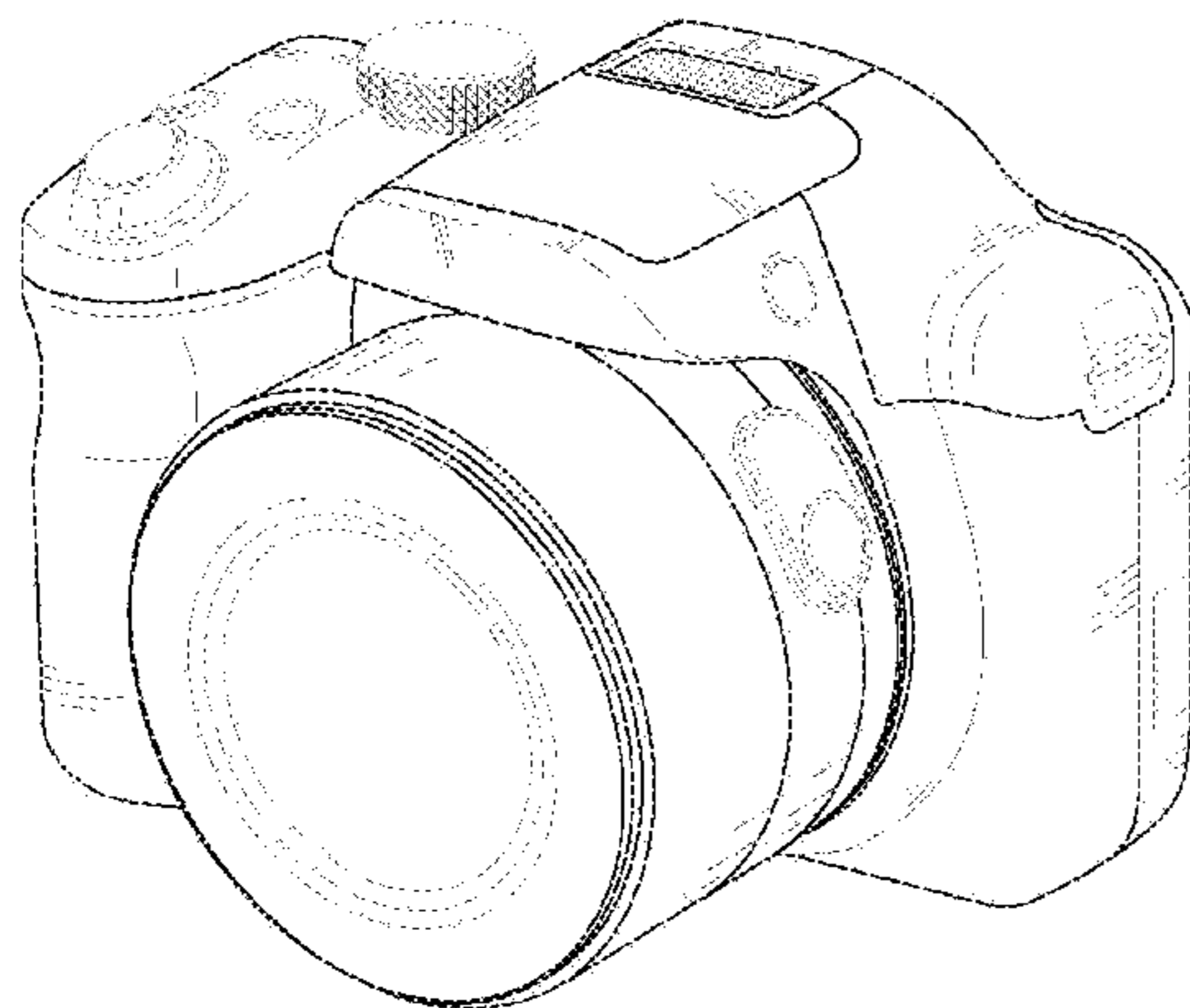


FIG. 1

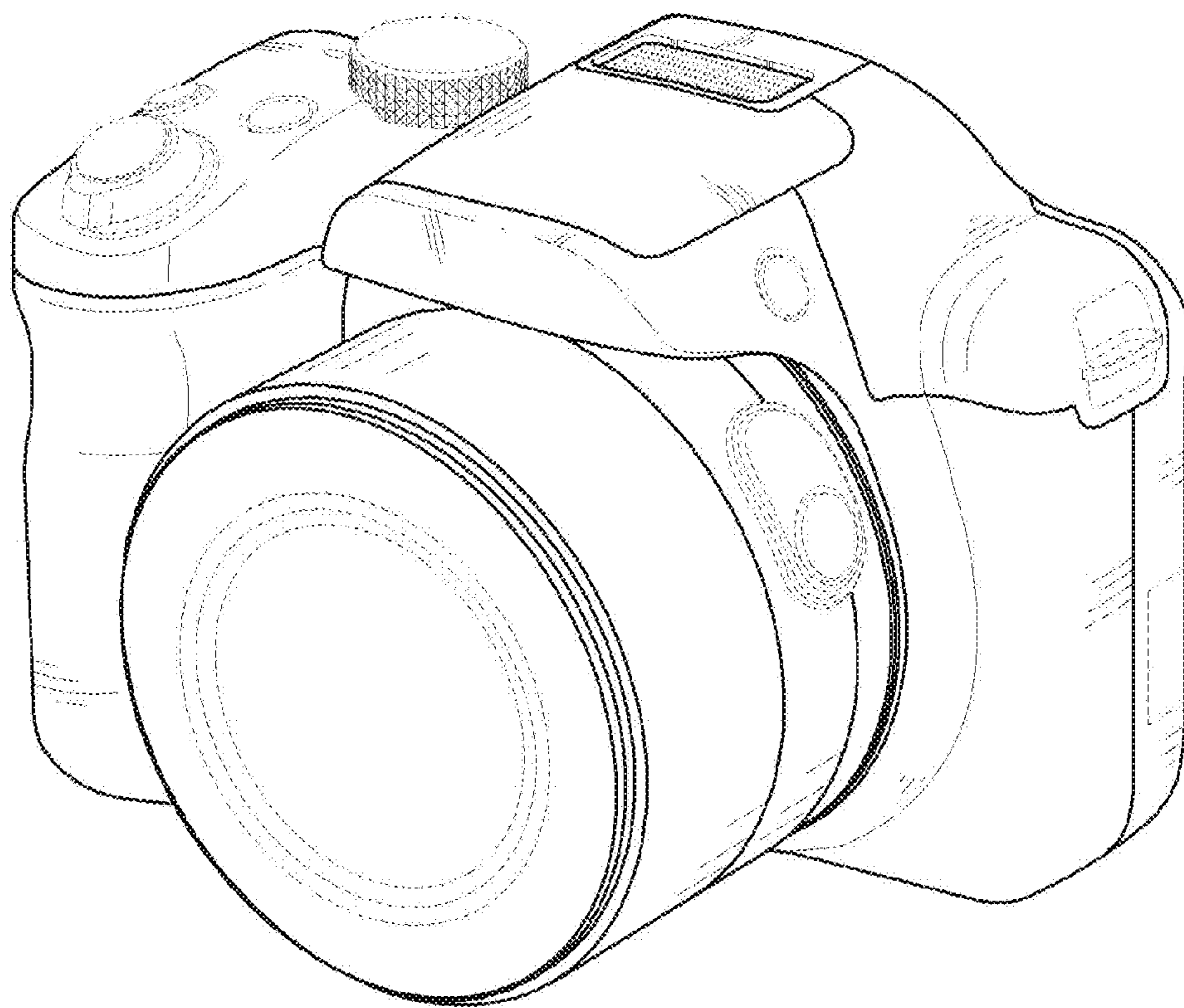


FIG. 2

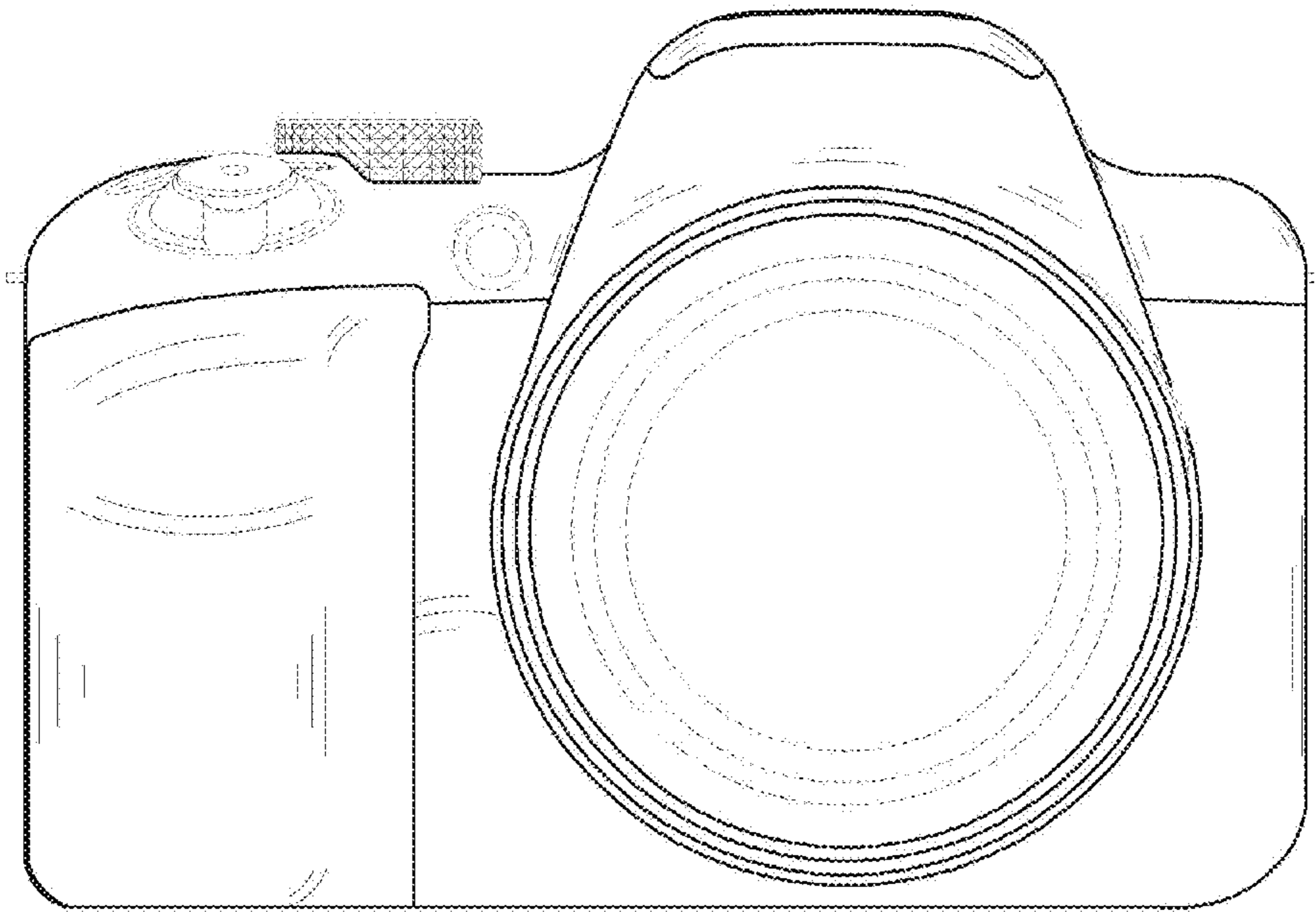


FIG. 3

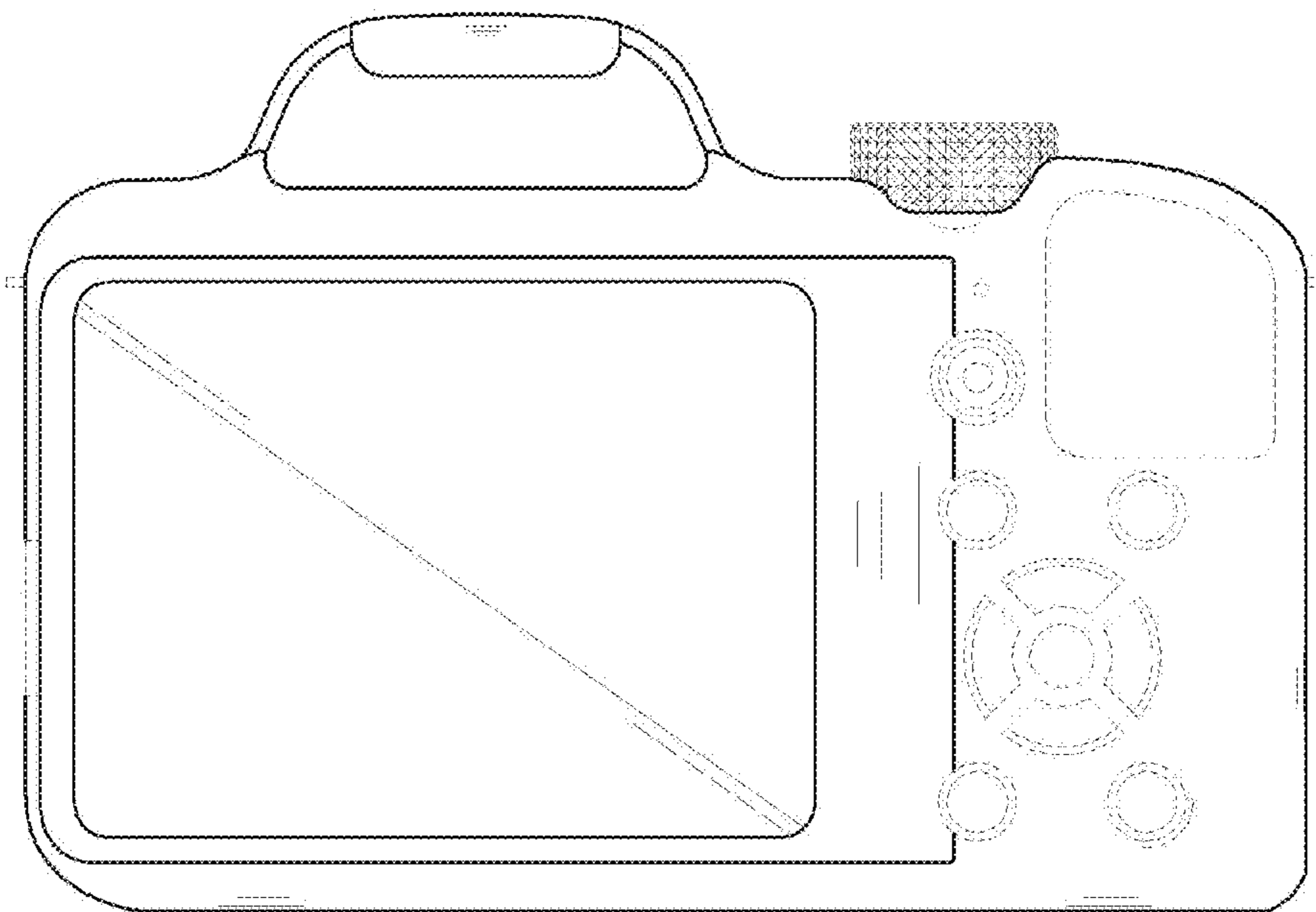


FIG. 4

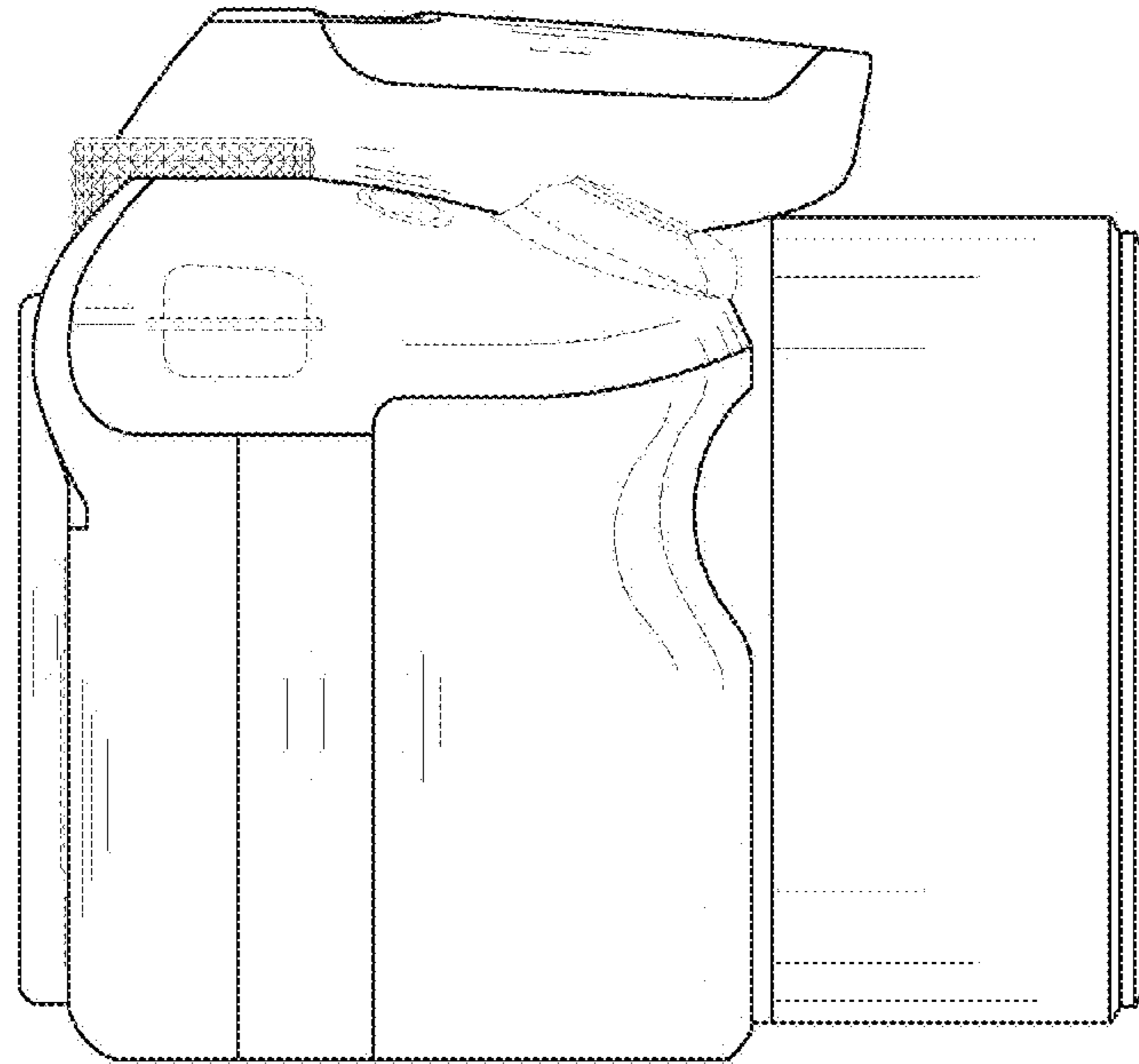


FIG. 5

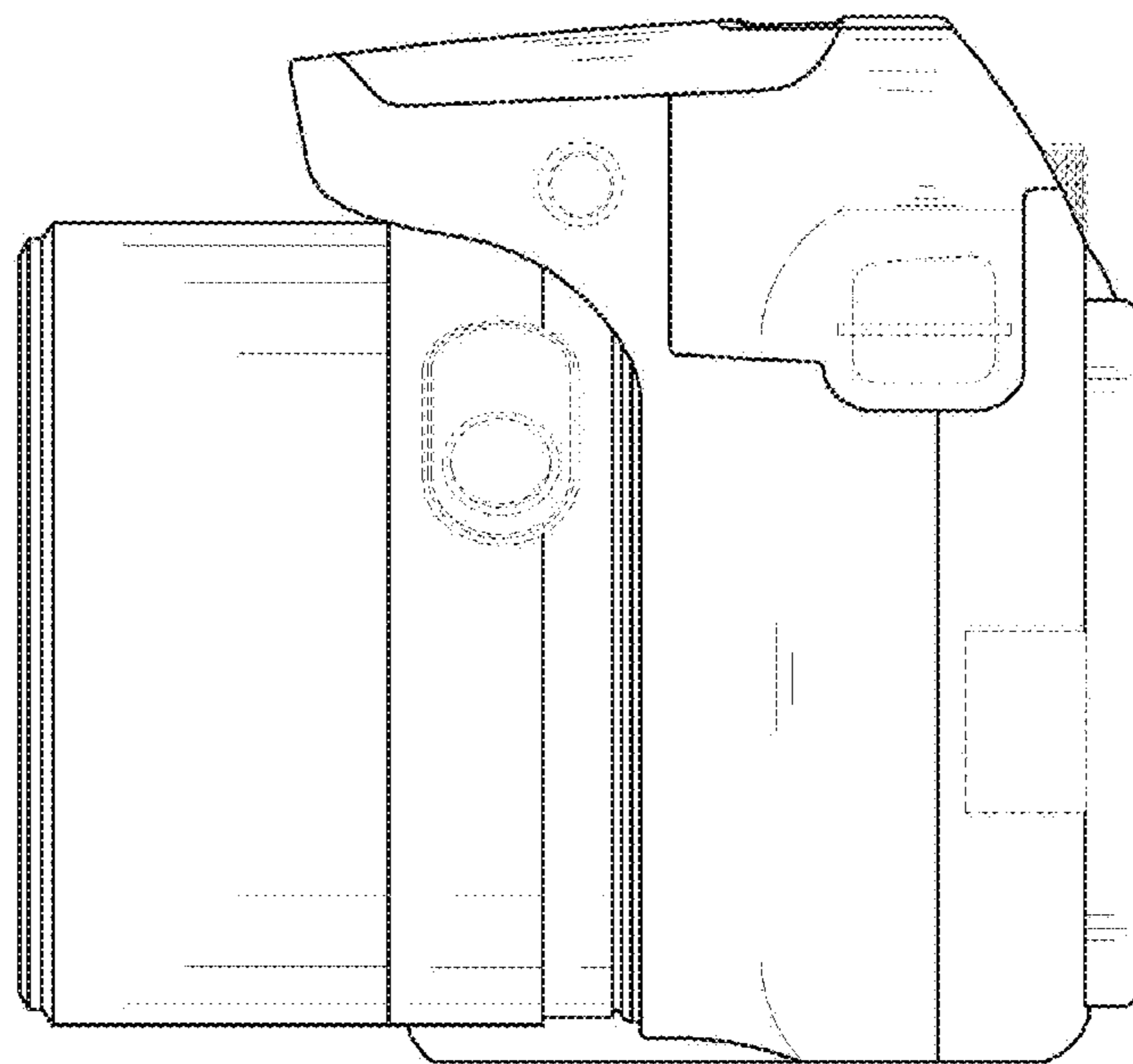


FIG. 6

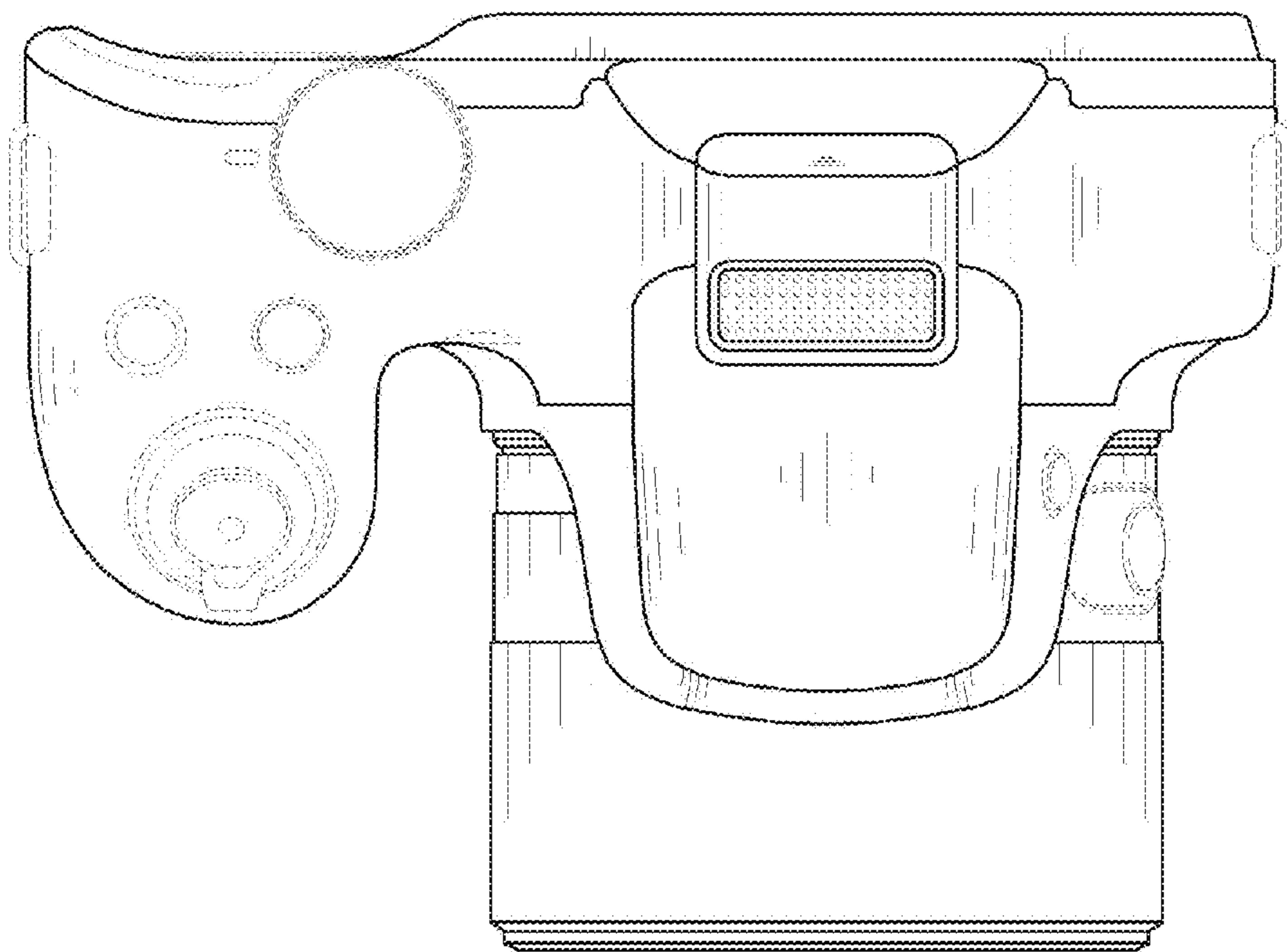


FIG. 7

