



US00D736845S

(12) **United States Design Patent**
Yilin

(10) **Patent No.:** **US D736,845 S**

(45) **Date of Patent:** **** Aug. 18, 2015**

(54) **CAMERA**

(71) Applicant: **Robert Bosch GmbH**, Stuttgart (DE)

(72) Inventor: **Gu Yilin**, Shanghai (CN)

(73) Assignee: **Robert Bosch GmbH**, Stuttgart (DE)

(**) Term: **14 Years**

(21) Appl. No.: **29/472,768**

(22) Filed: **Nov. 15, 2013**

(30) **Foreign Application Priority Data**

May 17, 2013 (EM) 002239590

(51) **LOC (10) Cl.** **16-01**

(52) **U.S. Cl.**
USPC **D16/203**

(58) **Field of Classification Search**

USPC D16/200, 202–205, 208, 218, 219, 242;
348/143, 148, 151, 373–376; 396/419,
396/427, 535, 539–541

CPC G03B 17/02; G03B 19/04; G03B 17/56;
G03B 17/04; G03B 15/03; H04N 5/2251;
H04N 5/2252; H04N 5/2253; H04N 5/2254;
H04N 7/181; H04N 7/183; H04N 7/18;
G08B 13/1963; G08B 13/19619; G08B
13/19632; F16M 11/04; F16M 13/00

See application file for complete search history.

(56) **References Cited**

U.S. PATENT DOCUMENTS

D501,494 S * 2/2005 Ogura D16/202
D518,843 S * 4/2006 Tullberg et al. D16/218
D542,820 S * 5/2007 Depay D16/202

7,471,334 B1 * 12/2008 Stenger 348/373
D609,727 S * 2/2010 Adolfsson et al. D16/200
D618,265 S * 6/2010 Wozniak D16/202
D636,007 S * 4/2011 Peng D16/203
D636,424 S * 4/2011 Lin D16/203
D676,477 S * 2/2013 Chen et al. D16/202
D692,473 S * 10/2013 Kawaguchi et al. D16/202
D697,119 S * 1/2014 Park et al. D16/203
2008/0158413 A1 * 7/2008 Liang 348/376
2013/0038728 A1 * 2/2013 Kim 348/143

* cited by examiner

Primary Examiner — Adir Aronovich

Assistant Examiner — Ramzi Almatrahi

(74) *Attorney, Agent, or Firm* — Maginot, Moore & Beck
LLP

(57) **CLAIM**

The ornamental design for a camera, as shown and described.

DESCRIPTION

FIG. 1 is a perspective view of a camera showing my new design;

FIG. 2 is a front elevational view showing the design for the camera of FIG. 1;

FIG. 3 is a rear elevational view showing the design for the camera of FIG. 1;

FIG. 4 is a right side elevational view showing the design for the camera of FIG. 1;

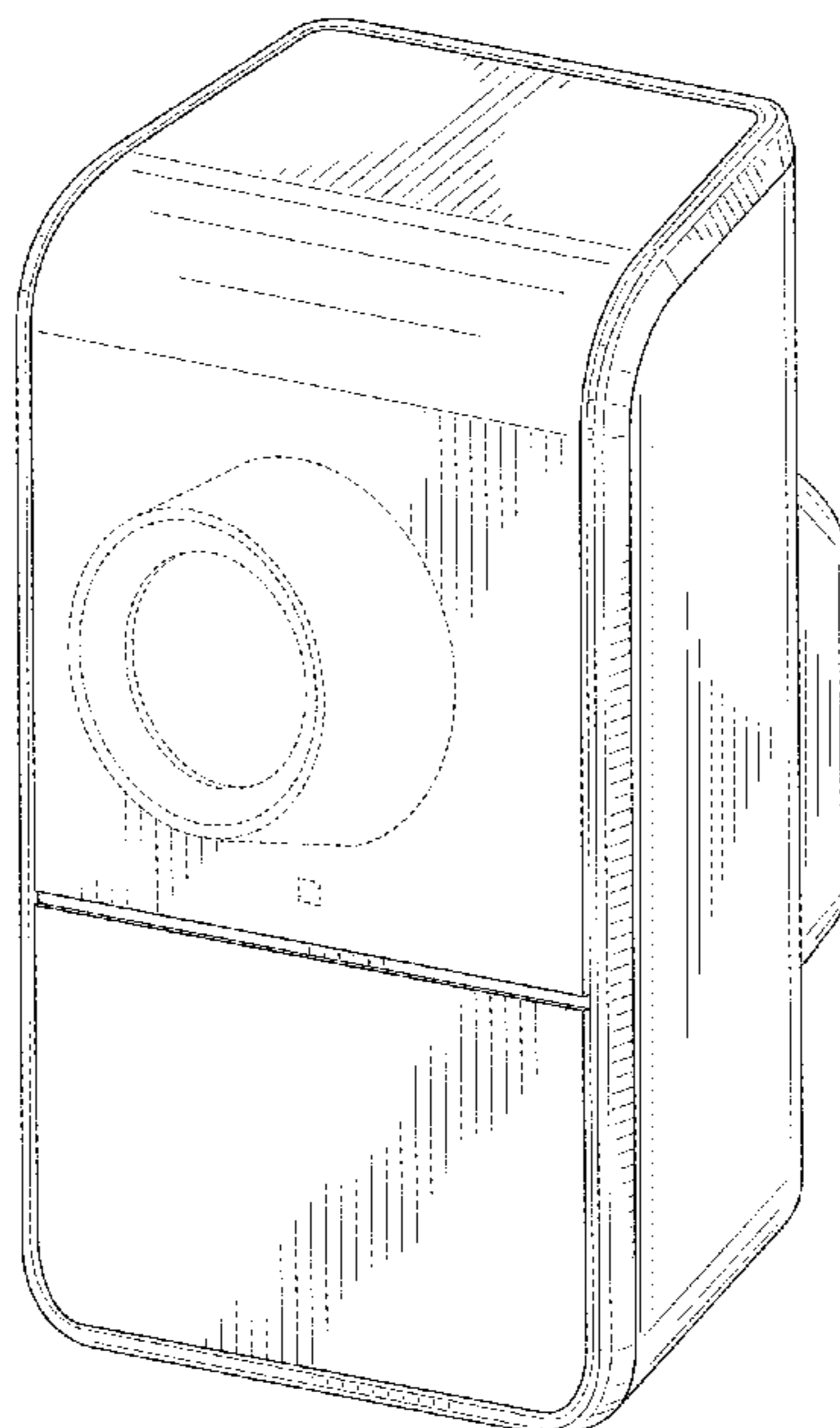
FIG. 5 is a left side elevational view showing the design for the camera of FIG. 1;

FIG. 6 is a top plan view showing the design for the camera of FIG. 1; and,

FIG. 7 is a bottom plan view showing the design for the camera of FIG. 1.

The broken lines shown in the drawings illustrate portions of the camera that form no part of the claimed design.

1 Claim, 6 Drawing Sheets



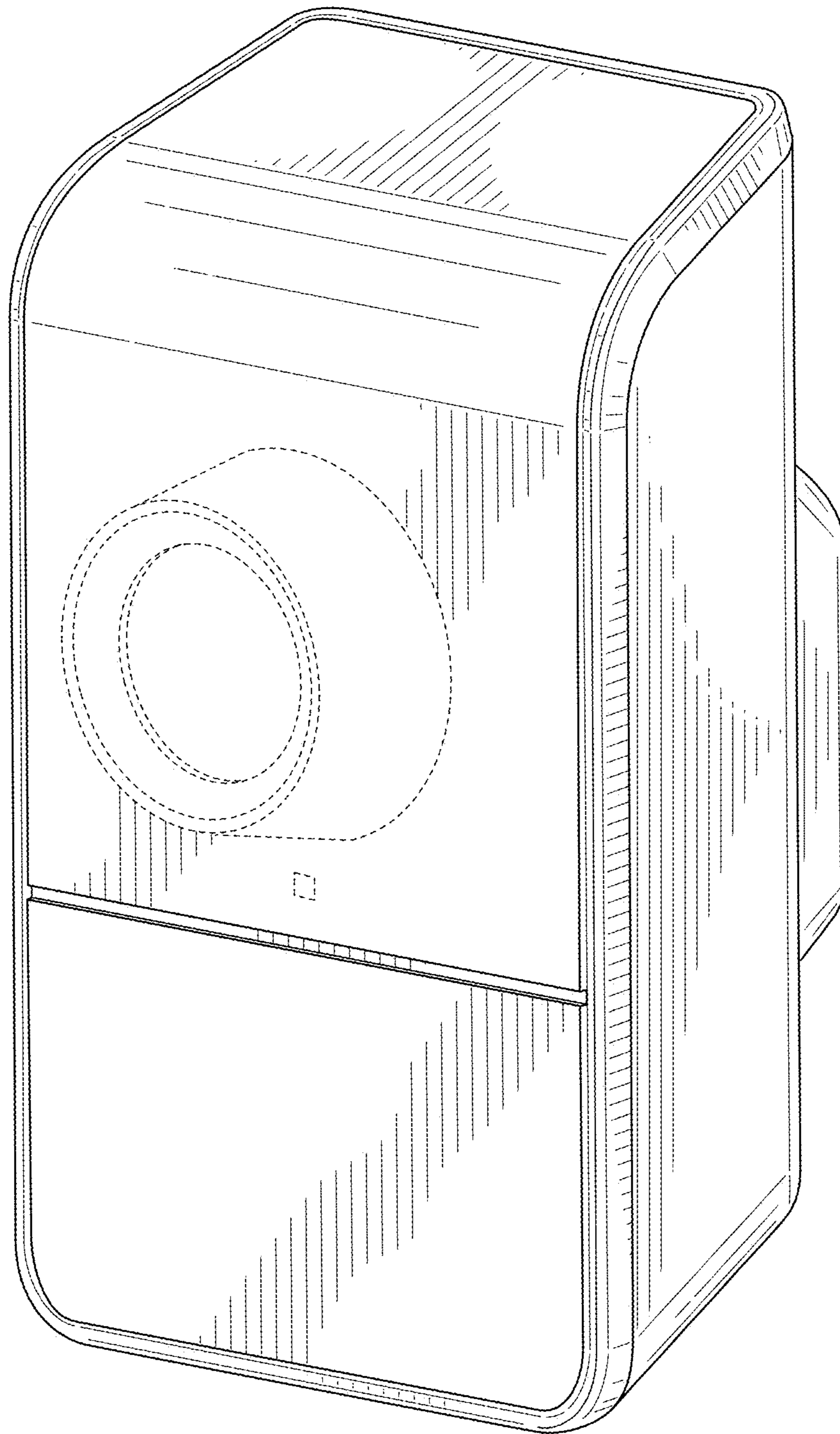


FIG. 1

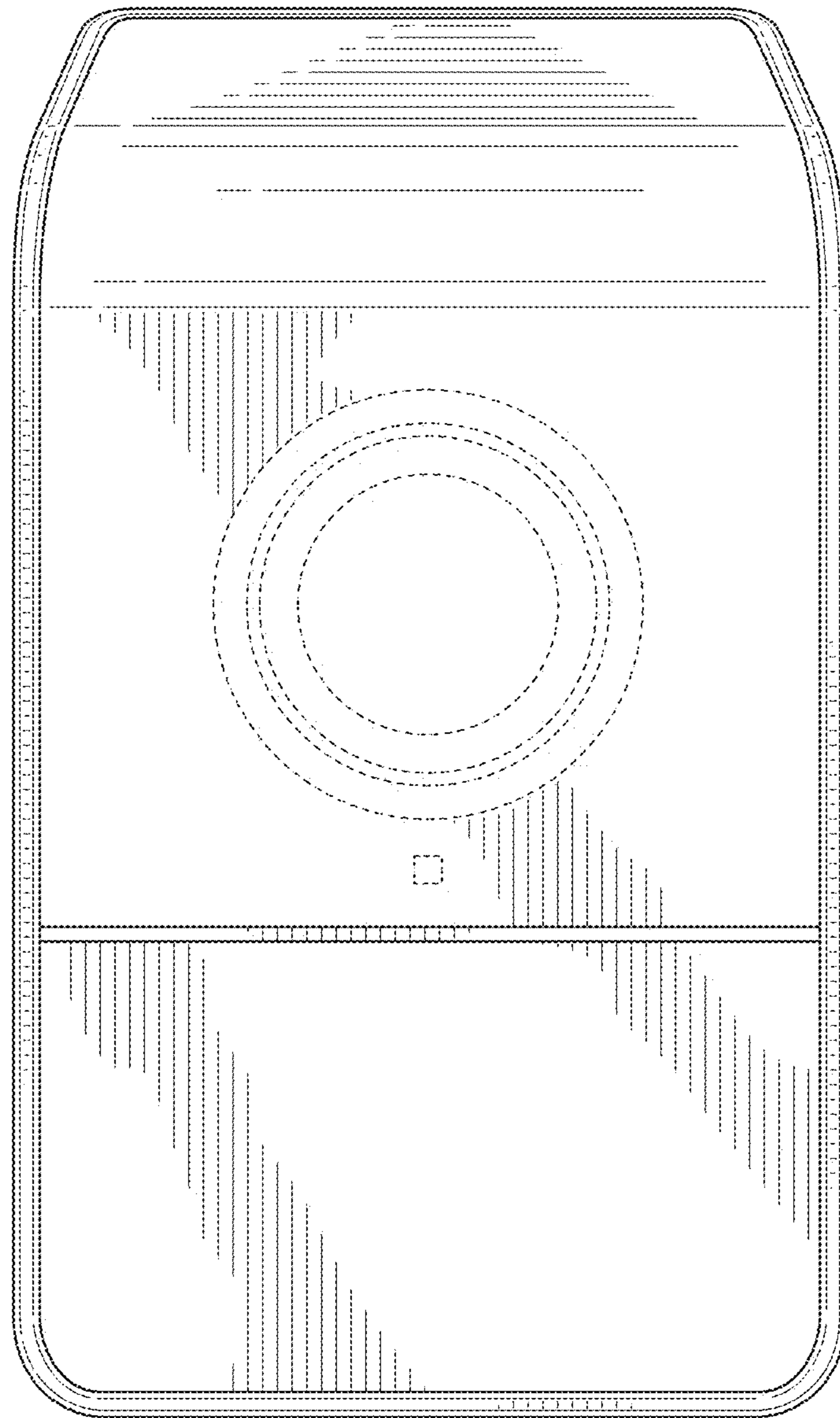


FIG. 2

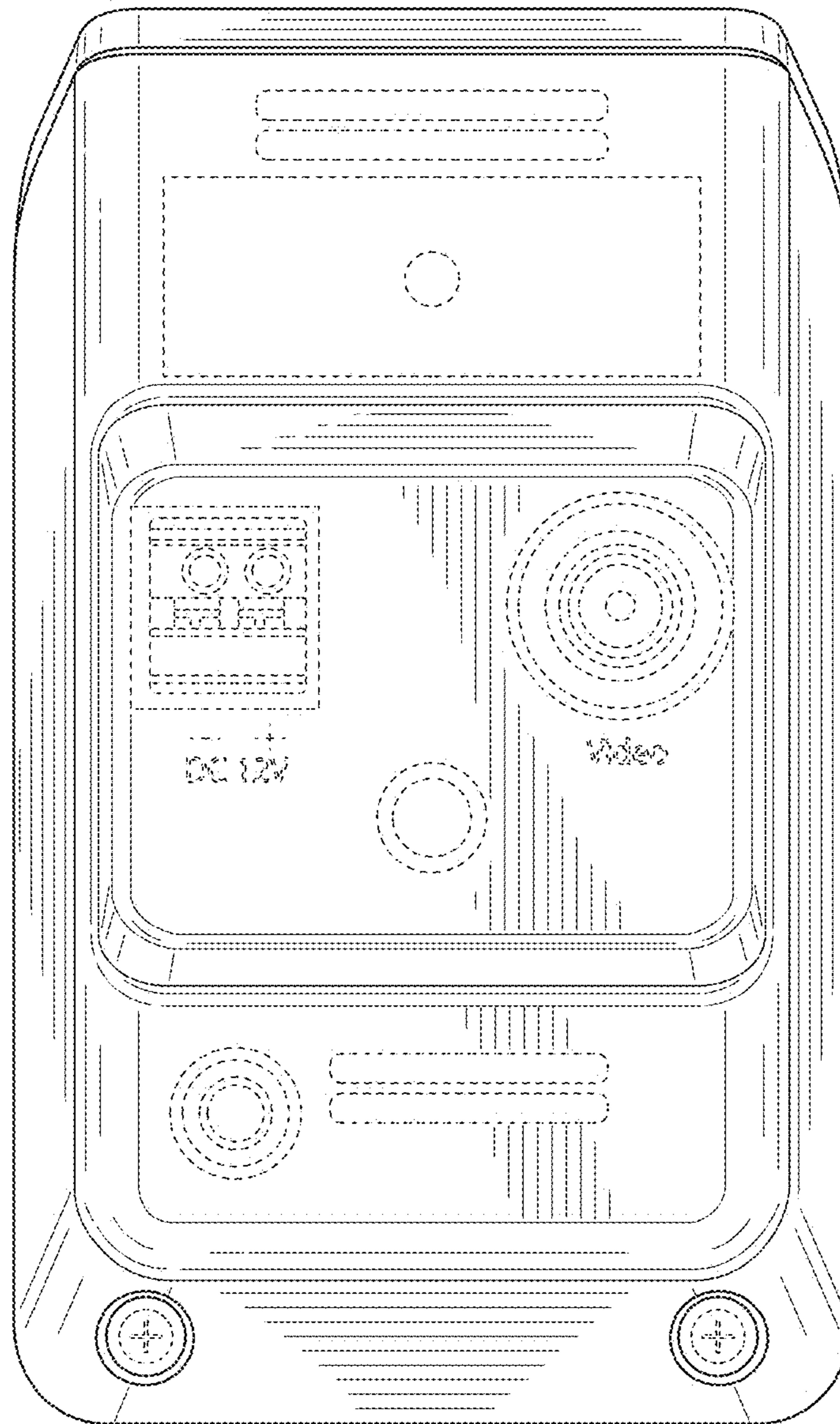


FIG. 3

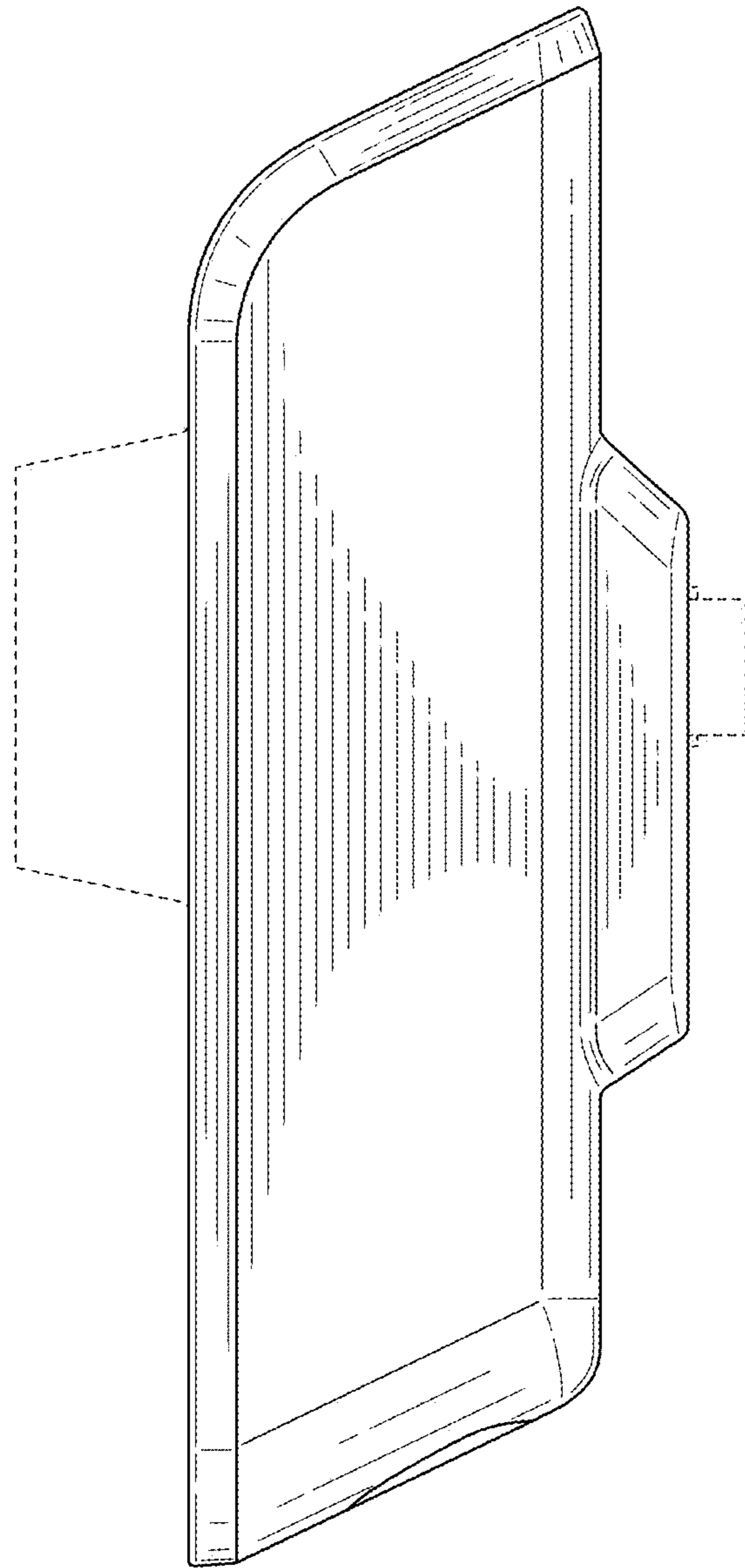


FIG. 4

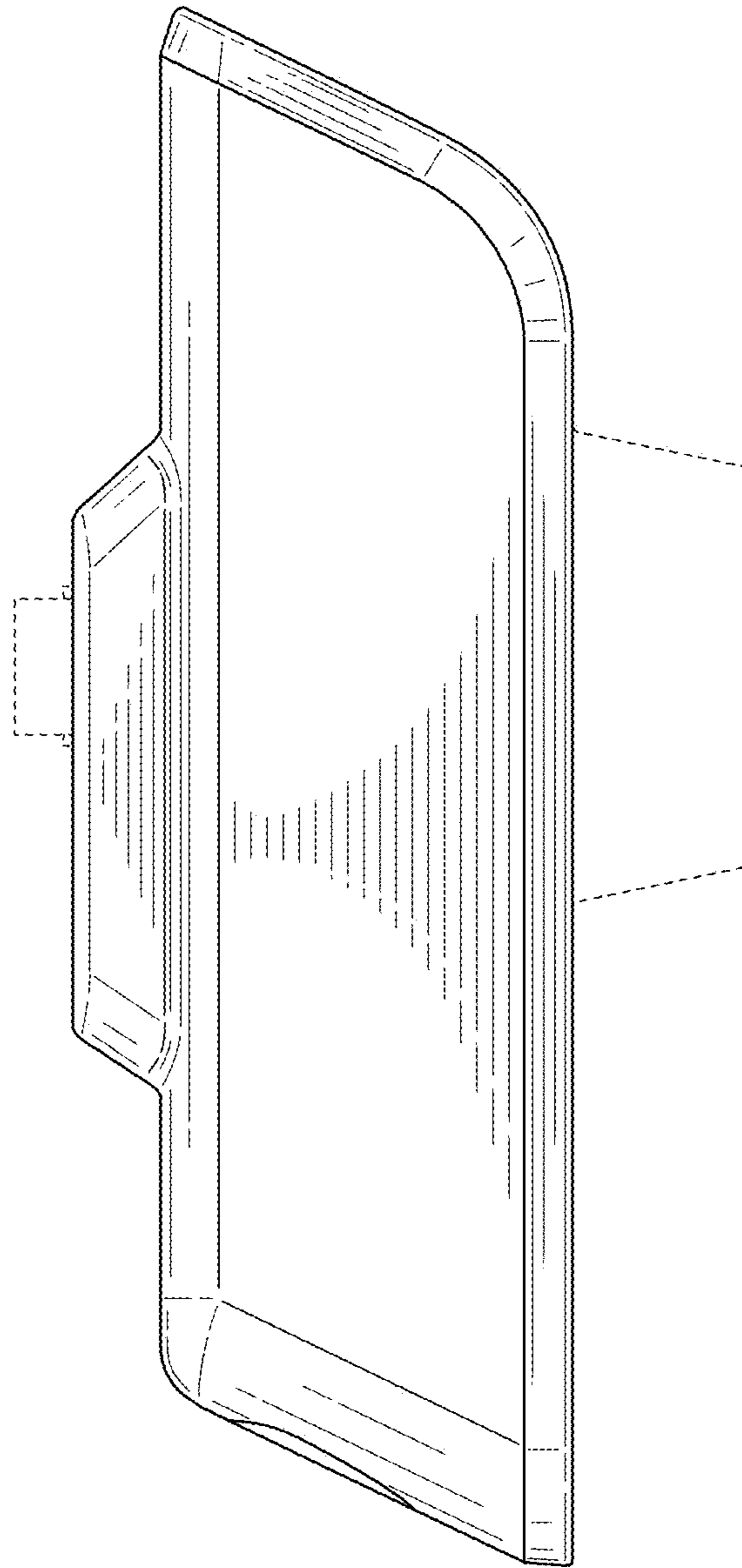


FIG. 5

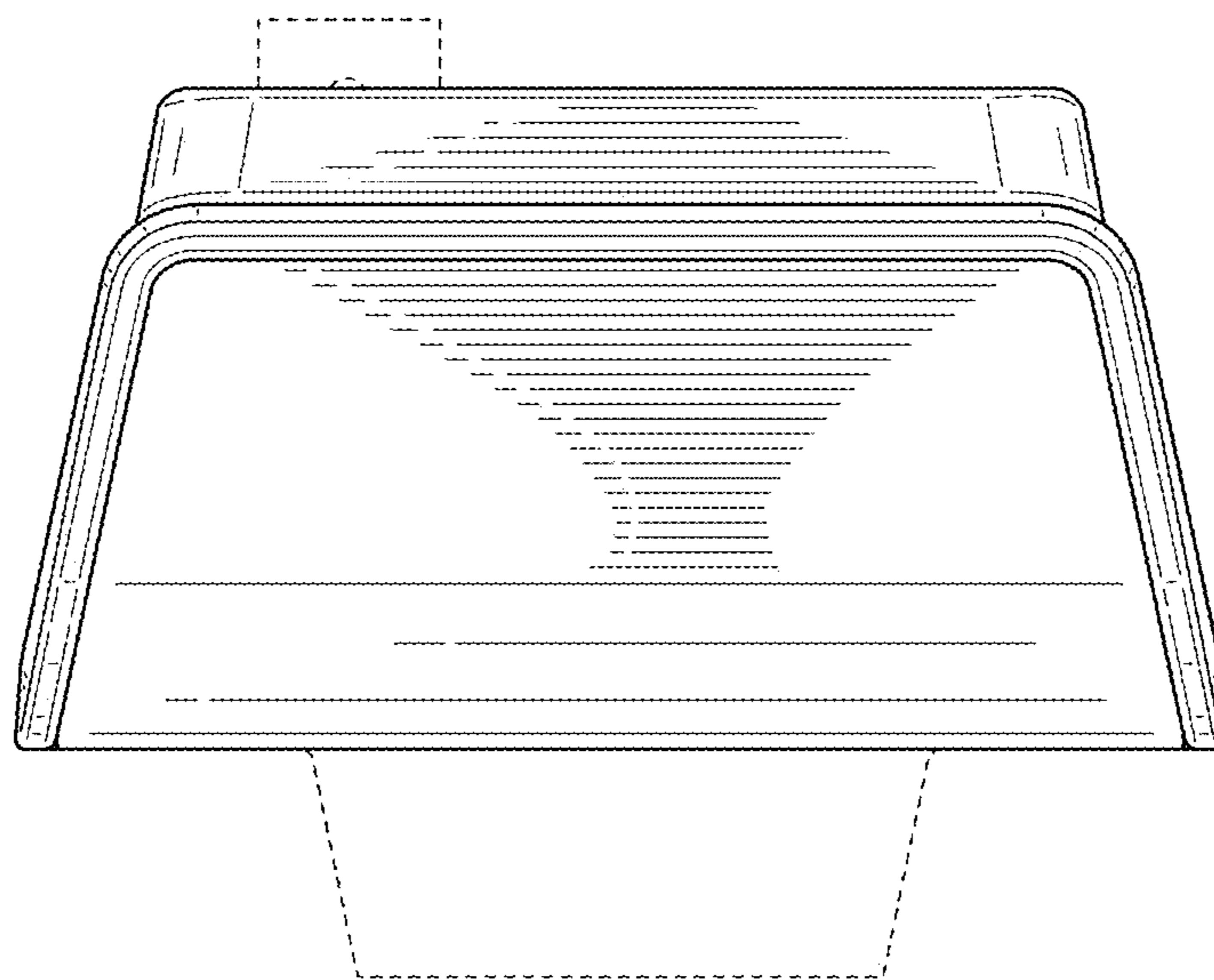


FIG. 6

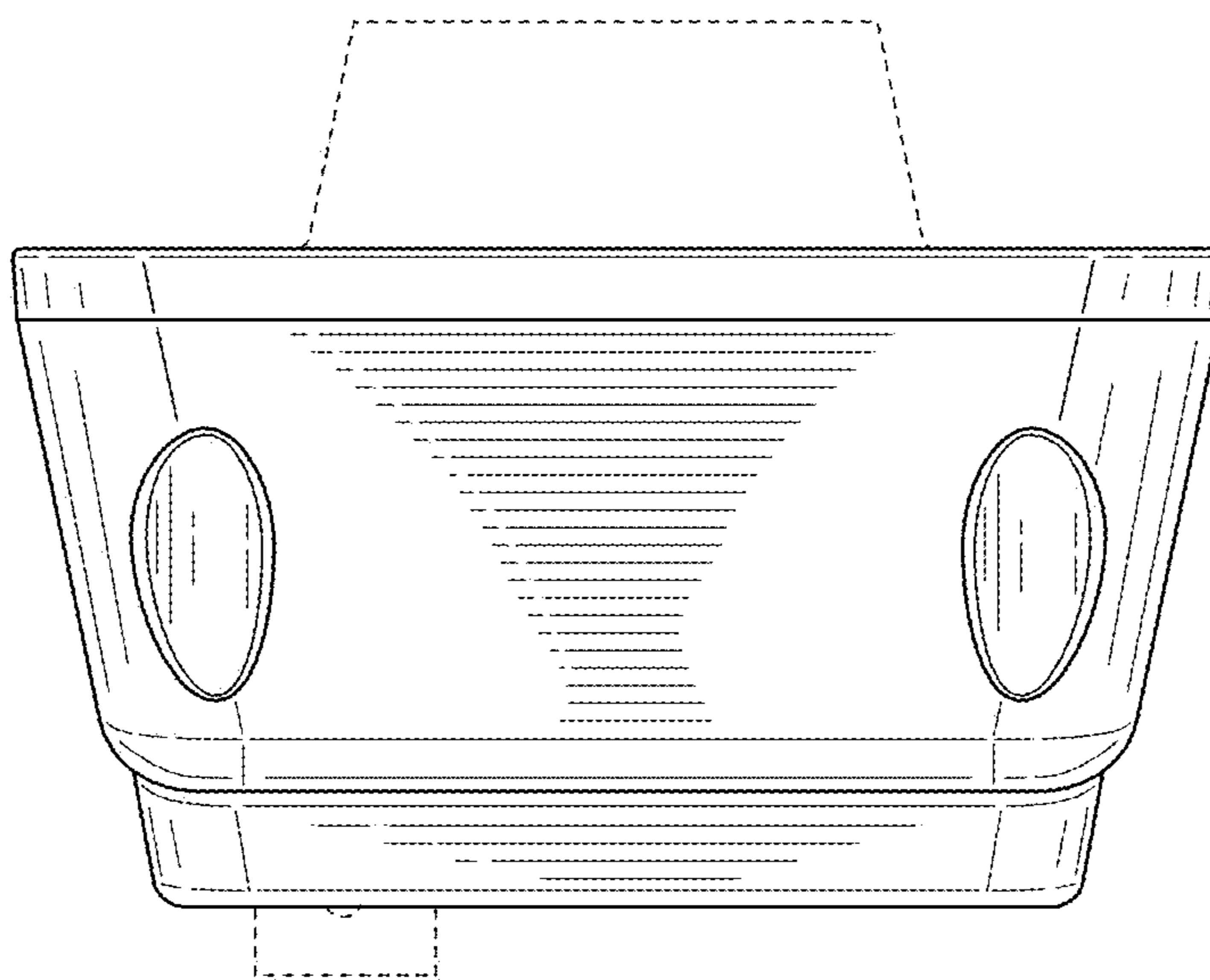


FIG. 7