



US00D736844S

(12) **United States Design Patent**
Jang et al.

(10) **Patent No.:** **US D736,844 S**

(45) **Date of Patent:** **** Aug. 18, 2015**

(54) **CAMERA**

(71) Applicant: **Samsung Electronics Co., Ltd.**,
Suwon-si, Gyeonggi-do (KR)

(72) Inventors: **Young-Sang Jang**, Anyang-si (KR);
Ki-Jin Kwon, Gyeonggi-do (KR);
Eui-Hoon Kim, Uiwang-si (KR)

(73) Assignee: **Samsung Electronics Co., Ltd.**,
Suwon-Si (KR)

(**) Term: **14 Years**

(21) Appl. No.: **29/488,229**

(22) Filed: **Apr. 17, 2014**

(30) **Foreign Application Priority Data**

Nov. 6, 2013 (KR) 30-2013-0055812

(51) **LOC (10) Cl.** **16-01**

(52) **U.S. Cl.**
USPC **D16/202; D16/219**

(58) **Field of Classification Search**
USPC D16/200, 202, 204, 206, 208, 218, 219;
348/373–376; 396/535–541

See application file for complete search history.

(56) **References Cited**

U.S. PATENT DOCUMENTS

D629,437 S *	12/2010	Takagi	D16/219
D630,662 S *	1/2011	Miyashita	D16/219
7,929,859 B2 *	4/2011	Saiki	396/543
8,014,667 B2 *	9/2011	Saiki	396/535
D682,340 S *	5/2013	Hibi et al.	D16/219
D695,810 S *	12/2013	Soejima	D16/219
D698,848 S *	2/2014	Uemachi et al.	D16/219
D723,088 S *	2/2015	Jang et al.	D16/219

* cited by examiner

Primary Examiner — Adir Aronovich

(74) *Attorney, Agent, or Firm* — Ladas & Parry LLP

(57) **CLAIM**

The ornamental design for a camera, as shown and described.

DESCRIPTION

FIG. 1 is a top, front perspective view of a camera showing our new design;

FIG. 2 is a front elevational view thereof;

FIG. 3 is a rear elevational view thereof;

FIG. 4 is a left side elevational view thereof;

FIG. 5 is a right side elevational view thereof;

FIG. 6 is a top plan view thereof; and,

FIG. 7 is a bottom plan view thereof.

The broken lines throughout the drawings depict the portions of a camera in which the design is embodied and form no part of the claimed design.

1 Claim, 4 Drawing Sheets

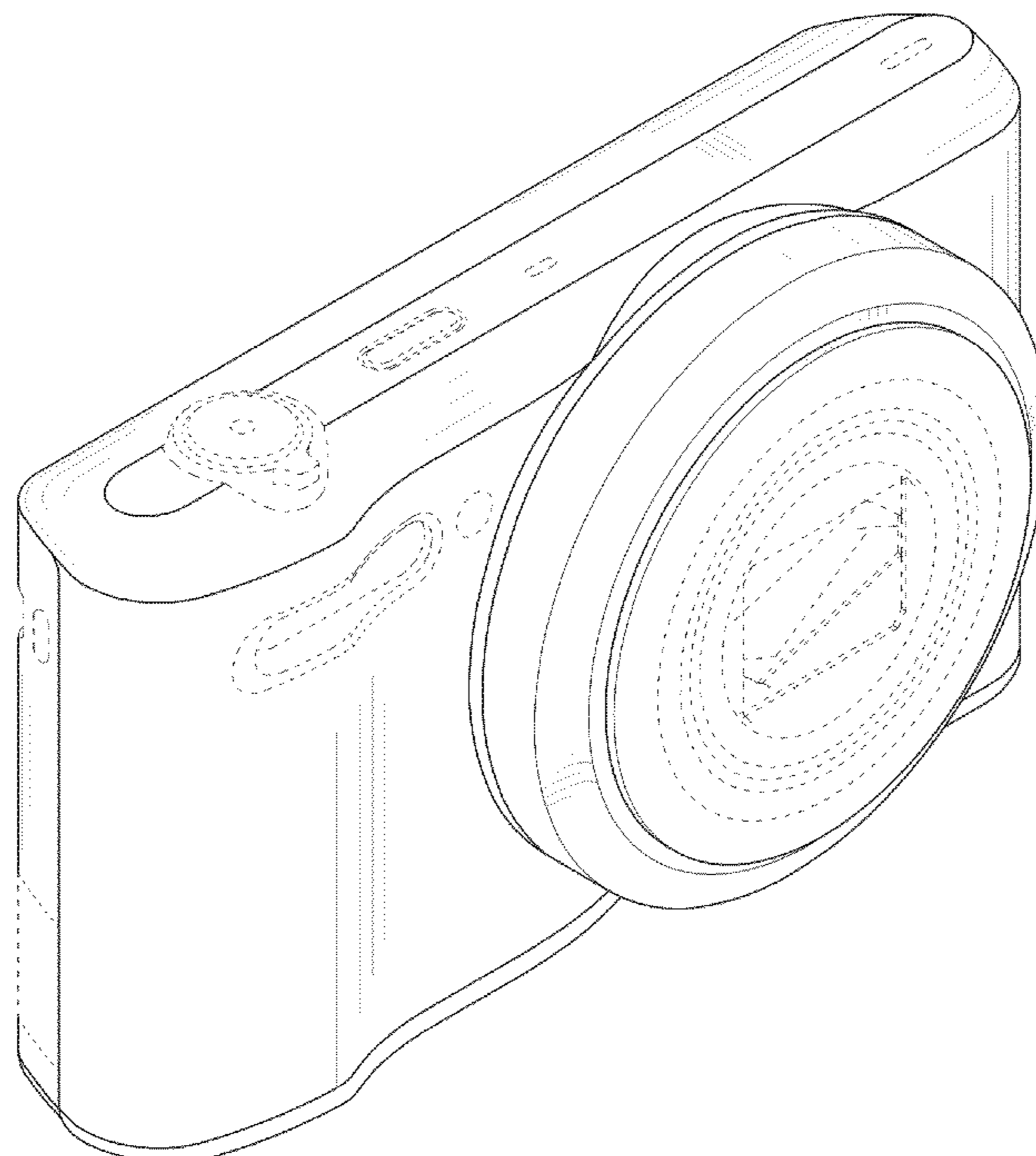


FIG. 1

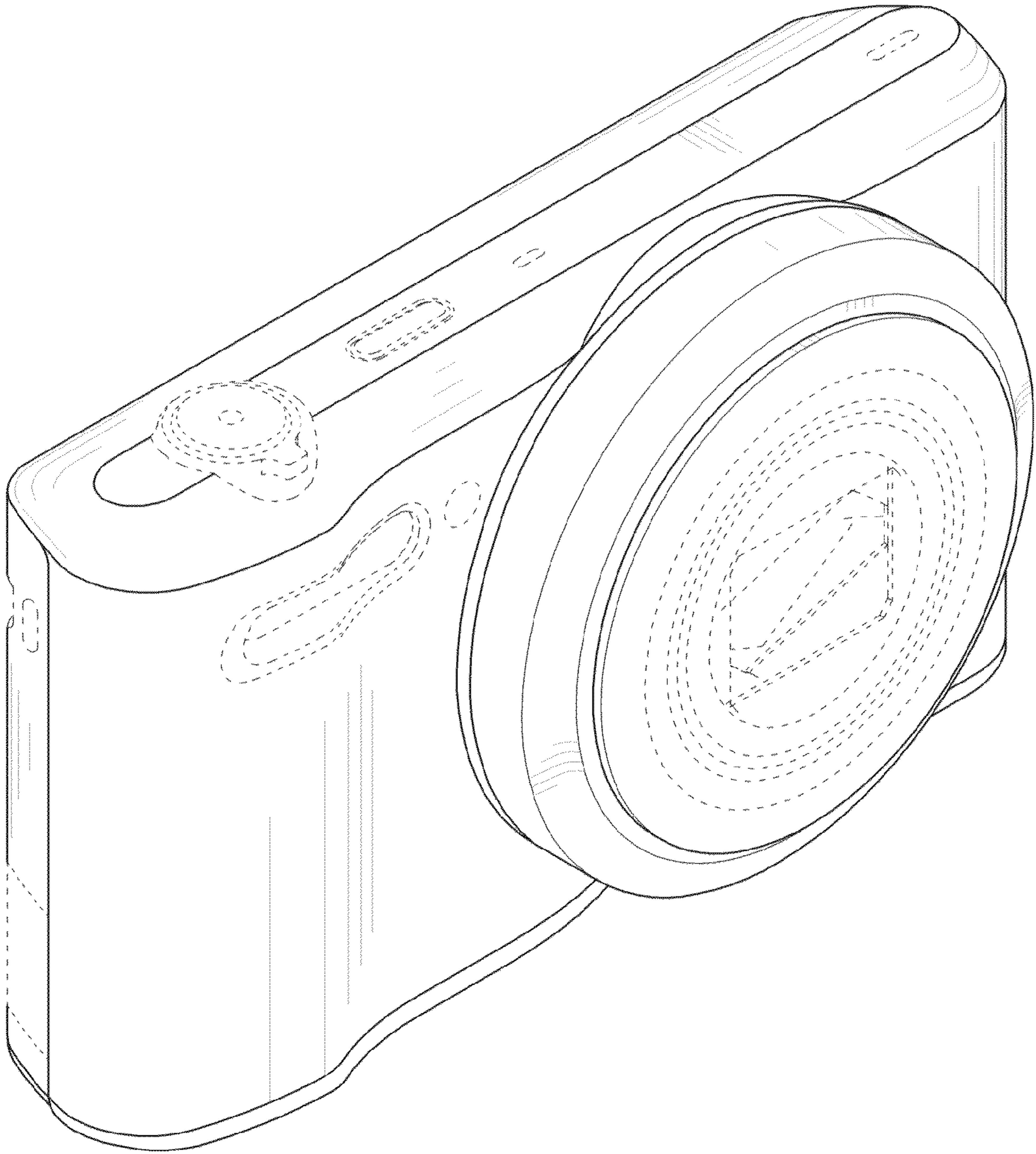


FIG. 2

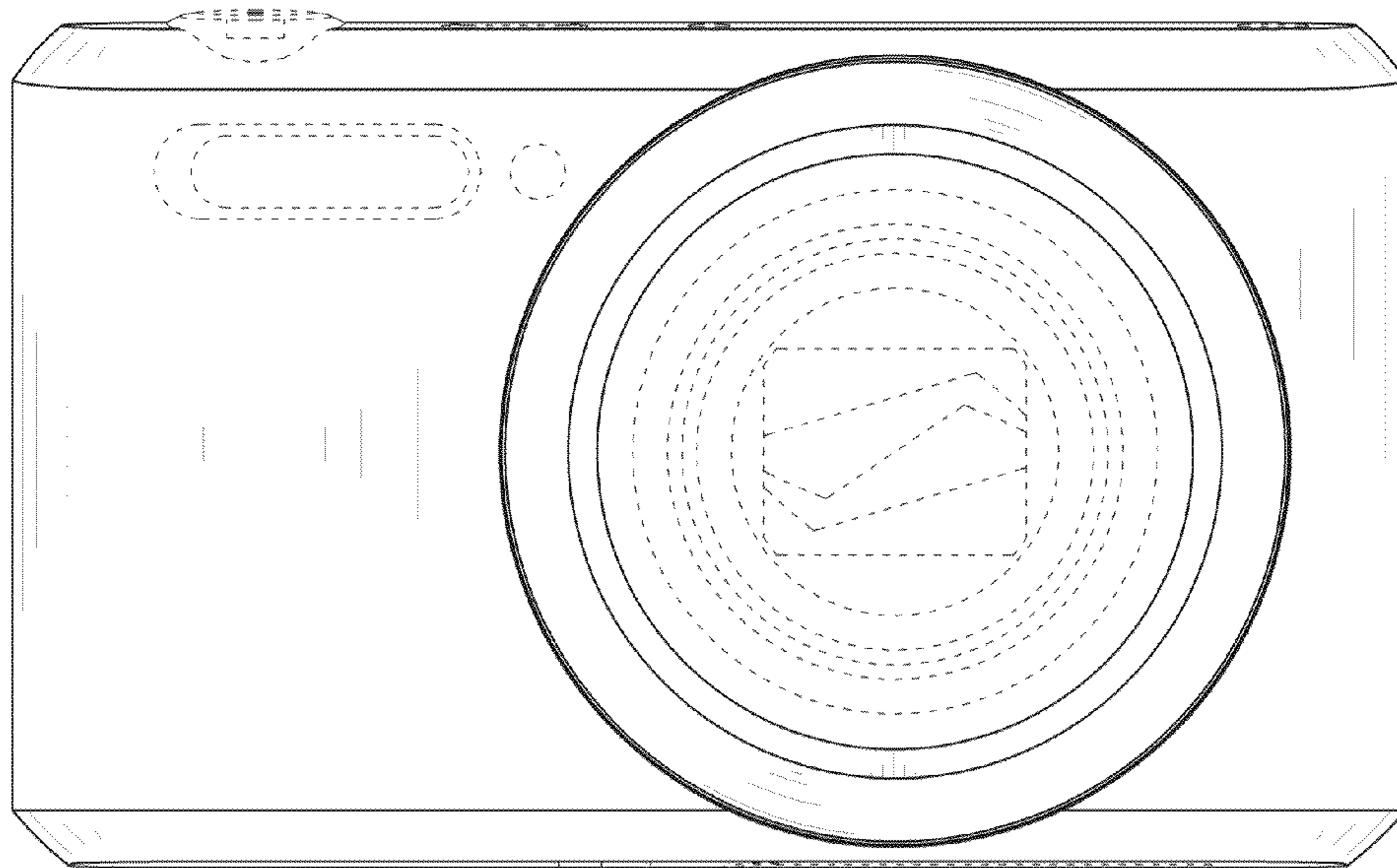


FIG. 3

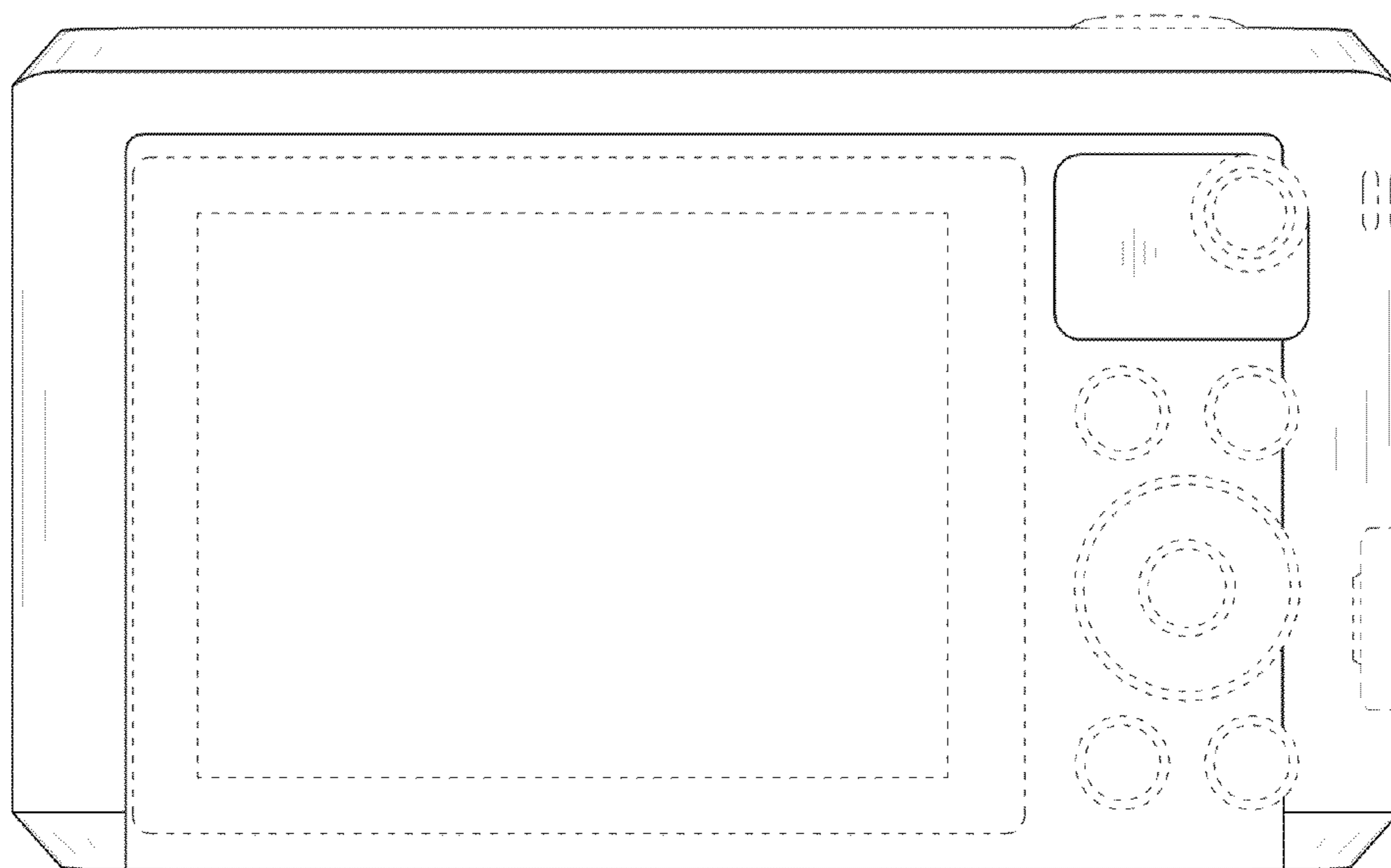


FIG. 4

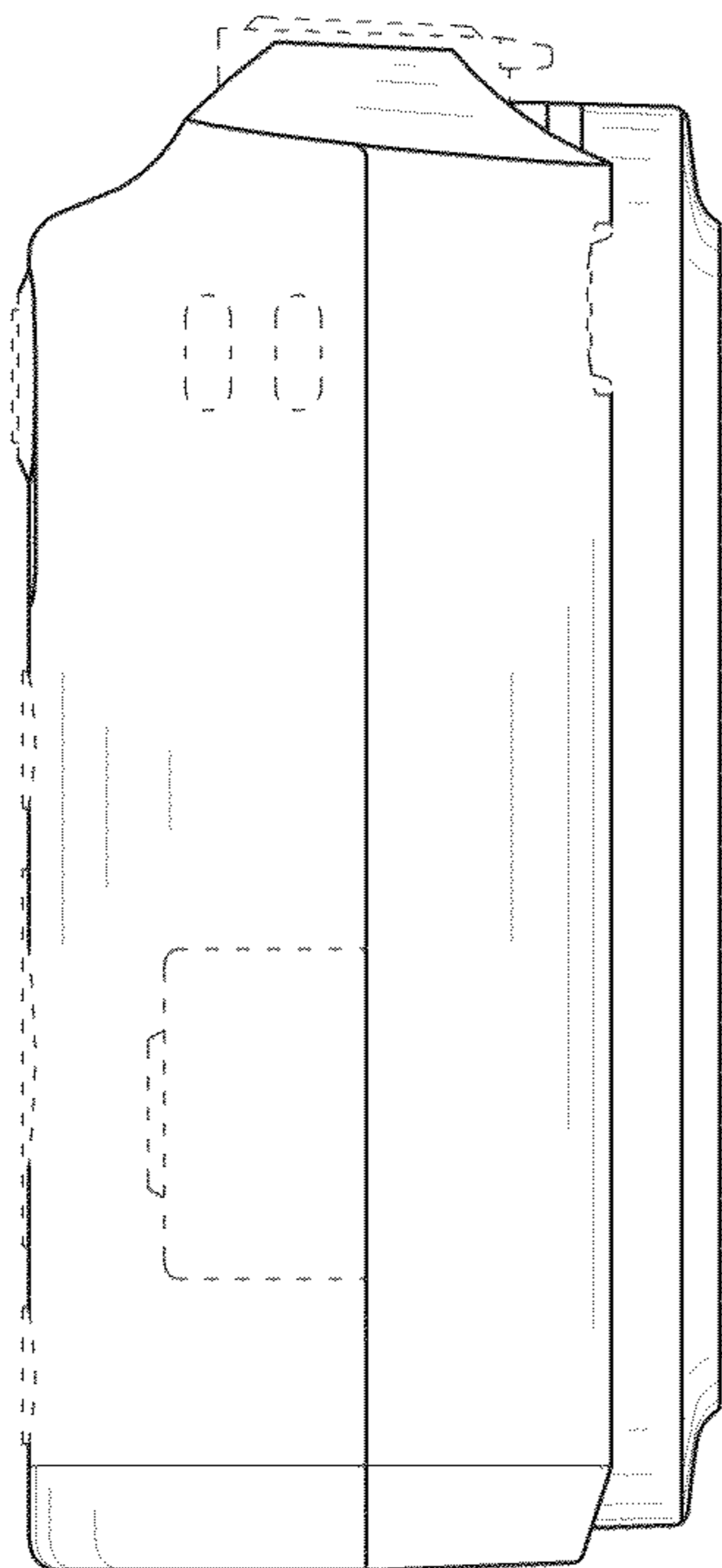


FIG. 5

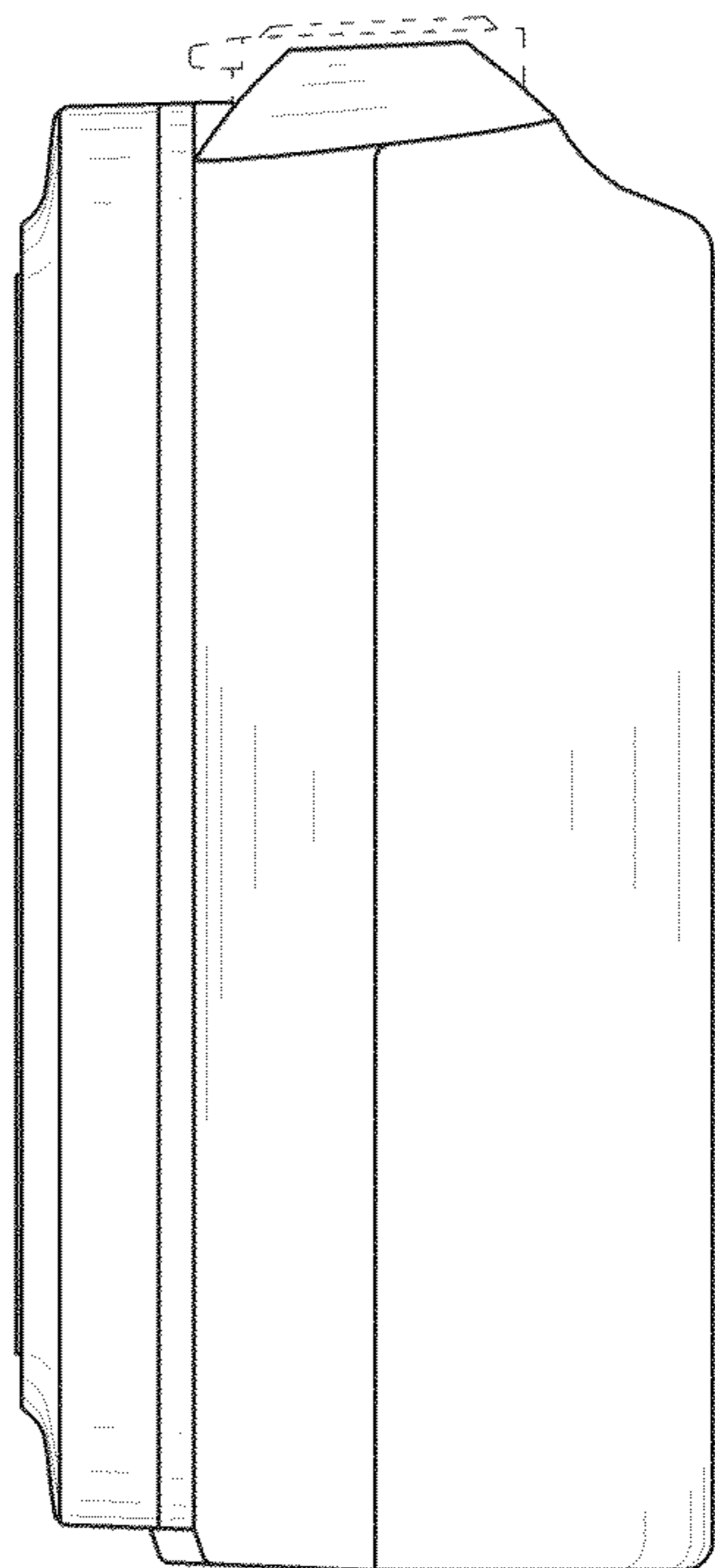


FIG. 6

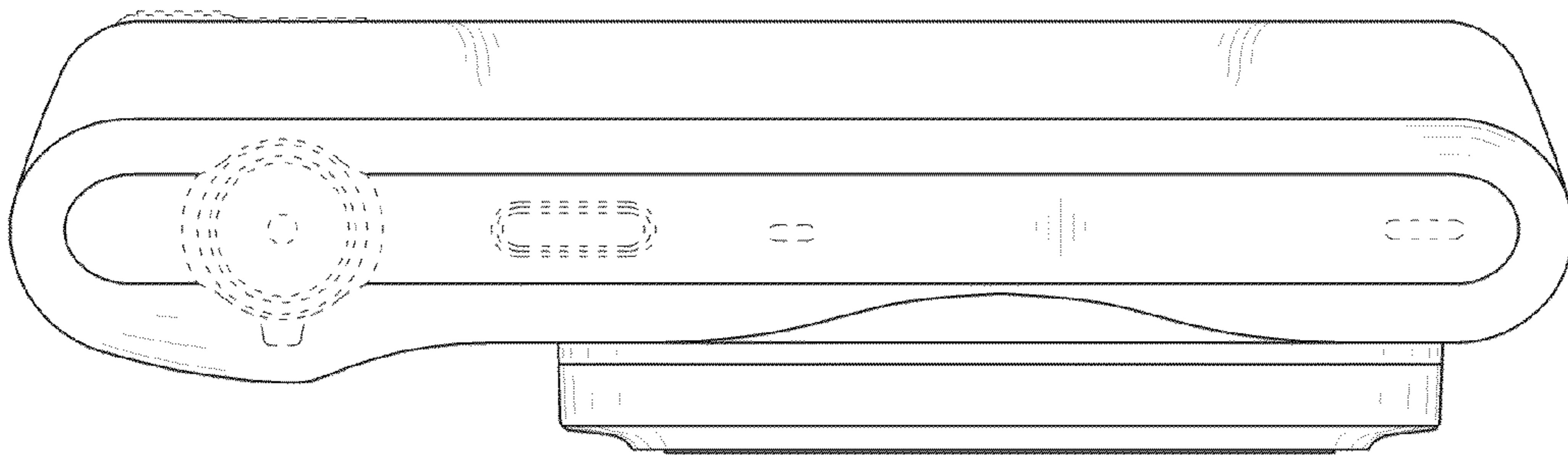


FIG. 7

