



US00D736843S

(12) **United States Design Patent**
Hofmann et al.

(10) **Patent No.:** **US D736,843 S**

(45) **Date of Patent:** **** Aug. 18, 2015**

(54) **MICROSCOPE**

(71) Applicant: **Carl Zeiss Microscopy GmbH**, Jena (DE)

(72) Inventors: **Kerstin Hofmann**, Goettingen (DE); **Axel Laschke**, Waake (DE); **Ilka Schlesiger**, Jena (DE); **Michael Winterot**, Jena (DE); **Martin Stohr**, Jena (DE)

(73) Assignee: **Carl Zeiss Microscopy GmbH**, Jena (DE)

(**) Term: **14 Years**

(21) Appl. No.: **29/494,786**

(22) Filed: **Jun. 24, 2014**

(30) **Foreign Application Priority Data**

Apr. 3, 2014 (EM) 002439794

(51) **LOC (10) CL.** **16-06**

(52) **U.S. CL.**
USPC **D16/131**

(58) **Field of Classification Search**
USPC D16/131; 359/361, 368, 376, 377, 378,
359/379, 380, 381, 382, 383, 384, 385, 388,
359/390, 393

See application file for complete search history.

(56) **References Cited**

U.S. PATENT DOCUMENTS

3,687,520 A * 8/1972 Nothnagle et al. 359/376
4,283,111 A * 8/1981 Wieber et al. 359/381
D439,258 S * 3/2001 Kawahata D16/131
D440,996 S * 4/2001 Takanashi D16/131

D457,178 S * 5/2002 Knoblich et al. D16/131
D459,744 S * 7/2002 Apotheloz D16/131
D546,355 S * 7/2007 Apotheloz D16/131
2006/0164723 A1 * 7/2006 Storz et al. 359/383
2010/0259816 A1 * 10/2010 Feger 359/385
2011/0080638 A1 * 4/2011 Feger 359/385
2011/0085234 A1 * 4/2011 Feger 359/363
2012/0008194 A1 * 1/2012 Mizuta et al. 359/377
2013/0050812 A1 * 2/2013 Qian et al. 359/376
2013/0070336 A1 * 3/2013 Thomas et al. 359/385

OTHER PUBLICATIONS

Brochure of Stemi DR, Stemi DV4 and Stemi 2000 Stereomicroscopes, 30 pages, published by Carl Zeiss Microscopy GmbH, Jena, Germany.

Brochure of Stemi 2000 Stereomicroscopes, 6 pages, published by Carl Zeiss Microscopy GmbH, Jena, Germany.

* cited by examiner

Primary Examiner — Derrick Holland

Assistant Examiner — Lauren Calve

(74) *Attorney, Agent, or Firm* — Christensen Fonder, P.A.

(57) **CLAIM**

We claim the ornamental design for a microscope, as shown and described.

DESCRIPTION

FIG. 1 is a front perspective view of a microscope.

FIG. 2 is a right side elevational view thereof.

FIG. 3 is a left side elevational view thereof.

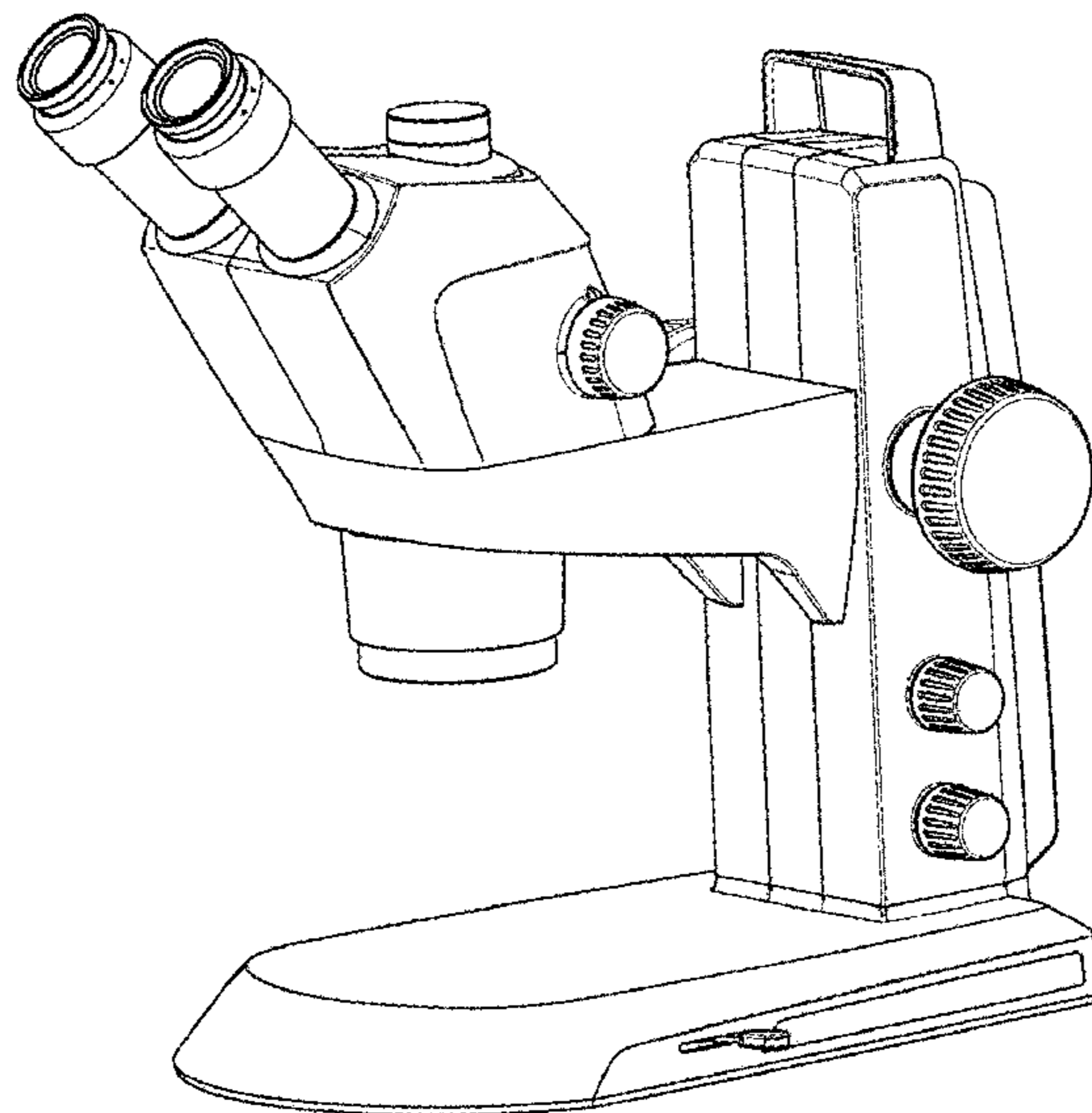
FIG. 4 is a front elevational view thereof.

FIG. 5 is a rear elevational view thereof; and,

FIG. 6 is top plan view thereof.

The broken lines shown represent unclaimed subject matter and form no part of the claimed design. The bottom side of the microscope forms no part of the claimed design.

1 Claim, 6 Drawing Sheets



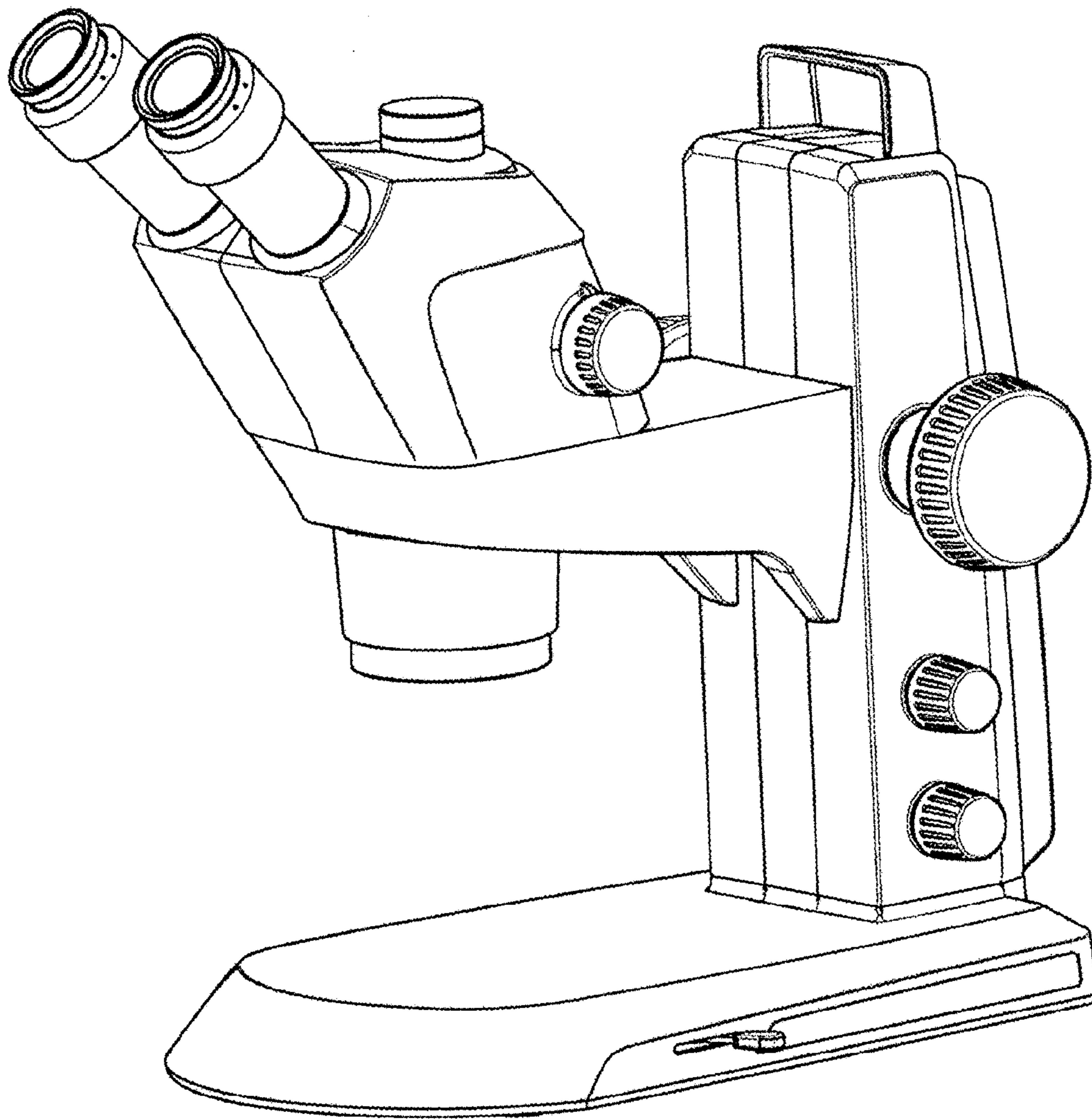


FIG. 1

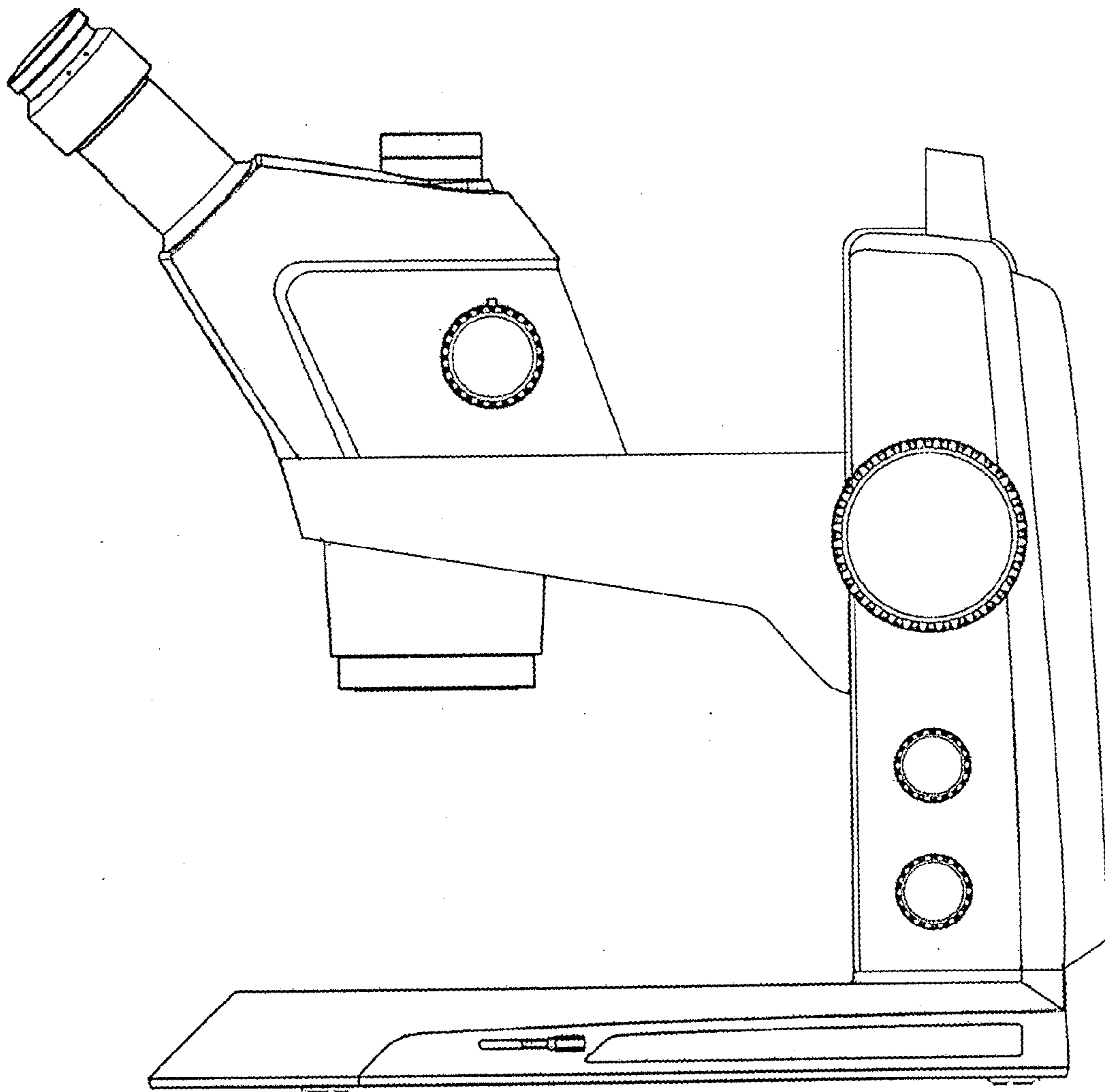


FIG. 2

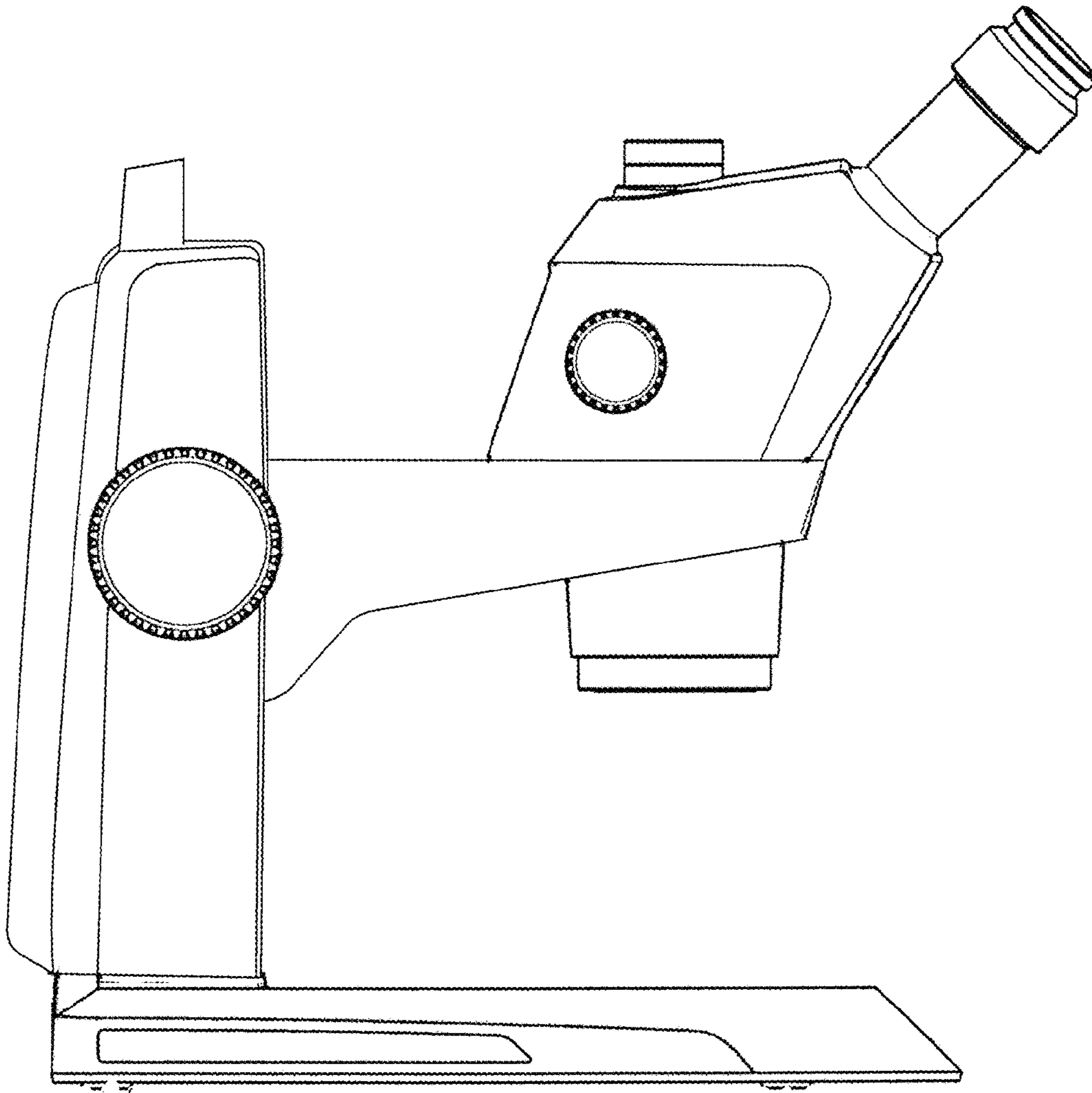


FIG. 3

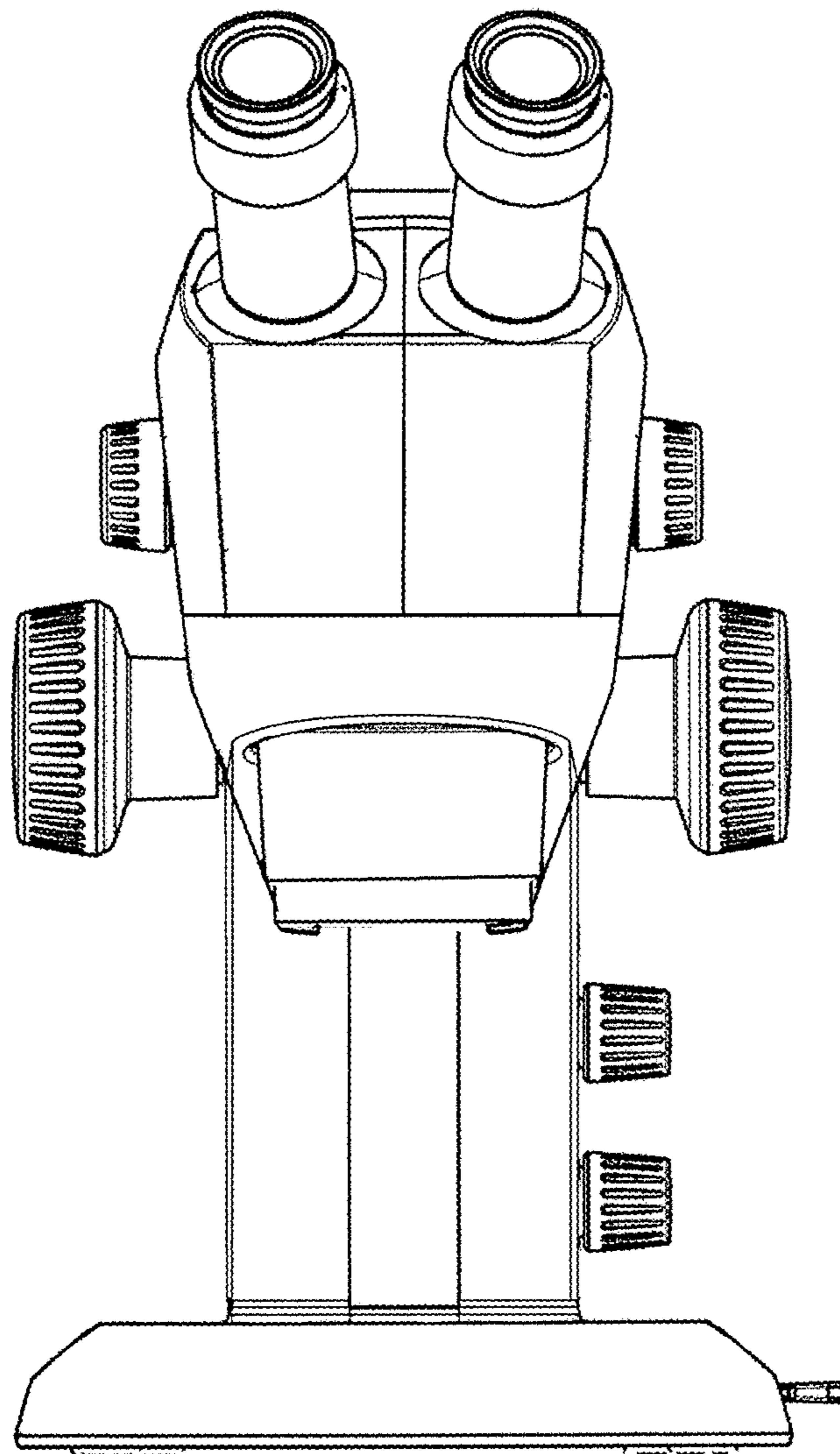


FIG. 4

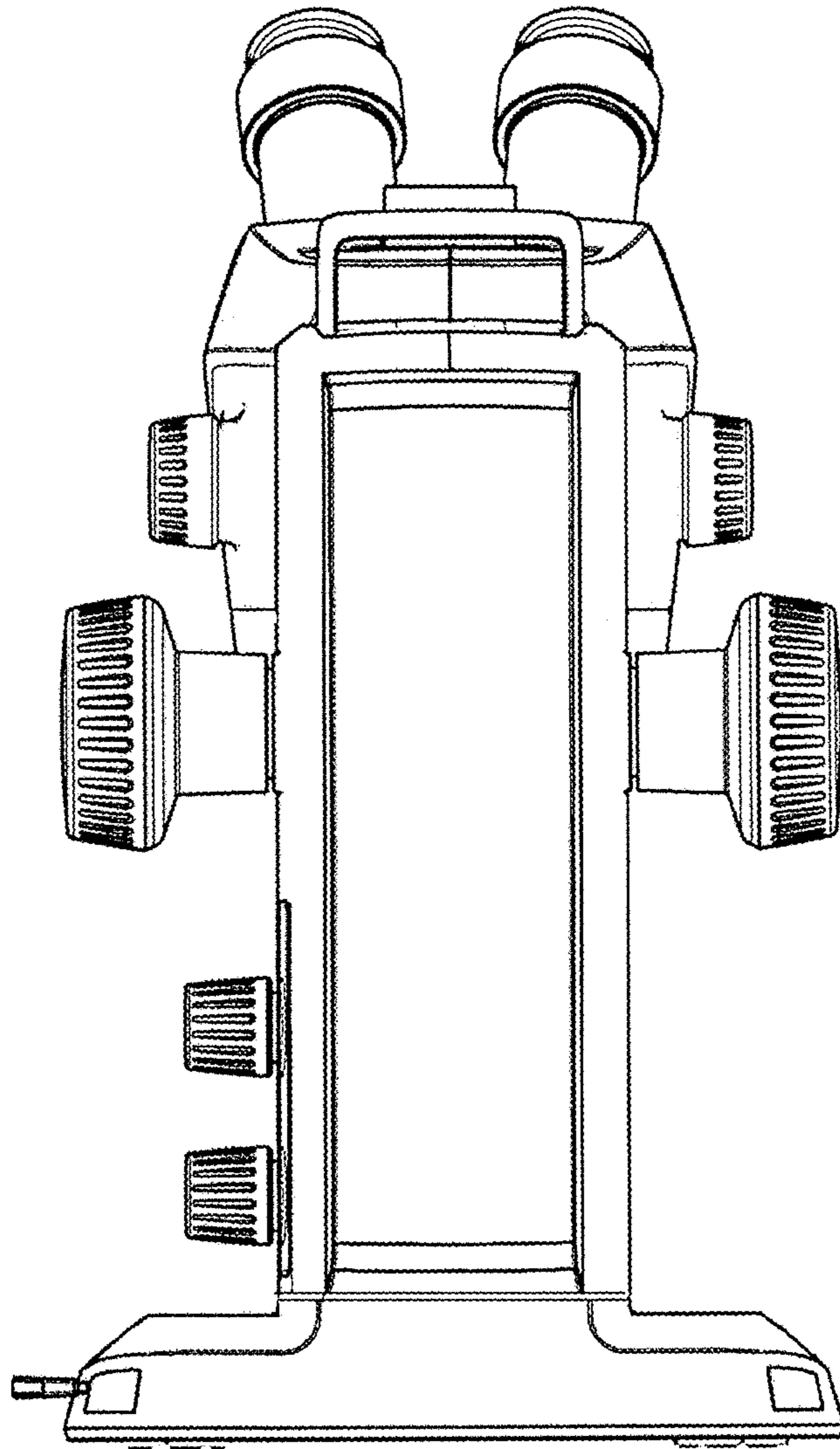


FIG. 5

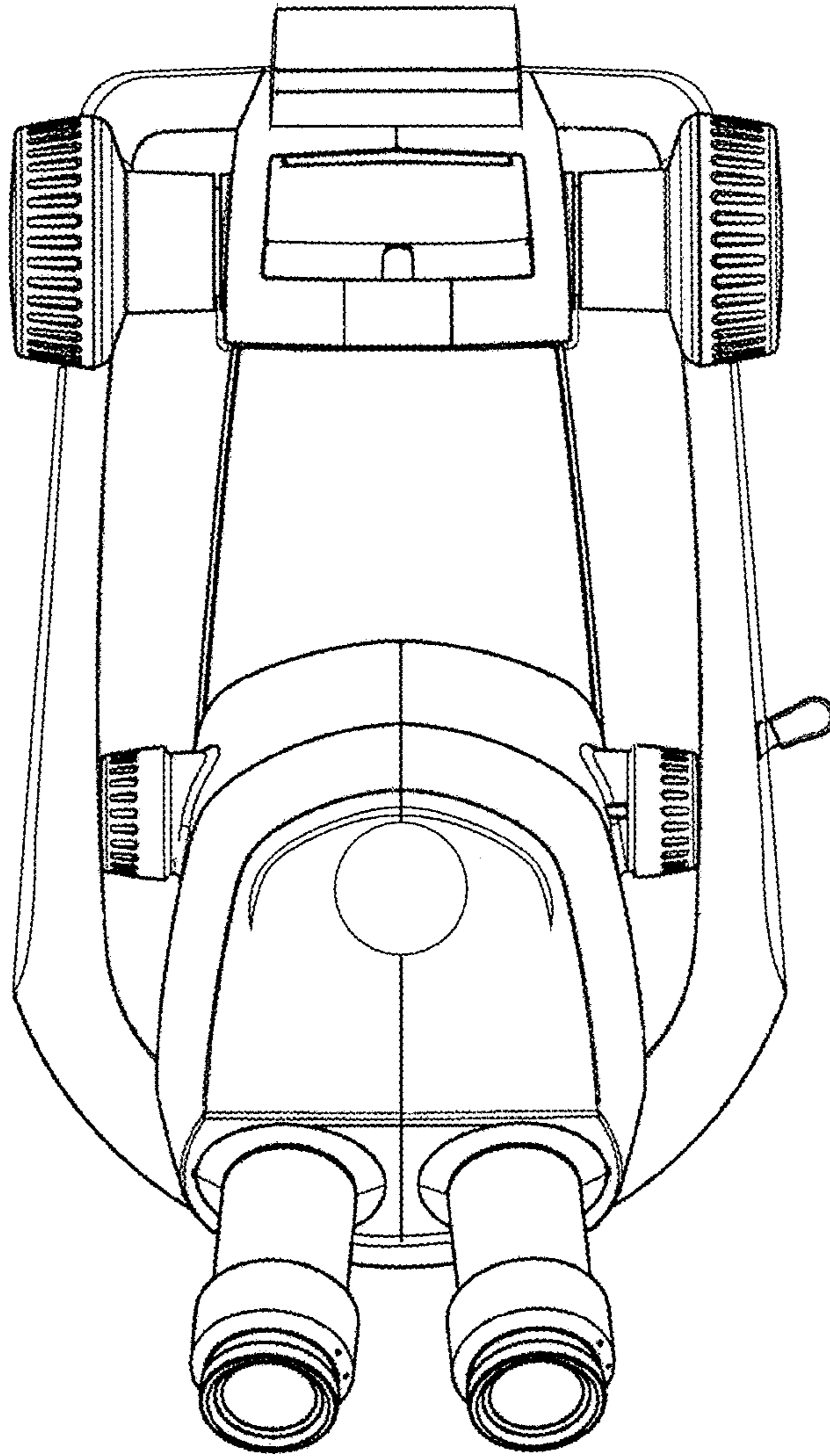


FIG. 6