



US00D736841S

(12) **United States Design Patent**
Jung

(10) **Patent No.:** **US D736,841 S**

(45) **Date of Patent:** **** Aug. 18, 2015**

(54) **CUTTING INSERT**

(71) Applicant: **TaeguTec Ltd.**, Daegu (KR)

(72) Inventor: **Kang Sool Jung**, Daegu (KR)

(73) Assignee: **TaeguTec Ltd.**, Daegu (KR)

(**) Term: **14 Years**

(21) Appl. No.: **29/503,387**

(22) Filed: **Sep. 25, 2014**

(51) **LOC (10) Cl.** **15-09**

(52) **U.S. Cl.**
USPC **D15/139**

(58) **Field of Classification Search**
USPC D15/139, 140, 138; D7/70, 20;
407/113, 114
CPC B23B 27/145; B23B 27/1622; B23B
2200/048; B23B 2200/204; B23B 2200/085;
B23B 2200/0423; B23C 5/207; B23C 5/205;
B23C 2200/125; B23C 2200/0416; B23C
2200/0477; B23C 2200/0494
See application file for complete search history.

(56) **References Cited**

U.S. PATENT DOCUMENTS

5,193,946	A *	3/1993	Arai et al.	407/113
D342,269	S *	12/1993	Arai et al.	D15/139
5,800,100	A *	9/1998	Krenzer	408/224
D559,286	S *	1/2008	Waggle et al.	D15/139

D579,470	S *	10/2008	Maeta et al.	D15/139
D588,616	S *	3/2009	Tanaka et al.	D15/139
D705,281	S *	5/2014	Heinasenaho	D15/139
D715,840	S *	10/2014	Park	D15/139
D718,357	S *	11/2014	Park	D15/139
2005/0214080	A1 *	9/2005	Satran	407/113
2007/0031200	A1 *	2/2007	Maeda	407/34
2011/0255924	A1 *	10/2011	Choi et al.	407/42
2014/0298967	A1 *	10/2014	Ishi	83/13

* cited by examiner

Primary Examiner — Susan Hattan

Assistant Examiner — Brett Miller

(74) *Attorney, Agent, or Firm* — Hamre, Schumann, Mueller & Larson, P.C.

(57) **CLAIM**

The ornamental design for a cutting insert, as shown and described.

DESCRIPTION

FIG. 1 is a perspective view of a cutting insert showing my new design;
FIG. 2 is a front elevational view thereof;
FIG. 3 is a rear elevational view thereof;
FIG. 4 is a left side view thereof;
FIG. 5 is a right side view thereof;
FIG. 6 is a top plan view thereof;
FIG. 7 is a bottom plan view thereof; and,
FIG. 8 is a cross-sectional view taken along line 8-8 of FIG. 2.
The broken lines depict portions of the cutting insert that form no part of the claim.

1 Claim, 4 Drawing Sheets

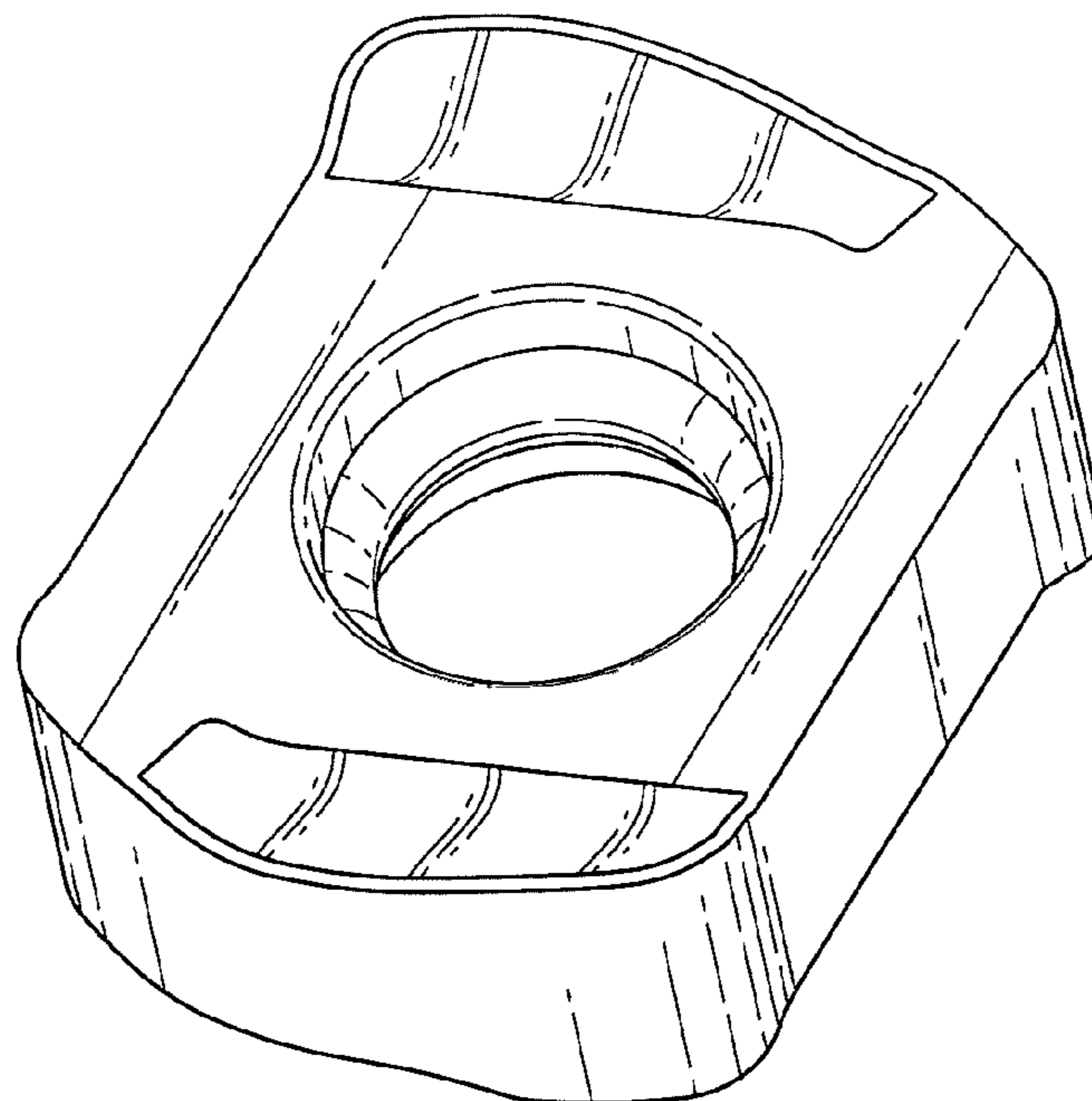


Fig. 1

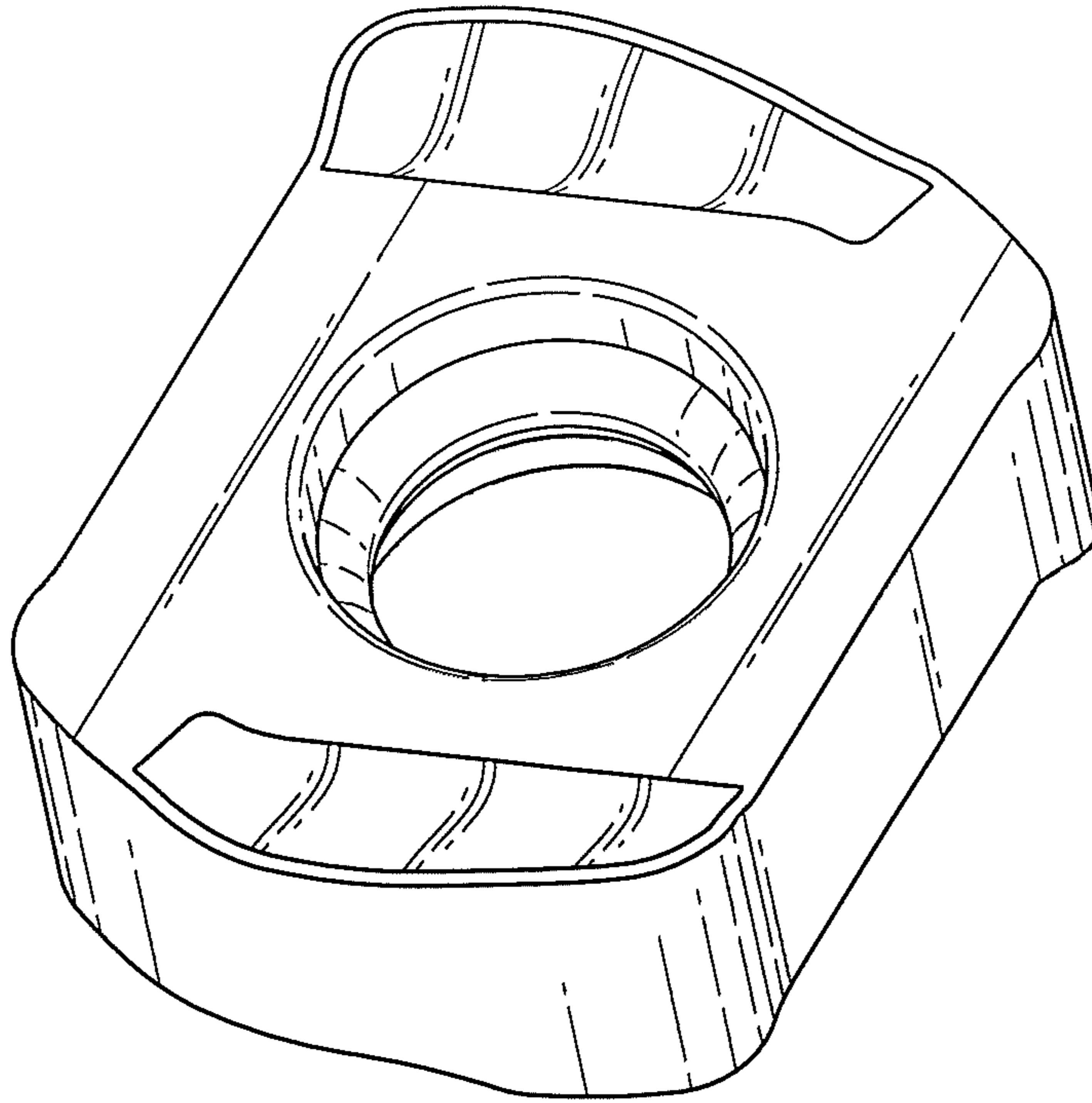


Fig. 2

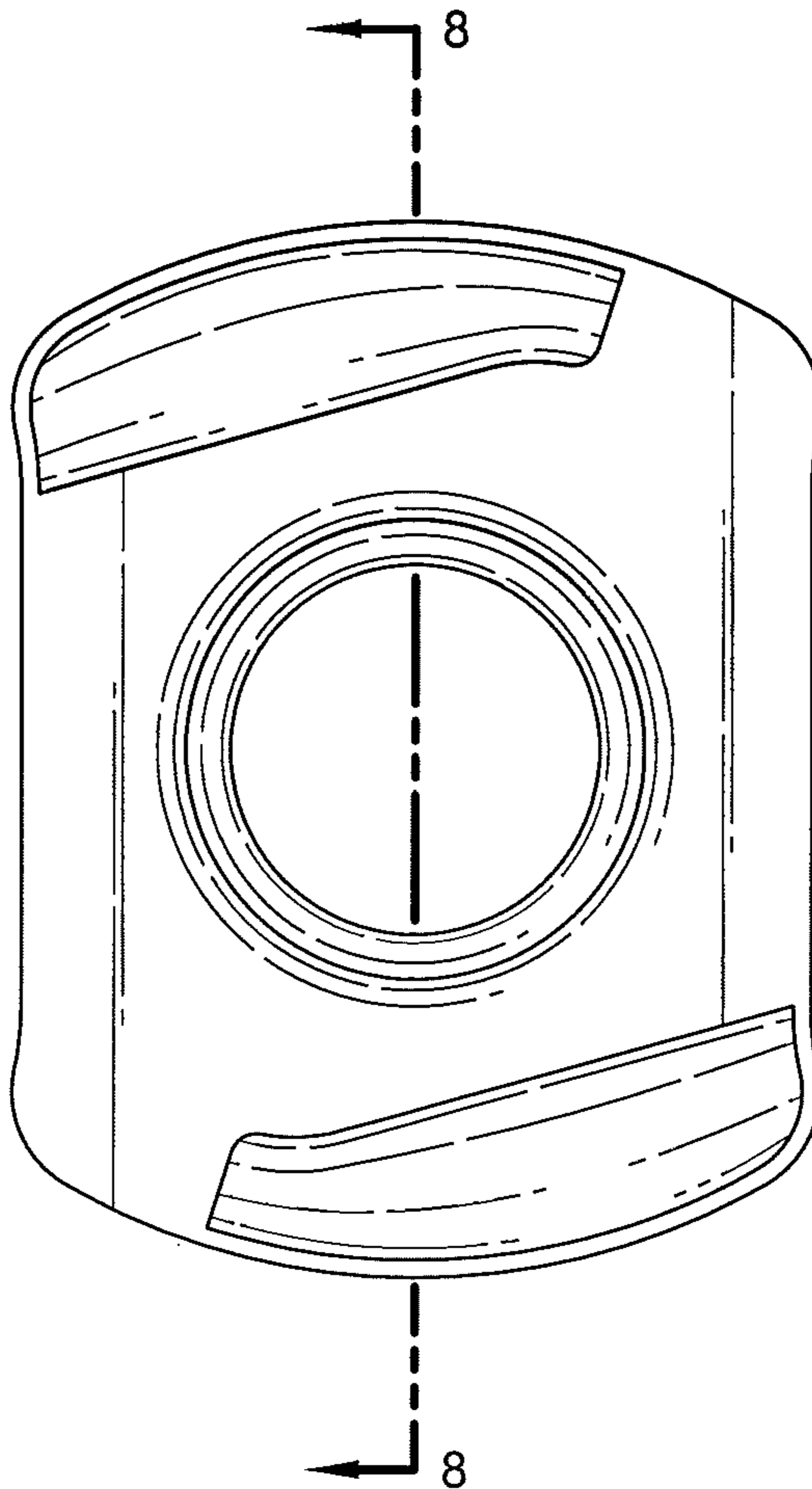


Fig. 3

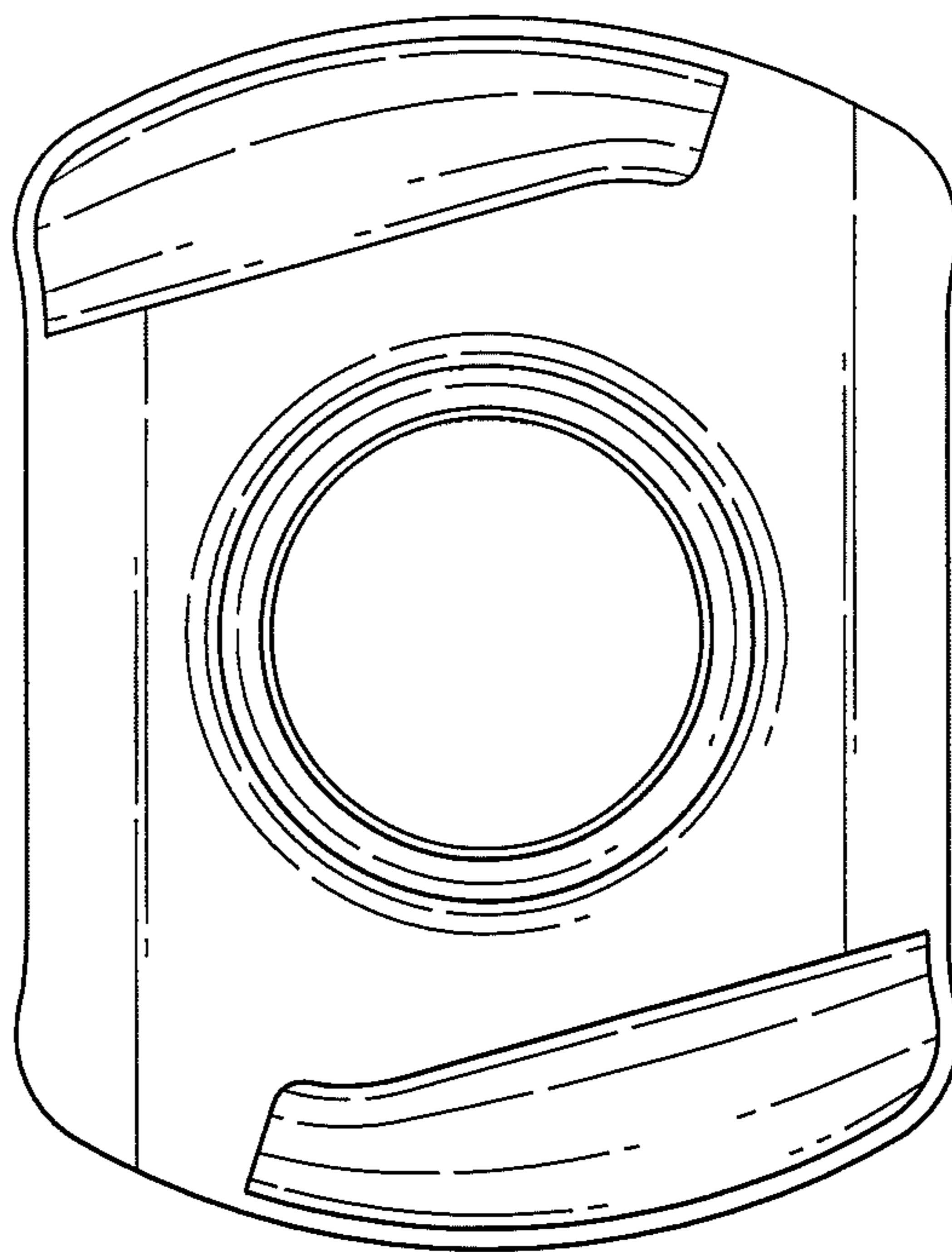


Fig. 4

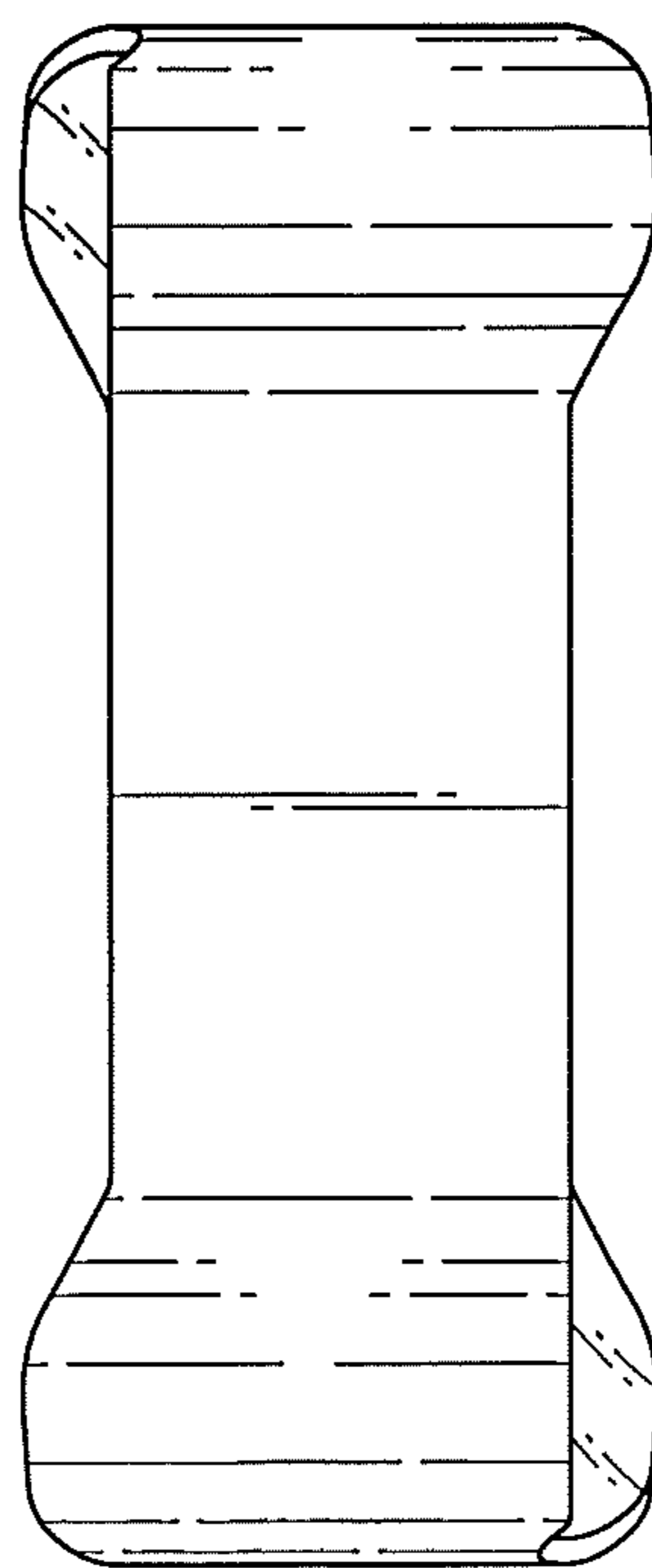


Fig. 5

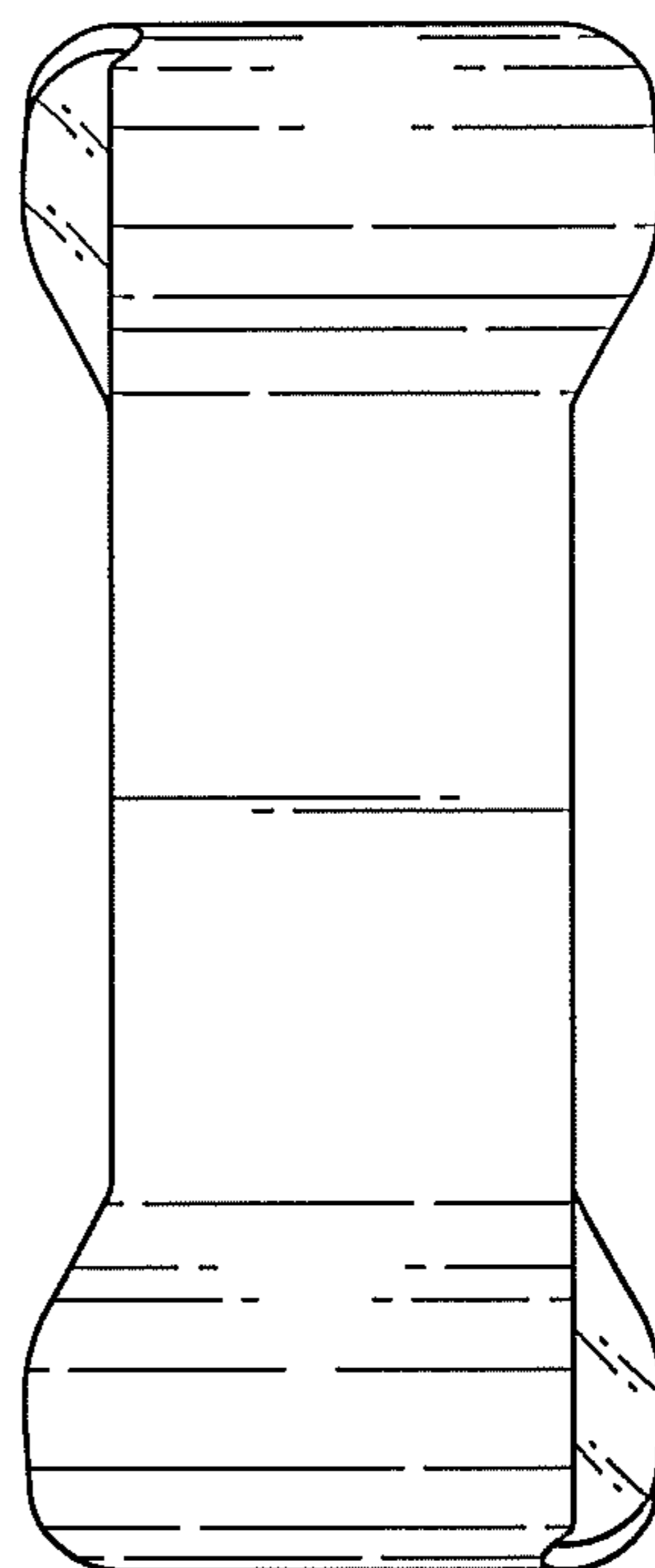


Fig. 6

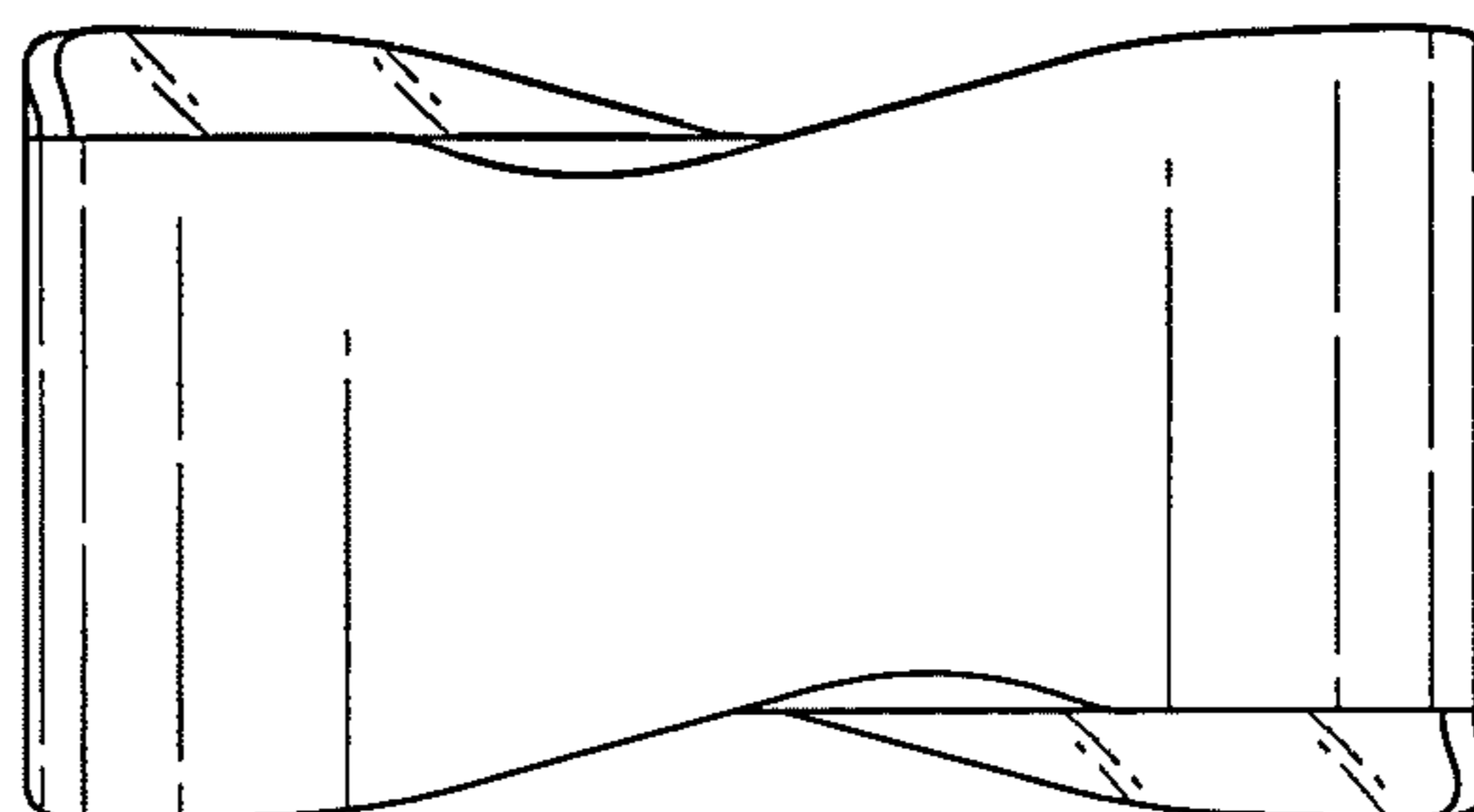


Fig. 7

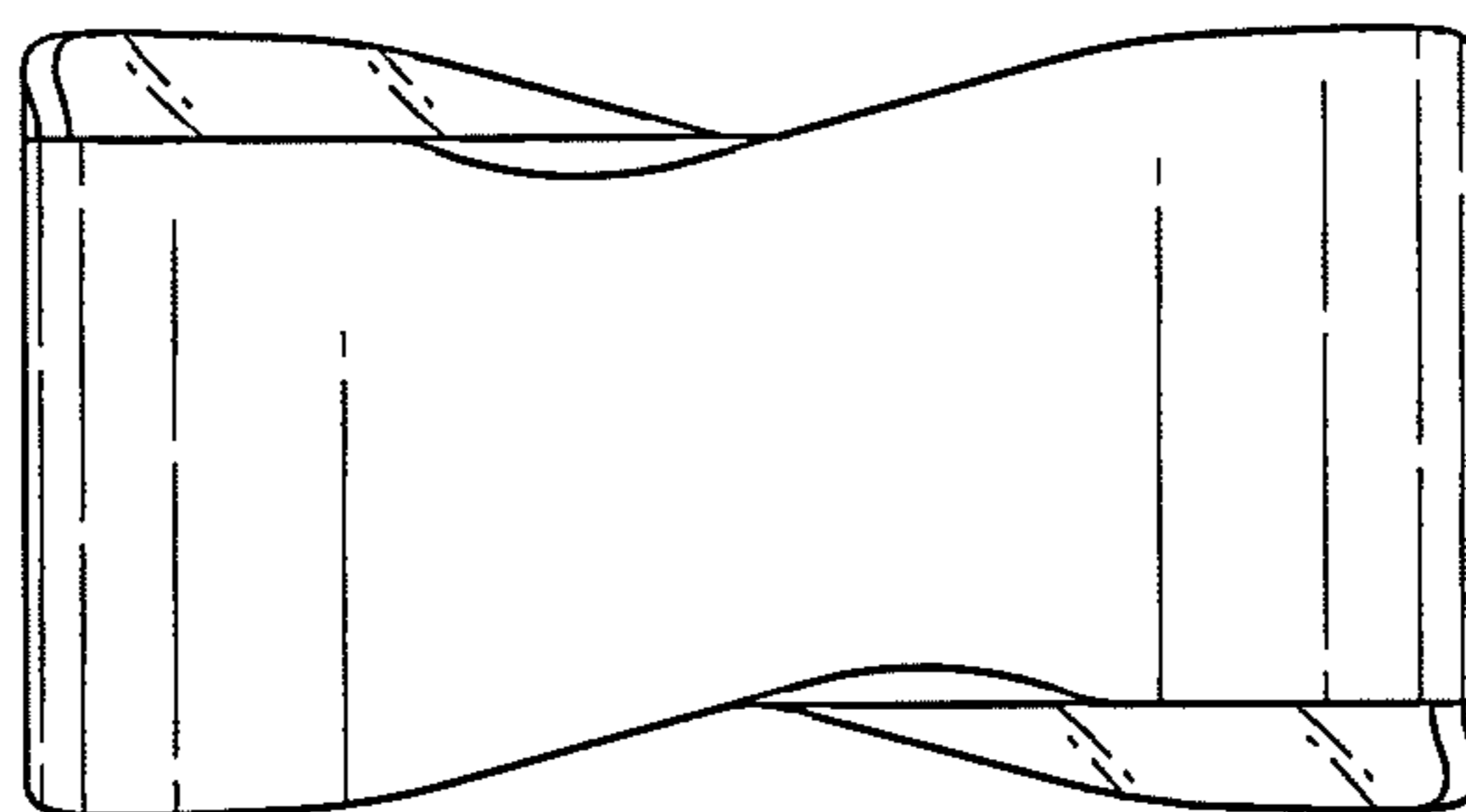


Fig. 8

