



US00D736840S

(12) **United States Design Patent**
Kirkland et al.

(10) **Patent No.:** **US D736,840 S**

(45) **Date of Patent:** **** *Aug. 18, 2015**

(54) **ADVANCED COMPOSITE MATERIAL
PRODUCTION MACHINE**

(71) Applicant: **AONIX ADVANCED MATERIALS
CORP., Ottawa (CA)**

(72) Inventors: **Derek Kirkland, Chelsea (CA); Jerome
Le Corvec, Ottawa (CA)**

(73) Assignee: **AONIX ADVANCED MATERIALS
CORP., Ottawa (CA)**

(*) Notice: This patent is subject to a terminal dis-
claimer.

(**) Term: **14 Years**

(21) Appl. No.: **29/497,379**

(22) Filed: **Jul. 23, 2014**

(30) **Foreign Application Priority Data**

Jan. 24, 2014 (CA) 154873

(51) **LOC (10) Cl.** **15-09**

(52) **U.S. Cl.**
USPC **D15/122**

(58) **Field of Classification Search**
USPC D15/122, 127, 130
See application file for complete search history.

(56) **References Cited**

U.S. PATENT DOCUMENTS

D122,752	S	*	9/1940	Monroe	D15/141
D265,912	S	*	8/1982	Frenkel	D15/138
D319,834	S	*	9/1991	Rutschle	D15/131
5,367,754	A	*	11/1994	Sheehan et al.	29/27 C
5,960,690	A	*	10/1999	Romi	82/133
D445,807	S	*	7/2001	Baulk	D15/127
D489,077	S	*	4/2004	Bloch	D15/127
D548,755	S	*	8/2007	Takeshima et al.	D15/122
D559,871	S	*	1/2008	Kittaka et al.	D15/122
D578,144	S	*	10/2008	Arisue et al.	D15/122
D638,449	S	*	5/2011	Schindler et al.	D15/122

D651,620	S	*	1/2012	Schindler et al.	D15/122
D654,099	S	*	2/2012	Schindler et al.	D15/122
D654,518	S	*	2/2012	Miyake et al.	D15/122
D658,686	S	*	5/2012	Mueller	D15/122
D671,969	S	*	12/2012	Yang et al.	D15/122
D676,882	S	*	2/2013	Mueller	D15/122
D680,563	S	*	4/2013	Yang et al.	D15/122
D694,787	S	*	12/2013	Mueller	D15/122
D696,315	S	*	12/2013	Schmid	D15/122
D700,638	S	*	3/2014	Shou et al.	D15/123
D711,947	S	*	8/2014	Son et al.	D15/199
D711,948	S	*	8/2014	Son et al.	D15/199
D718,795	S	*	12/2014	Schonherr et al.	D15/122
2002/0170689	A1	*	11/2002	Yamagami et al.	160/368.1
2013/0061726	A1	*	3/2013	Katsu et al.	82/1.11
2014/0069609	A1	*	3/2014	Caihuzac	165/67
2014/0174774	A1	*	6/2014	Okamoto et al.	173/20
2014/0319746	A1	*	10/2014	Kozawa	269/14
2014/0341669	A1	*	11/2014	Fleischer et al.	409/20
2014/0377028	A1	*	12/2014	Inaguchi	409/134

* cited by examiner

Primary Examiner — Patricia Palasik

(74) *Attorney, Agent, or Firm* — Richard A. Johnson;
Borden Ladner Gervais LLP

(57) **CLAIM**

The ornamental design for the advanced composite material production machine, as shown and described.

DESCRIPTION

FIG. 1 is a perspective view of the advanced composite material production machine;

FIG. 2 is a front view thereof;

FIG. 3 is a back view thereof;

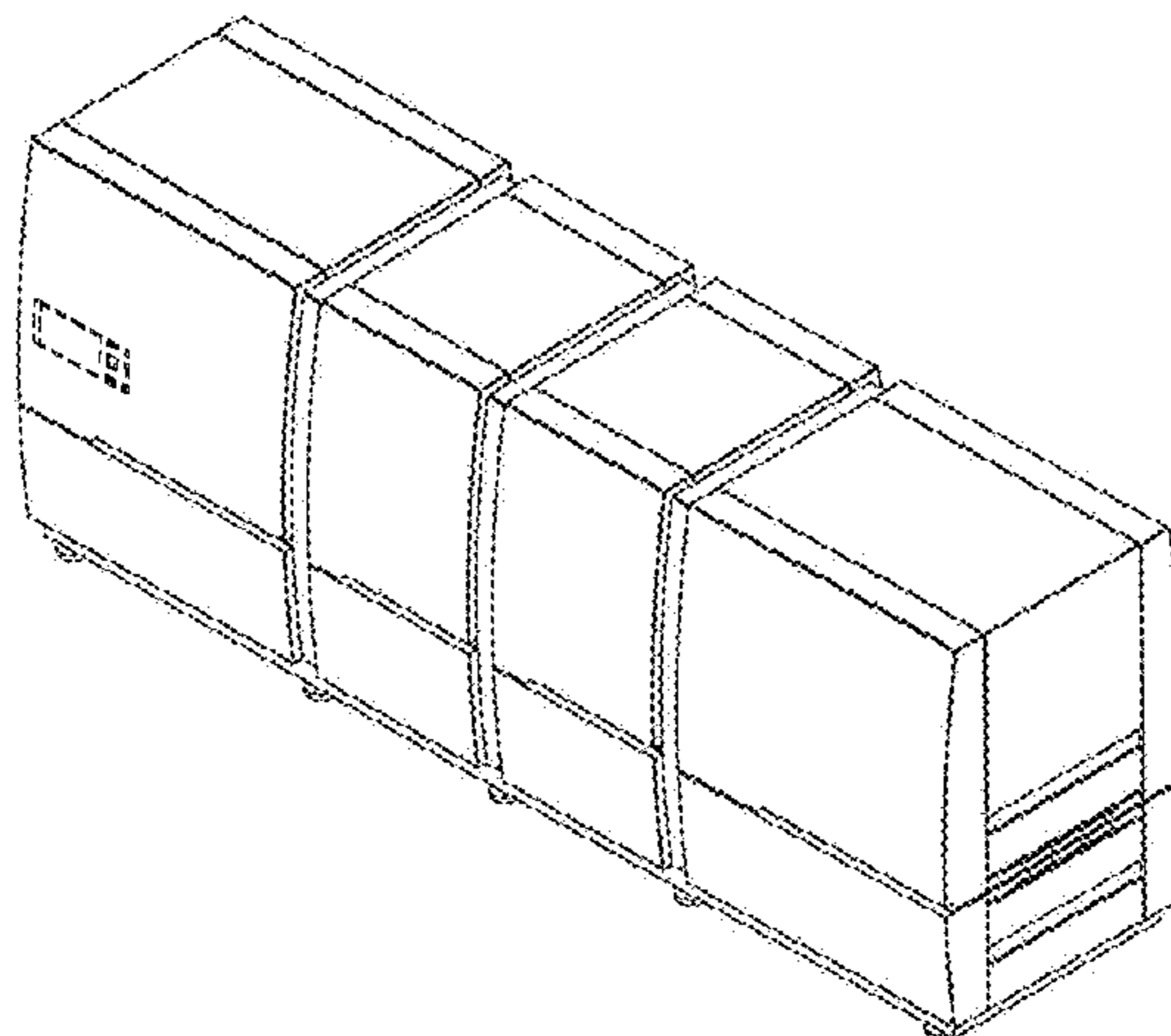
FIG. 4 is a left side view thereof;

FIG. 5 is a right side view thereof; and,

FIG. 6 is a top view thereof.

The design is the visual features of the advanced composite material production machine shown in solid lines in the drawings, whether those features are of shape, configuration, ornament, or pattern, or are a combination of those features. The portions of the article shown in broken lines do not form part of the design.

1 Claim, 3 Drawing Sheets



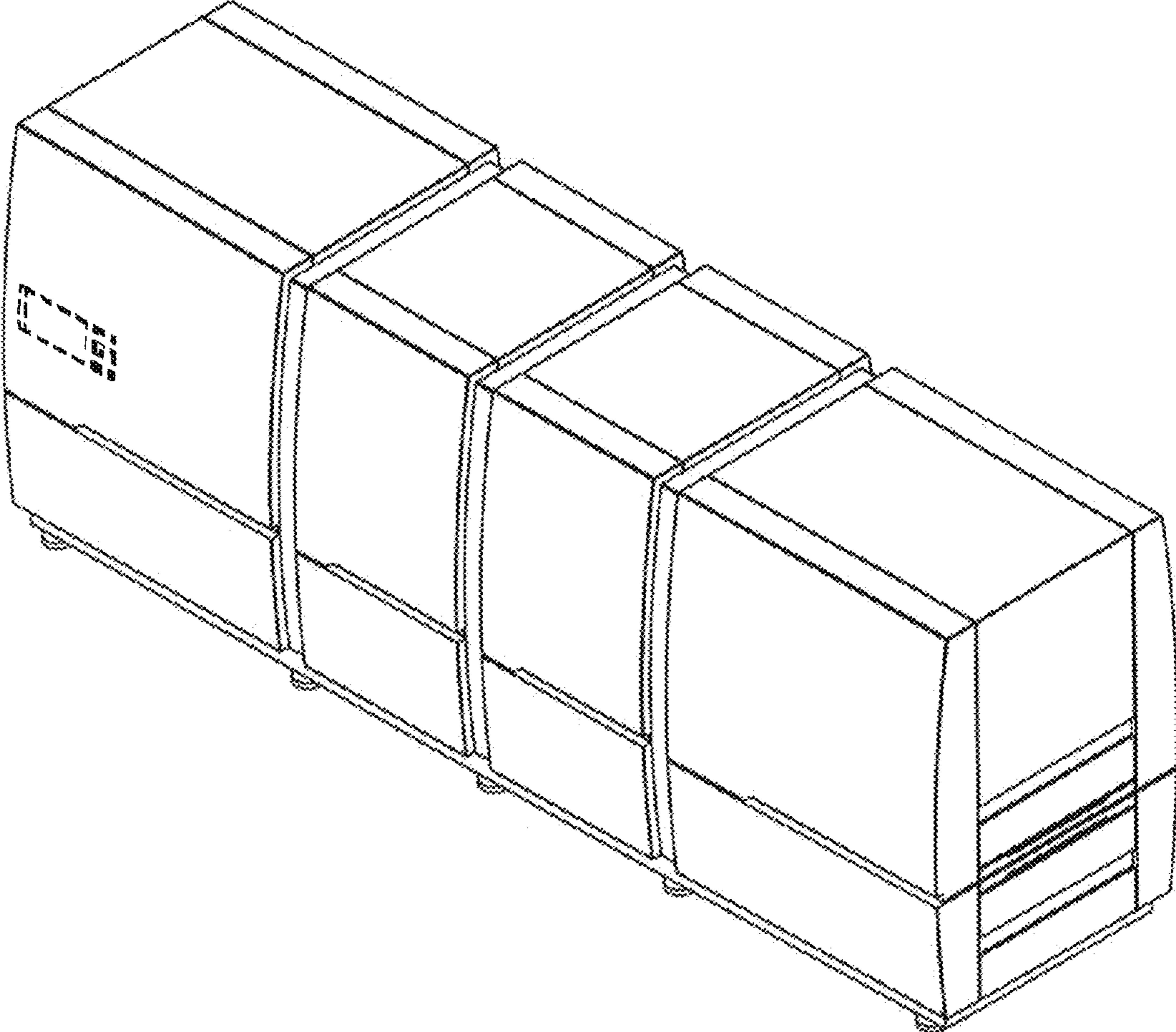


Figure 1

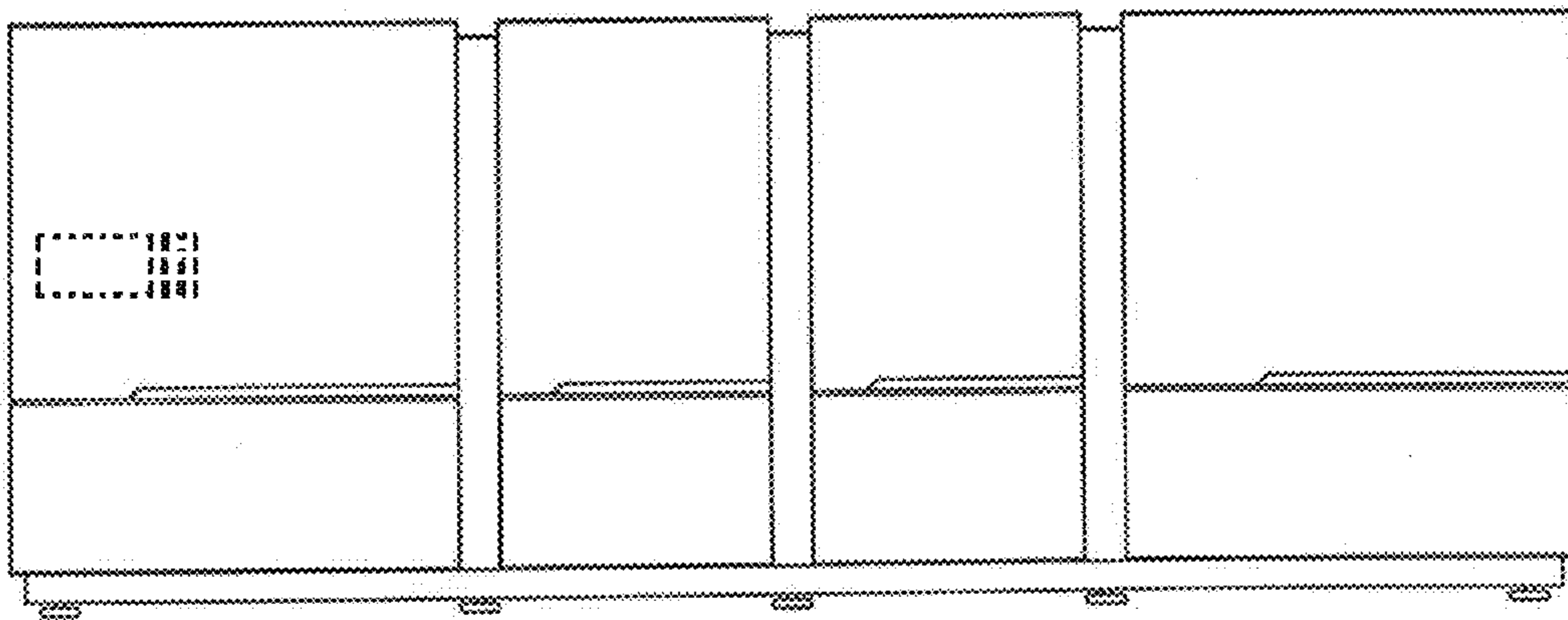


Figure 2

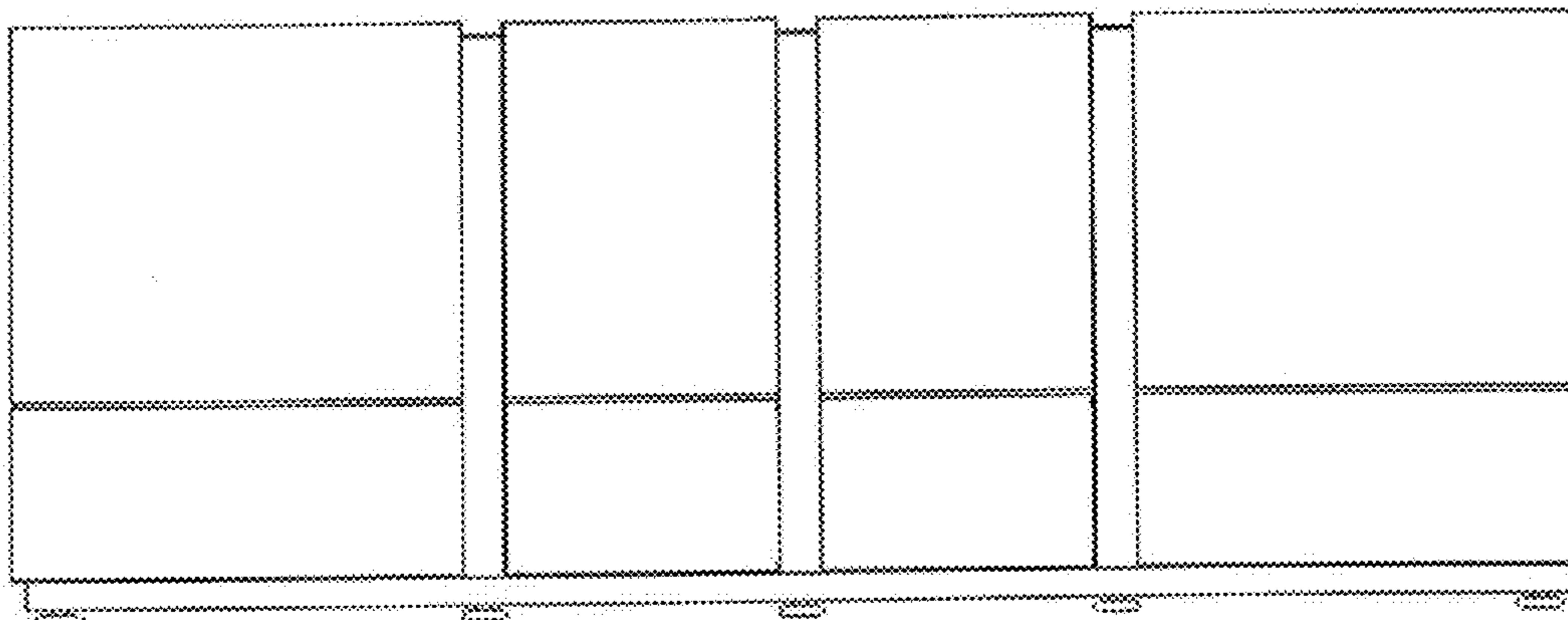


Figure 3

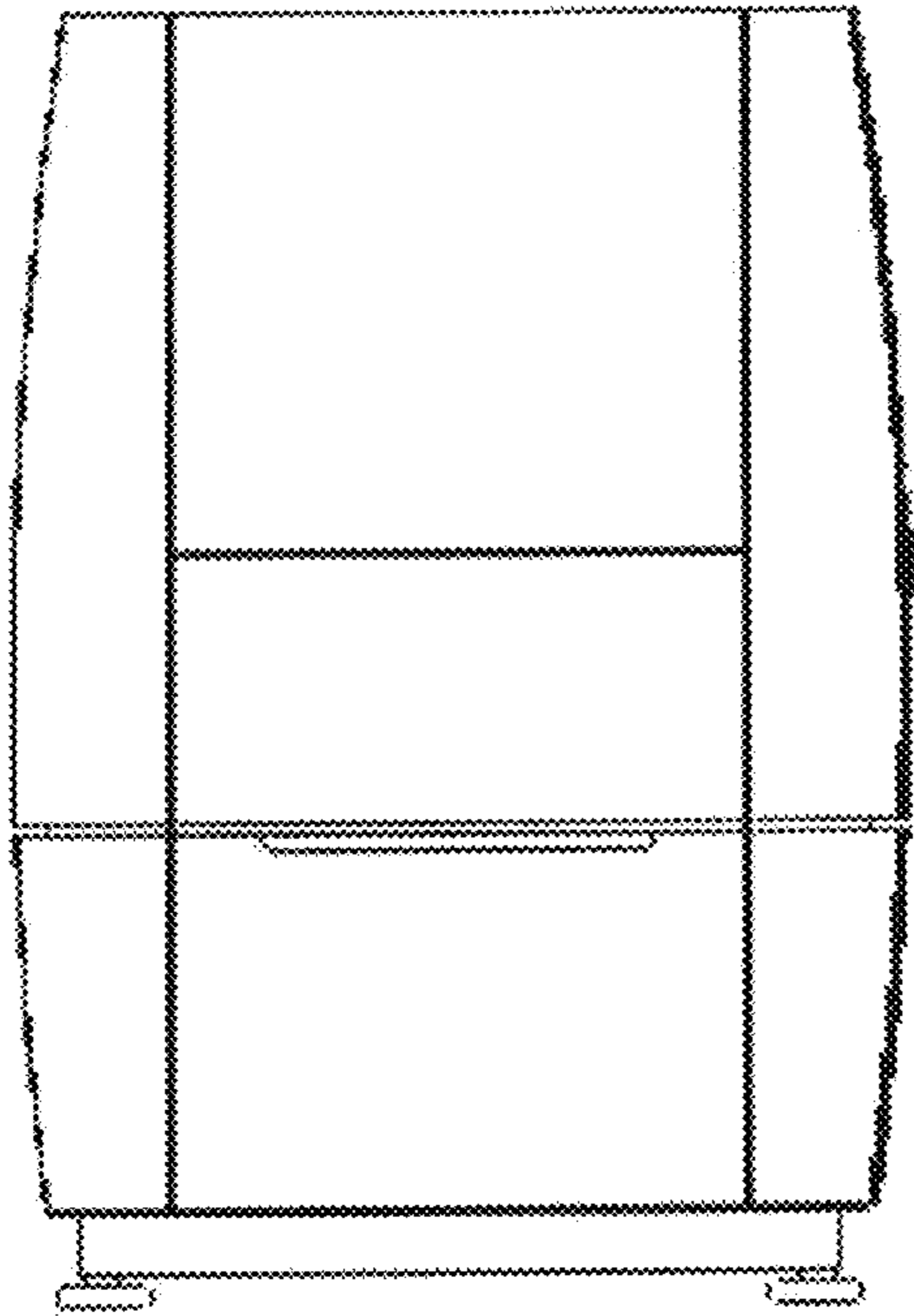


Figure 4

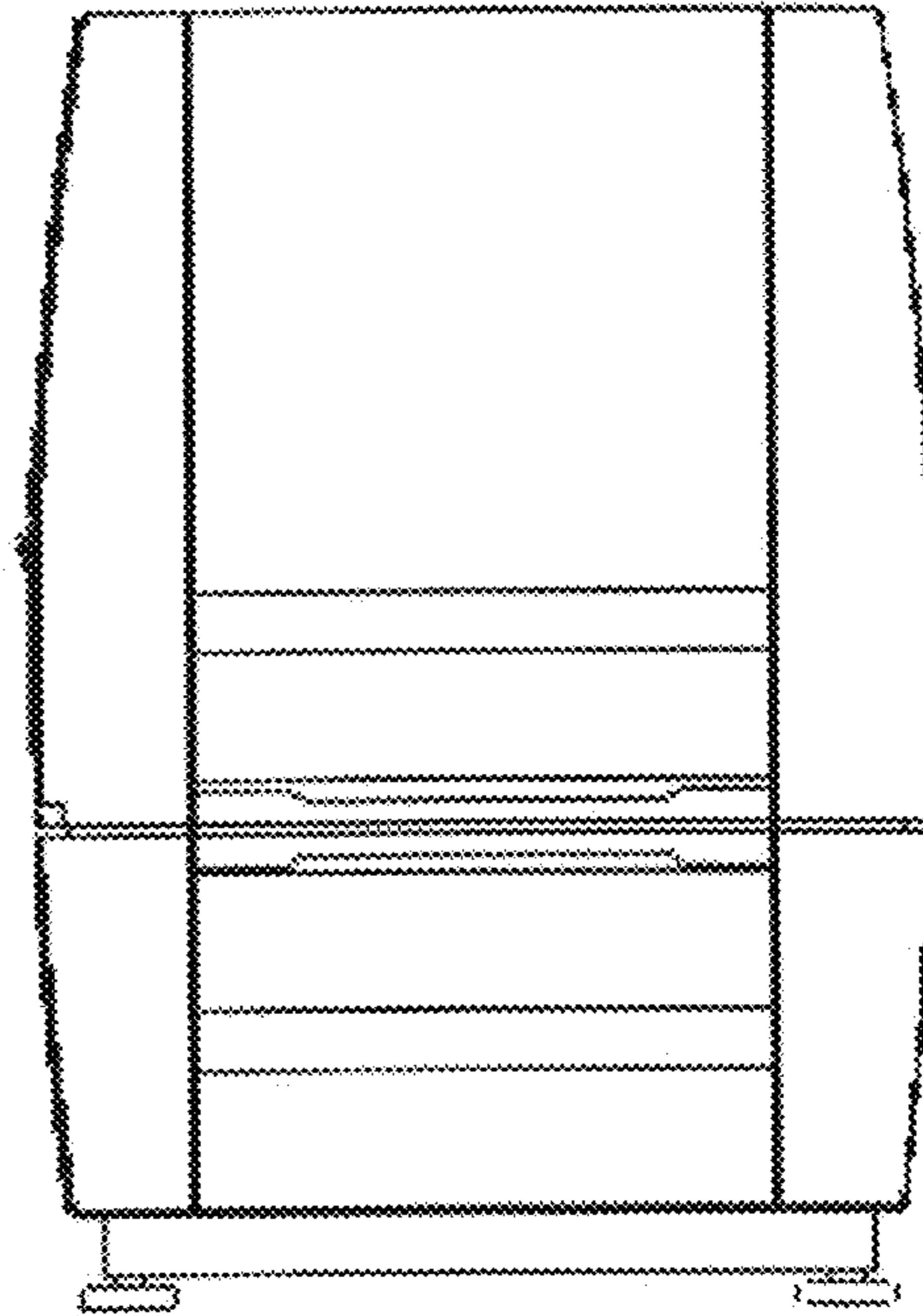


Figure 5

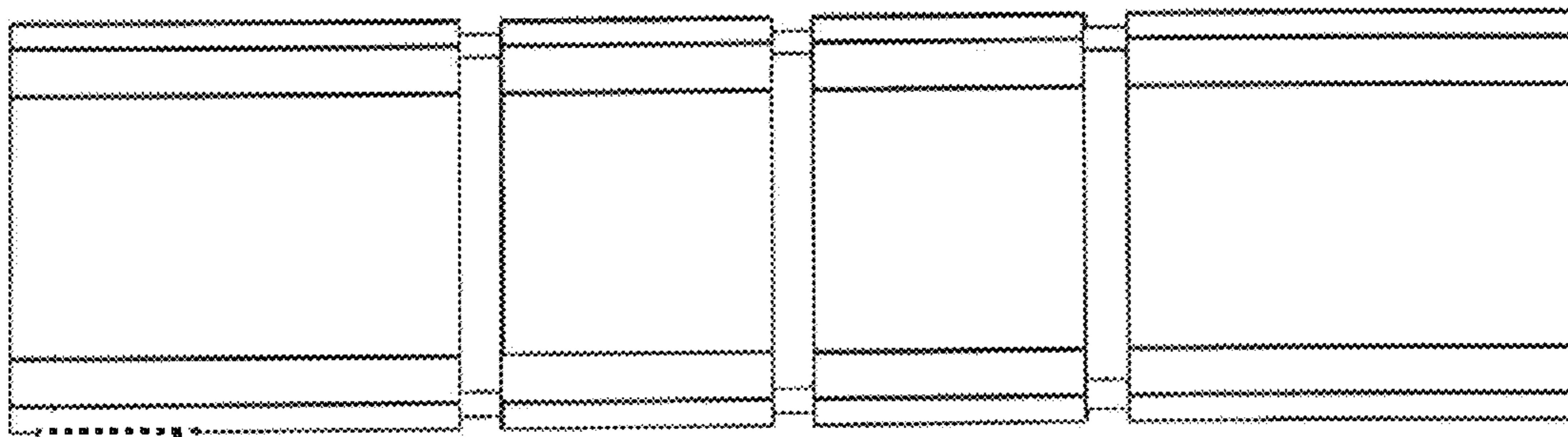


Figure 6